



US00D559499S

(12) **United States Design Patent**
Scott et al.

(10) **Patent No.:** **US D559,499 S**
(45) **Date of Patent:** **** Jan. 8, 2008**

(54) **CAP FOR ANCHOR ON TILT-UP CONCRETE SLABS**

7,065,925 B2 6/2006 Hansort
2002/0096619 A1 7/2002 Lancelot et al.

(75) Inventors: **Rob Leo Scott**, Houston, TX (US);
Marinus Hansort, Baarle nassau (NL)

* cited by examiner

(73) Assignee: **Universal Building Products, Inc.**,
Bellwood, IL (US)

Primary Examiner—Cynthia E. Ramirez
(74) *Attorney, Agent, or Firm*—L. Wayne White

(**) Term: **14 Years**

(57) **CLAIM**

(21) Appl. No.: **29/259,074**

The ornamental design for a cap for anchor on tilt-up concrete slabs, as shown and described.

(22) Filed: **May 3, 2006**

DESCRIPTION

(51) **LOC (8) Cl.** **12-05**

FIG. 1 is perspective view of a cap for anchor on tilt-up concrete slabs showing our new design;

(52) **U.S. Cl.** **D34/35**

FIG. 2 is an exploded view thereof;

(58) **Field of Classification Search** D34/28,

FIG. 3 is another exploded view thereof;

D34/35, 33; 294/82.35, 75, 82, 34, 82.36;

FIG. 4 is a perspective view of one of the halves of the cap;

52/125.5, 125.6

See application file for complete search history.

FIG. 5 is an elevational view of the front thereof;

(56) **References Cited**

FIG. 6 is a bottom plan view thereof;

U.S. PATENT DOCUMENTS

FIG. 7 is a side elevational view thereof;

4,367,892 A * 1/1983 Holt 294/89

FIG. 8 is another perspective view thereof;

4,383,674 A * 5/1983 Fricker 249/177

FIG. 9 is a top plan view thereof;

4,821,994 A * 4/1989 Fricker 249/91

FIG. 10 is a top perspective view of the cover;

4,930,269 A 6/1990 Kelly et al.

FIG. 11 is a bottom perspective thereof;

5,014,473 A 5/1991 Kelly et al.

FIG. 12 is a top plan view thereof; and,

5,094,047 A 3/1992 Kelly et al.

FIG. 13 is a bottom plan view thereof.

5,226,265 A 7/1993 Kelly et al.

The different parts of the anchor cap are being shown separated in FIGS. 4 through 13 for convenience of illustration.

D344,836 S * 3/1994 Huffman D34/35

5,651,911 A * 7/1997 Pennypacker 249/94

D396,925 S * 8/1998 Kessler et al. D34/27

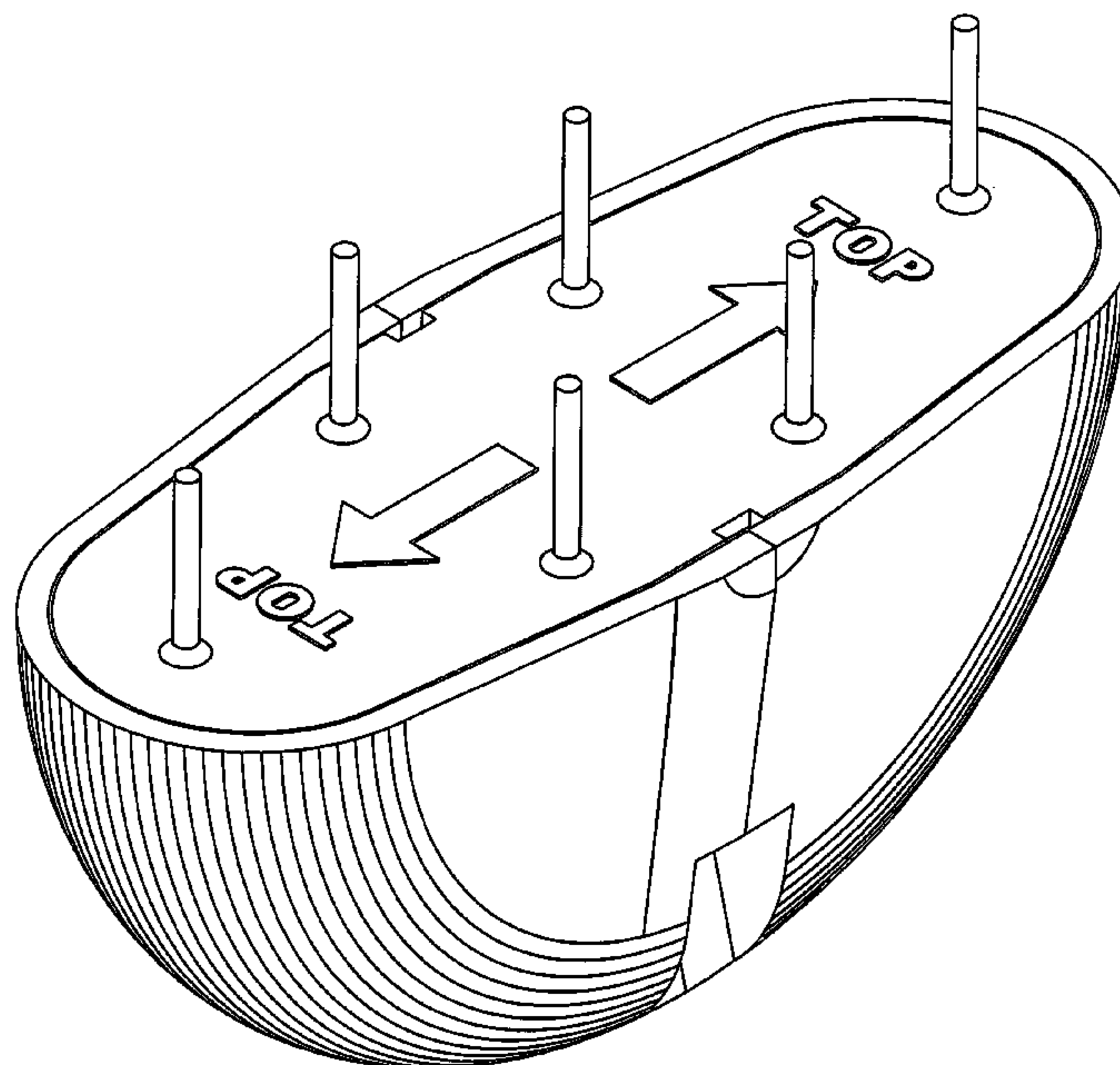
6,550,834 B2 * 4/2003 Fromelius 294/89

6,575,424 B2 * 6/2003 Domizio 249/91

6,769,663 B2 * 8/2004 Kelly et al. 249/91

7,032,354 B2 4/2006 Hansort

1 Claim, 5 Drawing Sheets



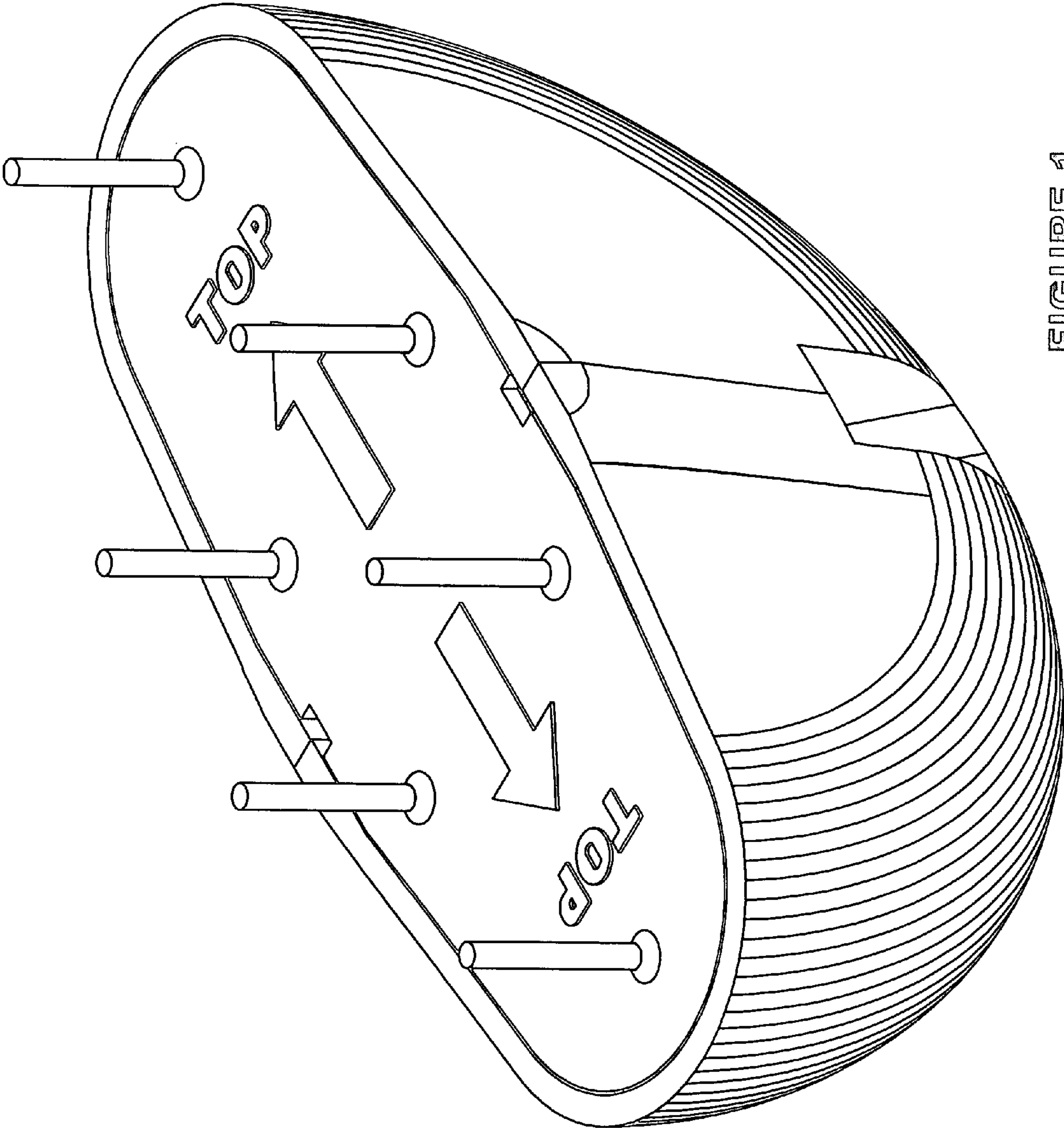


FIGURE 1

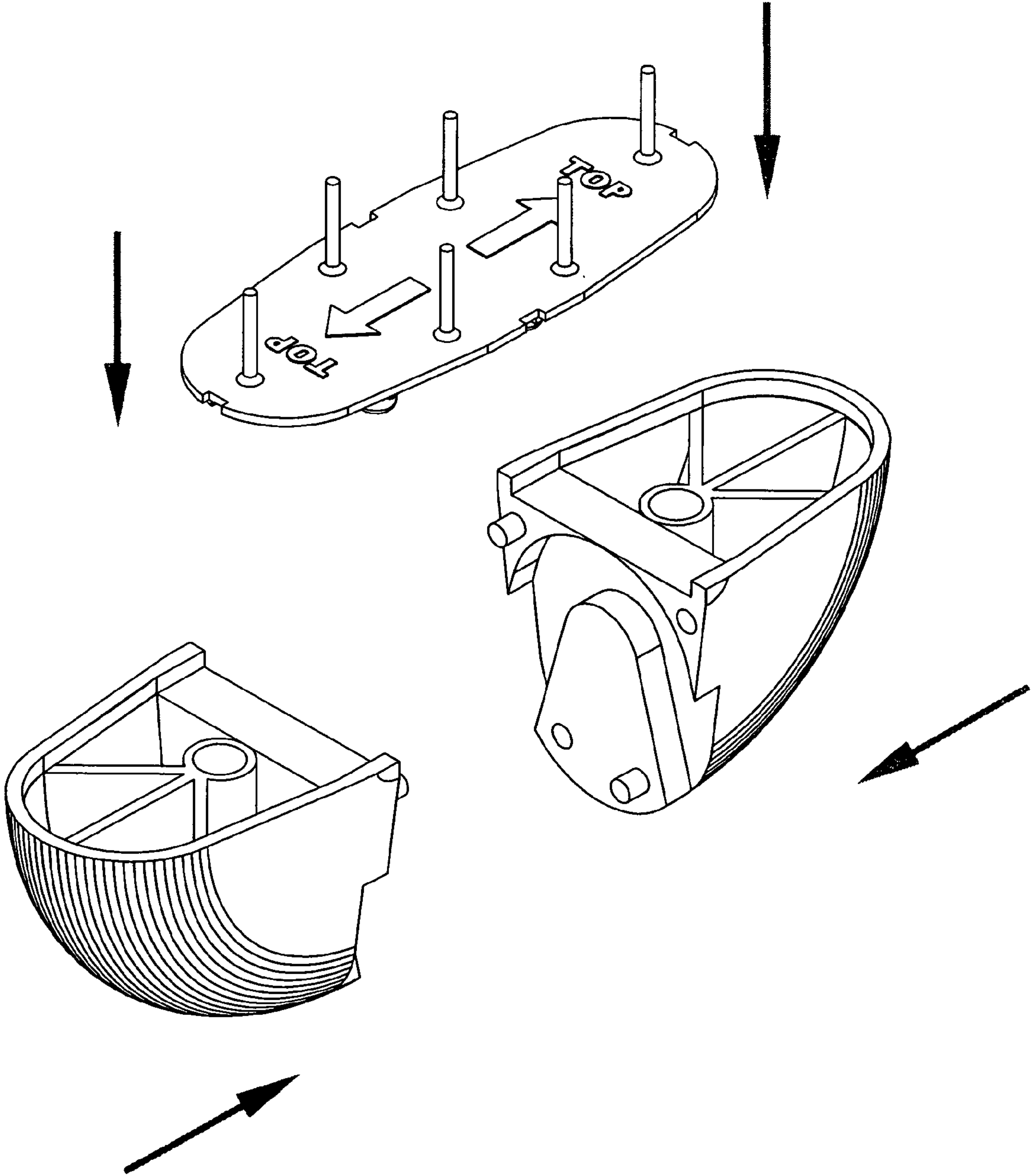


FIGURE 2

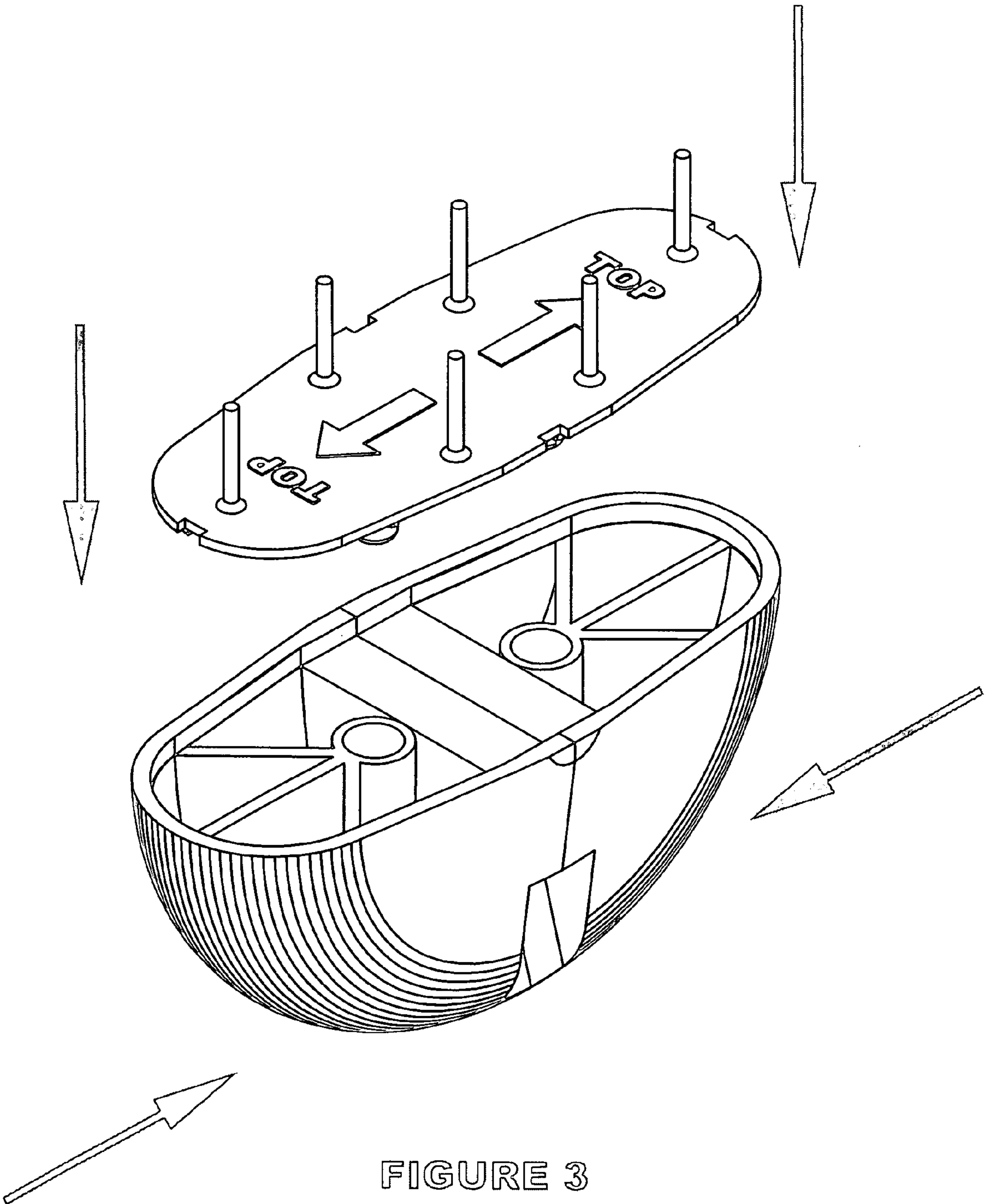


FIGURE 3

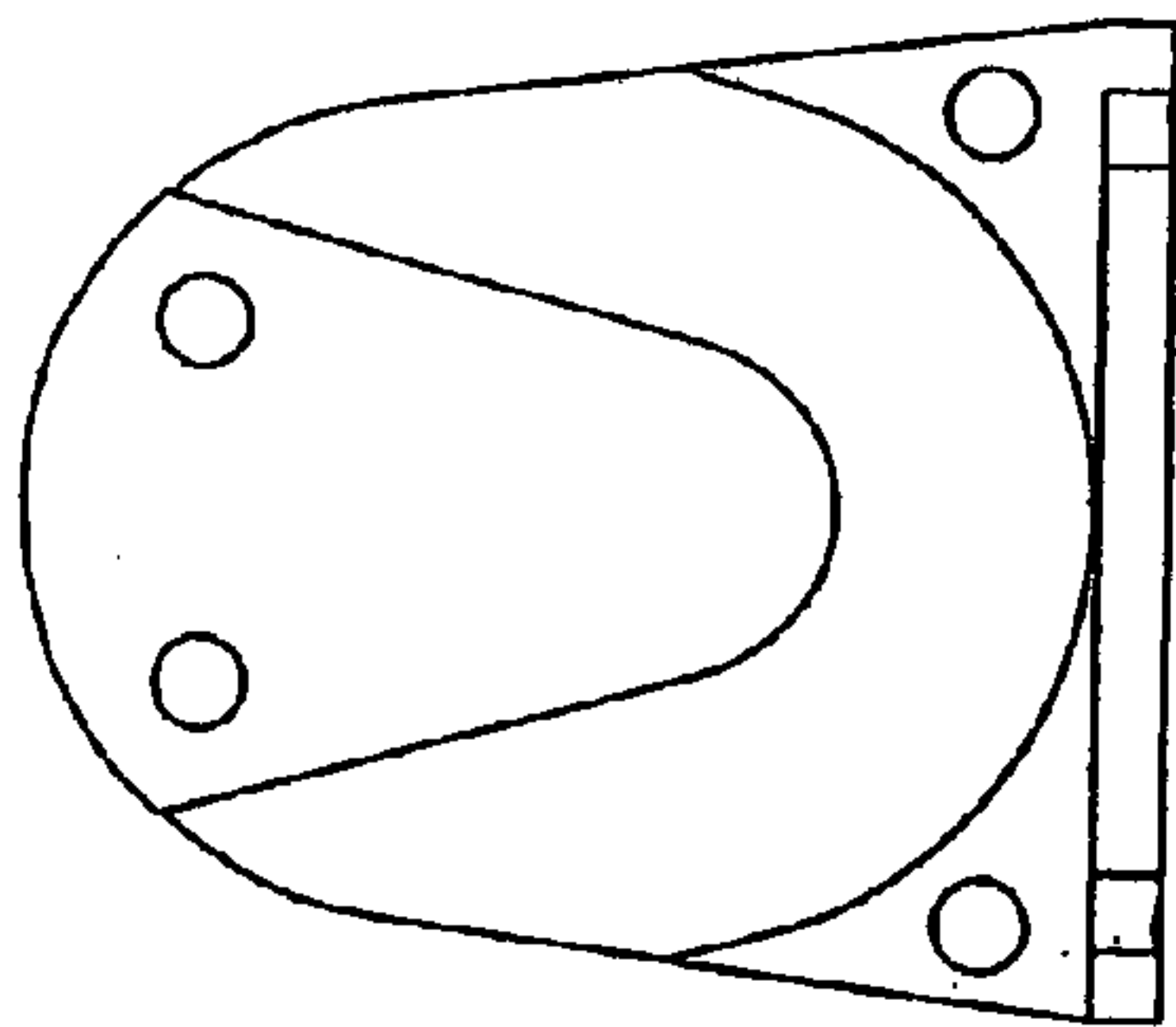


FIGURE 5

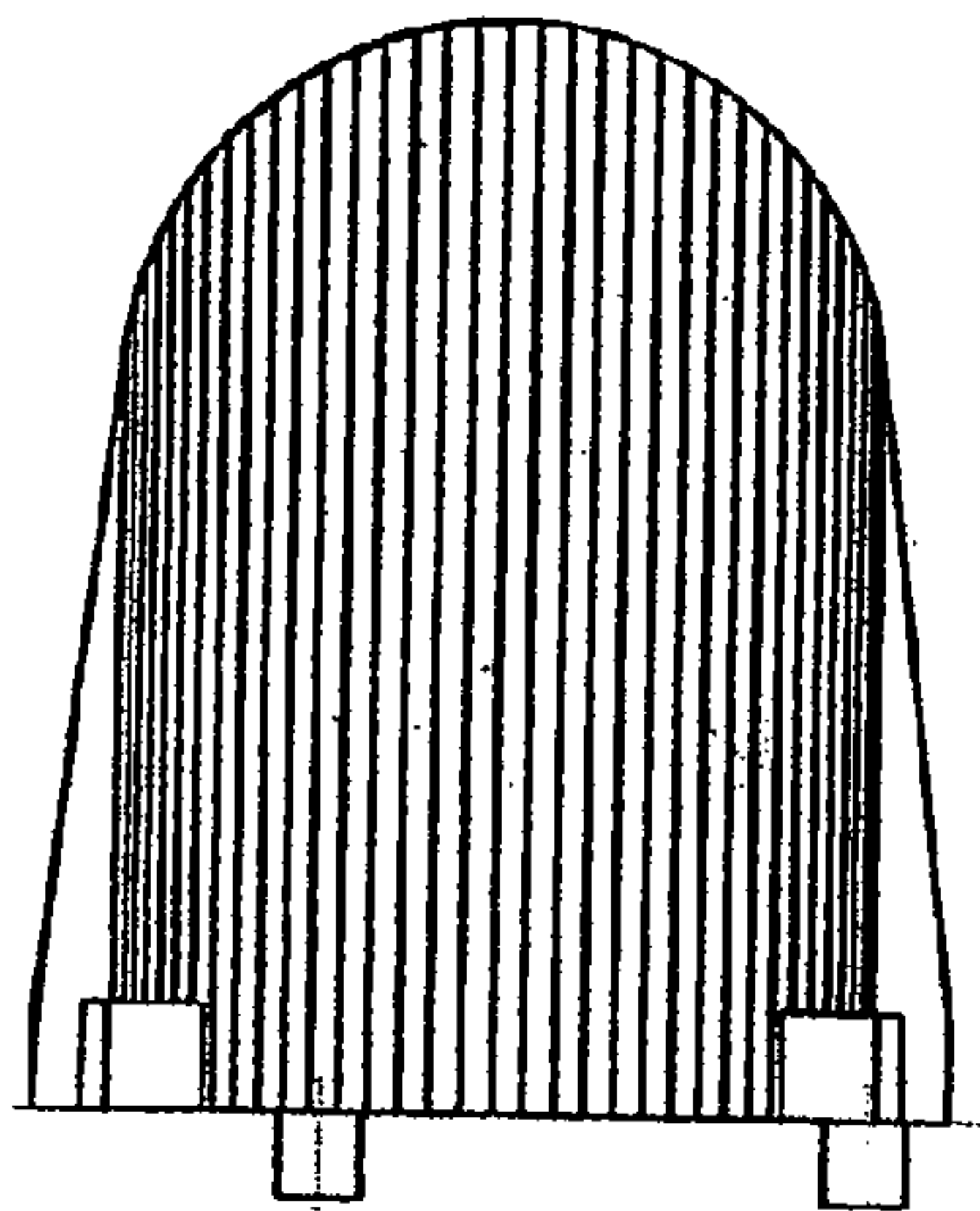


FIGURE 6

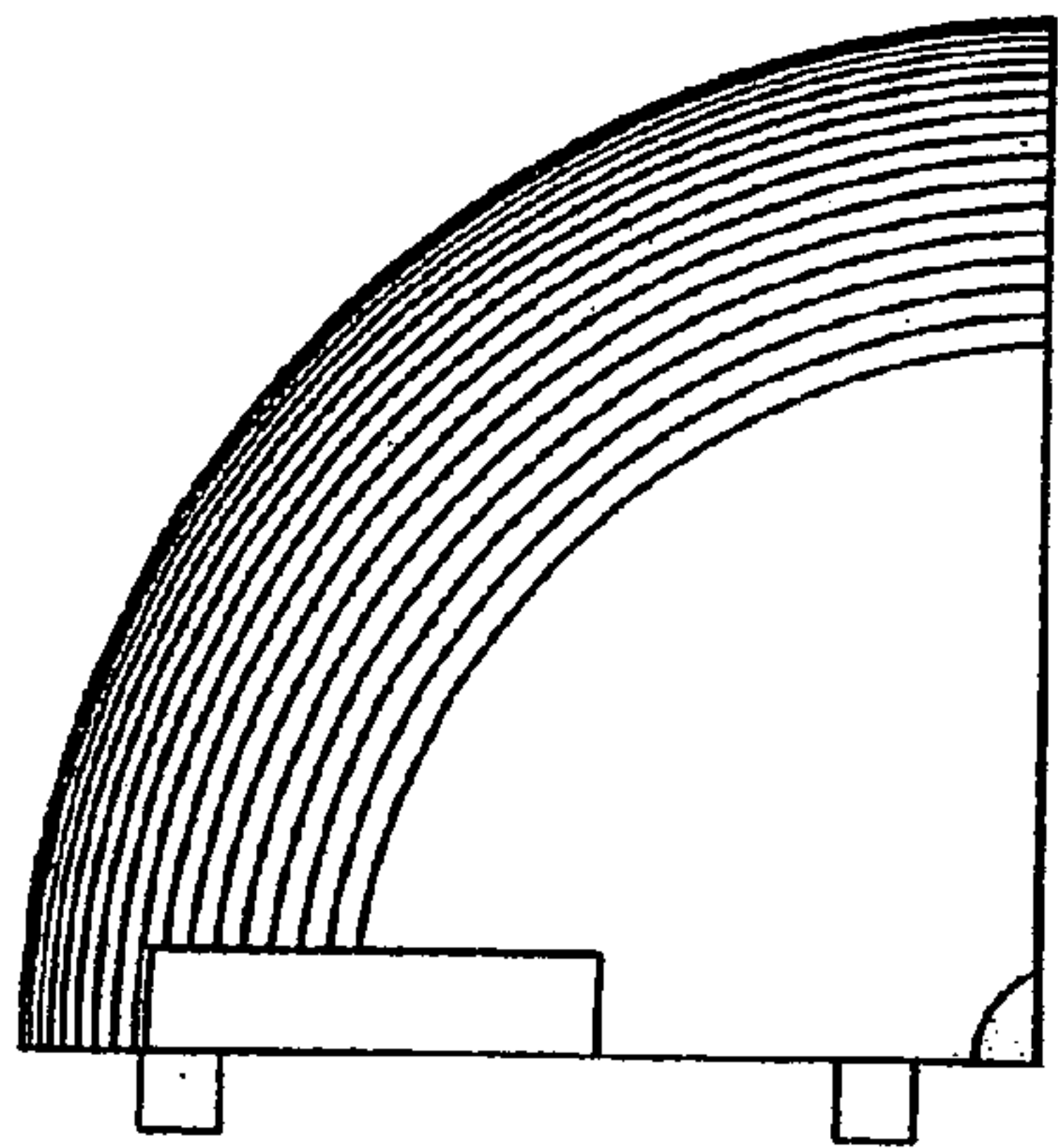


FIGURE 7

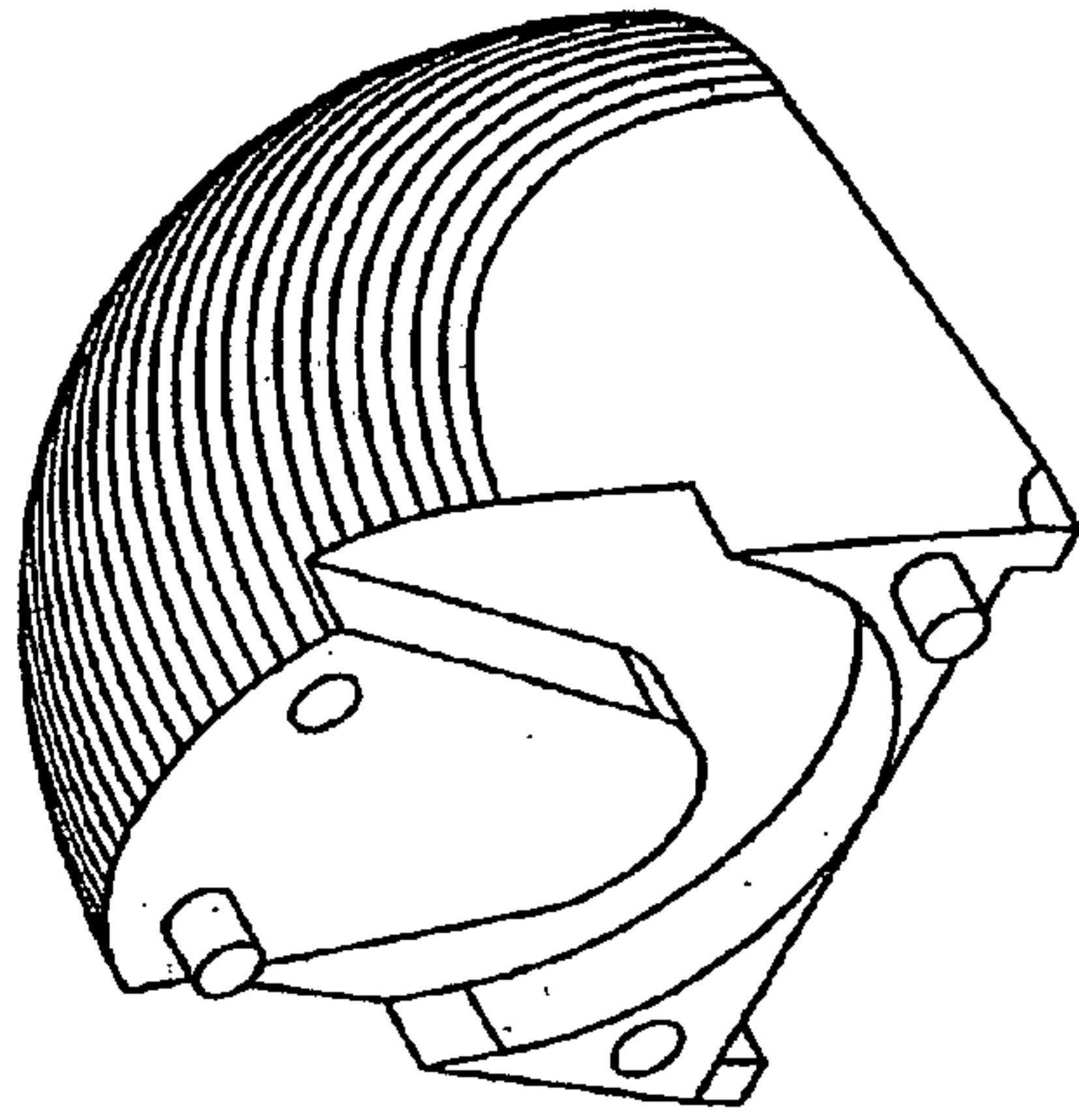


FIGURE 4

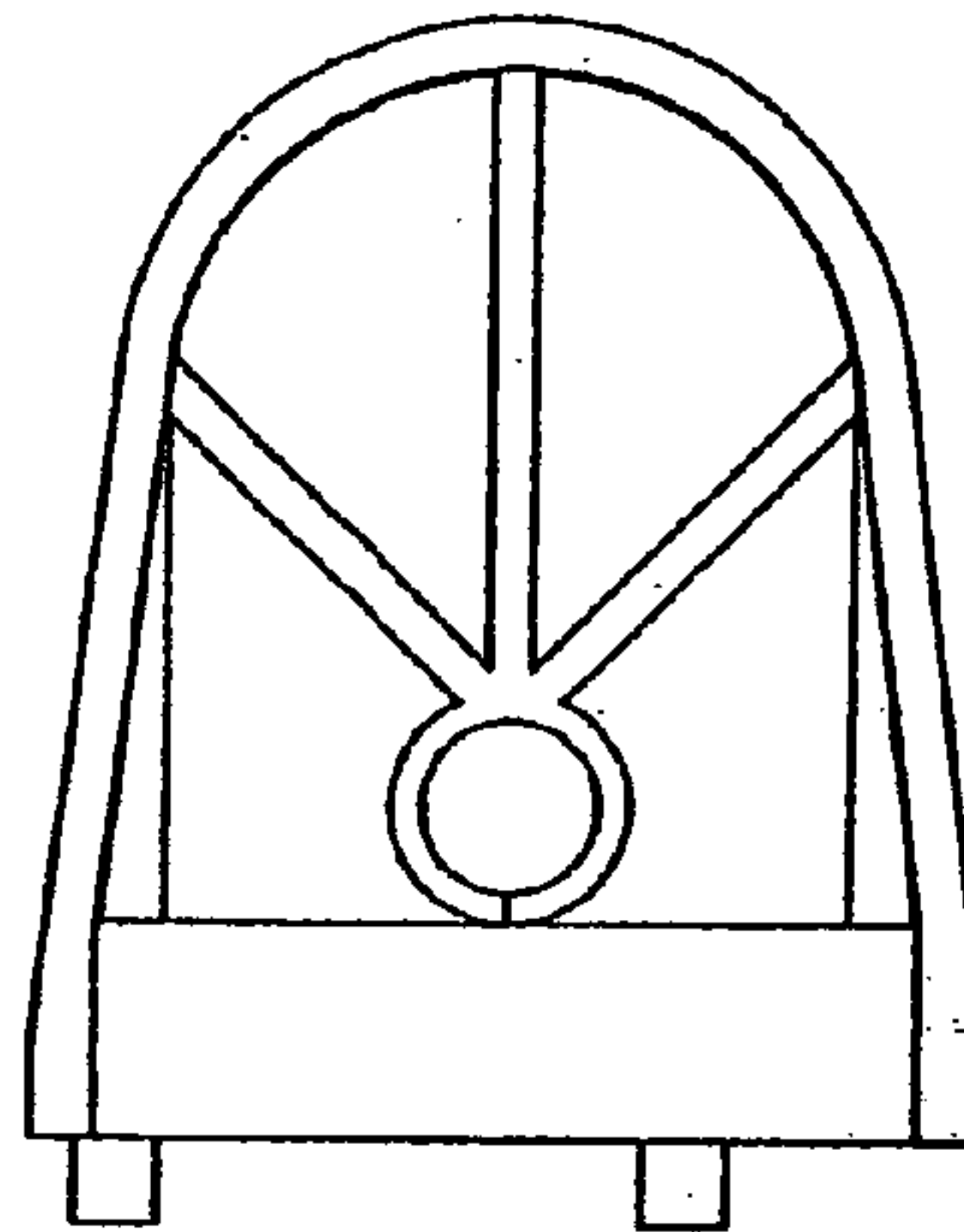


FIGURE 9

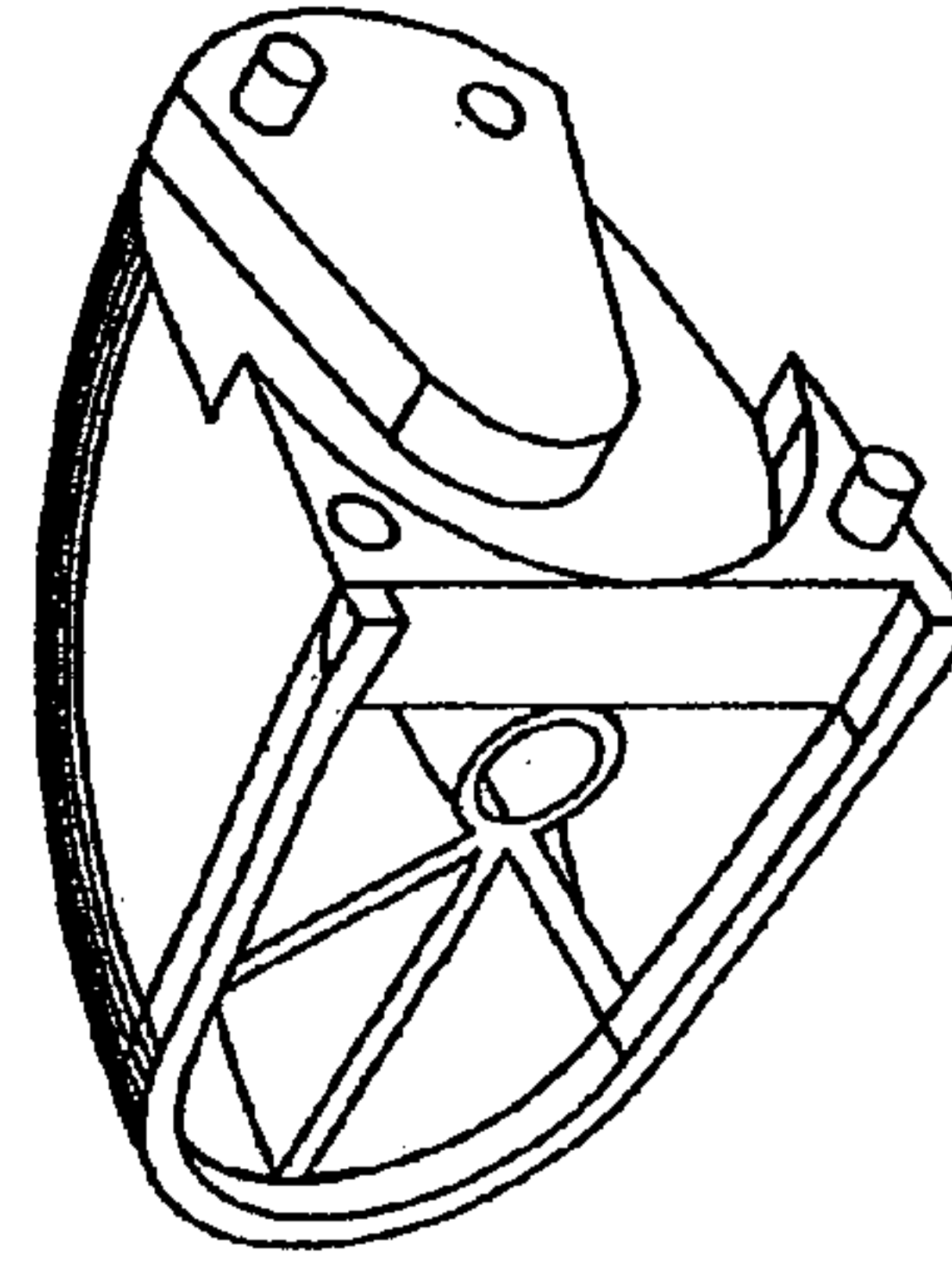


FIGURE 8

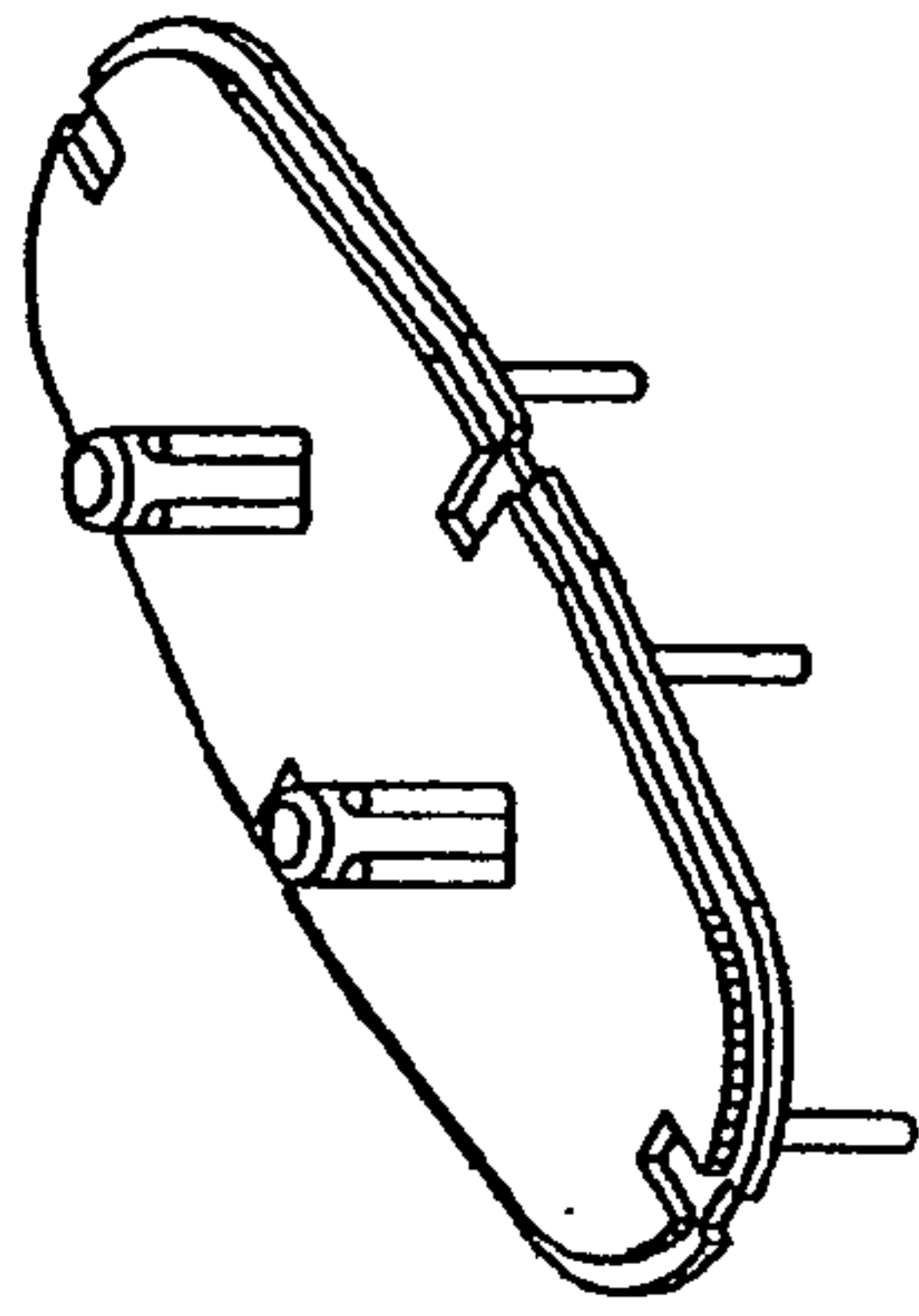


FIGURE 11

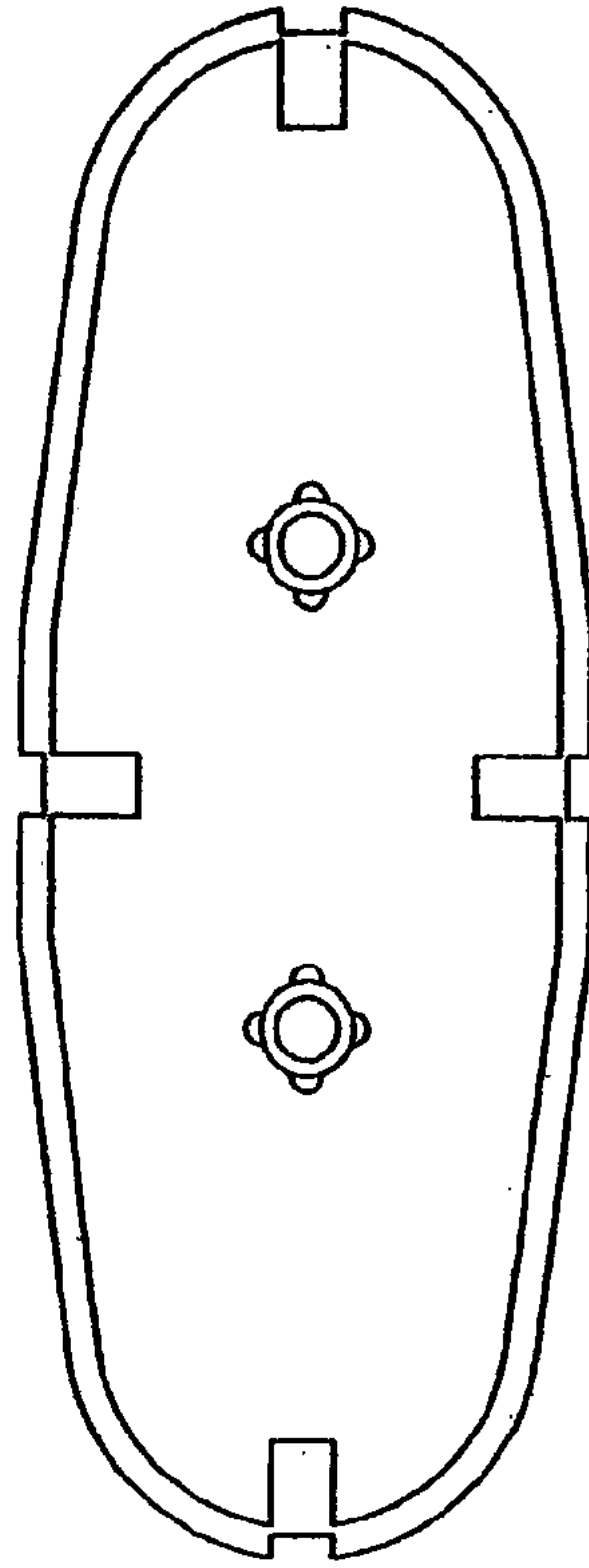


FIGURE 13

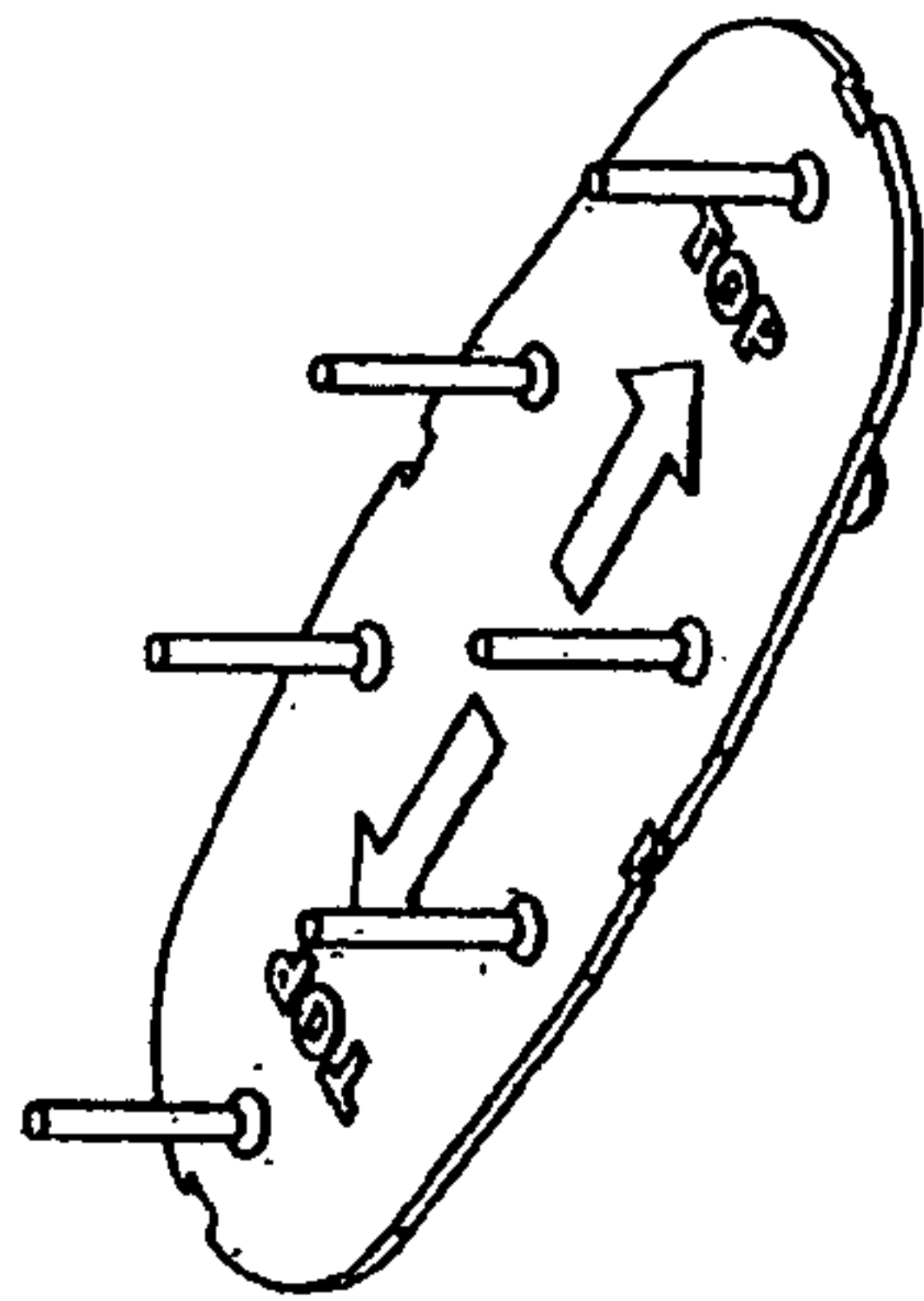


FIGURE 10

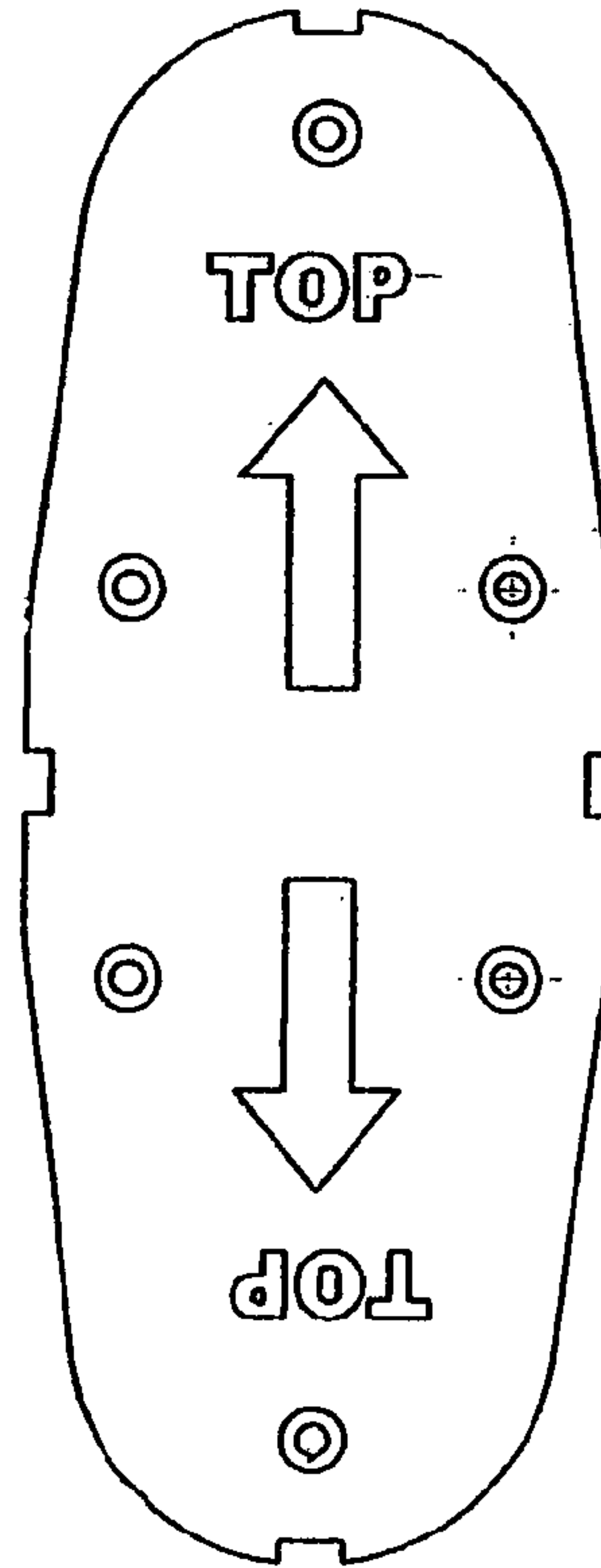


FIGURE 12