



US00D559498S

(12) **United States Design Patent** (10) **Patent No.:** **US D559,498 S**  
**Ruppert et al.** (45) **Date of Patent:** **\*\* Jan. 8, 2008**

(54) **WALKIE STACKER POWER UNIT**

(75) Inventors: **Adam M. Ruppert**, Wapakoneta, OH (US); **Benjamin J. Purrenhage**, Troy, OH (US); **Roger J. Quinlan, Jr.**, Troy, OH (US)

(73) Assignee: **Crown Equipment Corporation**, New Bremen, OH (US)

(\*\*) Term: **14 Years**

(21) Appl. No.: **29/249,298**

(22) Filed: **Sep. 29, 2006**

(51) **LOC (8) Cl.** ..... **12-05**

(52) **U.S. Cl.** ..... **D34/34**

(58) **Field of Classification Search** ..... D34/34;  
180/89.12, 299, 325; 280/43.12; 187/222,  
187/224

See application file for complete search history.

(56) **References Cited**

**U.S. PATENT DOCUMENTS**

3,181,640	A *	5/1965	Goodacre et al. ....	180/19.2
3,190,994	A *	6/1965	Becker et al. ....	200/61.85
3,243,194	A *	3/1966	Trusock .....	280/43.12
3,261,617	A *	7/1966	Becker et al. ....	280/43.12
D239,165	S *	3/1976	Mono .....	D34/34
D370,761	S *	6/1996	Stark .....	D34/34
5,590,735	A *	1/1997	Cartier .....	180/210
D386,876	S *	11/1997	Niebuhr .....	D34/34
5,964,313	A *	10/1999	Guy .....	180/332
6,125,971	A *	10/2000	Niebuhr et al. ....	187/231
6,199,665	B1	3/2001	Eilerman et al.	
D445,553	S	7/2001	Pulskamp et al.	
D447,612	S *	9/2001	Niebuhr .....	D34/34
D499,521	S *	12/2004	Swetish et al. ....	D34/35
D539,503	S *	3/2007	Quinlan et al. ....	D34/35

**OTHER PUBLICATIONS**

Crown specification brochure No. SF14105 Rev. May 2004 entitled Crown W Series, Heavy-Duty Walkie Stacker, New Bremen, Ohio.

Crown specification brochure No. SF14107 Rev. Jun. 2003 entitled Crown Series WB, Counterbalanced Walkies, New Bremen, Ohio.  
Crown specification brochure No. 14106 Rev. Jun. 2003 entitled Crown Series WR, Heavy Duty Walkie Reach Stackers, New Bremen, Ohio.

Crown specification brochure No. SF12895 Rev. Jun. 2006 entitled Crown RR 5200 Series, Narrow-Aisle Reach Truck, New Bremen, Ohio.

\* cited by examiner

*Primary Examiner*—Cynthia E. Ramirez

(74) *Attorney, Agent, or Firm*—Stevens & Showalter LLP

(57) **CLAIM**

The ornamental design for a walkie stacker power unit, as shown.

**DESCRIPTION**

FIG. 1 is a perspective view of a first embodiment of a walkie stacker power unit as seen from the top, rear and right sides;

FIG. 2 is a top plan view thereof;

FIG. 3 is a right side elevational view thereof, the left side elevational view being a mirror image;

FIG. 4 is a rear elevational view thereof;

FIG. 5 is a front elevational view thereof;

FIG. 6 is a perspective view of a second embodiment of a walkie stacker power unit as seen from the top, rear and right sides;

FIG. 7 is a top plan view thereof;

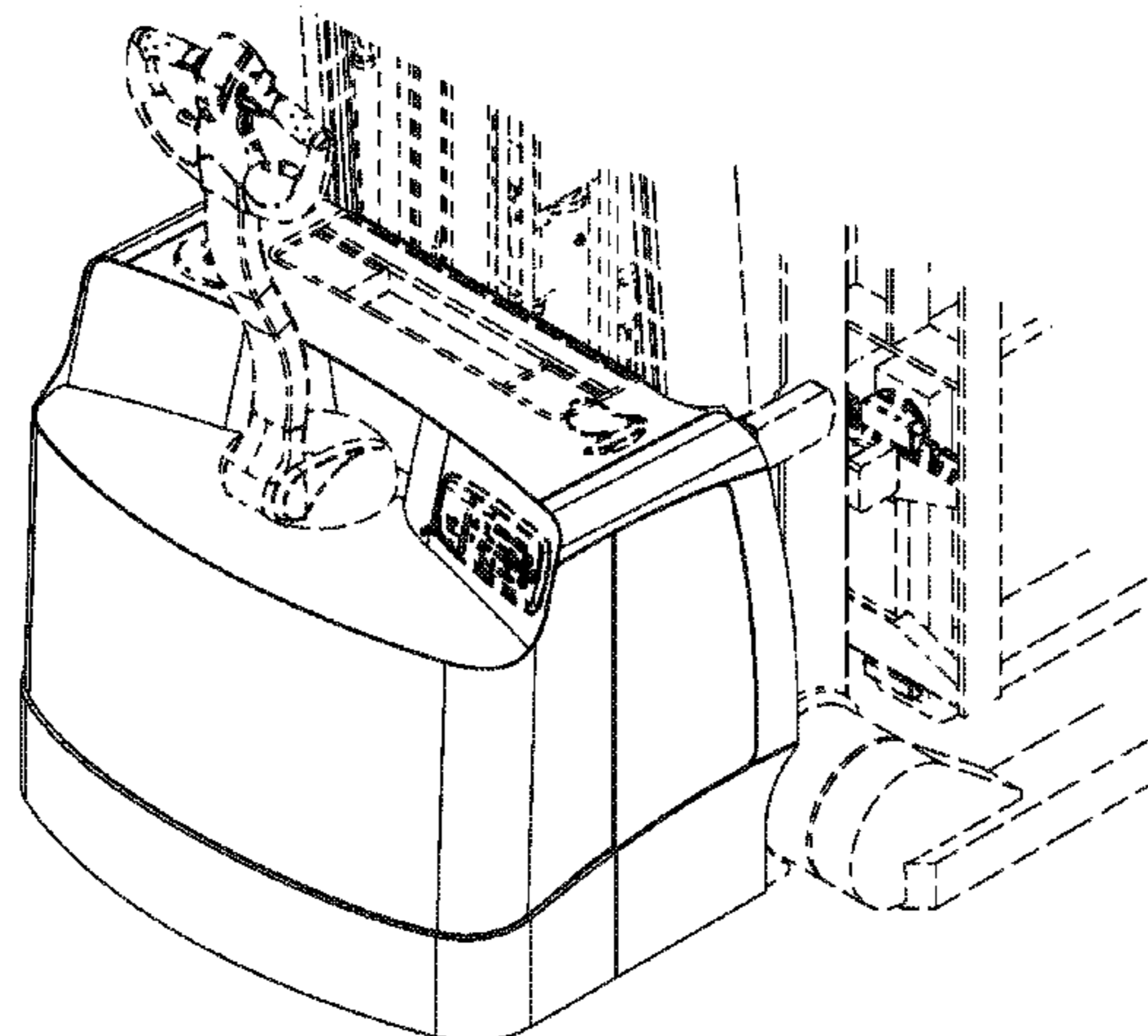
FIG. 8 is a right side elevational view thereof, the left side elevational view being a mirror image;

FIG. 9 is a rear elevational view thereof; and,

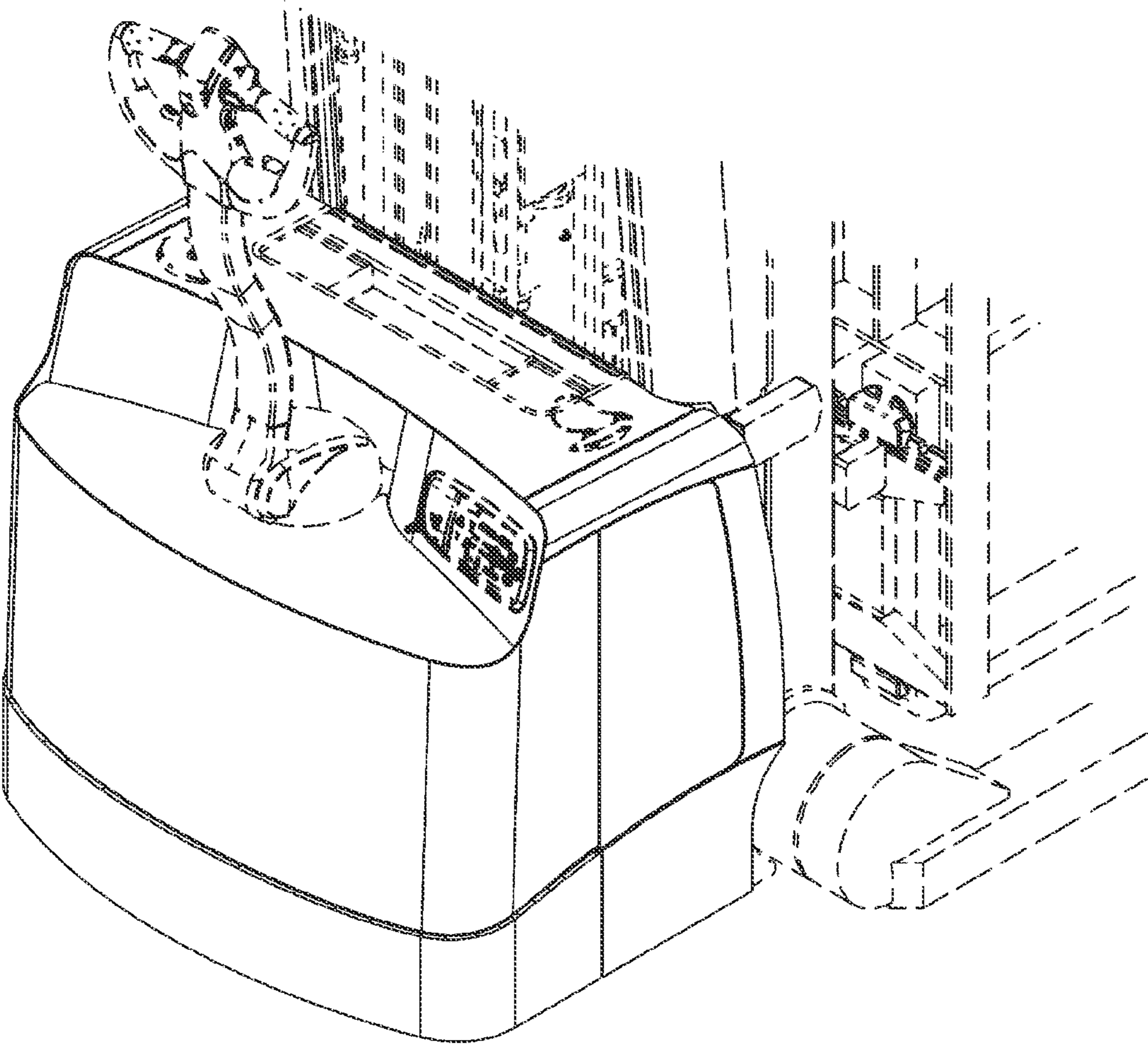
FIG. 10 is a front elevational view thereof.

The broken lines showing in the figures are for illustrative purposes only and form no part of the claimed design.

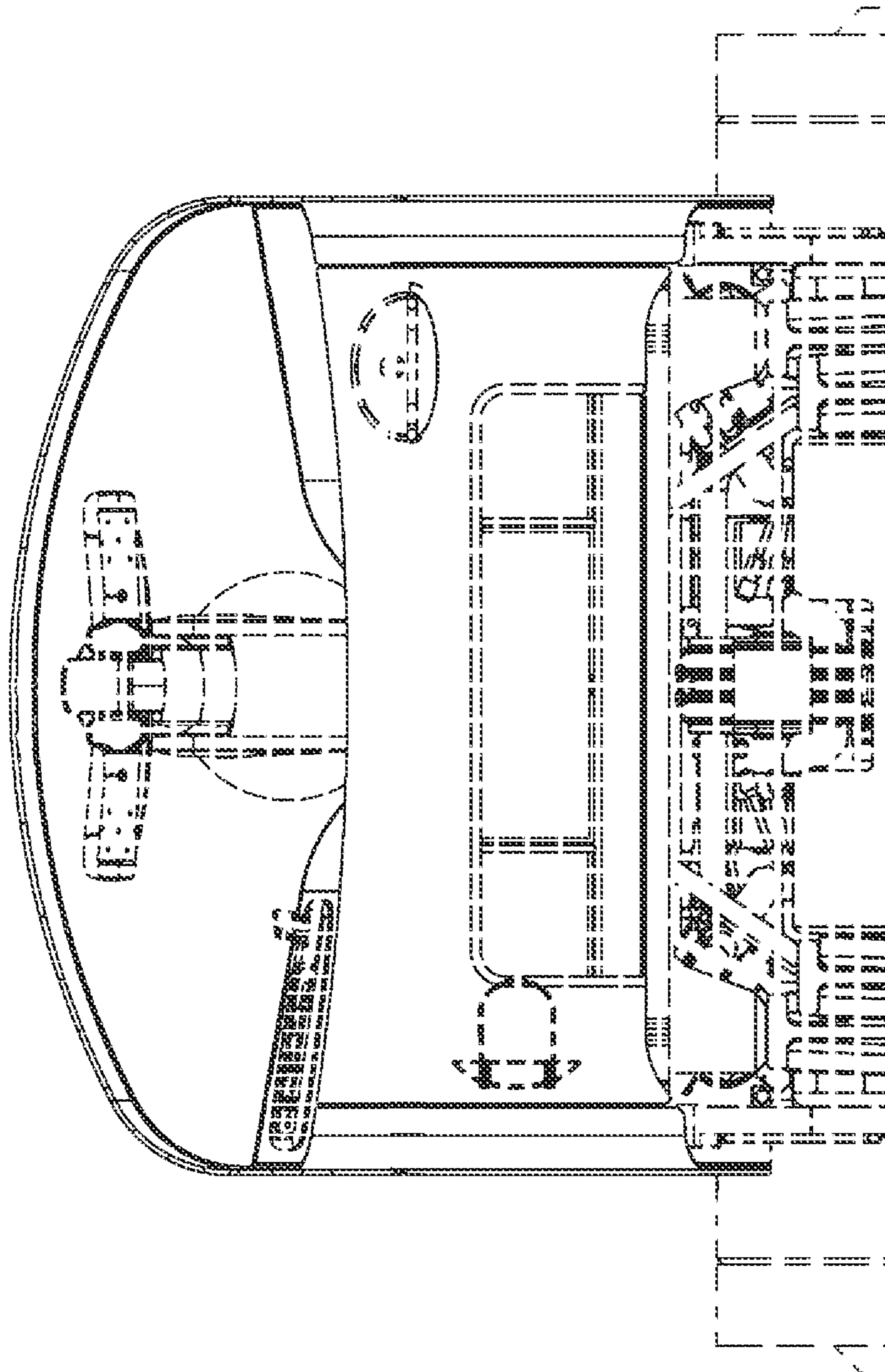
**1 Claim, 10 Drawing Sheets**



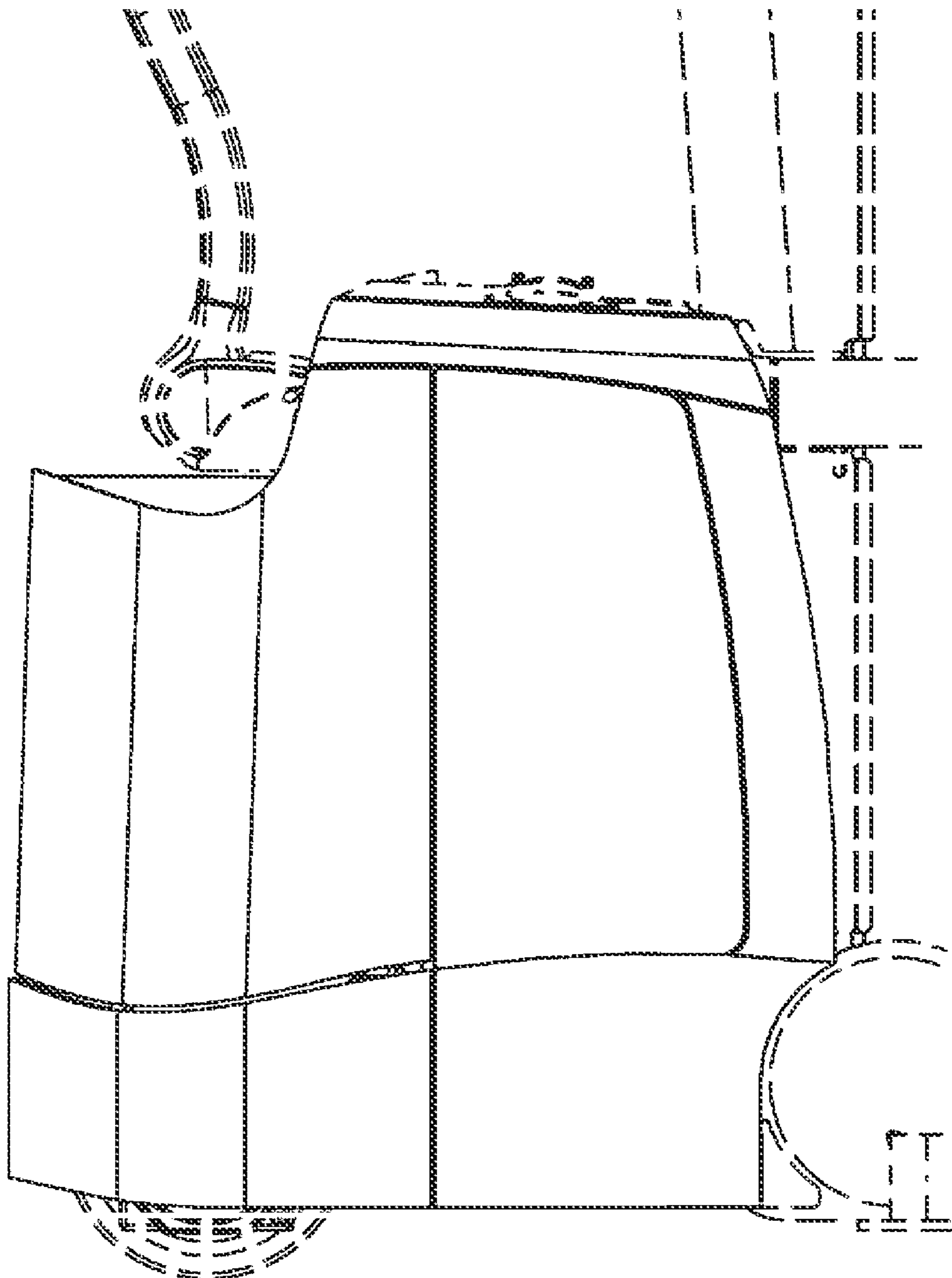
**FIG. 1**



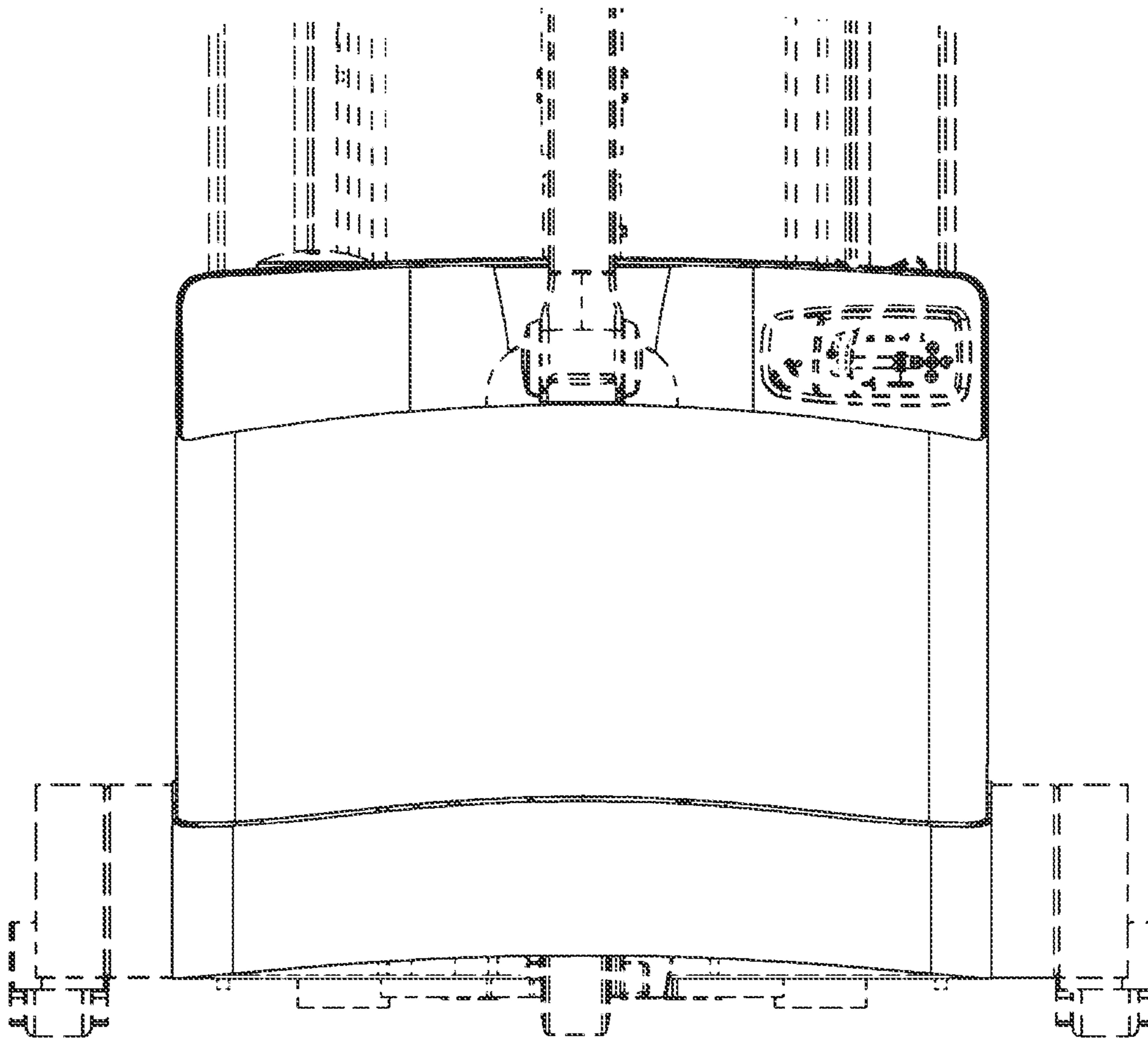
**FIG. 2**



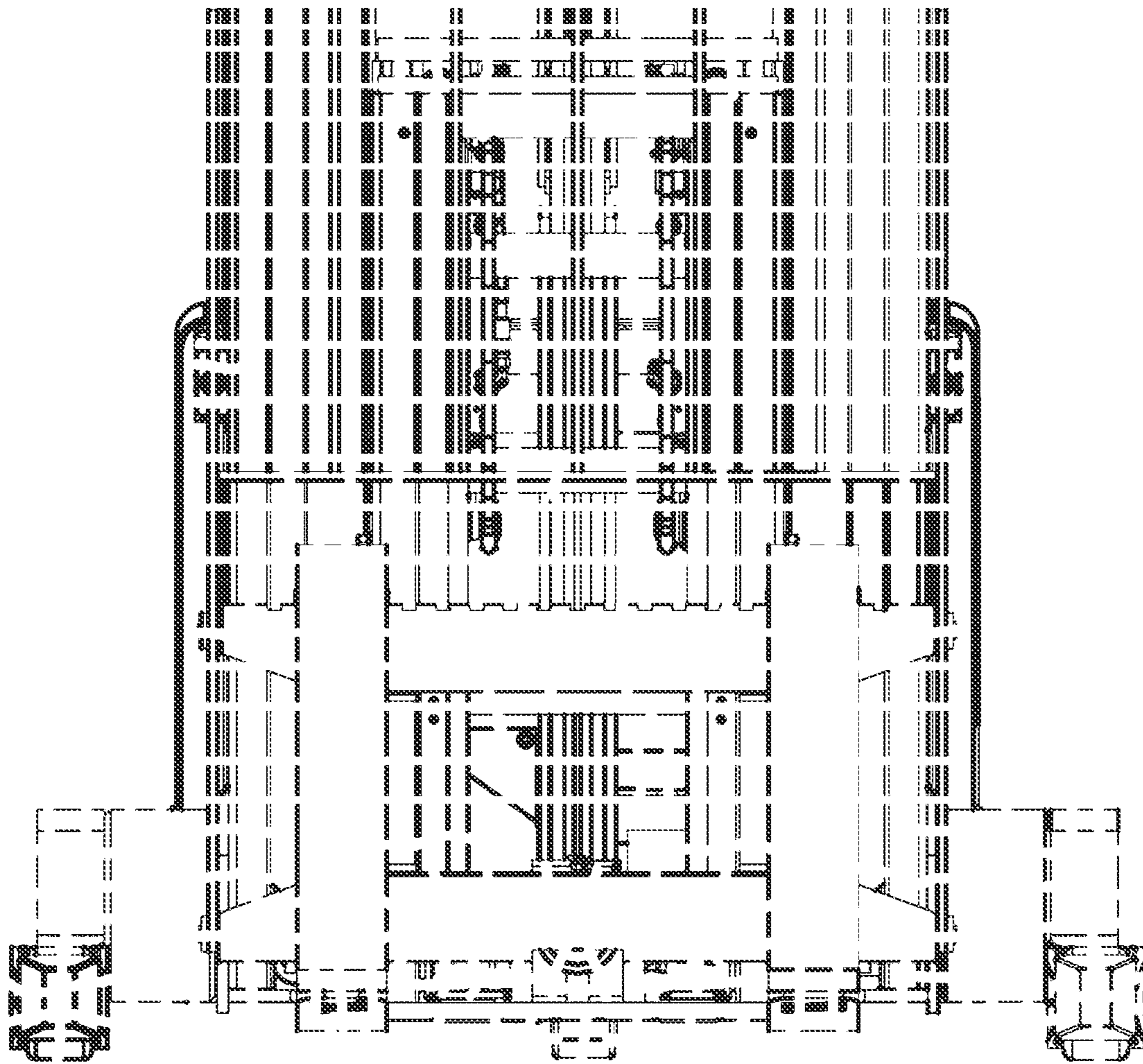
**FIG. 3**



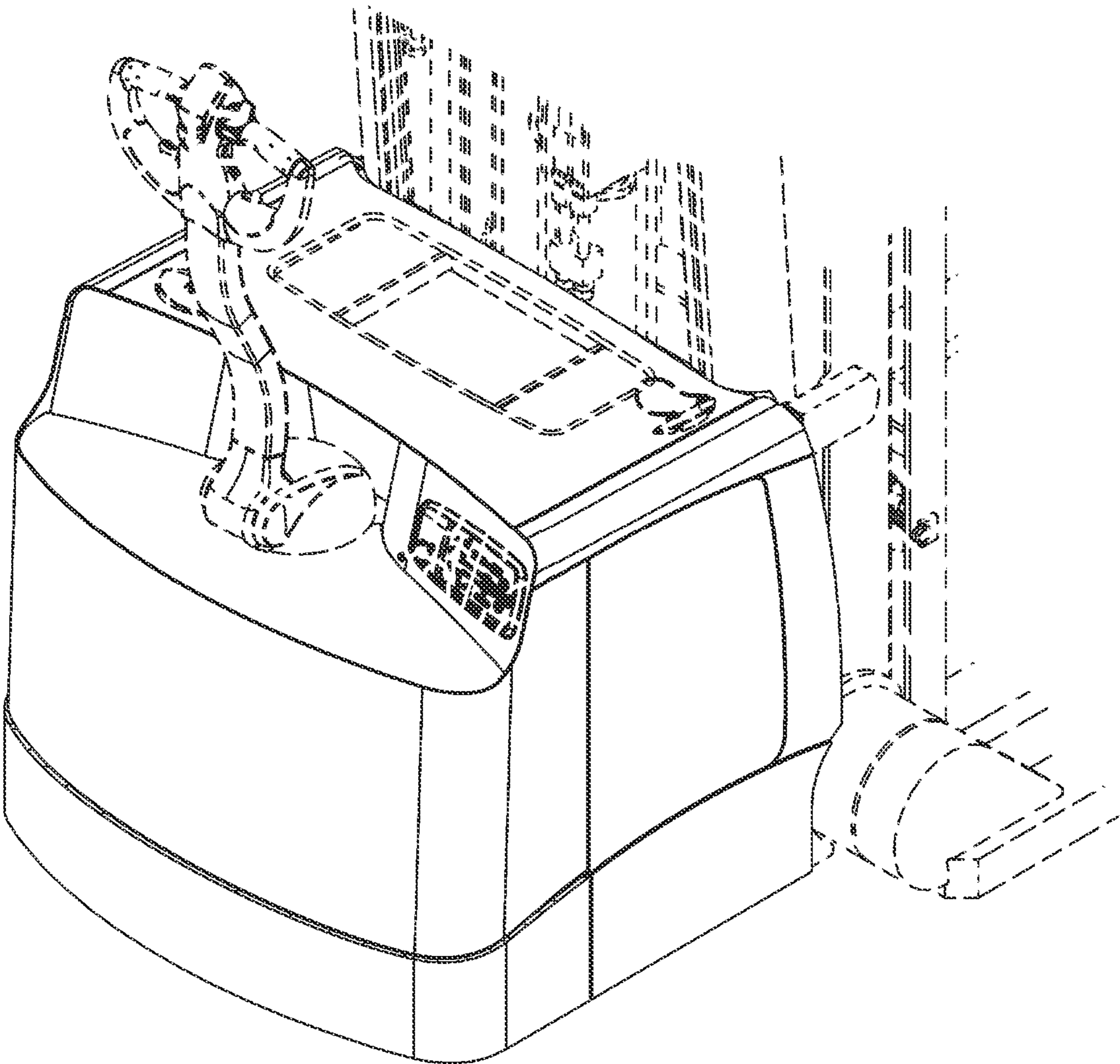
**FIG. 4**



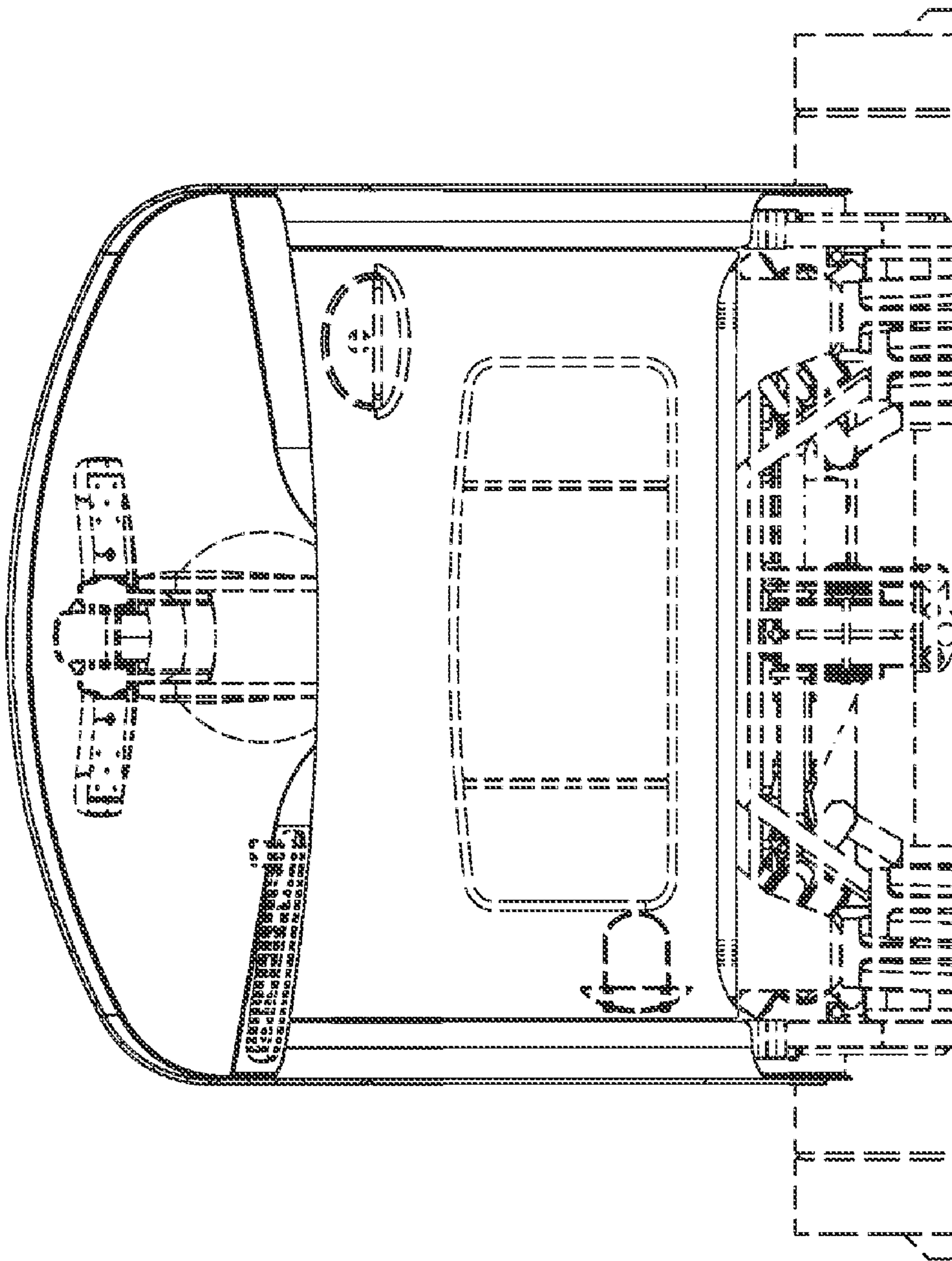
**FIG. 5**



**FIG. 6**

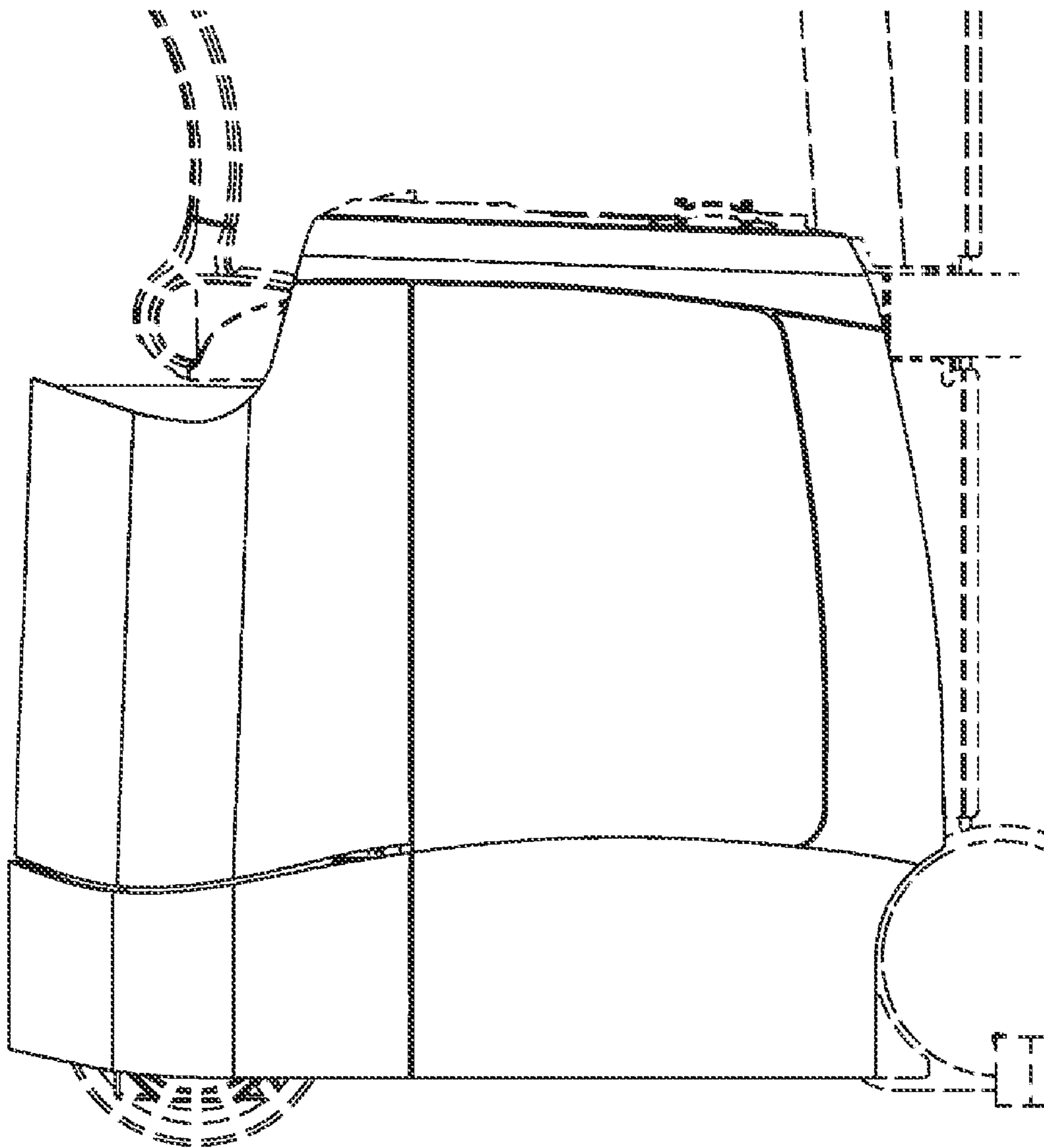


**FIG. 7**

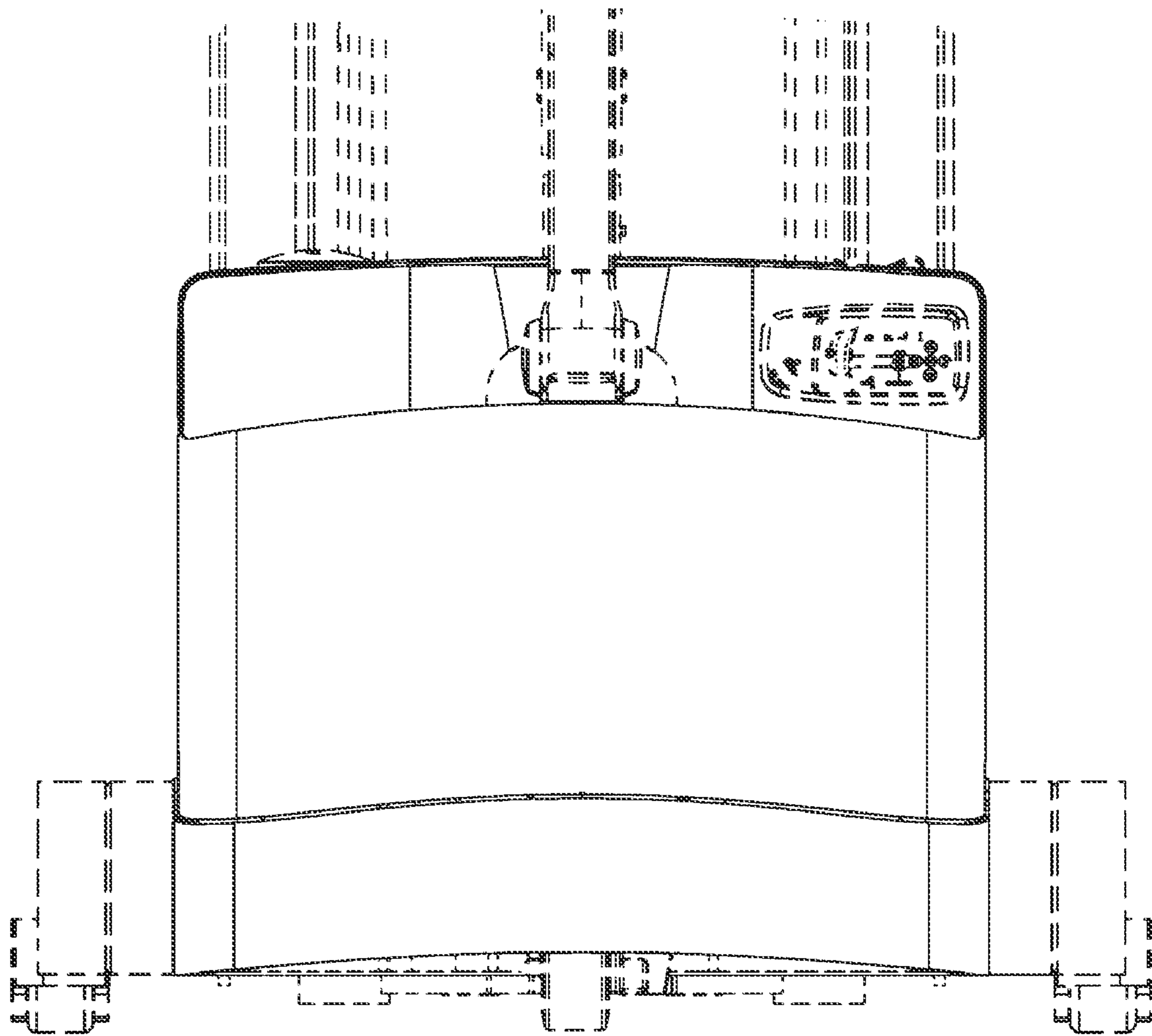




**FIG. 8**



**FIG. 9**



**FIG. 10**

