



US00D559496S

(12) **United States Design Patent**
Zorzo

(10) **Patent No.:** **US D559,496 S**
(45) **Date of Patent:** **** Jan. 8, 2008**

(54) **TROLLEY TABLE**

D487,604 S * 3/2004 Van LANDINGHAM, JR. D34/12

(75) Inventor: **Bruno Zorzo**, Villa del Conte (IT)

* cited by examiner

(73) Assignee: **Filmop s.r.l.**, Villa del Conte (PD) (IT)

Primary Examiner—Cynthia E. Ramirez

(74) *Attorney, Agent, or Firm*—Thomas S. Baker, Jr.

(**) Term: **14 Years**

(57) **CLAIM**

(21) Appl. No.: **29/268,437**

The ornamental design for a trolley table, as shown and described.

(22) Filed: **Nov. 7, 2006**

DESCRIPTION

(51) **LOC (8) Cl.** **12-02**

FIG. 1 is a left side perspective view of the trolley table of the instant invention;

(52) **U.S. Cl.** **D34/17; D34/14**

FIG. 2 is another left side perspective view thereof taken from another angle;

(58) **Field of Classification Search** D34/12-27;
280/47.35, 79.11; D6/445, 446, 448

FIG. 3 is another left side perspective view thereof taken from another angle;

See application file for complete search history.

FIG. 4 is a front view thereof;

(56) **References Cited**

U.S. PATENT DOCUMENTS

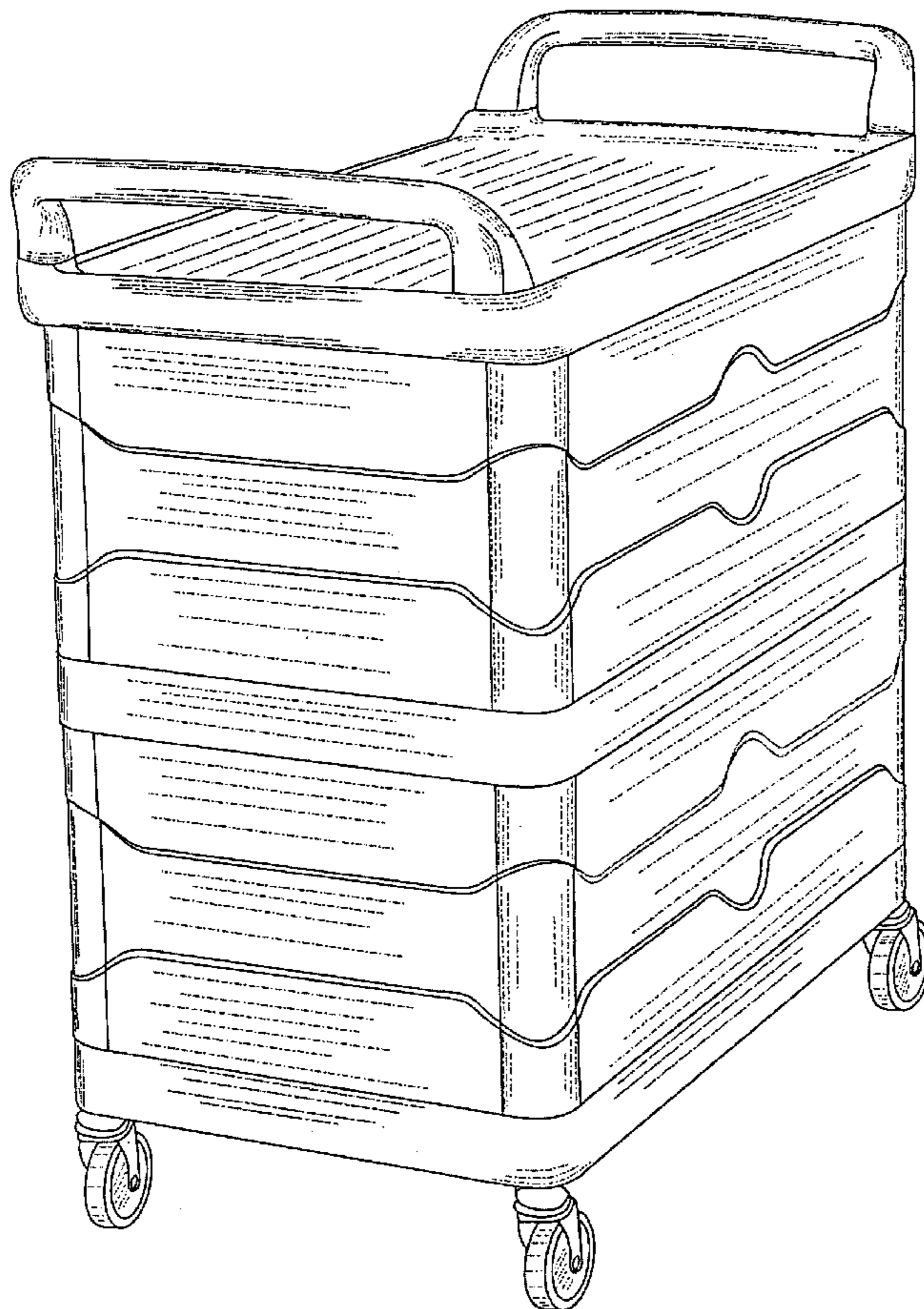
- D275,044 S * 8/1984 Hampshire et al. D34/21
- D323,915 S * 2/1992 Welch D34/21
- D374,323 S * 10/1996 Carlson et al. D34/27
- D400,334 S * 10/1998 Hawkins D34/21
- D485,410 S * 1/2004 Van LANDINGHAM, JR. D34/21

FIG. 5 right side perspective view thereof;

FIG. 6 is a rear view thereof; and,

FIG. 7 is a left side view thereof.

1 Claim, 7 Drawing Sheets



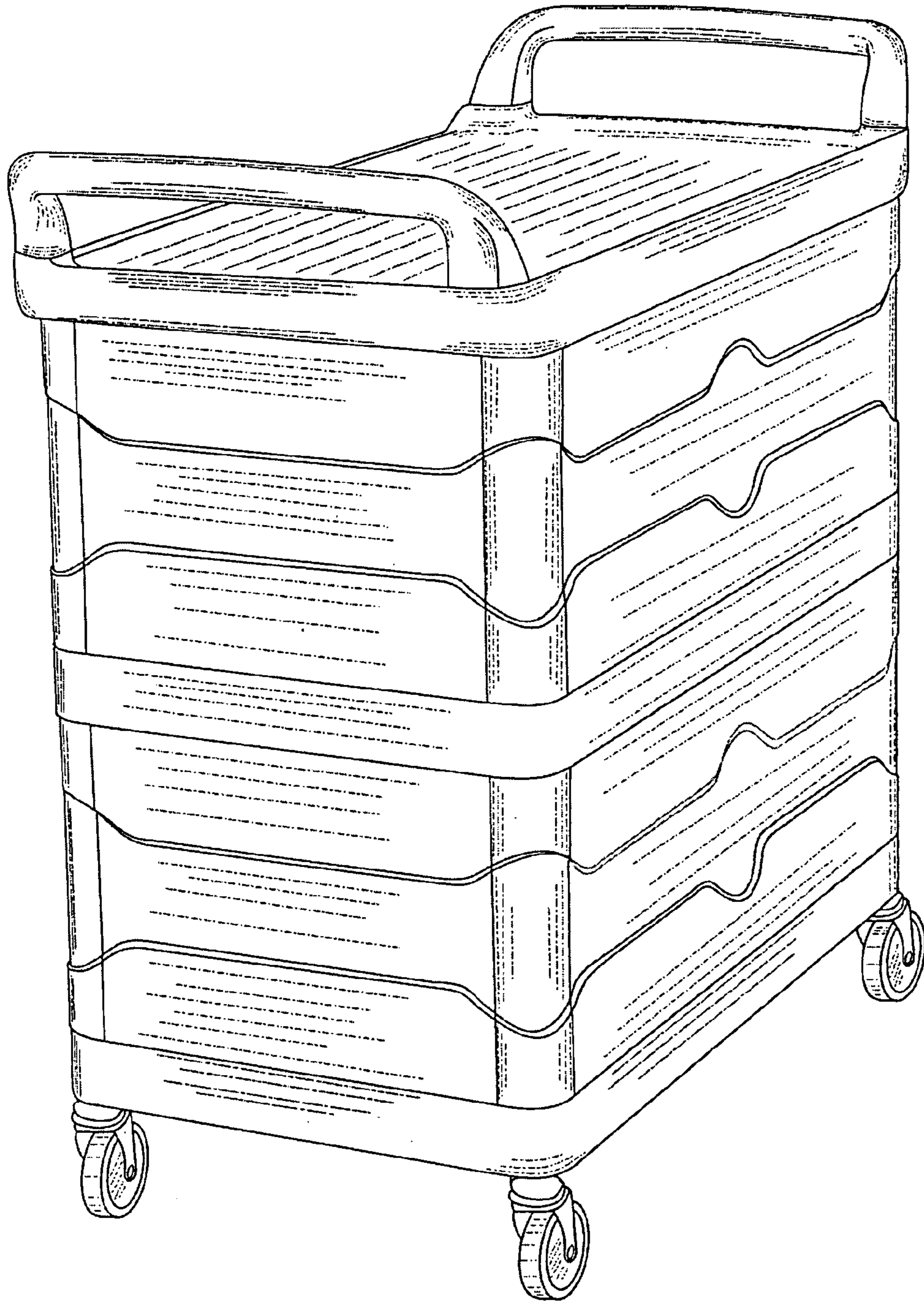


Fig. 1

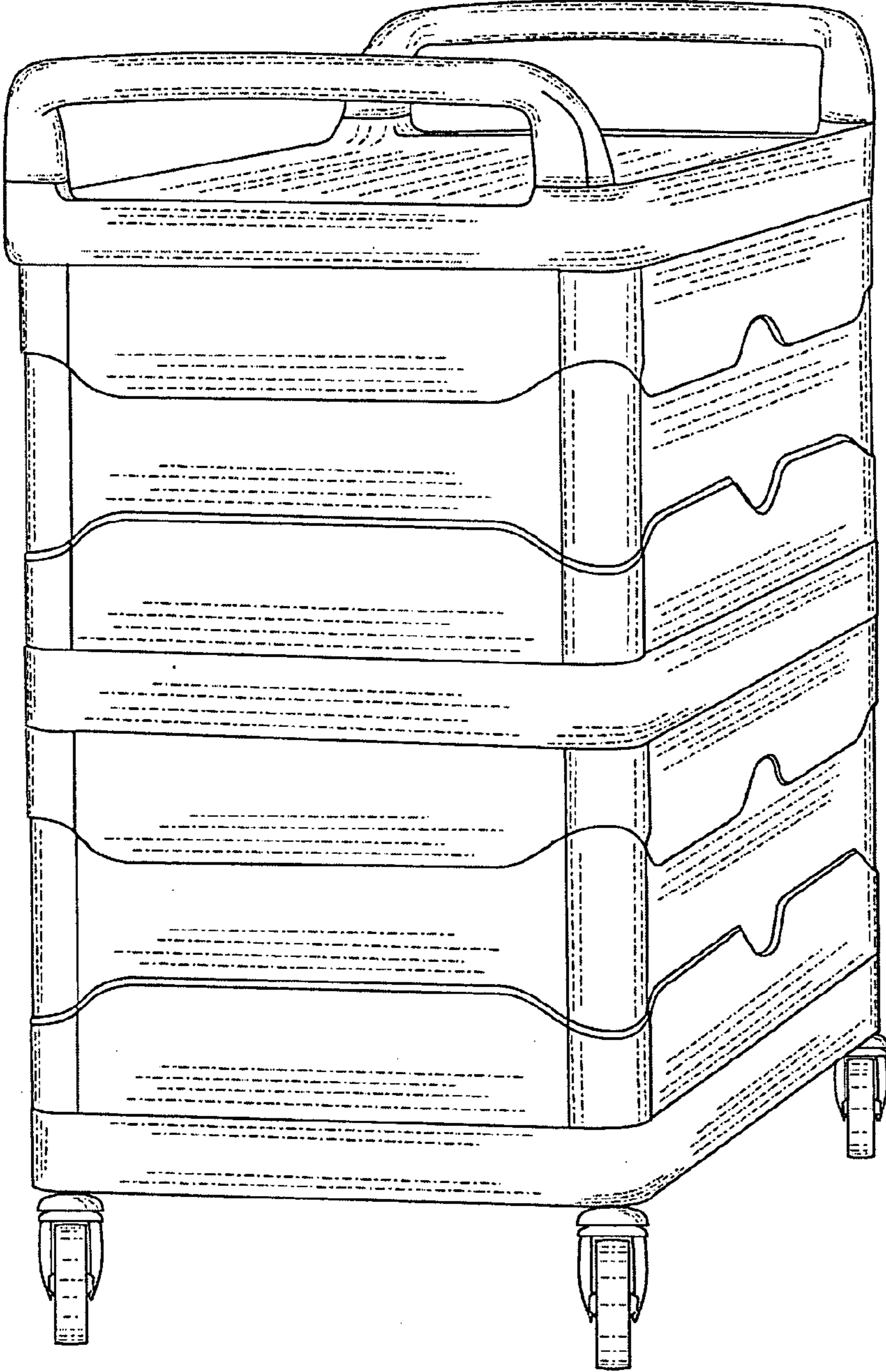


Fig. 2



Fig. 3

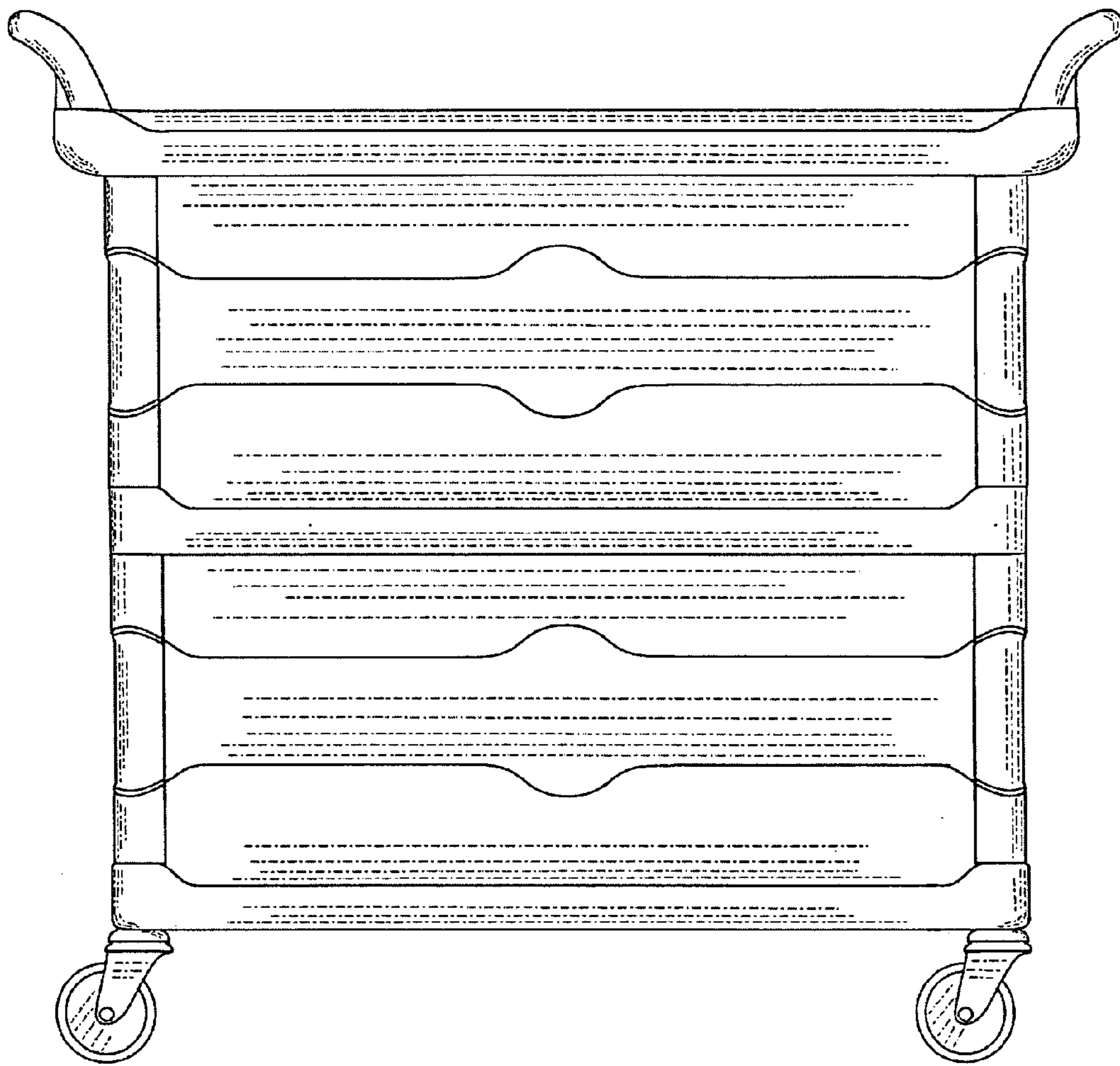


Fig. 4



Fig. 5

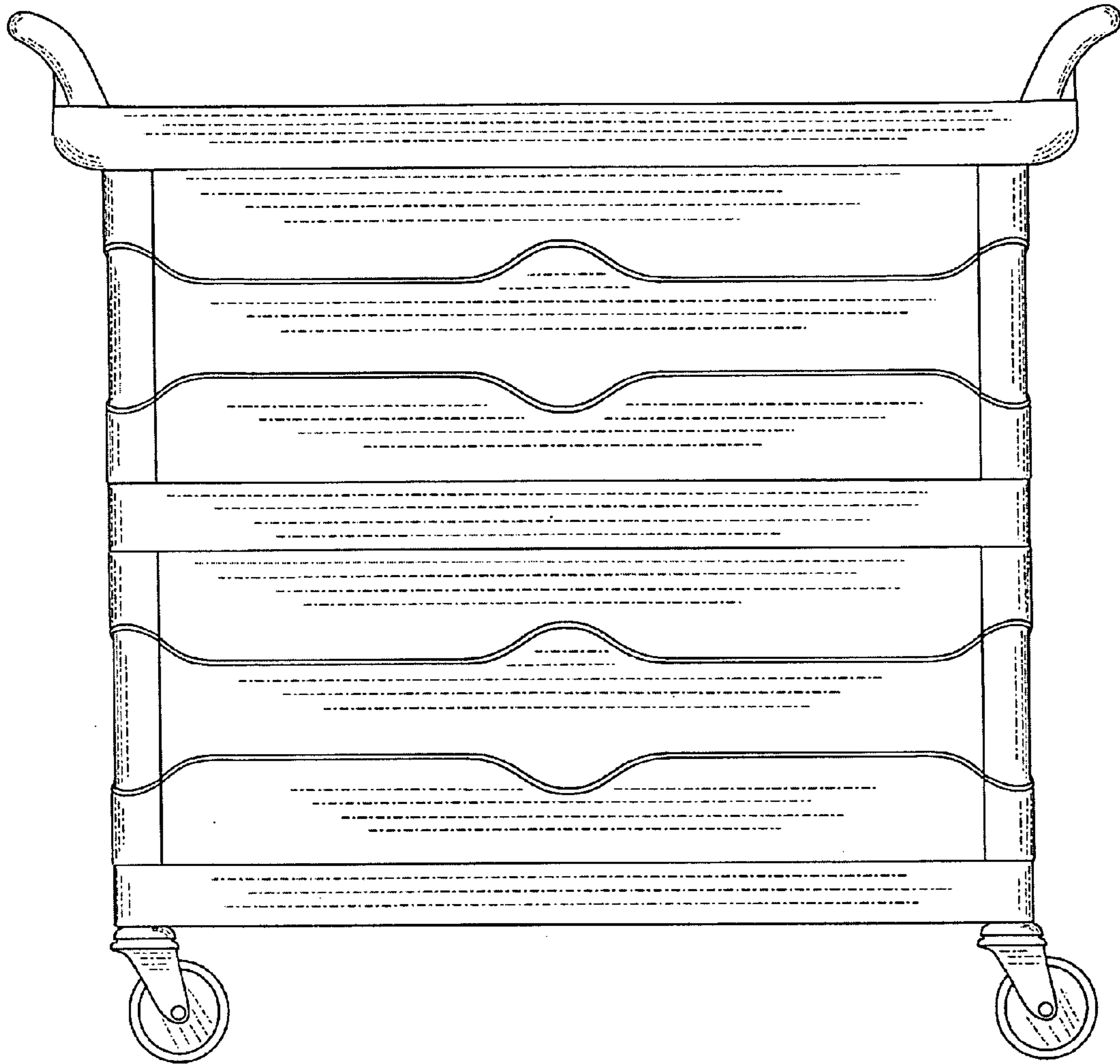


Fig. 6

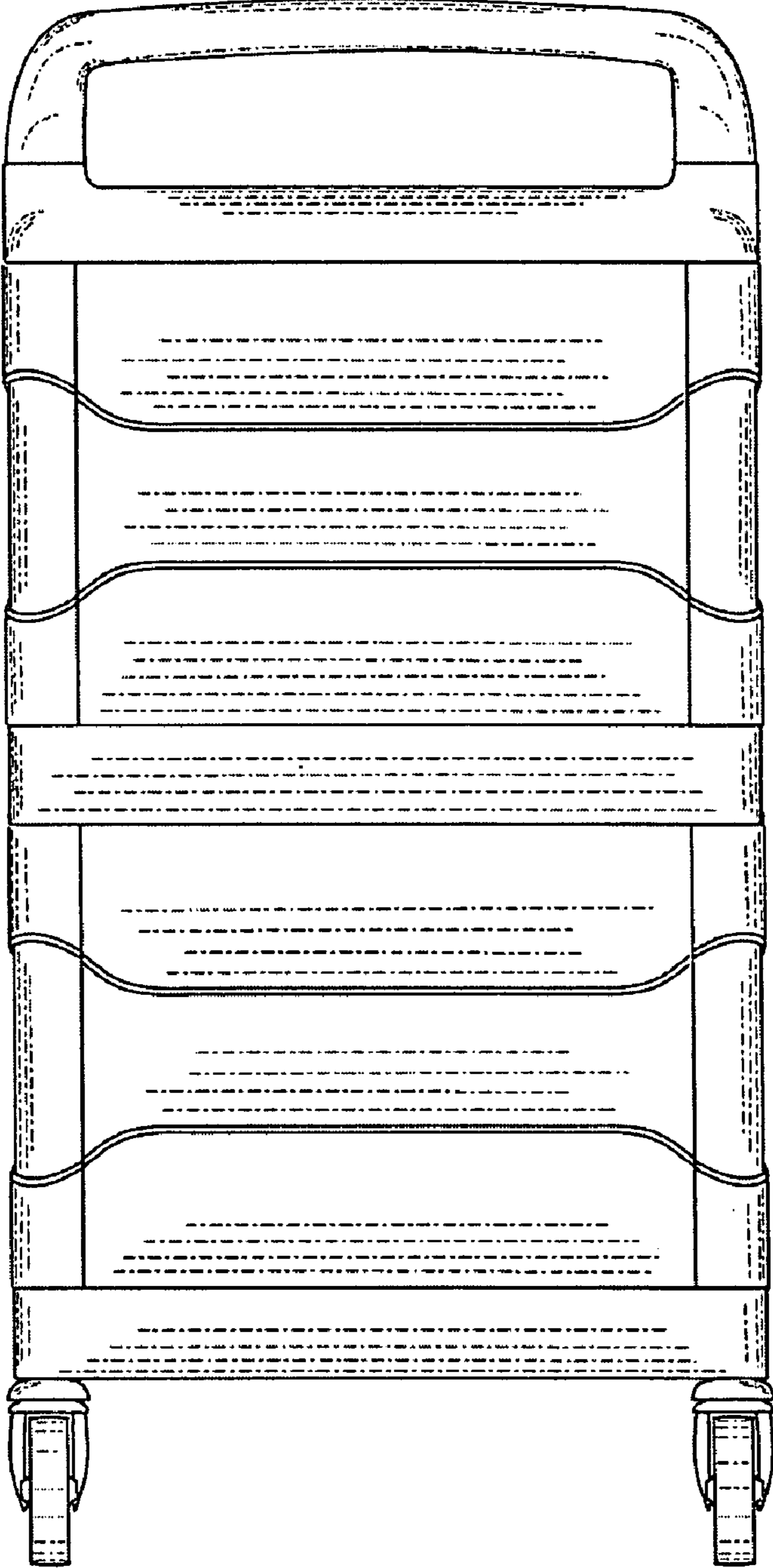


Fig. 7