



US00D559491S

(12) **United States Design Patent**
Yang et al.

(10) **Patent No.:** **US D559,491 S**
(45) **Date of Patent:** **** Jan. 8, 2008**

(54) **MINI DISH RACK**

(75) Inventors: **Frank Yang**, Rancho Palos Verdes, CA (US); **Tzu-Hao Wei**, Hacienda Heights, CA (US); **William Shyh-Chen Hsu**, Diamond Bar, CA (US); **Di-fong Chang**, Torrance, CA (US)

(73) Assignee: **Simplehuman LLC**, Torrance, CA (US)

(**) Term: **14 Years**

(21) Appl. No.: **29/272,103**

(22) Filed: **Feb. 1, 2007**

(51) **LOC (8) Cl.** **07-05**

(52) **U.S. Cl.** **D32/55**

(58) **Field of Classification Search** D32/55-57;
D6/566-567; D7/667; 220/485, 572; 211/41.3,
211/88.01, 86.01; 134/135; 4/637, 656
See application file for complete search history.

(56) **References Cited**

U.S. PATENT DOCUMENTS

D353,921 S * 12/1994 Lippisch et al. D32/55

D373,866 S * 9/1996 Belden et al. D32/55
5,588,539 A * 12/1996 Belden et al. 211/41.3
D413,700 S * 9/1999 Wang D32/55
D418,955 S * 1/2000 Hampshire D32/55
D432,750 S * 10/2000 Rashid D32/55

* cited by examiner

Primary Examiner—Pamela J. Burgess

(74) *Attorney, Agent, or Firm*—Raymond Sun

(57) **CLAIM**

The ornamental design for a mini dish rack, as shown and described.

DESCRIPTION

FIG. 1 is a perspective view of the mini dish rack.

FIG. 2 is a front plan view of the dish rack of FIG. 1.

FIG. 3 is a rear plan view of the dish rack of FIG. 1.

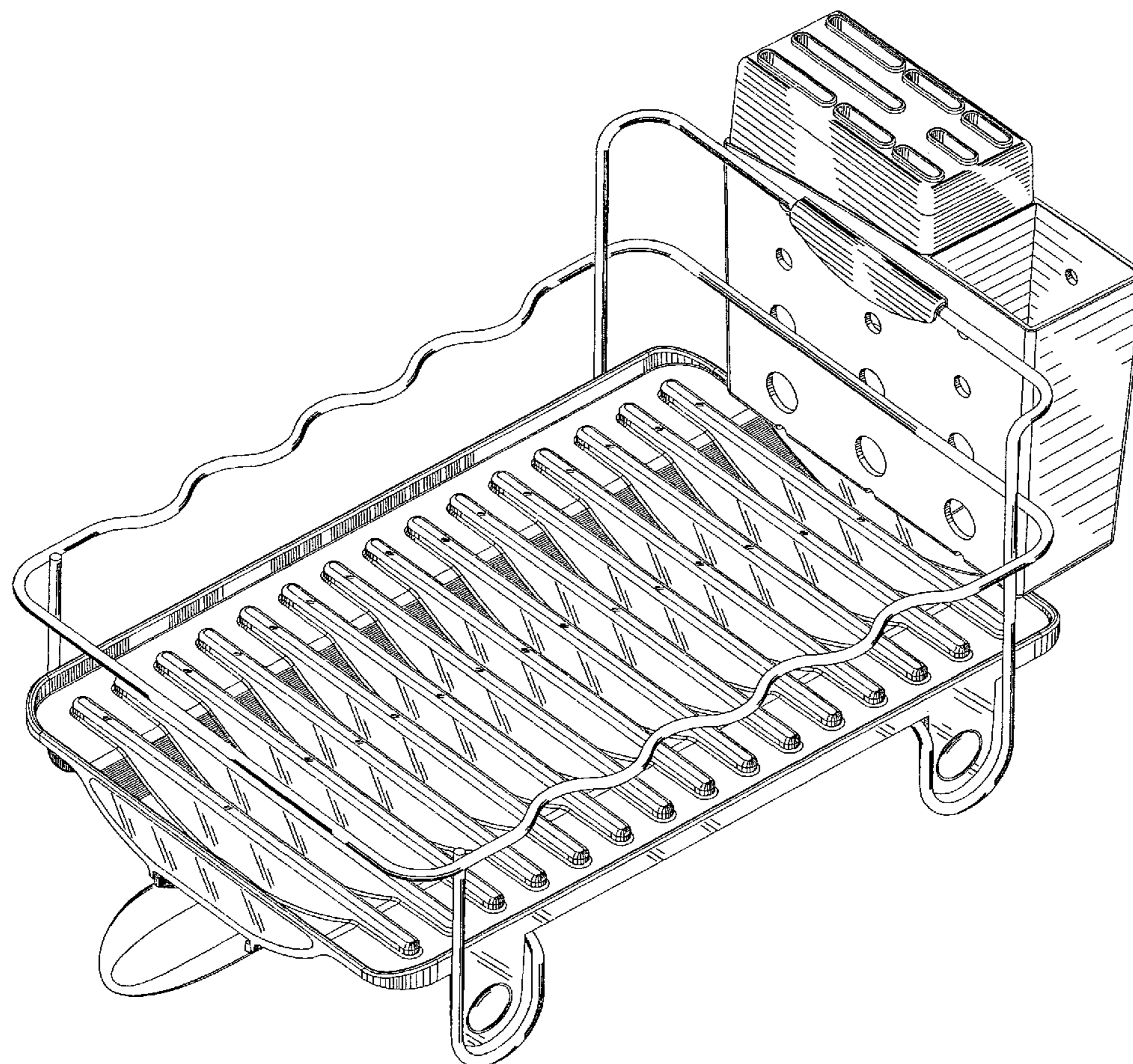
FIG. 4 is a left side plan view of the dish rack of FIG. 1.

FIG. 5 is a right side plan view of the dish rack of FIG. 1.

FIG. 6 is a top plan view of the dish rack of FIG. 1; and,

FIG. 7 is a bottom plan view of the dish rack of FIG. 1.

1 Claim, 7 Drawing Sheets



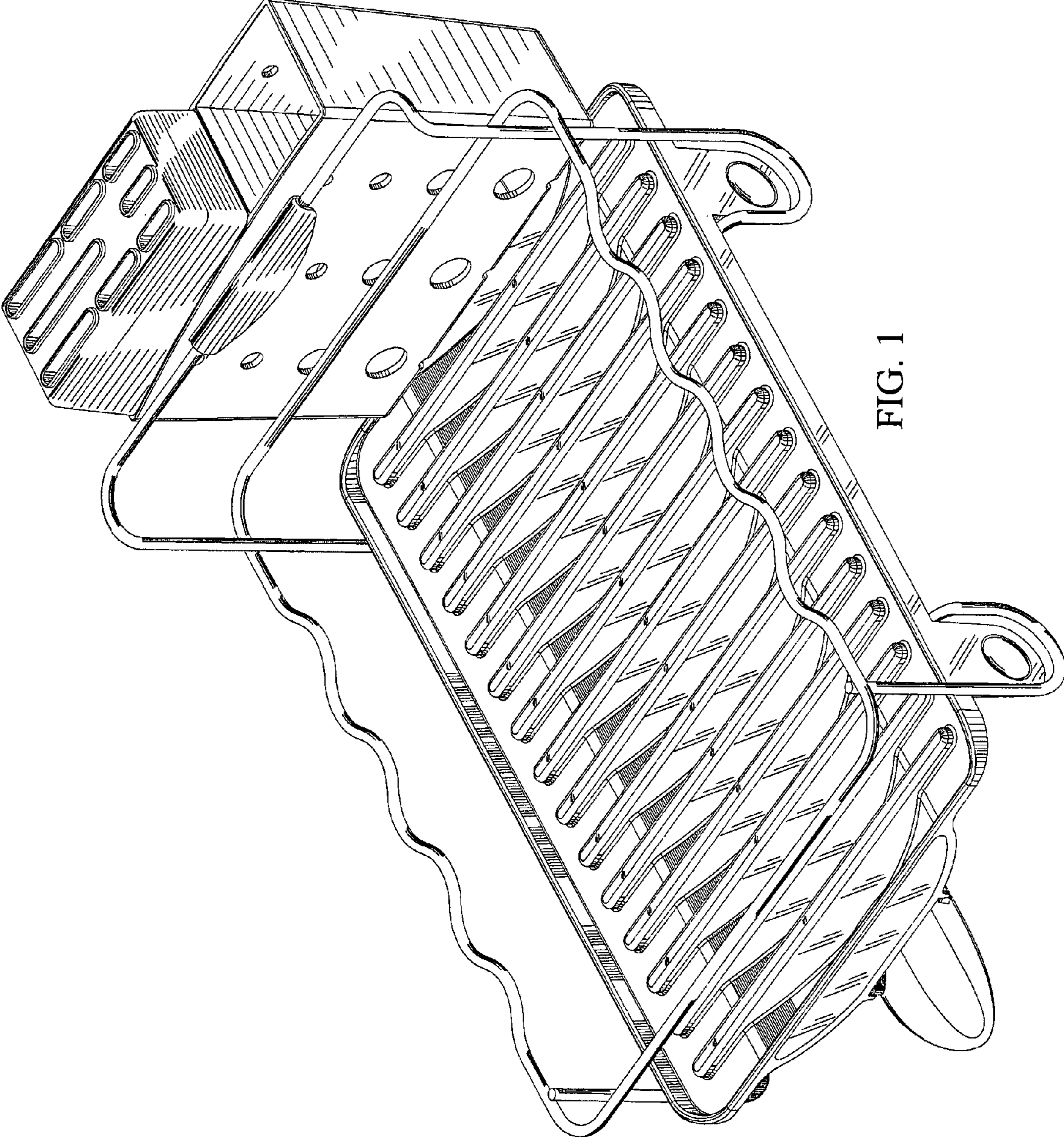


FIG. 1

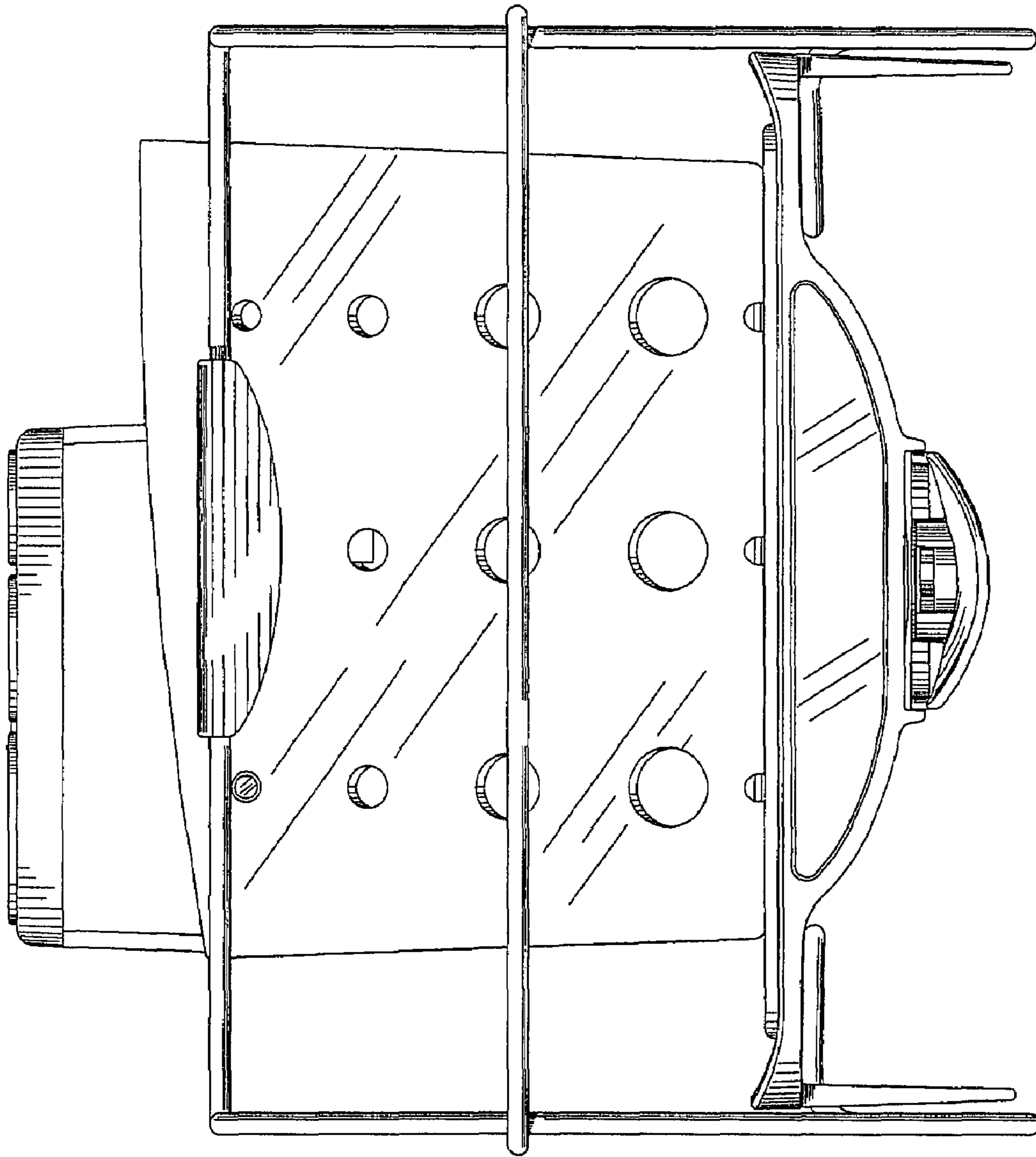


FIG. 2

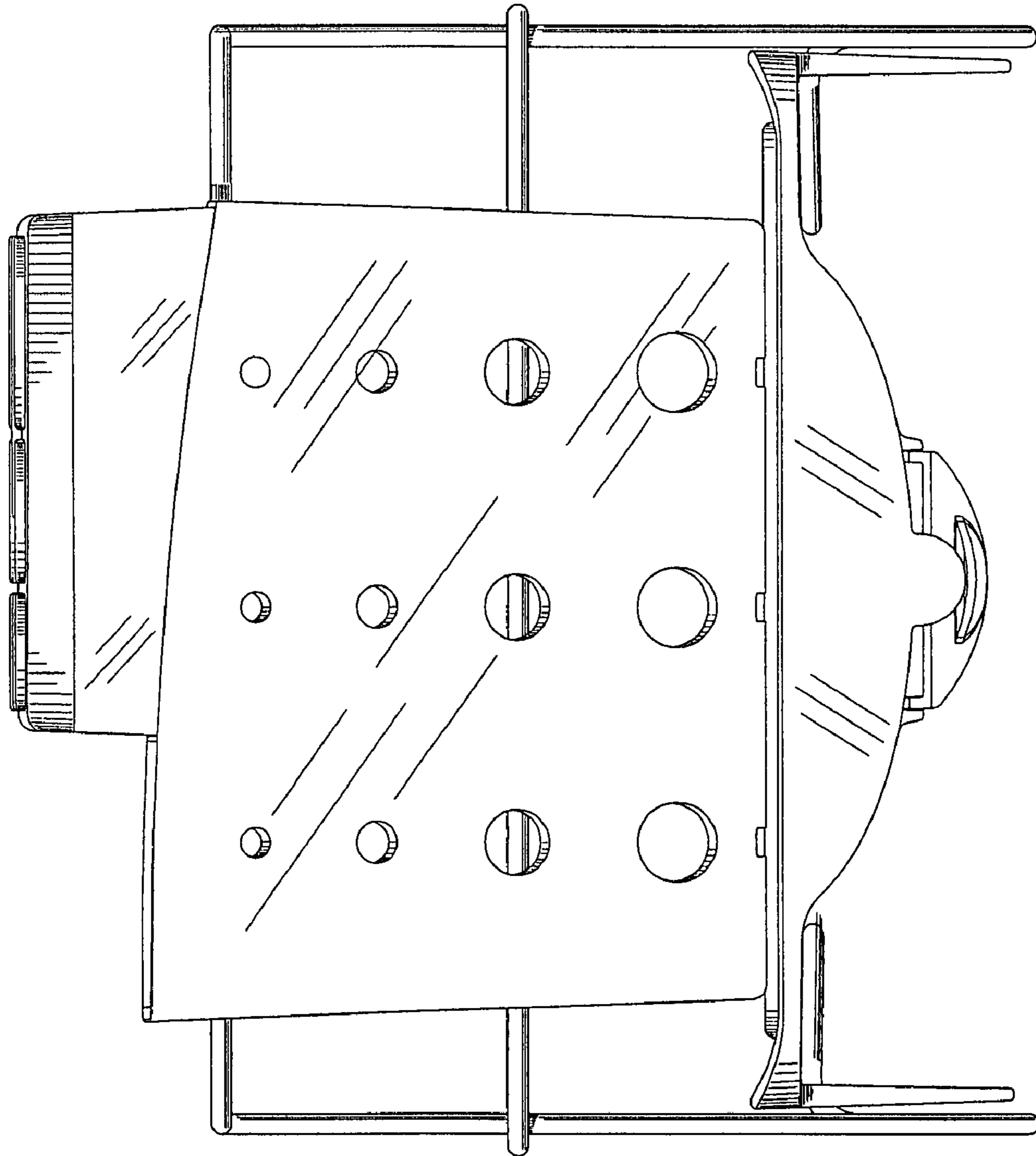


FIG. 3

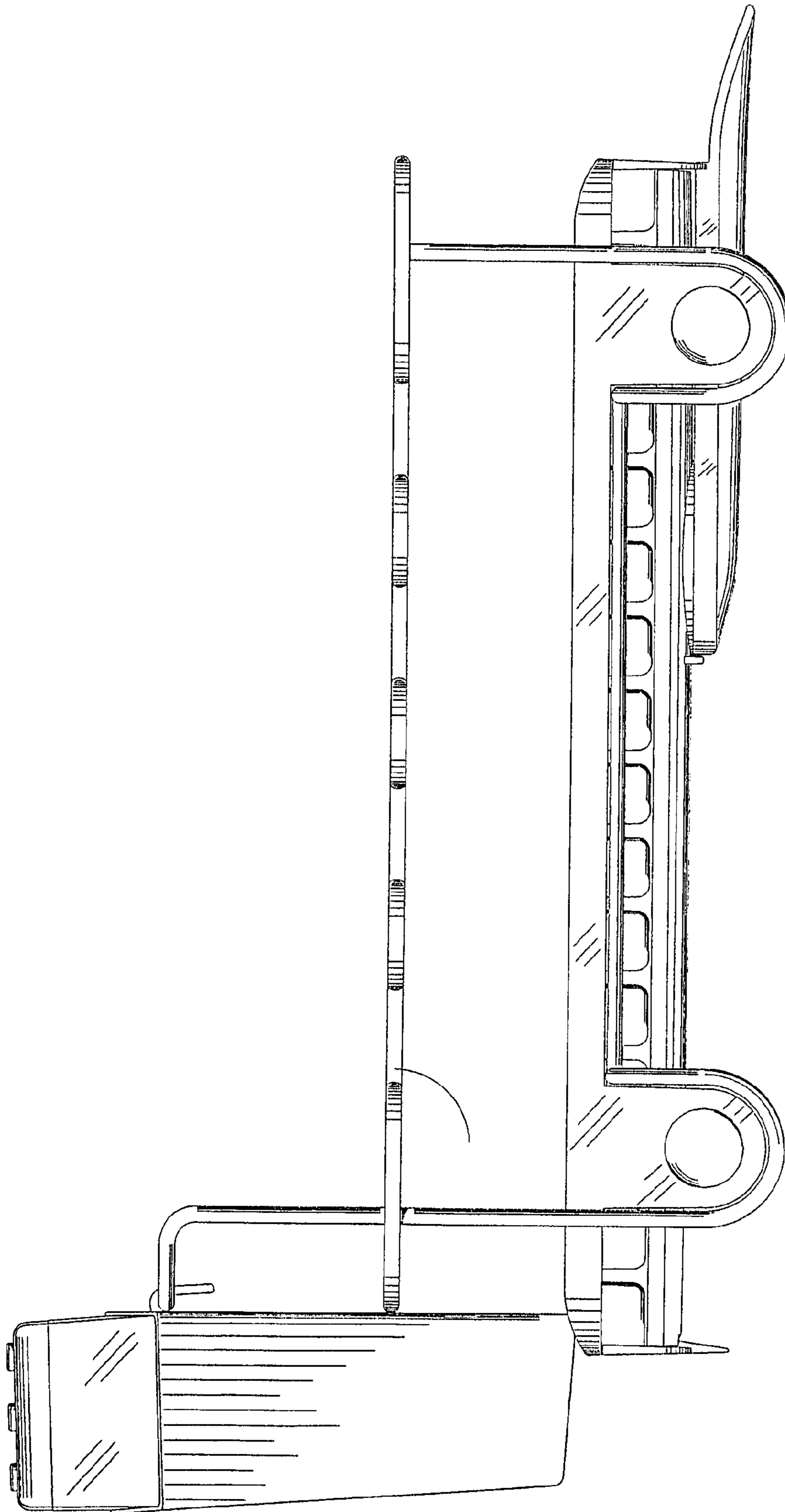


FIG. 4

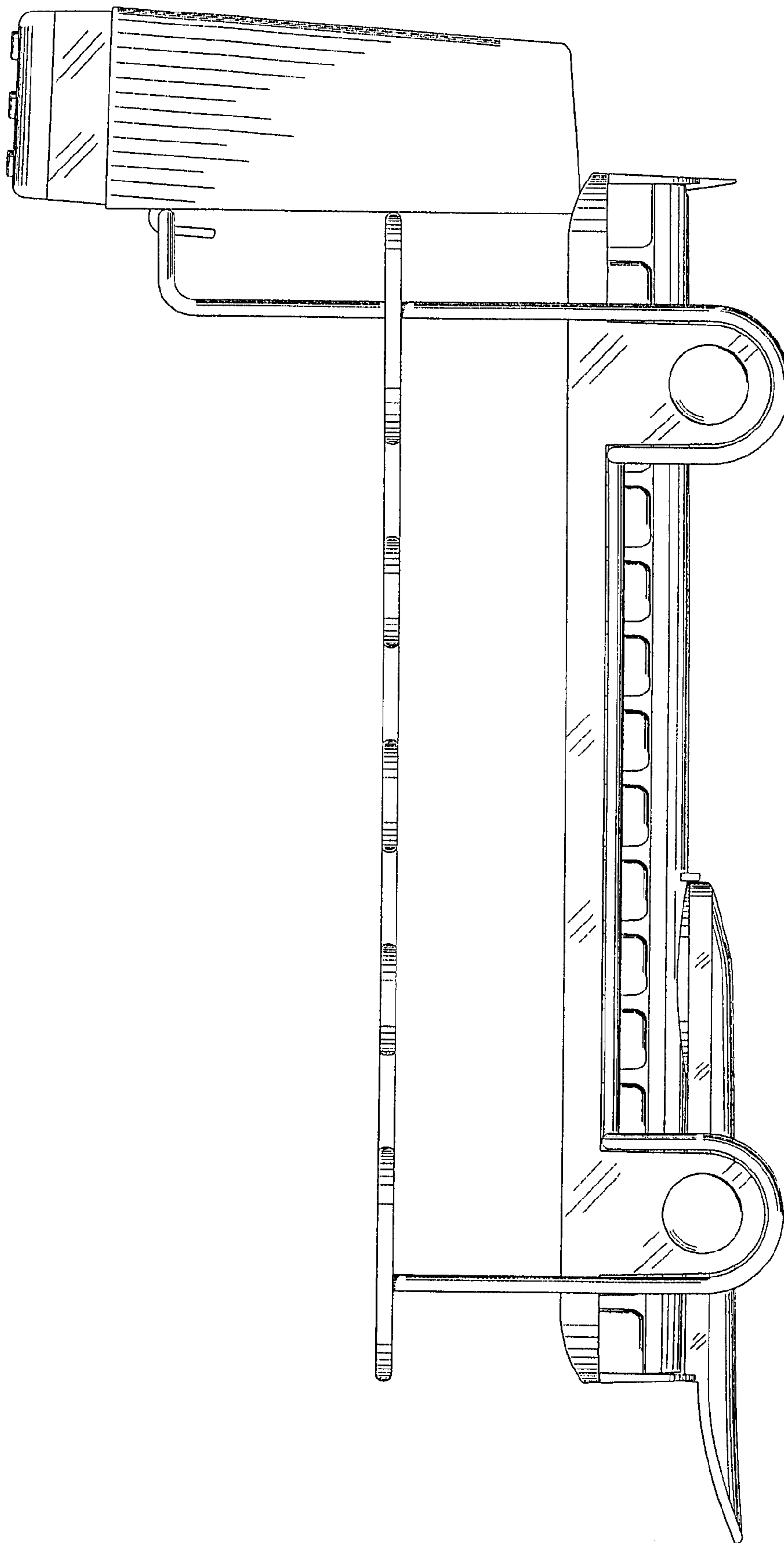


FIG. 5

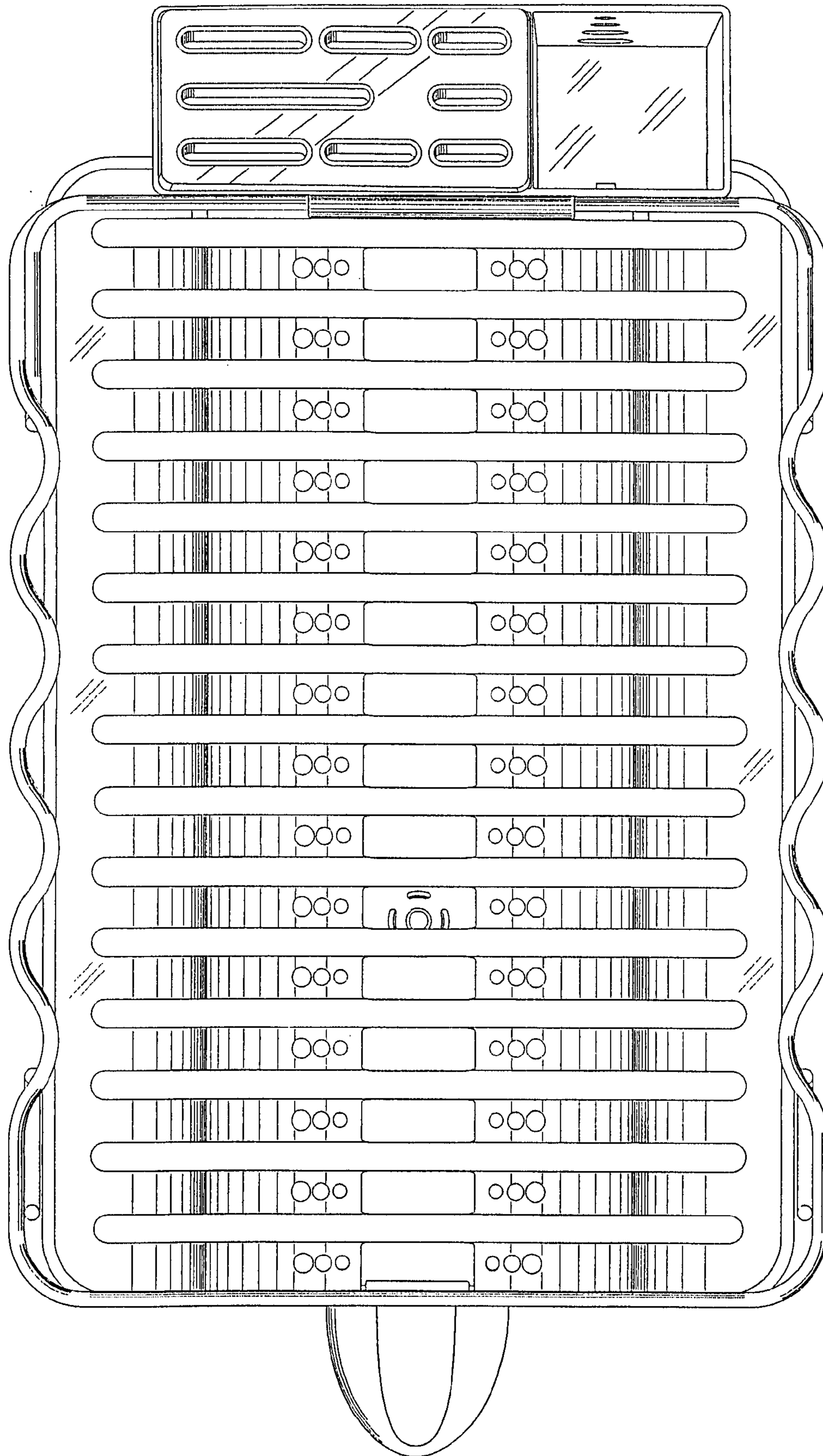


FIG. 6

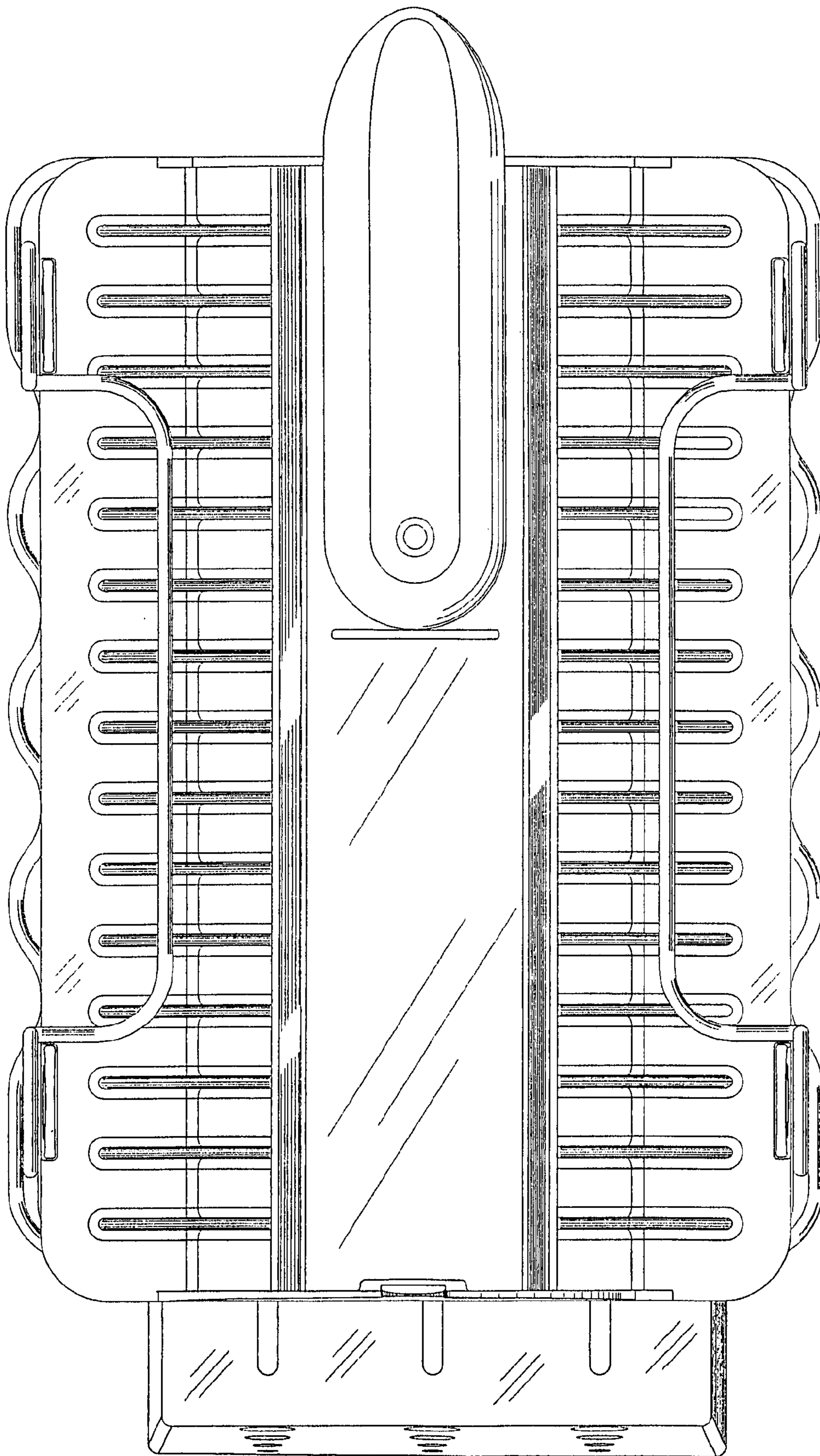


FIG. 7