



US00D559490S

(12) **United States Design Patent**
Hay

(10) **Patent No.:** **US D559,490 S**
(45) **Date of Patent:** **** Jan. 8, 2008**

(54) **HANDLE FOR CLEANING IMPLEMENT**

(75) Inventor: **Christopher James Mccaughan Hay**,
Hong Kong (CN)

(73) Assignee: **Hayco Manufacturing Limited**,
Causeway Bay (HK)

(**) Term: **14 Years**

(21) Appl. No.: **29/209,175**

(22) Filed: **Jul. 13, 2004**

(51) **LOC (8) Cl.** **04-01**

(52) **U.S. Cl.** **D32/52**

(58) **Field of Classification Search** D32/40,
D32/50, 51, 52; D8/107, 6, 11; D7/393,
D7/395, 401.2; 15/143.1, 144.1, 144.3, 144.4,
15/146, 244.1; 16/110.1, 429, 430, DIG. 19,
16/DIG. 12

See application file for complete search history.

(56) **References Cited**

U.S. PATENT DOCUMENTS

4,345,351 A * 8/1982 Moss et al. 15/144.4

(Continued)

FOREIGN PATENT DOCUMENTS

WO DM/061979 * 8/2002

Primary Examiner—Cathron Brooks

Assistant Examiner—Barbara Fox

(74) *Attorney, Agent, or Firm*—Buchanan Ingersoll &
Rooney PC

(57) **CLAIM**

The ornamental design for “handle for cleaning implement,”
as shown and described.

DESCRIPTION

FIG. 1 is a perspective view of a “handle for cleaning
implement” with the handle in a first position, incorporating
the design;

FIG. 2 is a top view thereof;

FIG. 3 is a bottom view thereof;

FIG. 4 is a side view thereof,

FIG. 5 is another side view thereof,

FIG. 6 is a front view thereof;

FIG. 7 is a rear view thereof;

FIG. 8 is a perspective view of a “handle for cleaning
implement” with the handle in a second position, incorpor-
ating the design;

FIG. 9 is a top view thereof;

FIG. 10 is a bottom view thereof;

FIG. 11 is a side view thereof;

FIG. 12 is another side view thereof;

FIG. 13 is a front view thereof;

FIG. 14 is a rear view thereof;

FIG. 15 is a perspective view showing a second embodiment
of a “handle for cleaning implement” with the handle in the
first position, incorporating the design;

FIG. 16 is a top view thereof;

FIG. 17 is a bottom view thereof;

FIG. 18 is a side view thereof

FIG. 19 is another side view thereof;

FIG. 20 is a front view thereof;

FIG. 21 is a rear view thereof;

FIG. 22 is a perspective view showing the second embodi-
ment of a “handle for cleaning implement” with the handle
in the second position, incorporating the design;

FIG. 23 is a top view thereof;

FIG. 24 is a bottom view thereof;

FIG. 25 is a side view thereof;

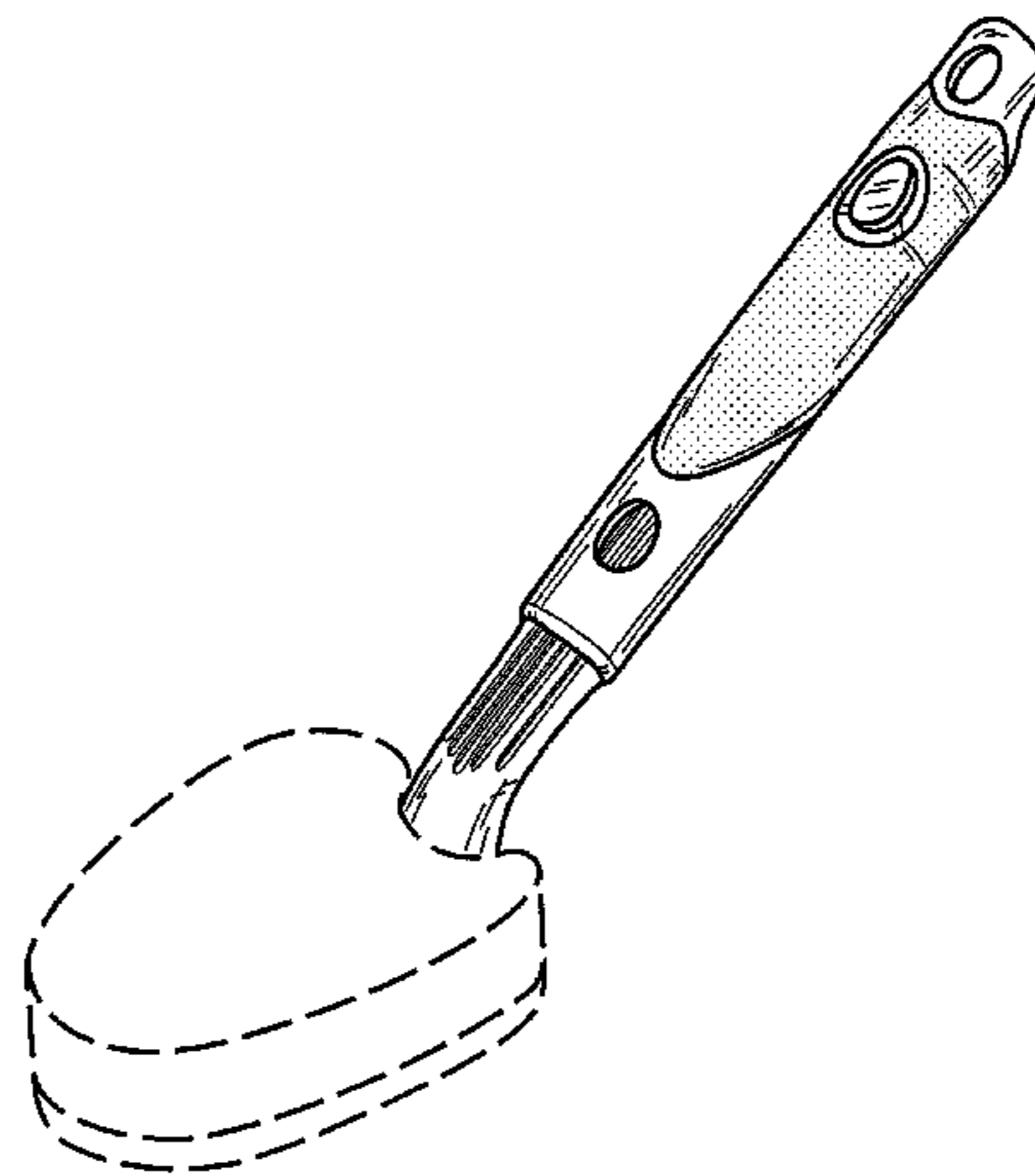
FIG. 26 is another side view thereof;

FIG. 27 is a front view thereof; and,

FIG. 28 is a rear view thereof.

The part of the cleaning implement shown in phantom lines
depicts an environment of the handle design but forms no
part of the claimed design. The dotted or darkened area on
the handle in FIGS. 15–28 illustrates a different surface
pattern or ornament in that area.

1 Claim, 28 Drawing Sheets



US D559,490 S

Page 2

U.S. PATENT DOCUMENTS

5,220,707	A *	6/1993	Newman et al.	16/429	6,532,630	B1 *	3/2003	Newman et al.	16/429
D377,135	S *	1/1997	Ancona et al.	D7/401.2	D482,530	S *	11/2003	Evans	D4/102
D434,911	S *	12/2000	Lynch et al.	D4/137	D484,740	S *	1/2004	Hay	D7/395
6,247,736	B1 *	6/2001	Esterson et al.	294/7	D490,952	S *	6/2004	Ajluni	D32/50
D448,258	S *	9/2001	Hay et al.	D8/10	D492,119	S *	6/2004	Hay	D4/127
D450,544	S *	11/2001	Rowe et al.	D7/650	D492,120	S *	6/2004	Hay et al.	D4/132
D452,777	S *	1/2002	Newman et al.	D4/138	D492,121	S *	6/2004	Hay et al.	D4/134
D454,046	S *	3/2002	Hsieh	D8/107	D501,358	S *	2/2005	LoGiudice et al.	D7/395
D455,905	S *	4/2002	McCurrach	D4/133	D505,791	S *	6/2005	Chang	D4/138
D456,222	S *	4/2002	Rowe et al.	D7/683	D509,963	S *	9/2005	Hay	D4/135
D456,223	S *	4/2002	Rowe et al.	D7/692	D521,249	S *	5/2006	Hay et al.	D4/138
D458,760	S *	6/2002	Rowe et al.	D4/127	D523,642	S *	6/2006	Hollinger	D4/114
D459,088	S *	6/2002	Rowe et al.	D4/118	7,096,530	B2 *	8/2006	Goulet	15/144.4
D459,586	S *	7/2002	Cummings et al.	D4/127	D527,532	S *	9/2006	Henke et al.	D4/138
6,415,470	B1 *	7/2002	Ramrattan	15/144.4	D529,676	S *	10/2006	Hay	D32/42
D468,502	S *	1/2003	Silverman	D32/51	2005/0015934	A1 *	1/2005	Hu	16/430
D468,503	S *	1/2003	Silverman	D32/51	2006/0168750	A1 *	8/2006	Dotterman et al.	15/228
D468,616	S *	1/2003	Welch et al.	D8/107					

* cited by examiner

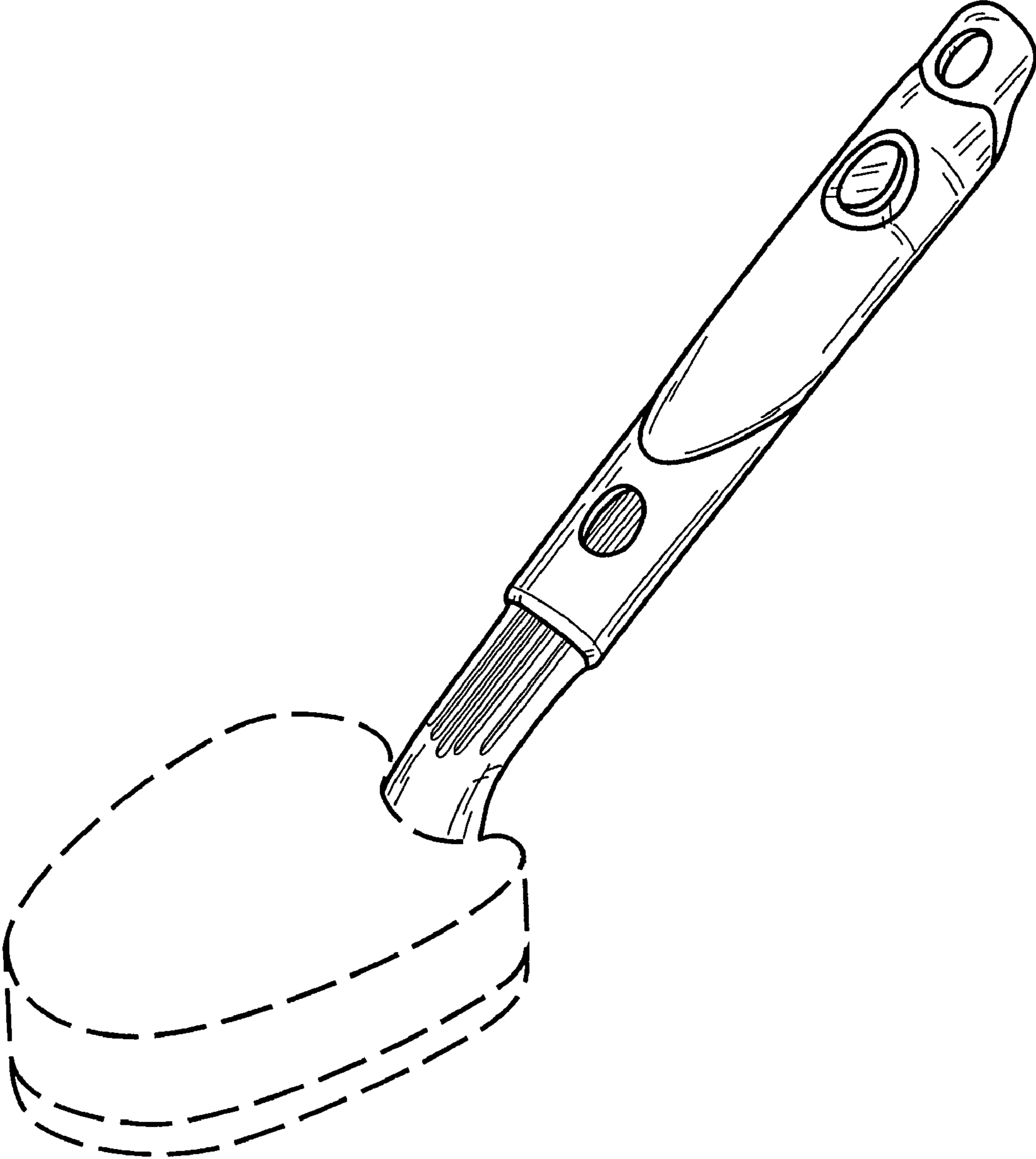


FIG:1

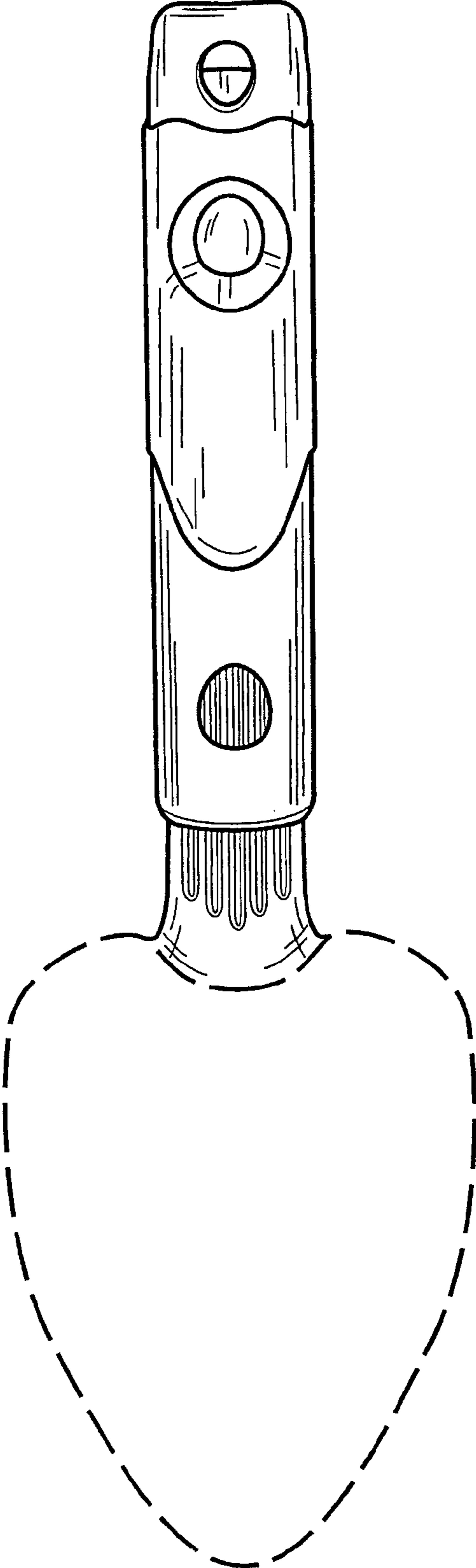


FIG:2

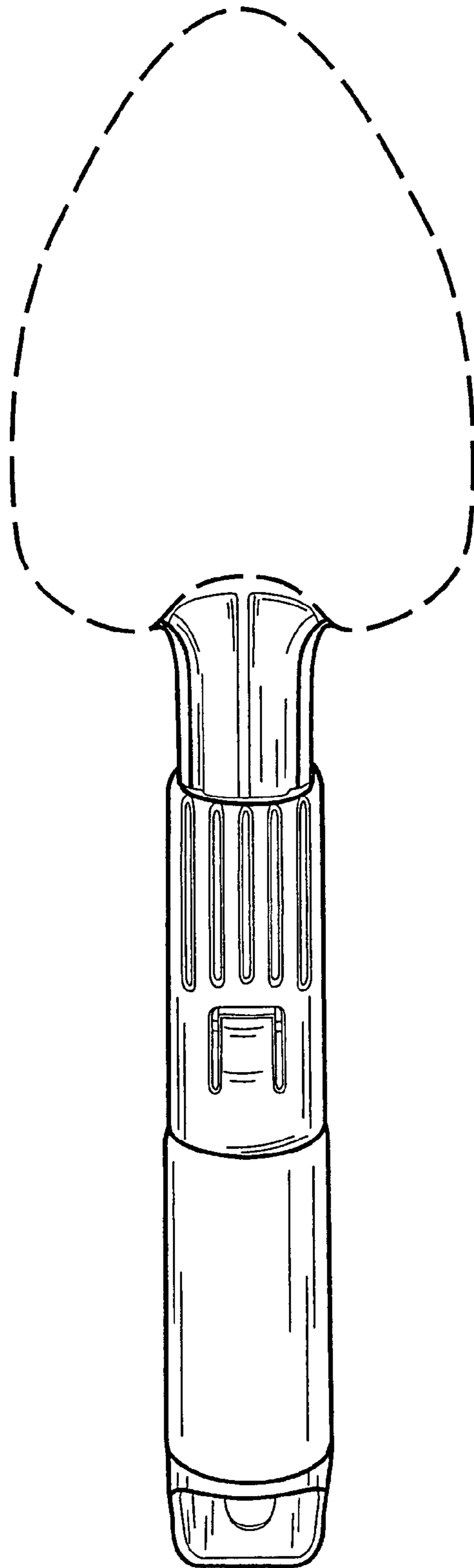


FIG:3

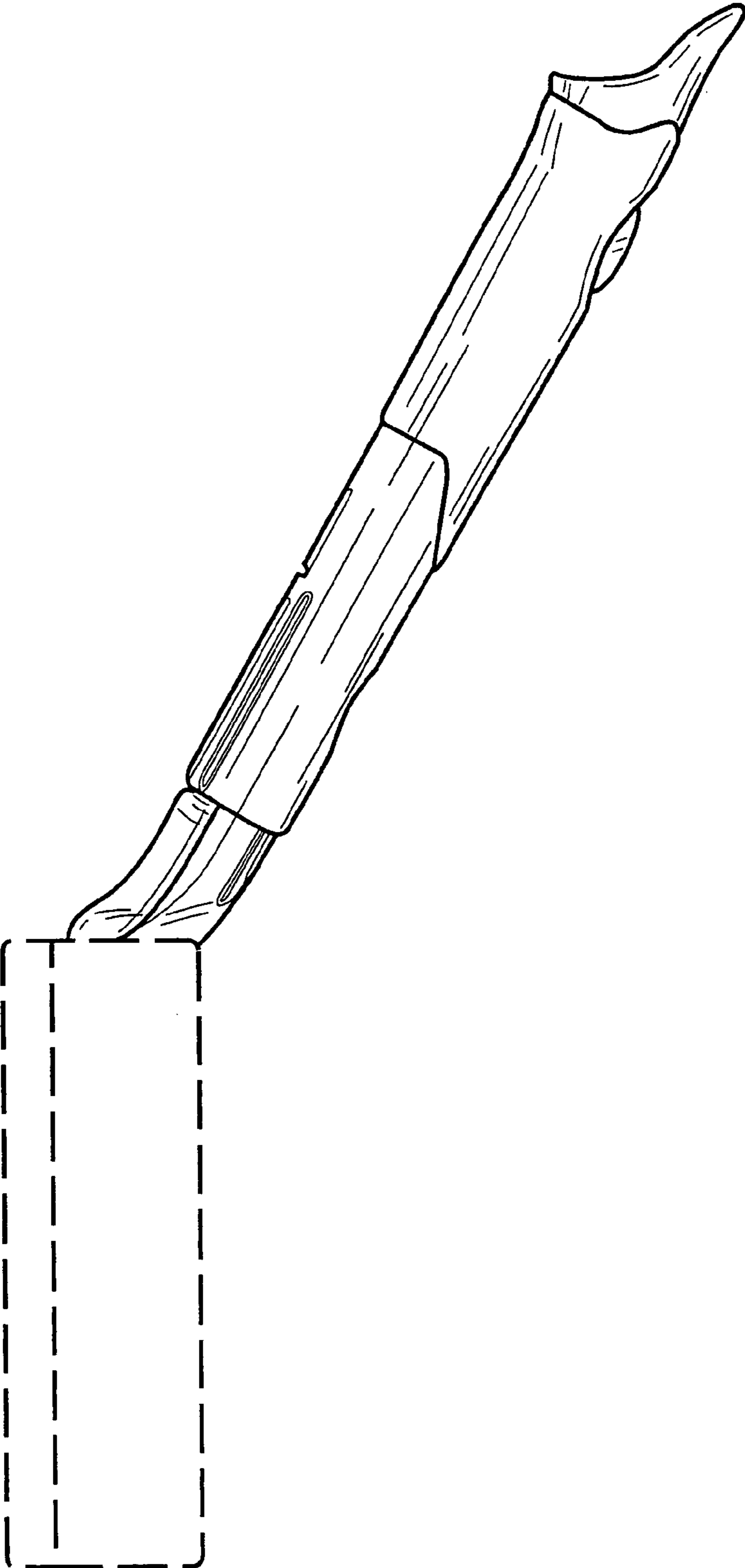


FIG:4

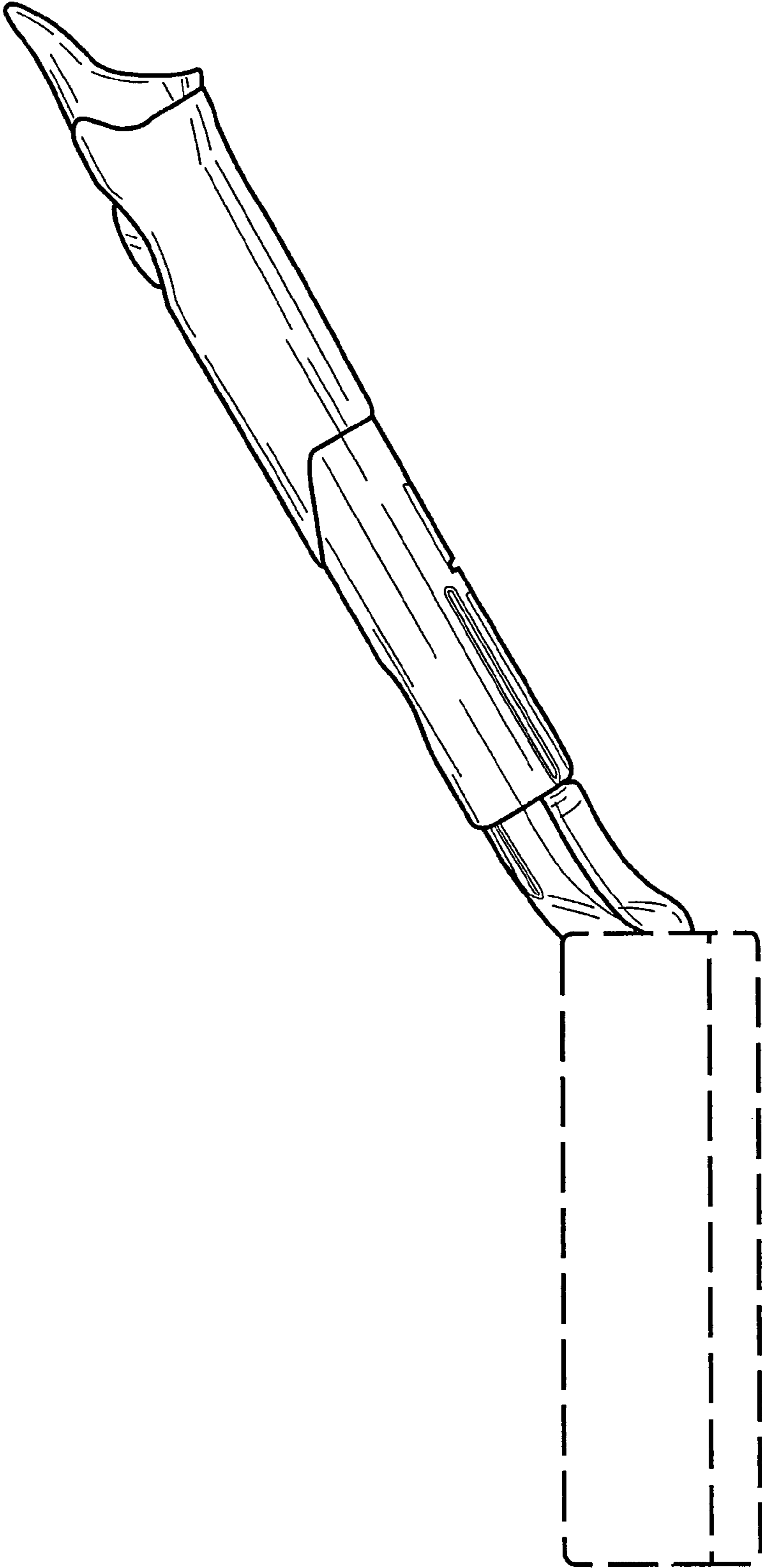


FIG:5

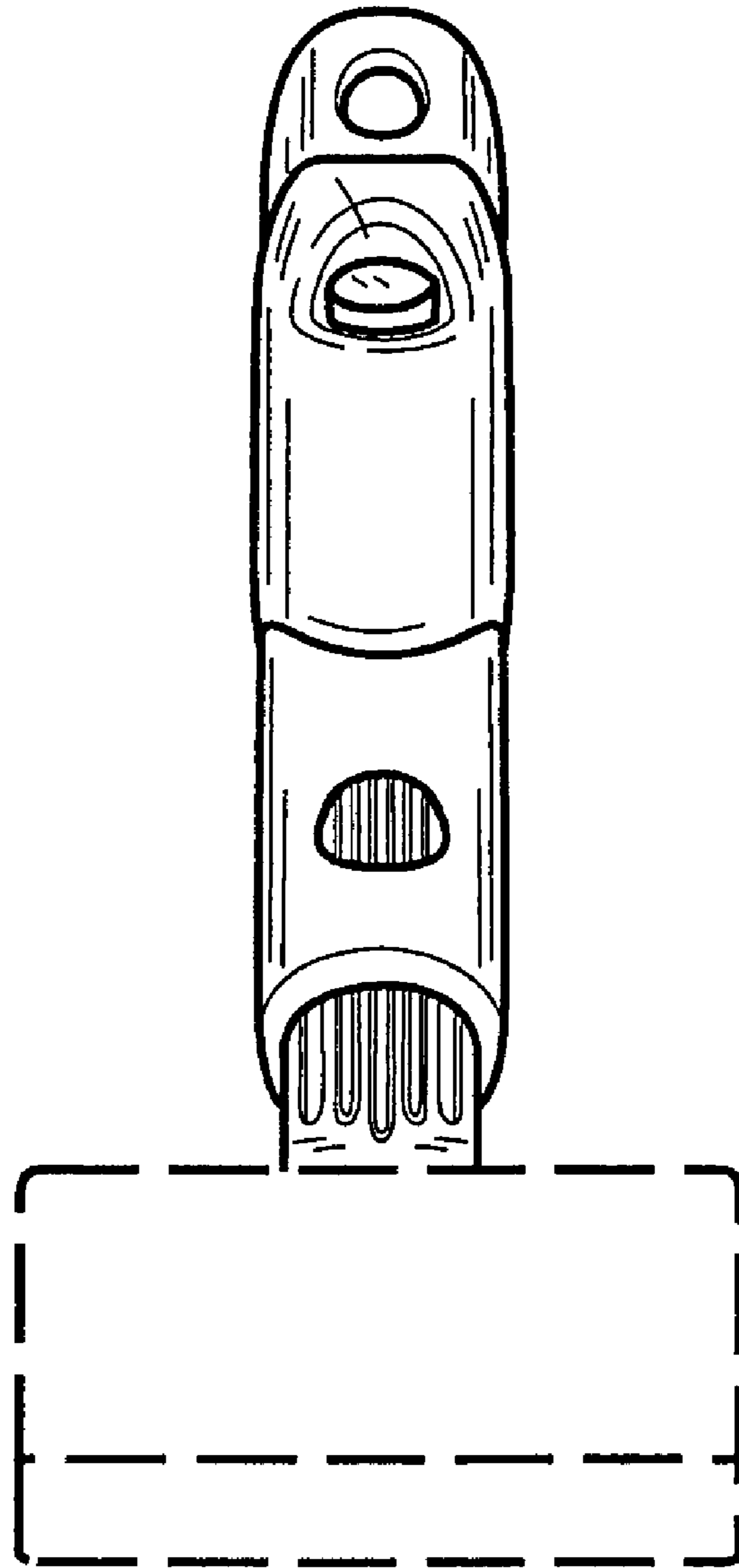


FIG:6

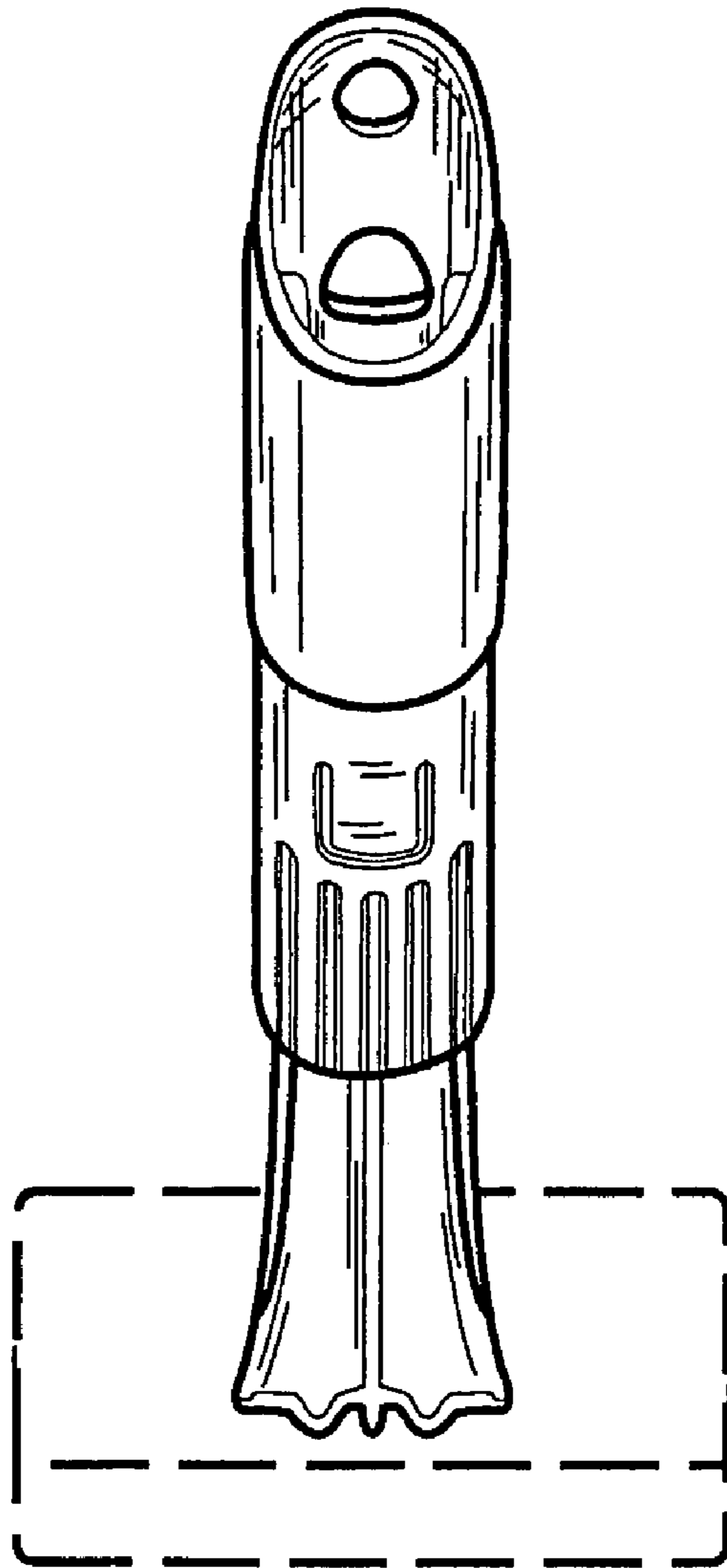


FIG:7

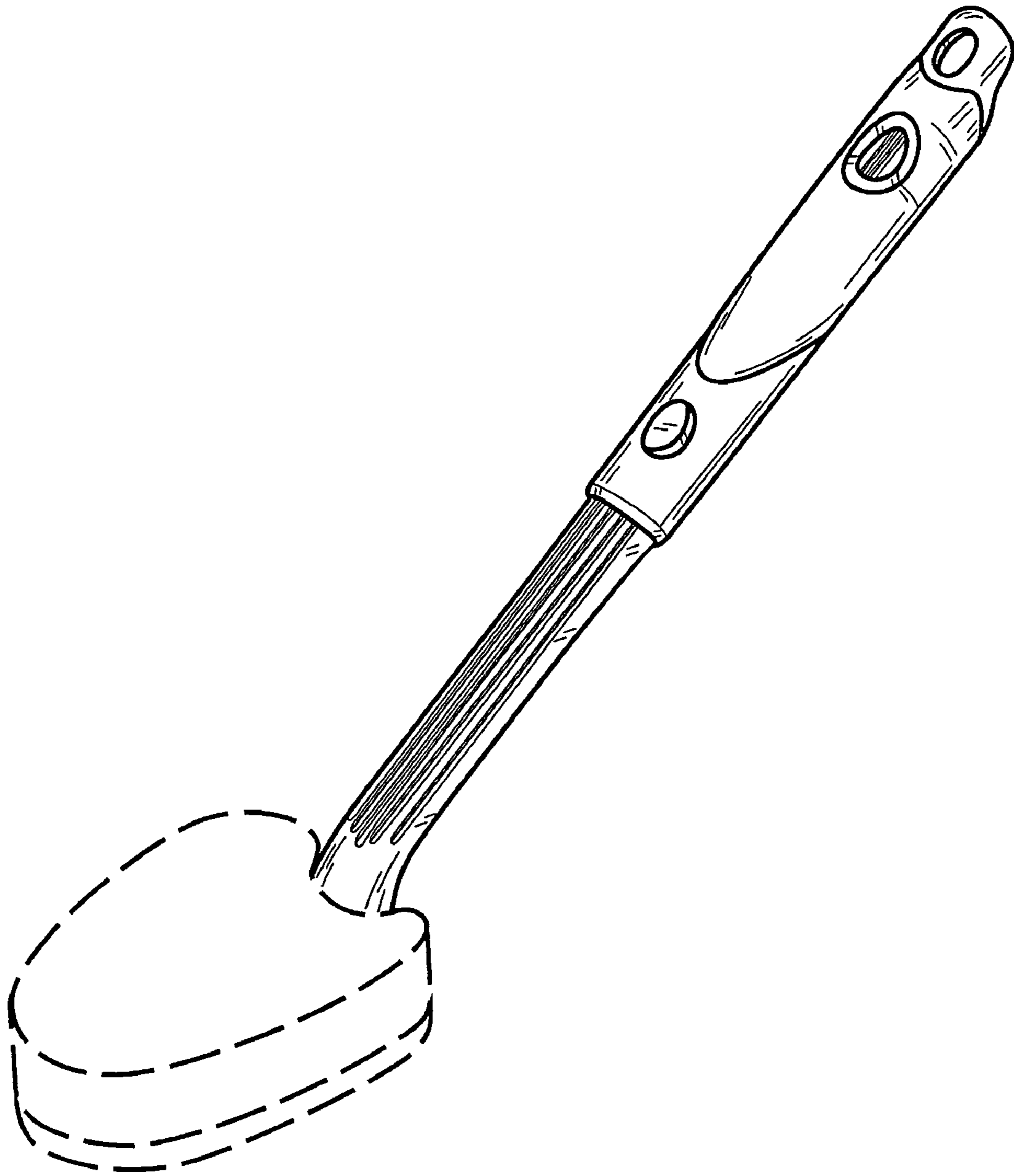


FIG:8

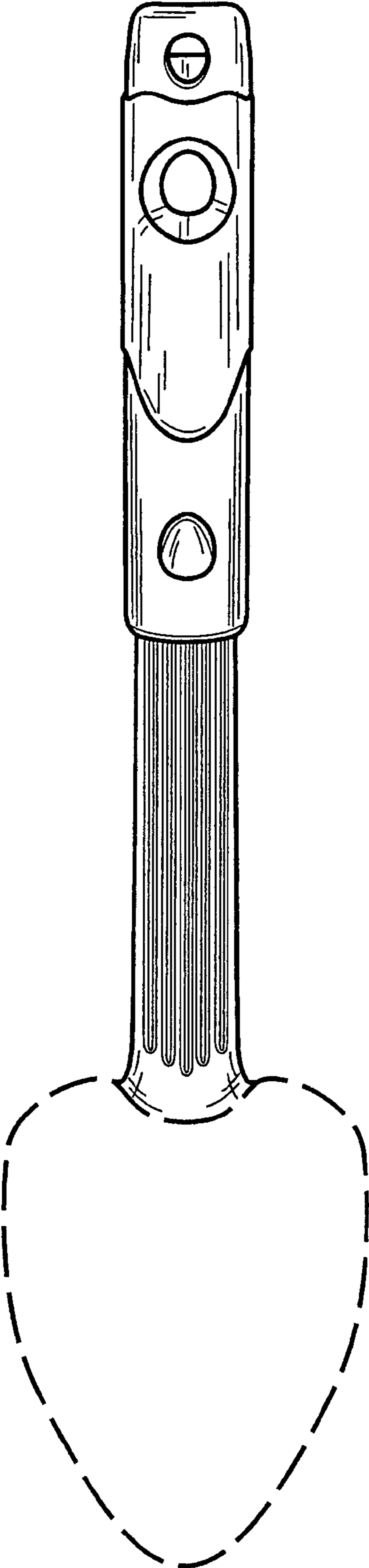


FIG:9

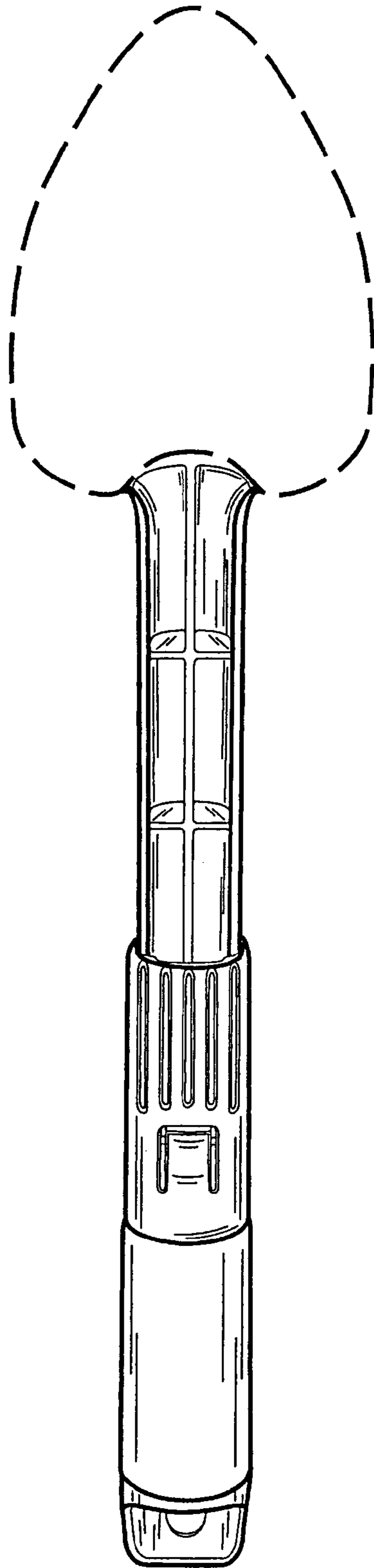


FIG:10

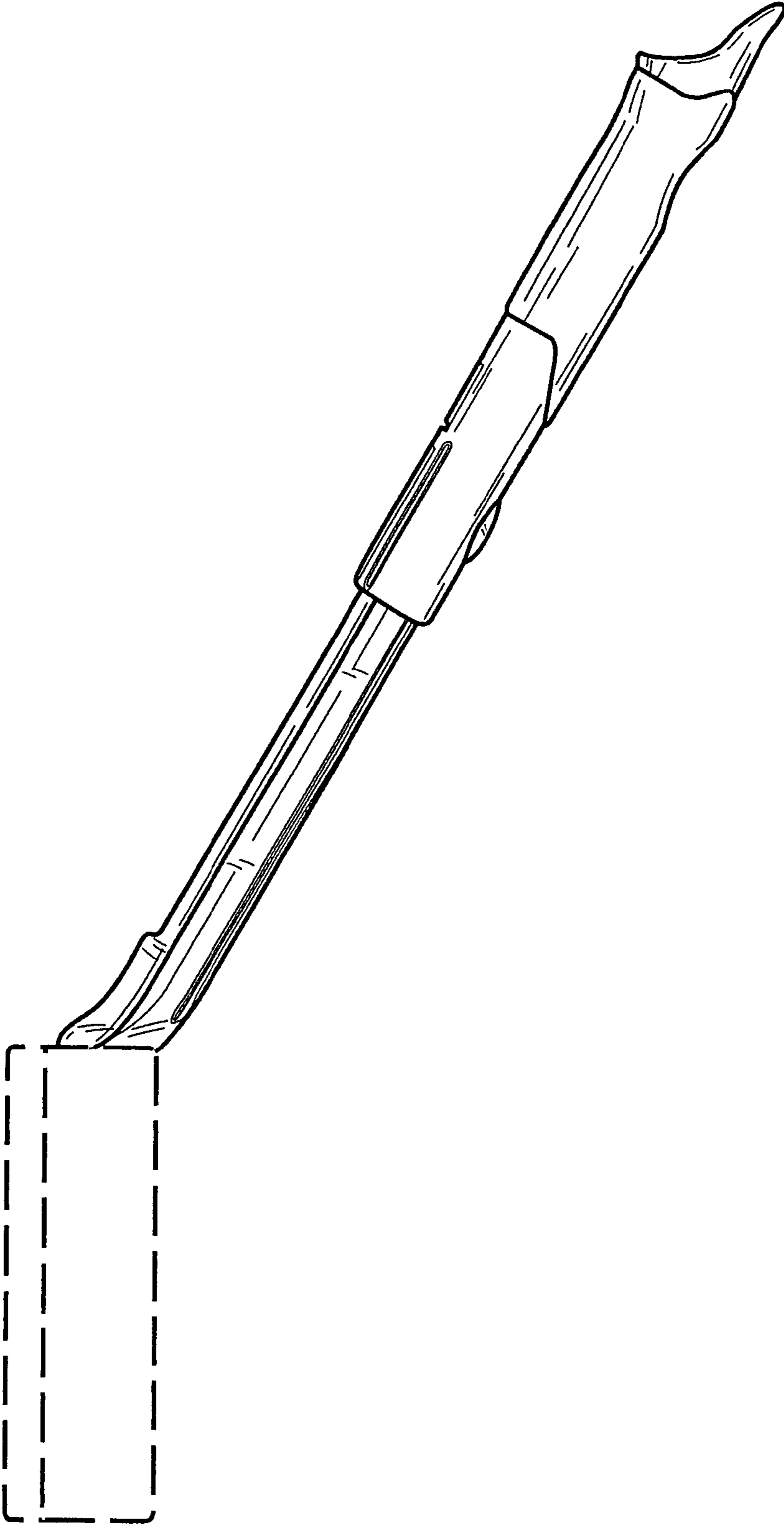


FIG:11

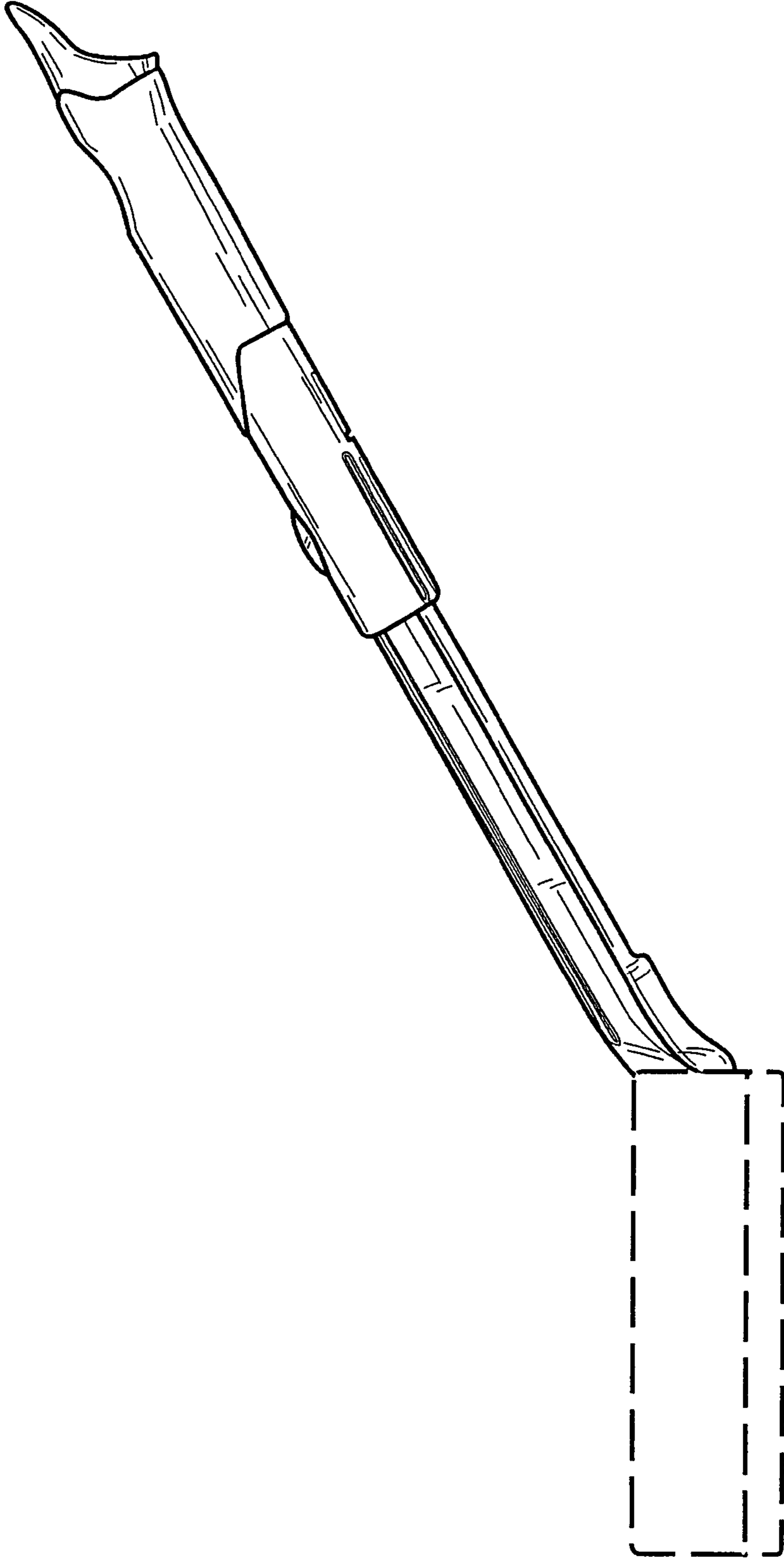


FIG:12

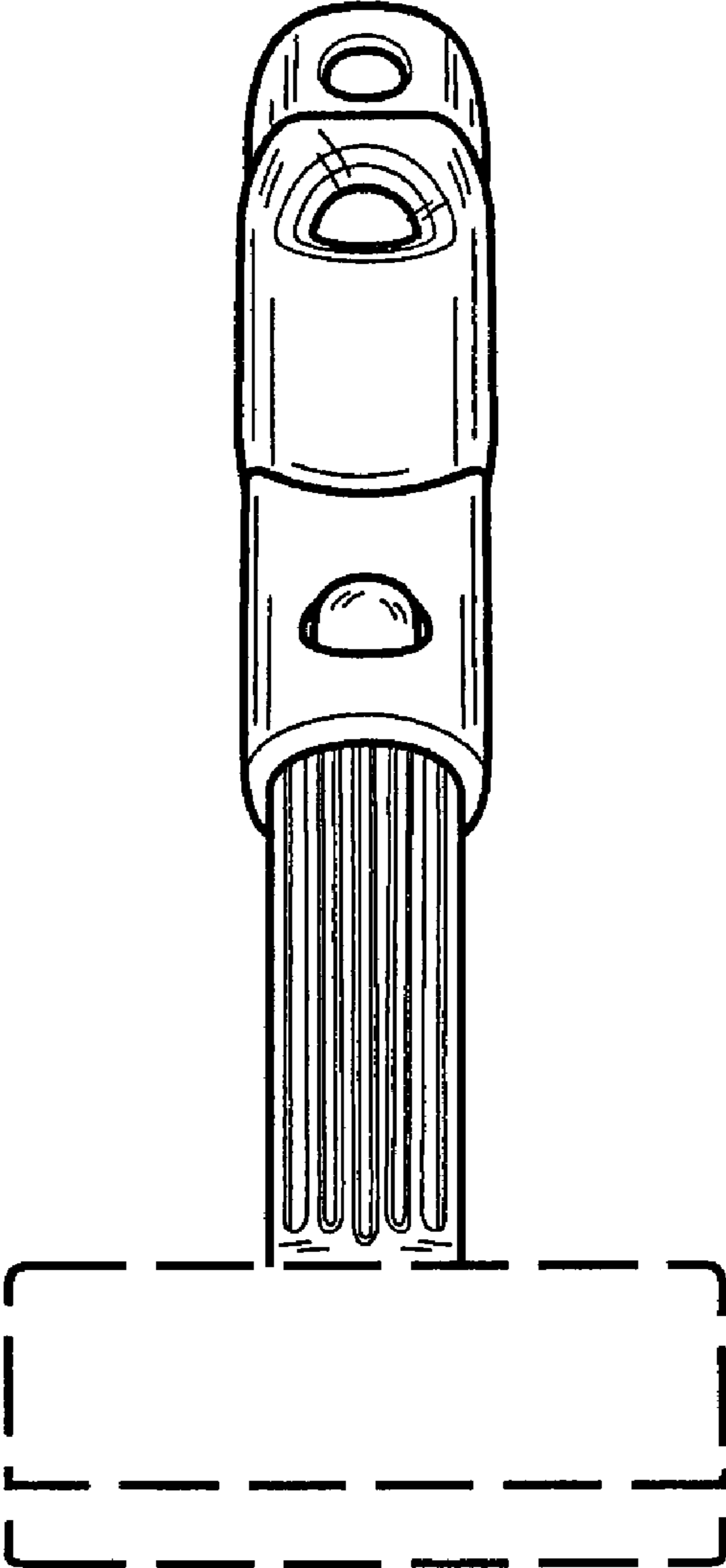


FIG:13

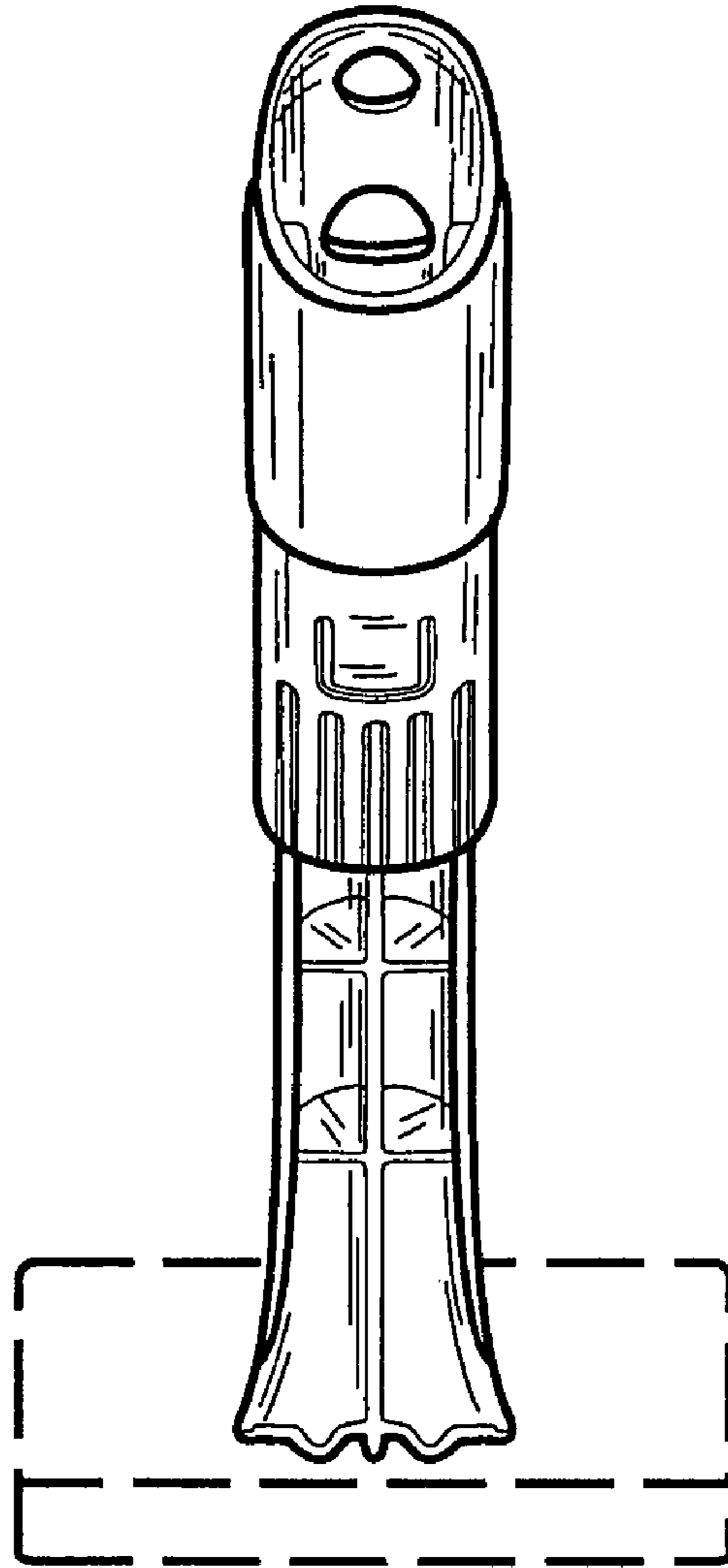


FIG:14

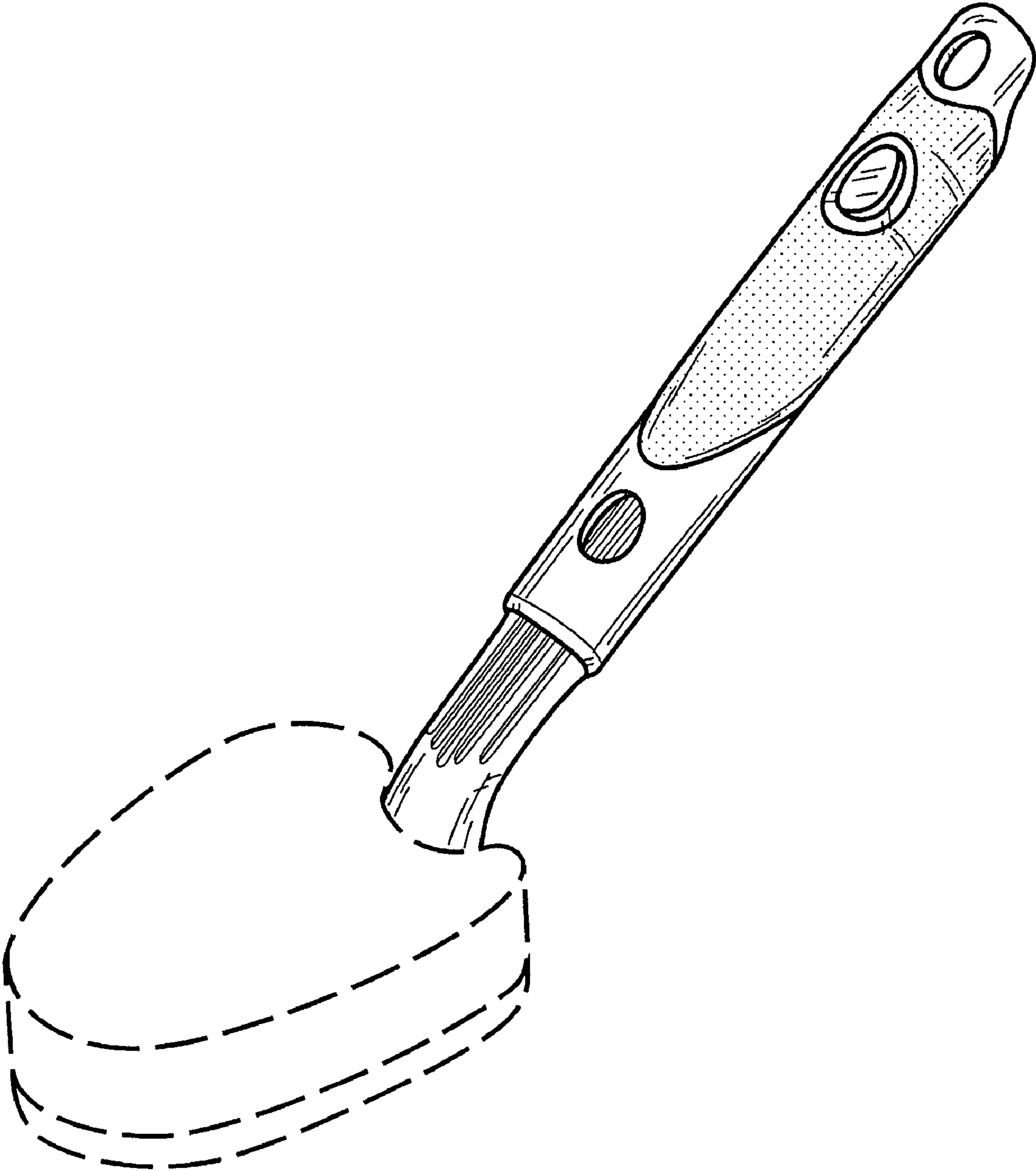


FIG:15

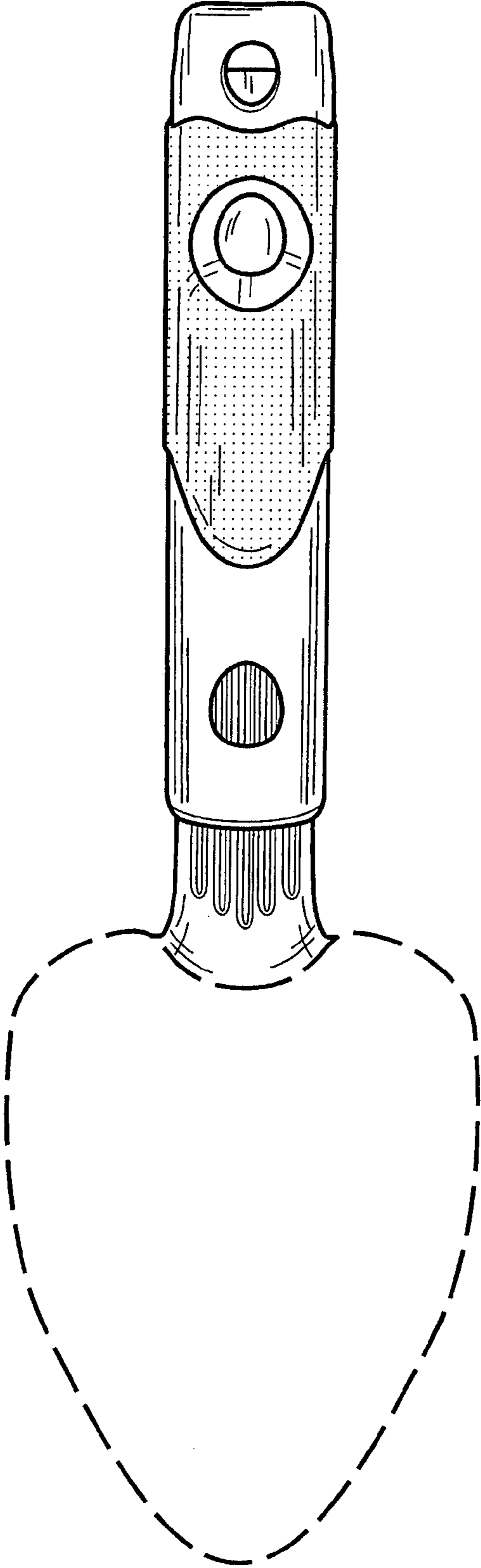


FIG:16

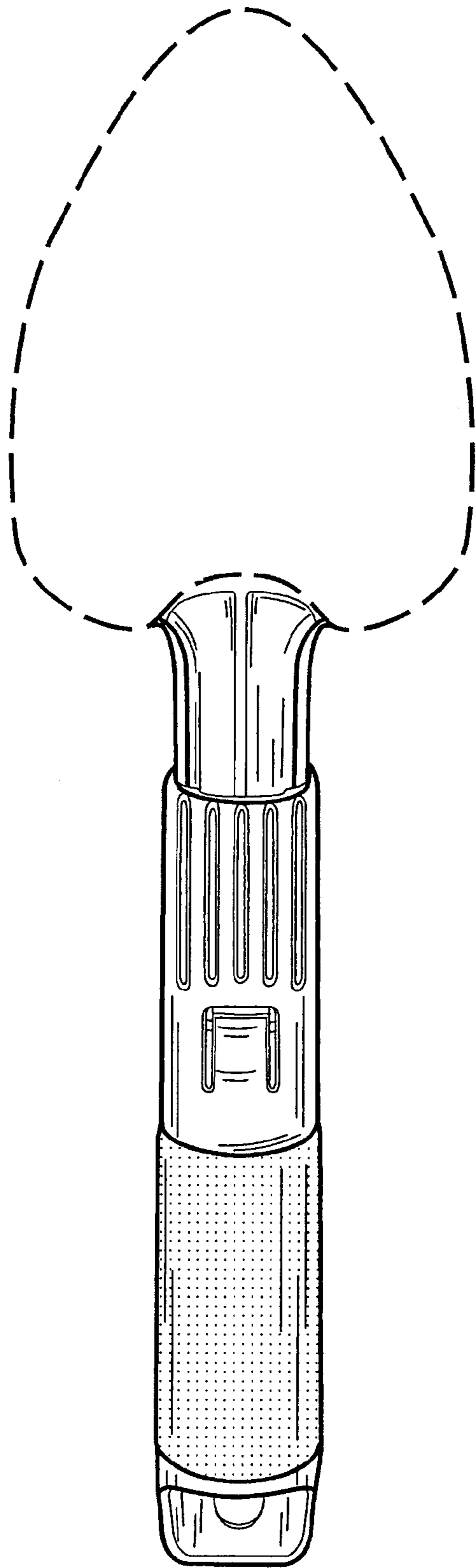


FIG:17

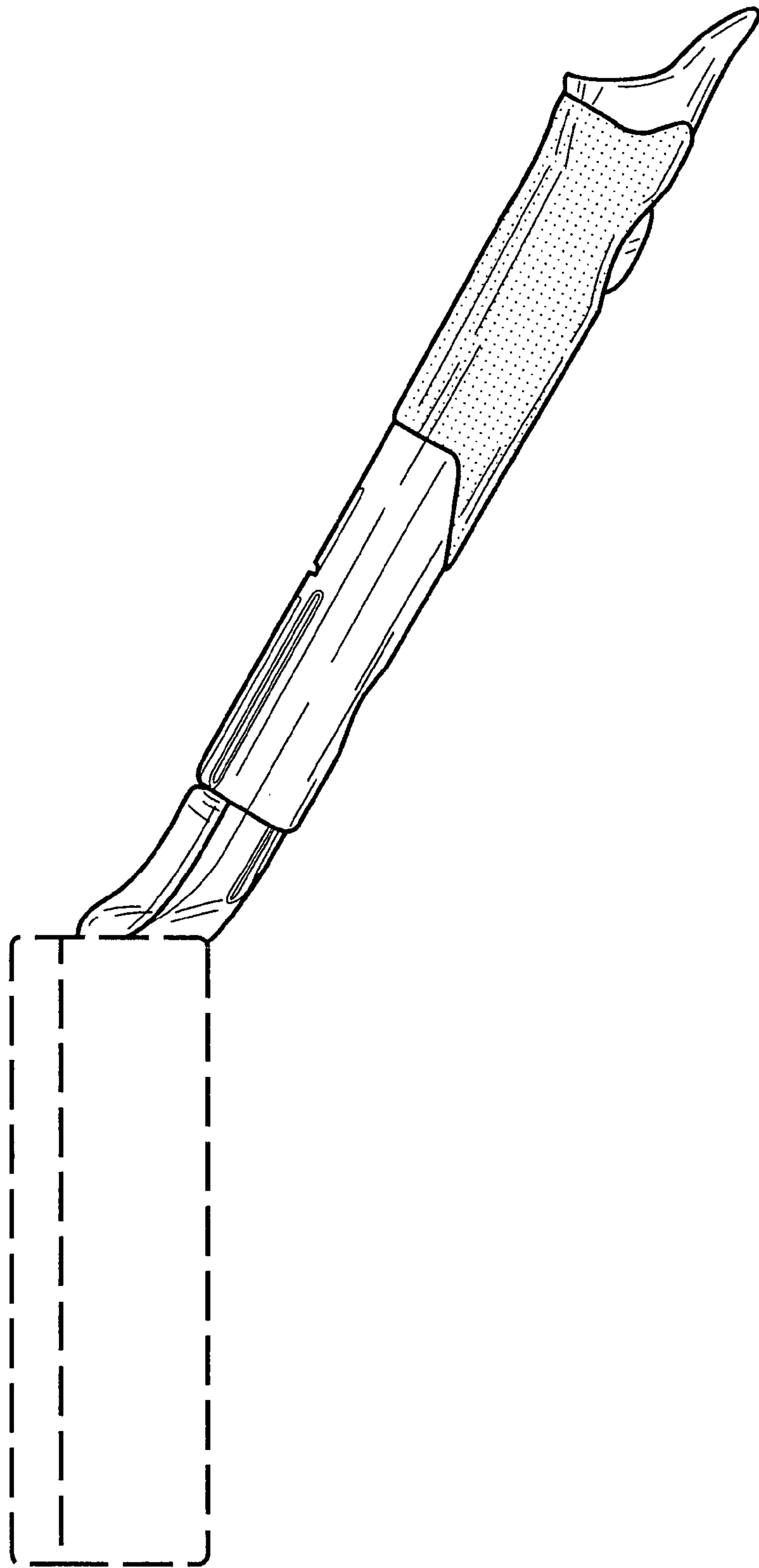


FIG:18

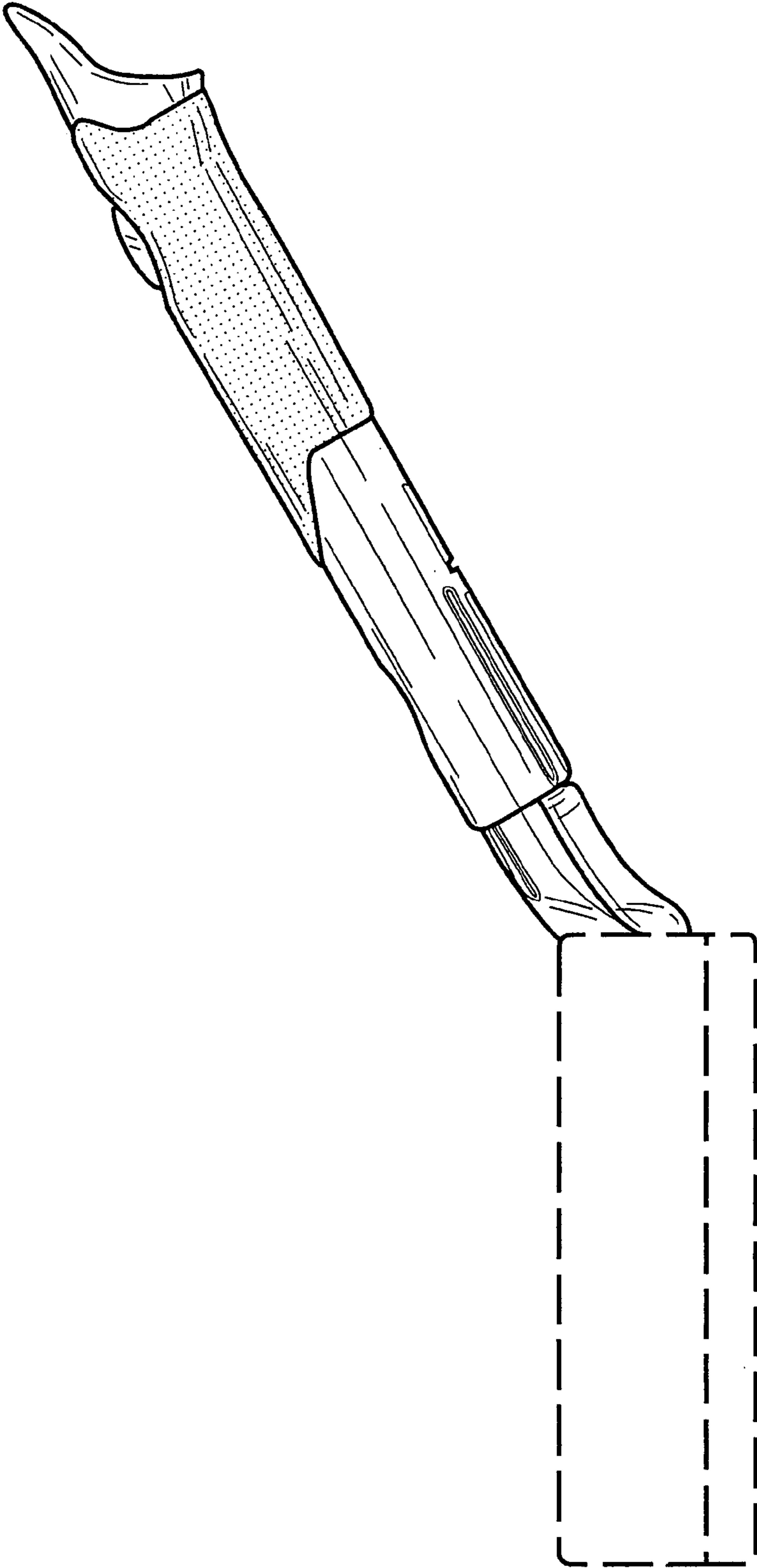


FIG:19

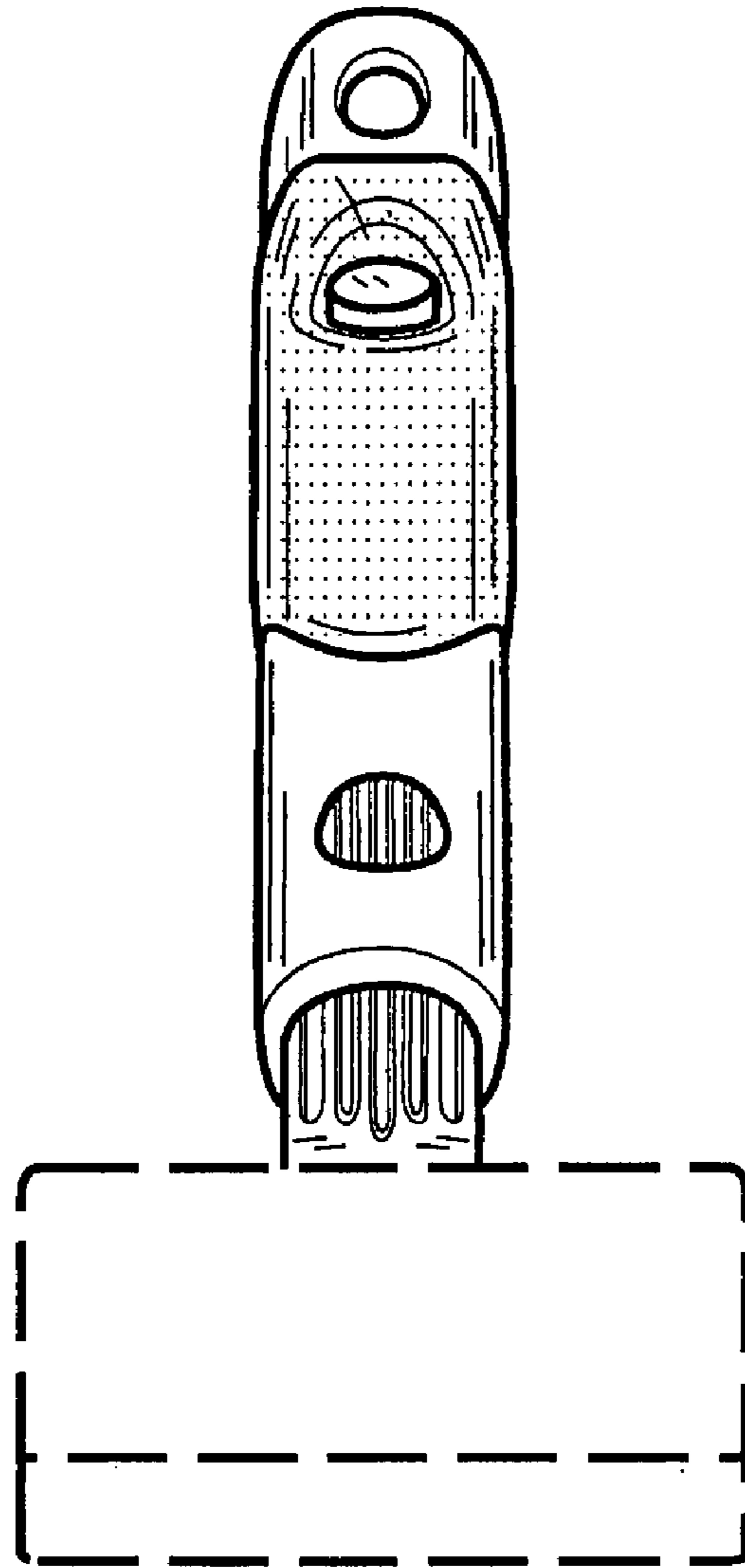


FIG:20

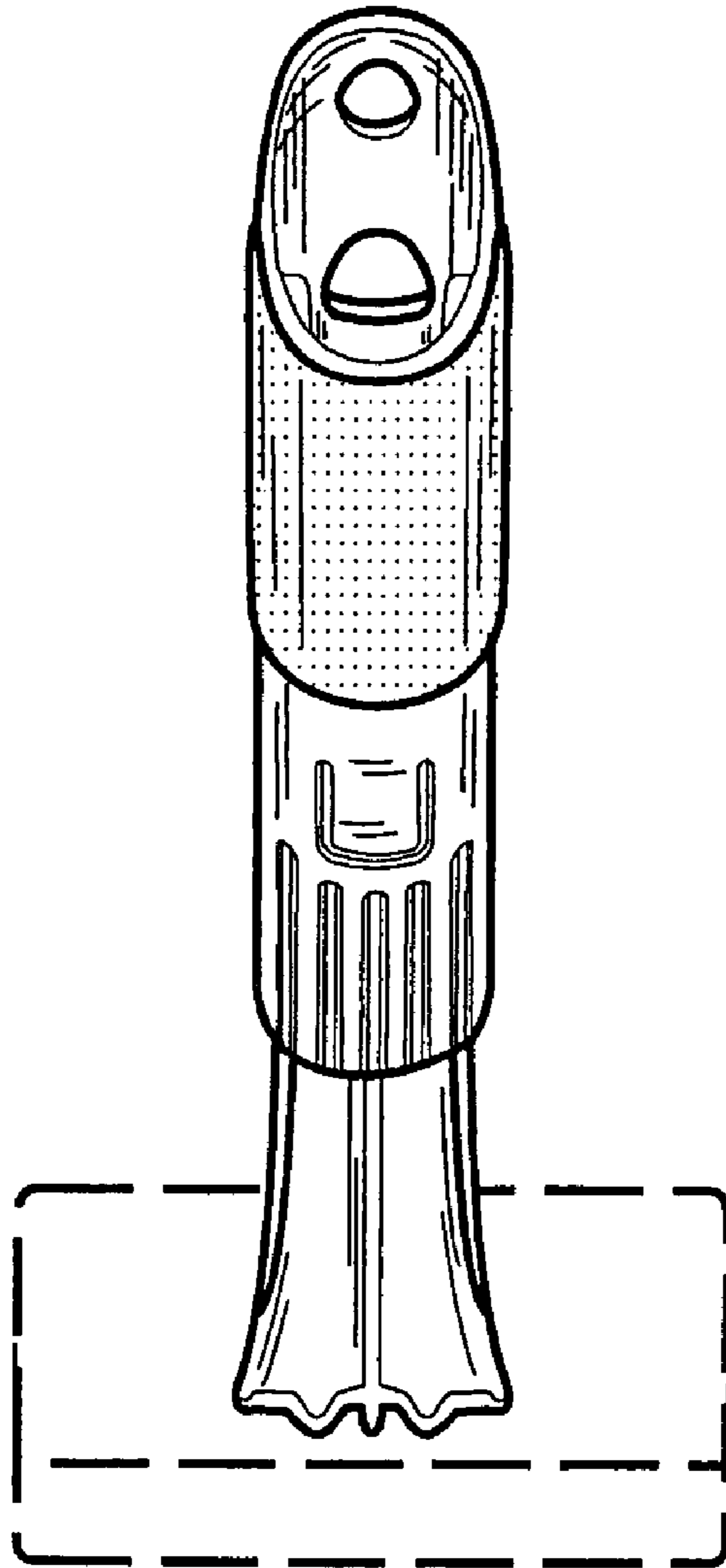


FIG:21

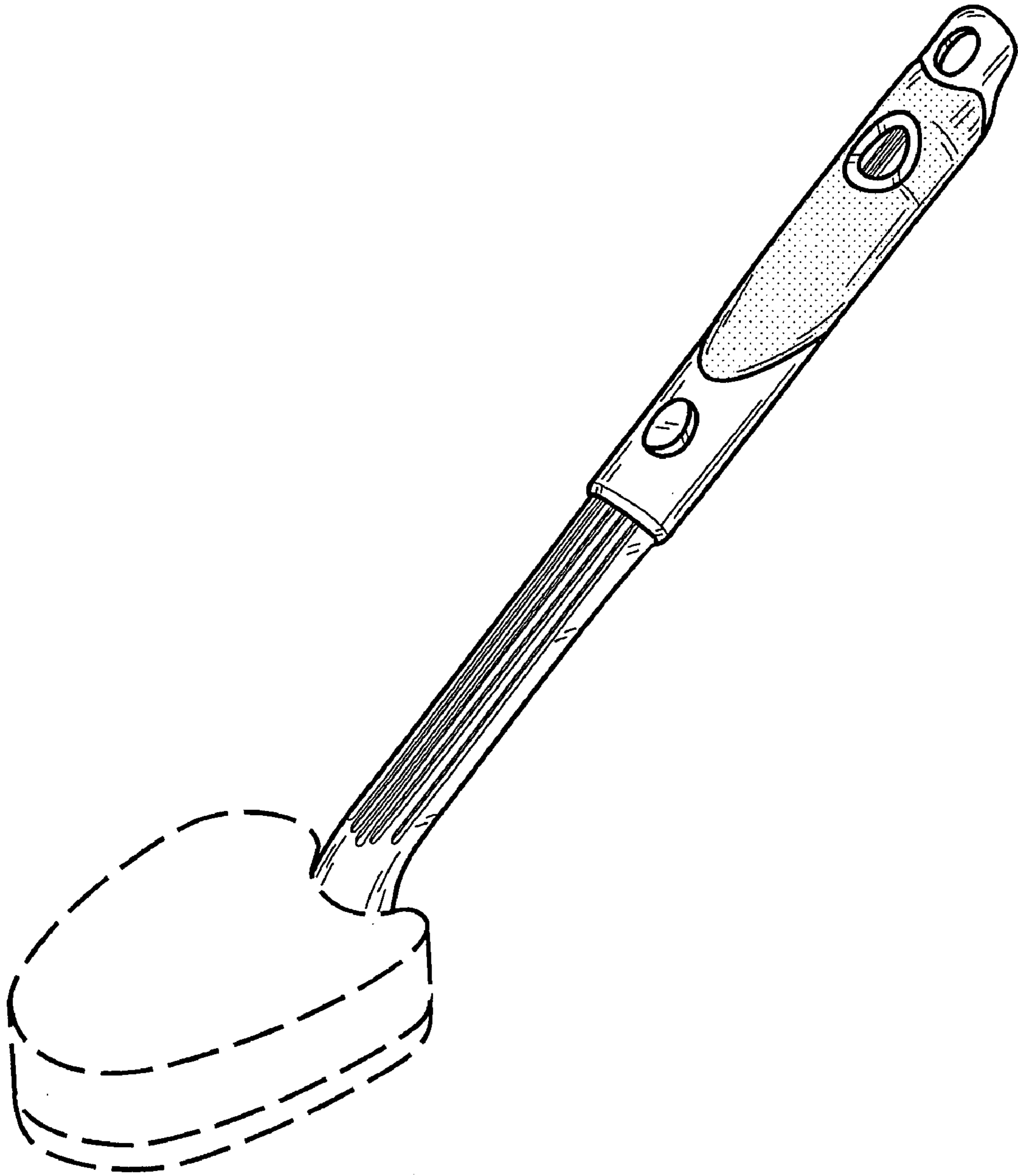


FIG:22

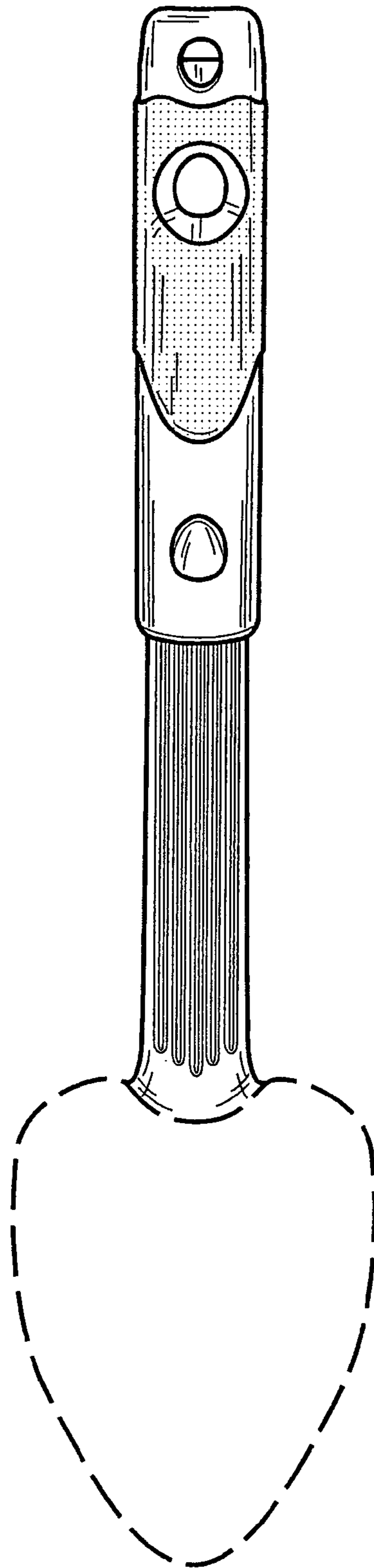


FIG:23

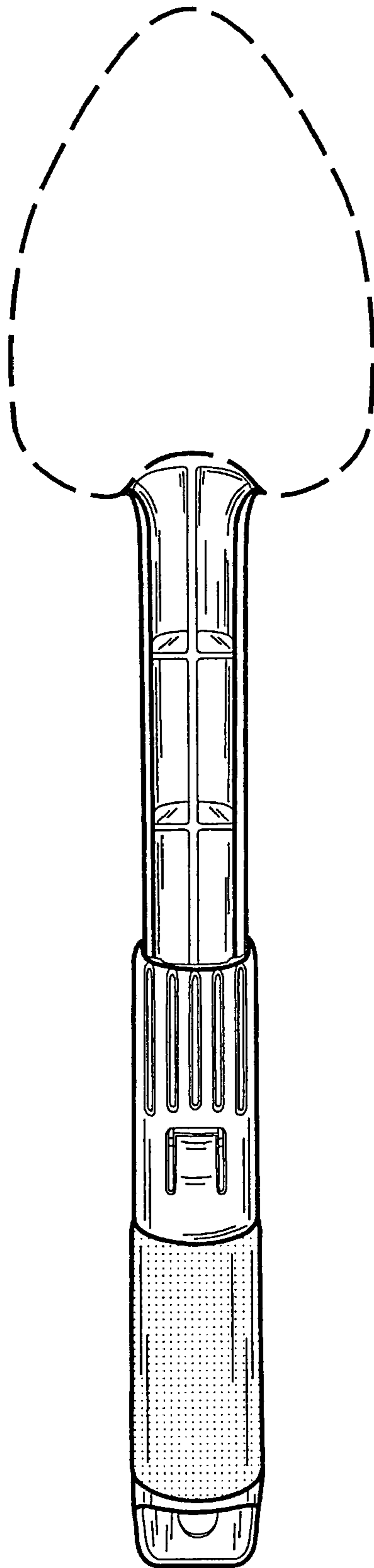


FIG:24

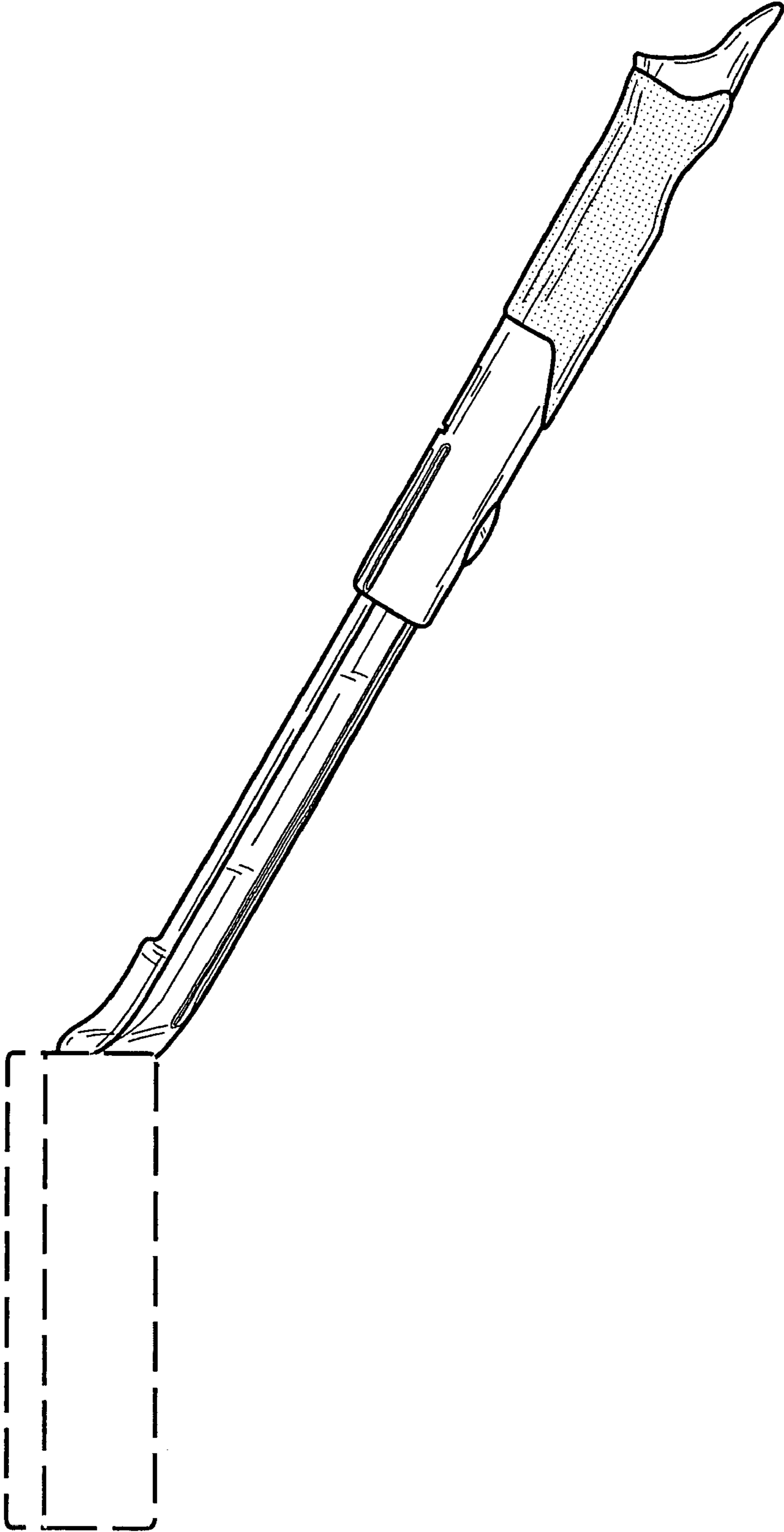


FIG:25

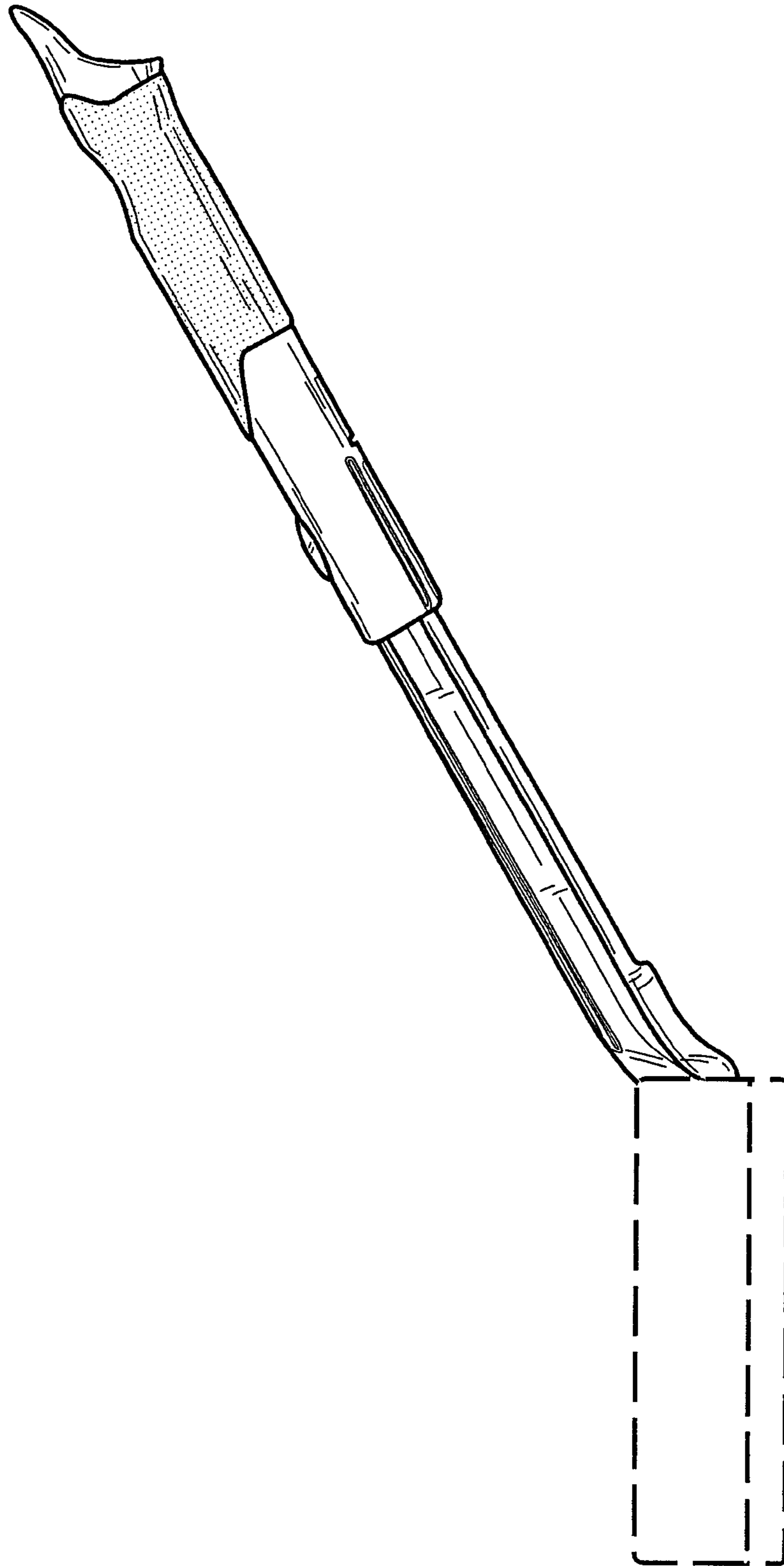


FIG:26

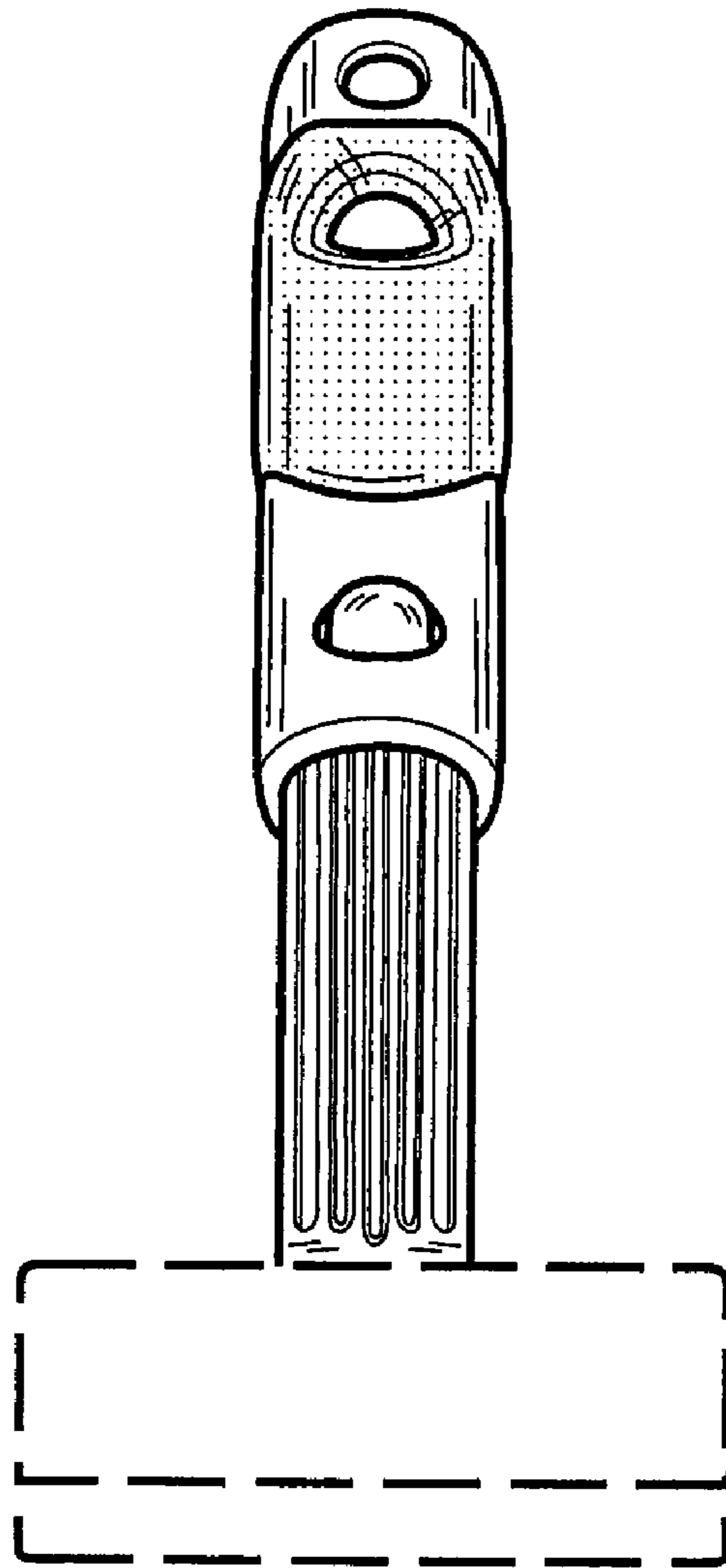


FIG:27

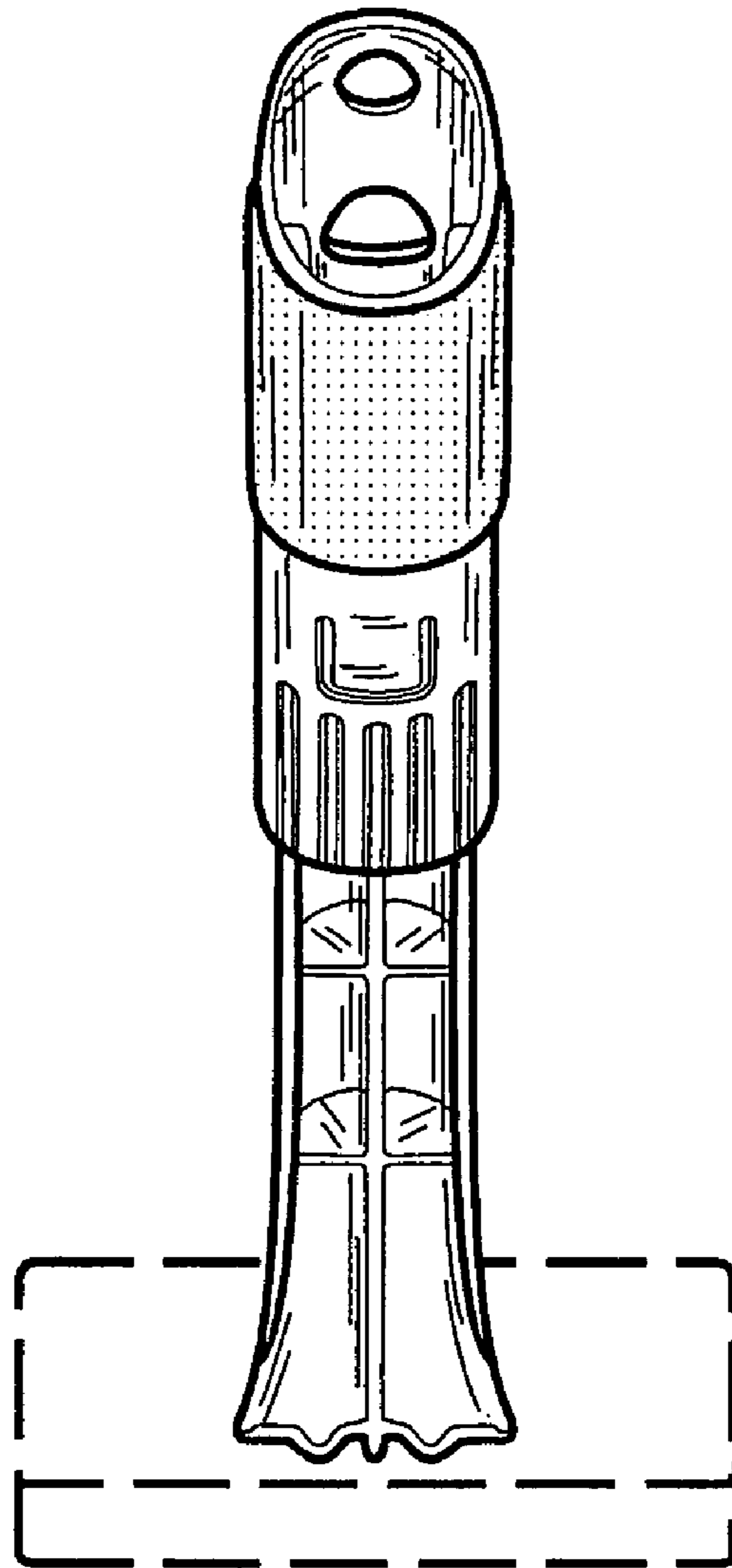


FIG:28