



US00D559489S

(12) **United States Design Patent**  
**Li**

(10) **Patent No.:** **US D559,489 S**

(45) **Date of Patent:** **\*\* Jan. 8, 2008**

(54) **TUB SCRUBBER**

(75) Inventor: **Quan Li**, Queens, NY (US)

(73) Assignee: **Casabella Holdings LLC**, Blauvelt, NY (US)

(\*\*) Term: **14 Years**

(21) Appl. No.: **29/274,227**

(22) Filed: **Apr. 6, 2007**

(51) **LOC (8) Cl.** ..... **04-01**

(52) **U.S. Cl.** ..... **D32/50**

(58) **Field of Classification Search** ..... D32/50-52,  
D32/40; 15/115, 119.2, 116.2, 118, 229.3,  
15/229.6-229.8, 228, 220.1, 244.1  
See application file for complete search history.

(56) **References Cited**

**U.S. PATENT DOCUMENTS**

D173,052	S	*	9/1954	Cassia	.....	D32/45
3,339,220	A	*	9/1967	Barry	.....	15/233
3,403,420	A	*	10/1968	MacLaughlin	.....	15/244.1
D402,776	S	*	12/1998	Carlson	.....	D32/50
5,862,565	A	*	1/1999	Lundstedt	.....	15/220.1
D479,377	S	*	9/2003	Savage	.....	D32/51
D506,050	S	*	6/2005	Lalanne et al.	.....	D32/45
D508,155	S	*	8/2005	Villahoz	.....	D32/45
6,928,687	B2	*	8/2005	Post et al.	.....	15/220.1

6,973,695 B1 \* 12/2005 Nesler ..... 15/220.1

\* cited by examiner

*Primary Examiner*—Pamela J. Burgess

(74) *Attorney, Agent, or Firm*—Venable LLP; Michael R. Graif; Steven J. Schwarz

(57) **CLAIM**

The ornamental design for a tub scrubber, as shown and described.

**DESCRIPTION**

FIG. 1 is a perspective view of an embodiment of the tub scrubber of the claimed design;

FIG. 2 is a front elevational view of the tub scrubber of FIG. 1;

FIG. 3 is a rear elevational view of the tub scrubber of FIG. 1;

FIG. 4 is a right side elevational view of the tub scrubber of FIG. 1;

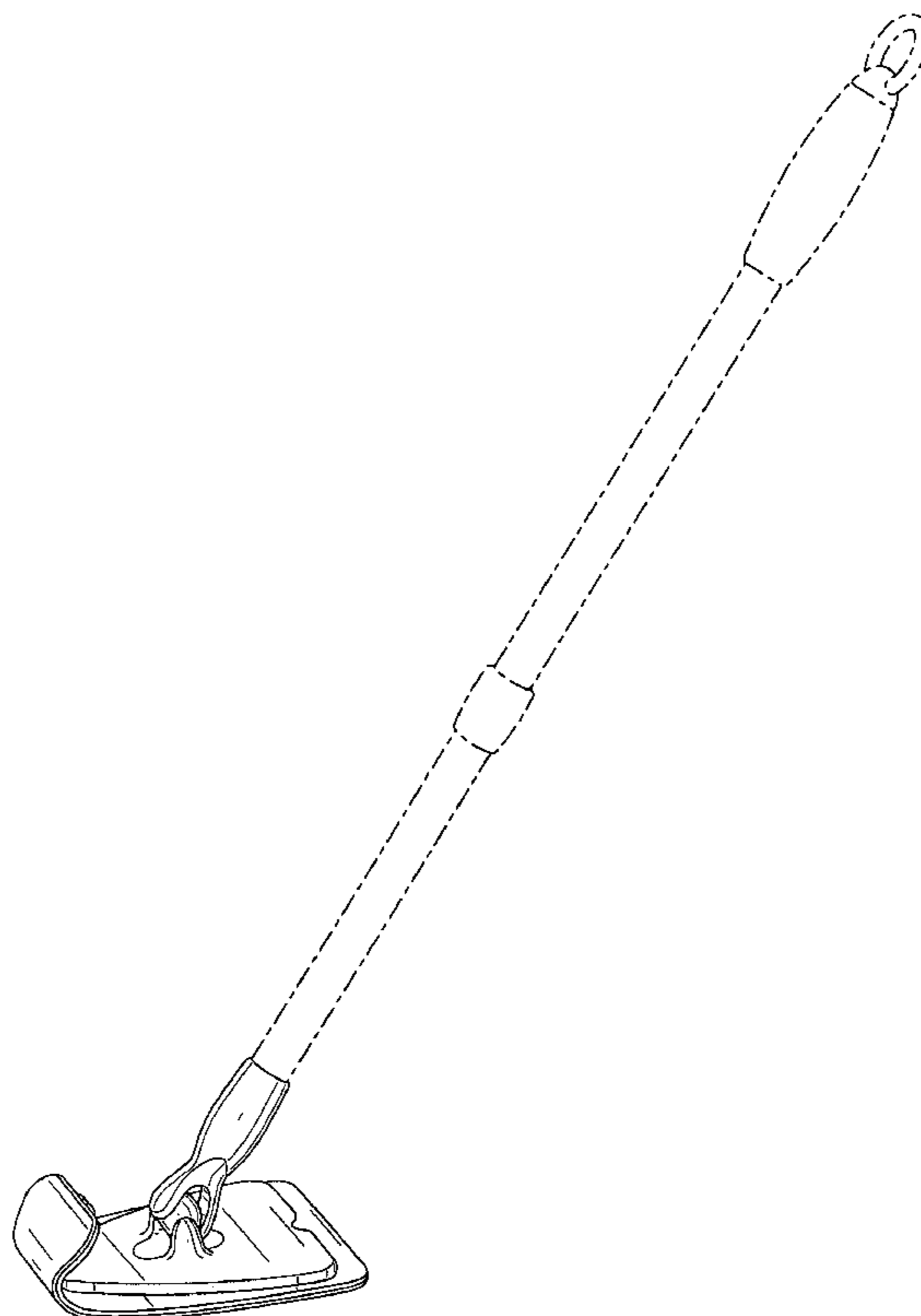
FIG. 5 is a left side elevational view of the tub scrubber of FIG. 1;

FIG. 6 is a top plan view of the tub scrubber of FIG. 1; and,

FIG. 7 is a bottom plan view of the tub scrubber of FIG. 1.

The features shown in broken lines are environment only and not part of the claimed design.

**1 Claim, 4 Drawing Sheets**



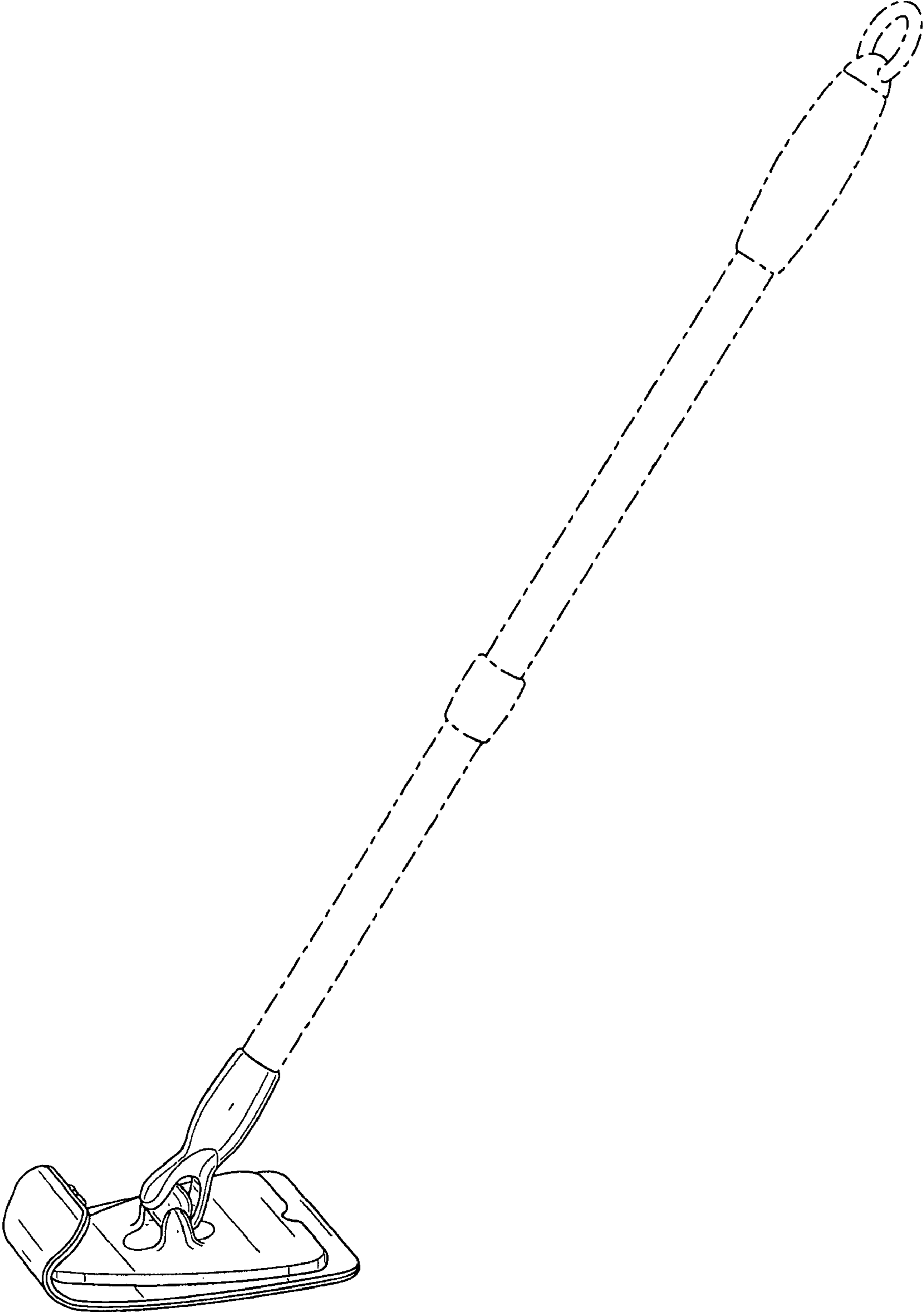


FIG. 1

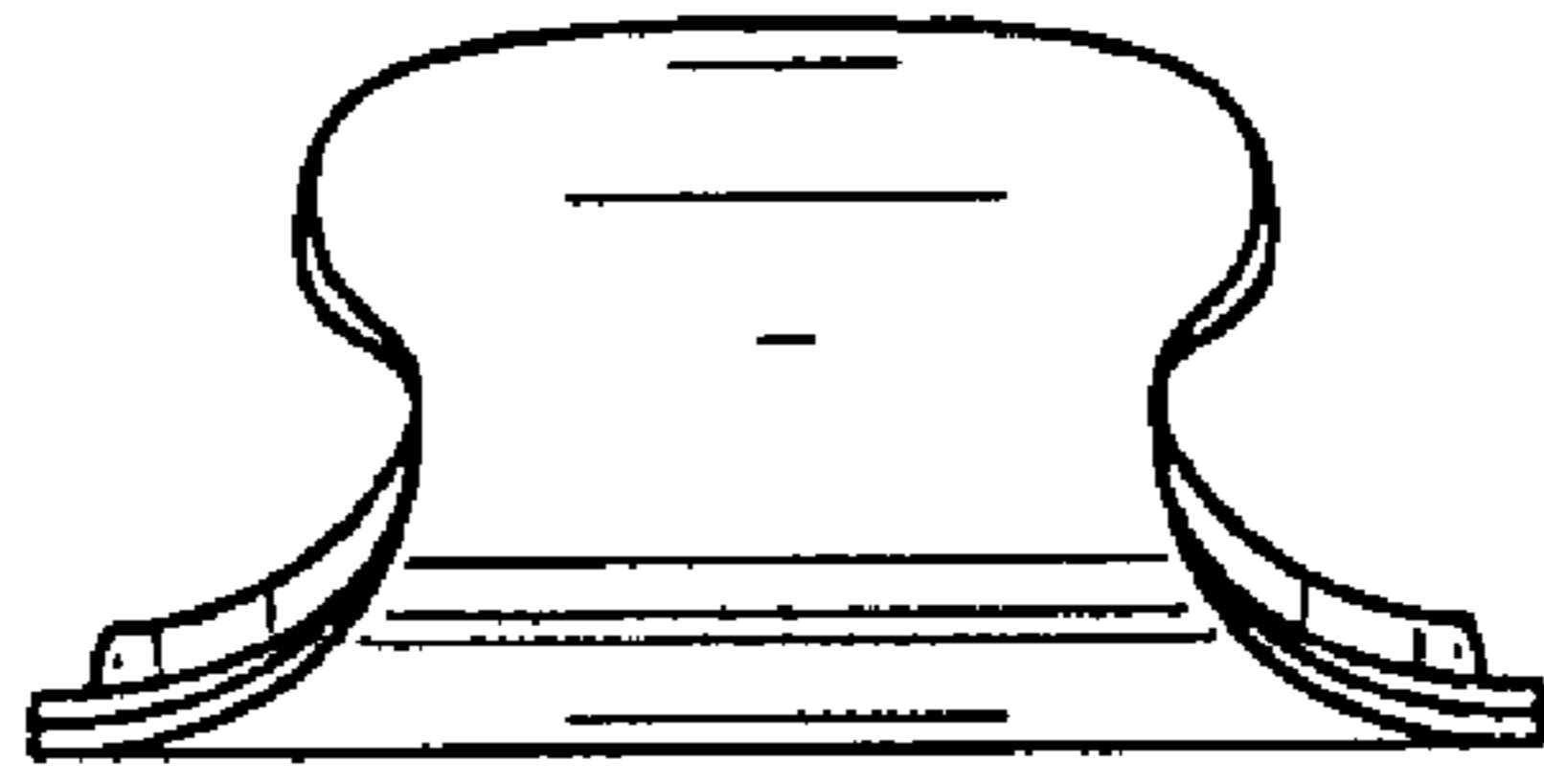


FIG. 2

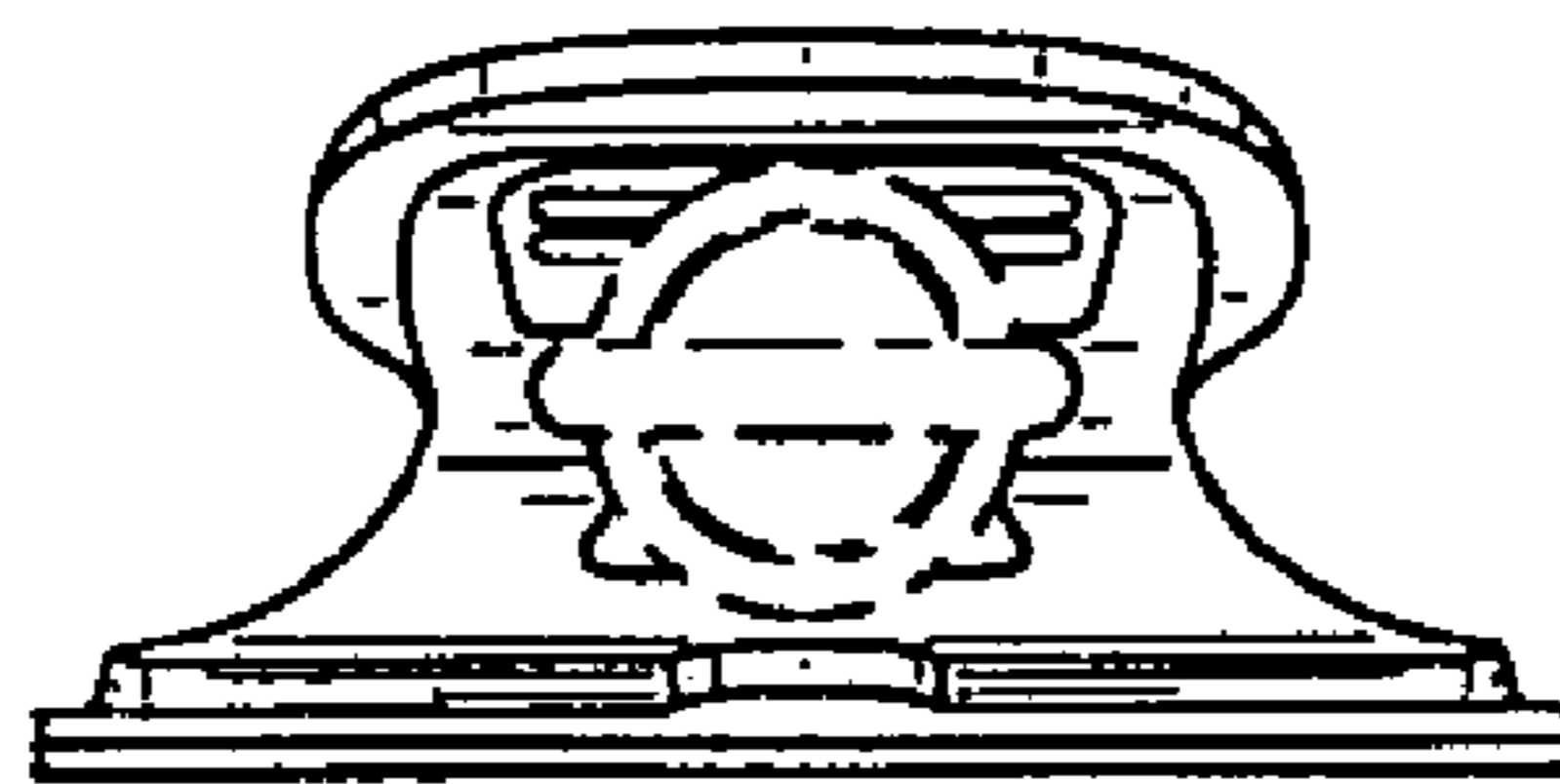


FIG. 3

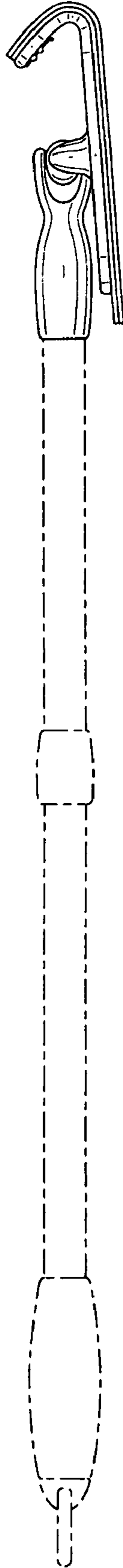


FIG. 4

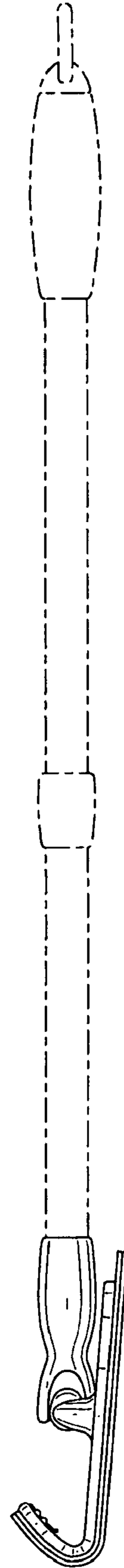


FIG. 5

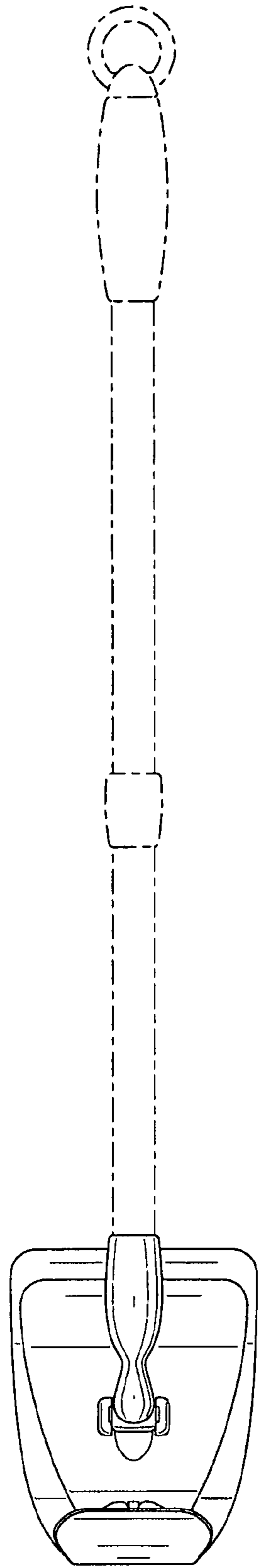


FIG. 6

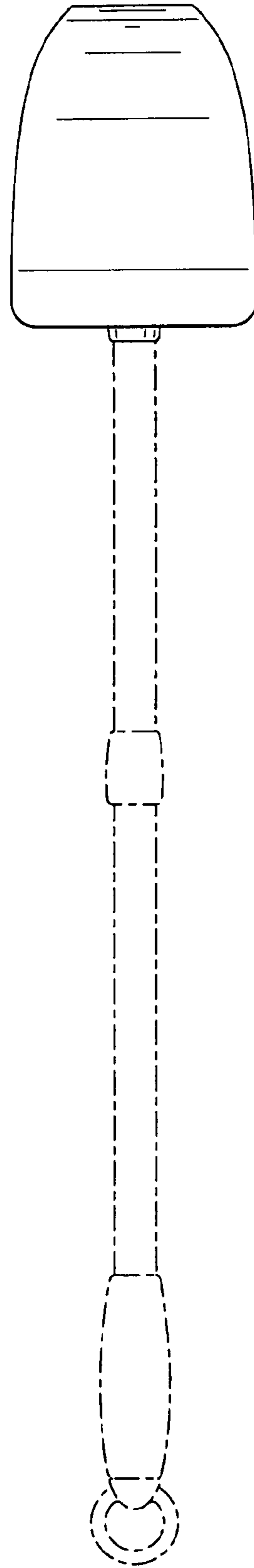


FIG. 7