



US00D559487S

(12) **United States Design Patent**
Kohut et al.

(10) **Patent No.:** **US D559,487 S**

(45) **Date of Patent:** **** Jan. 8, 2008**

(54) **TIRE CLEANING KIT**

D485,033 S * 1/2004 Colburn et al. D32/45
D496,766 S * 9/2004 Colburn et al. D32/45

(76) Inventors: **Christopher Kohut**, 509 University Ave., #105, Honolulu, HI (US) 96826;
Debbie L. Bowman, 509 University Ave., #105, Honolulu, HI (US) 96826

* cited by examiner

Primary Examiner—Pamela J. Burgess

(**) Term: **14 Years**

(57) **CLAIM**

(21) Appl. No.: **29/271,544**

The ornamental design for a tire cleaning kit, as shown and described.

(22) Filed: **Jan. 22, 2007**

DESCRIPTION

(51) **LOC (8) Cl.** **04-01**

FIG. 1 is a perspective view of my design;

(52) **U.S. Cl.** **D32/45; D4/137**

FIG. 2 is a front elevational view of my design, the opposite side view being a mirror image thereof;

(58) **Field of Classification Search** D32/40,
D32/43, 45, 51–52; 15/255.1, 159.1, 209.1;
D28/63; 401/203–204, 130, 137–139, 156,
401/196, 261–263

FIG. 3 is a top view of my design;

FIG. 4 is a left side view of my design;

FIG. 5 is a right side view of my design; and,

FIG. 6 is a bottom view of my design.

See application file for complete search history.

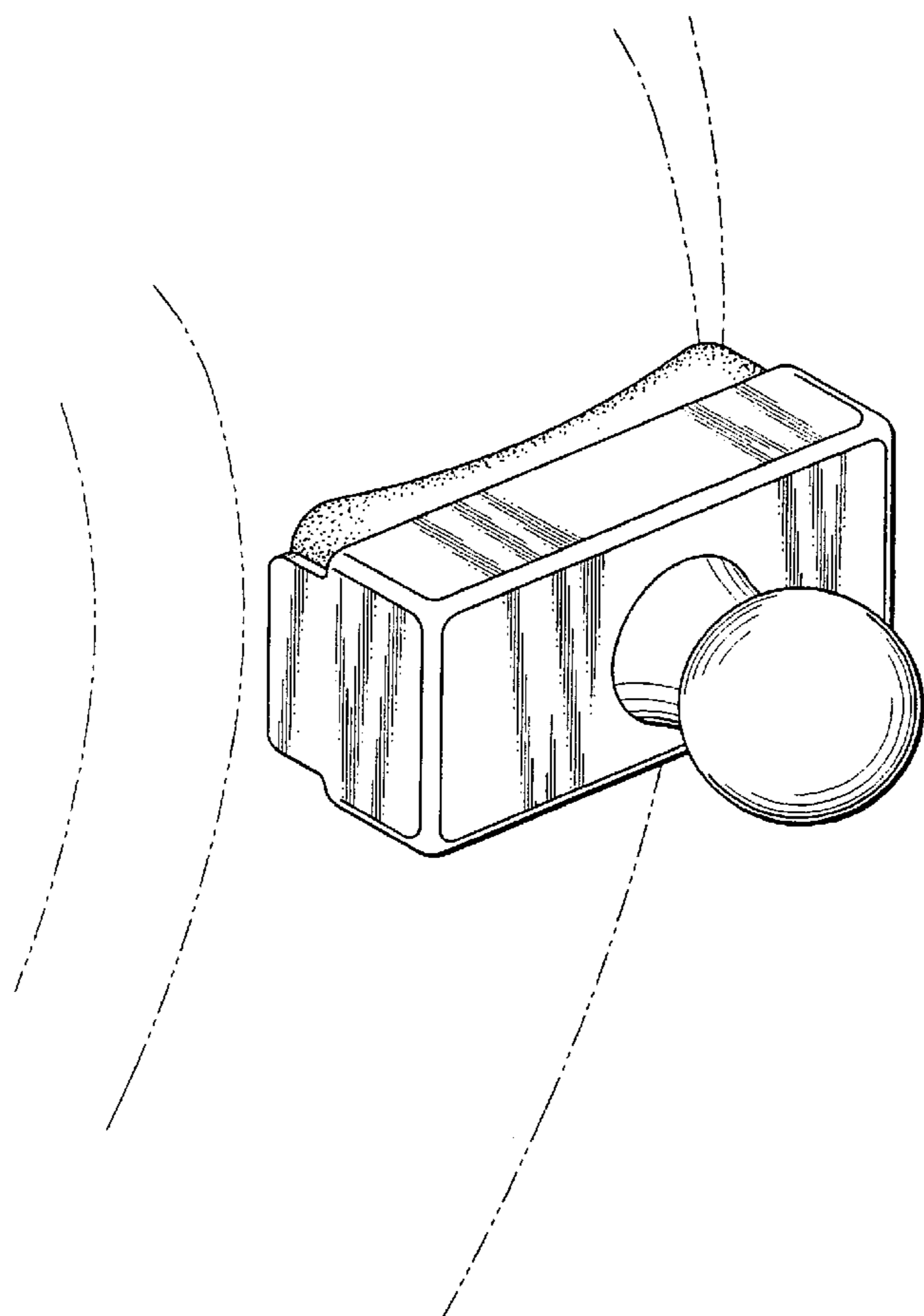
The tire shown in broken lines in FIG. 1 are shown for illustrative purpose only and form no part of the claimed design.

(56) **References Cited**

U.S. PATENT DOCUMENTS

D393,116 S * 3/1998 Kajimoto et al. D32/40
5,987,694 A * 11/1999 Large 15/244.1
D437,095 S * 1/2001 Osiecki et al. D32/40

1 Claim, 2 Drawing Sheets



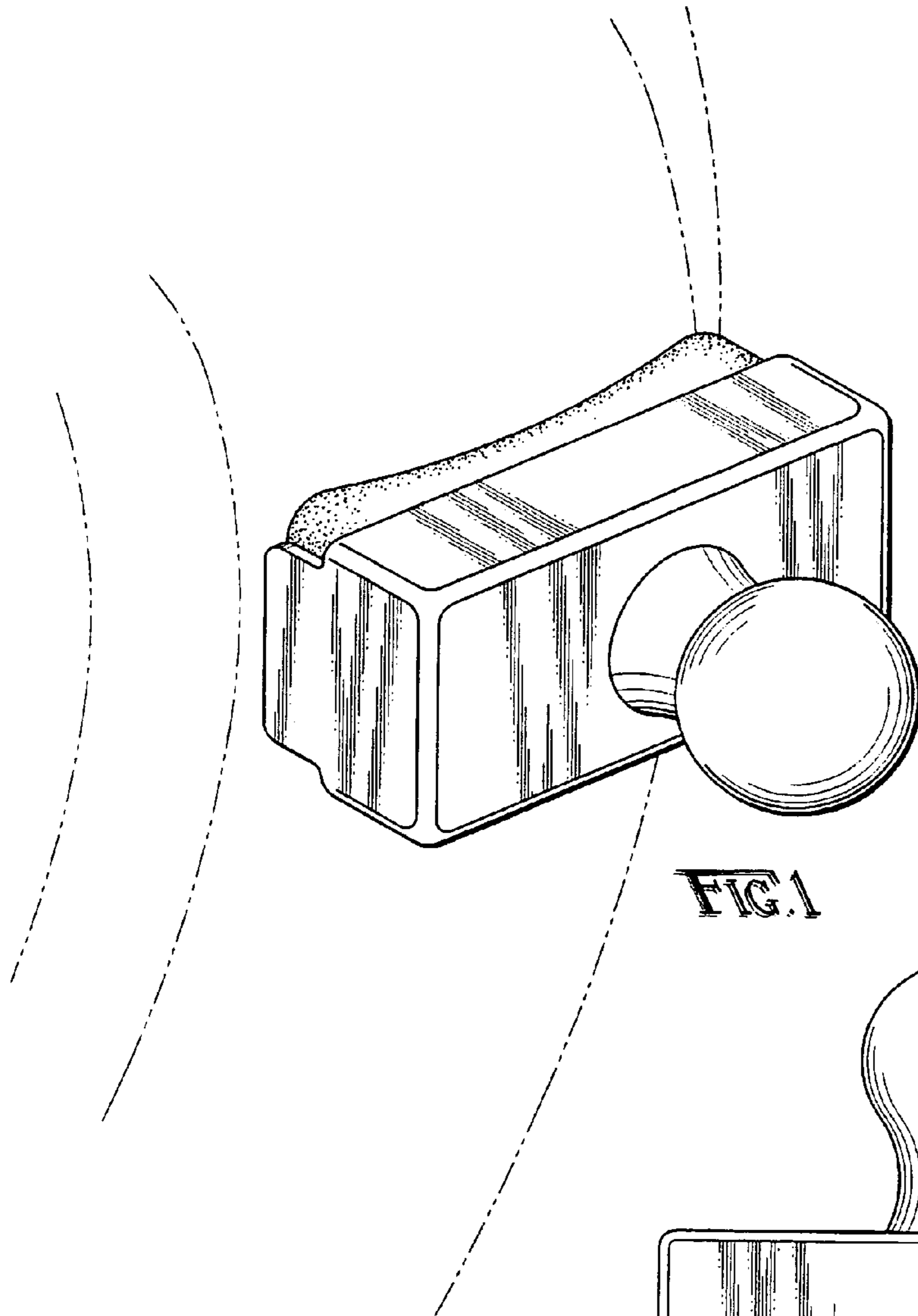


FIG. 1

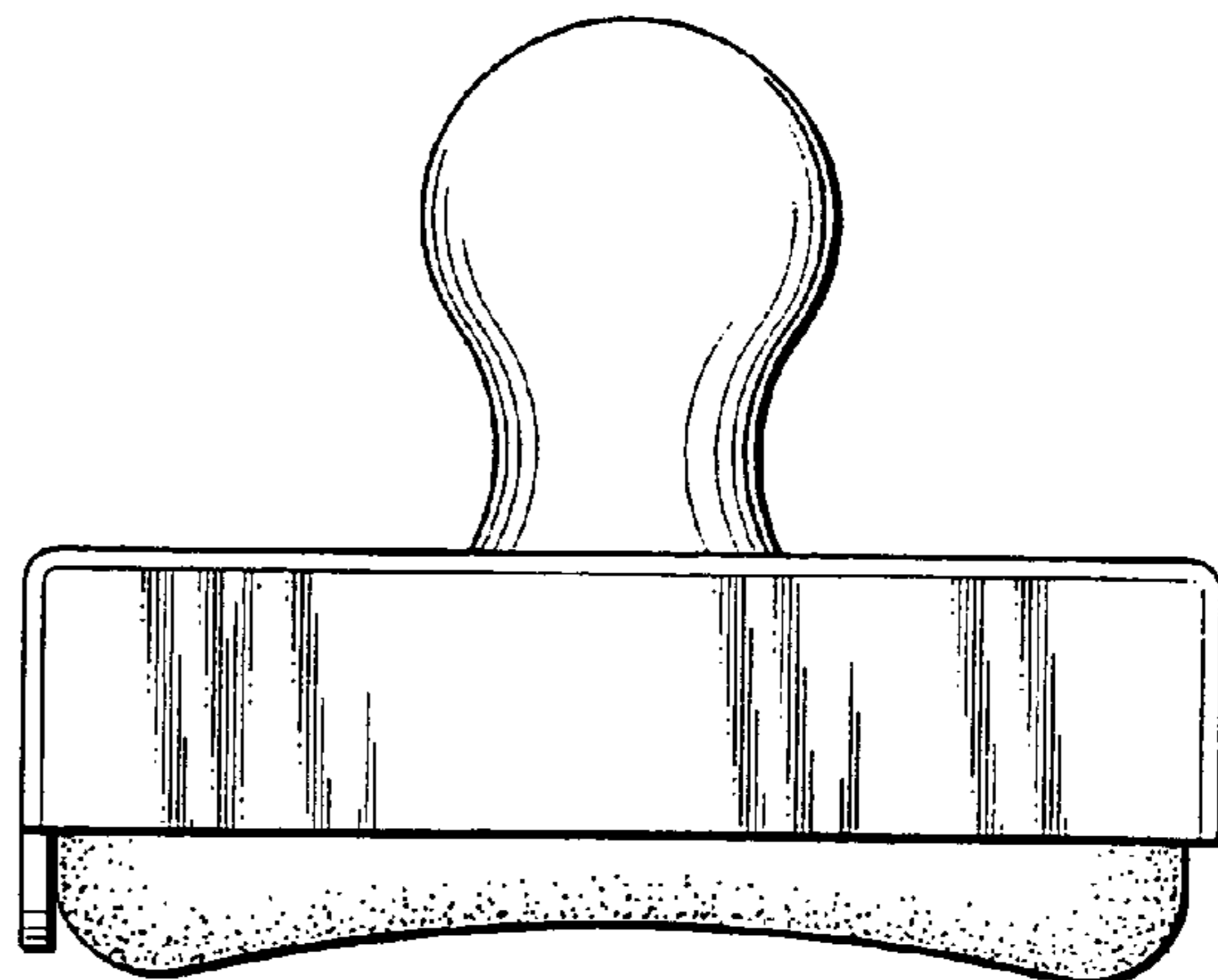


FIG. 2

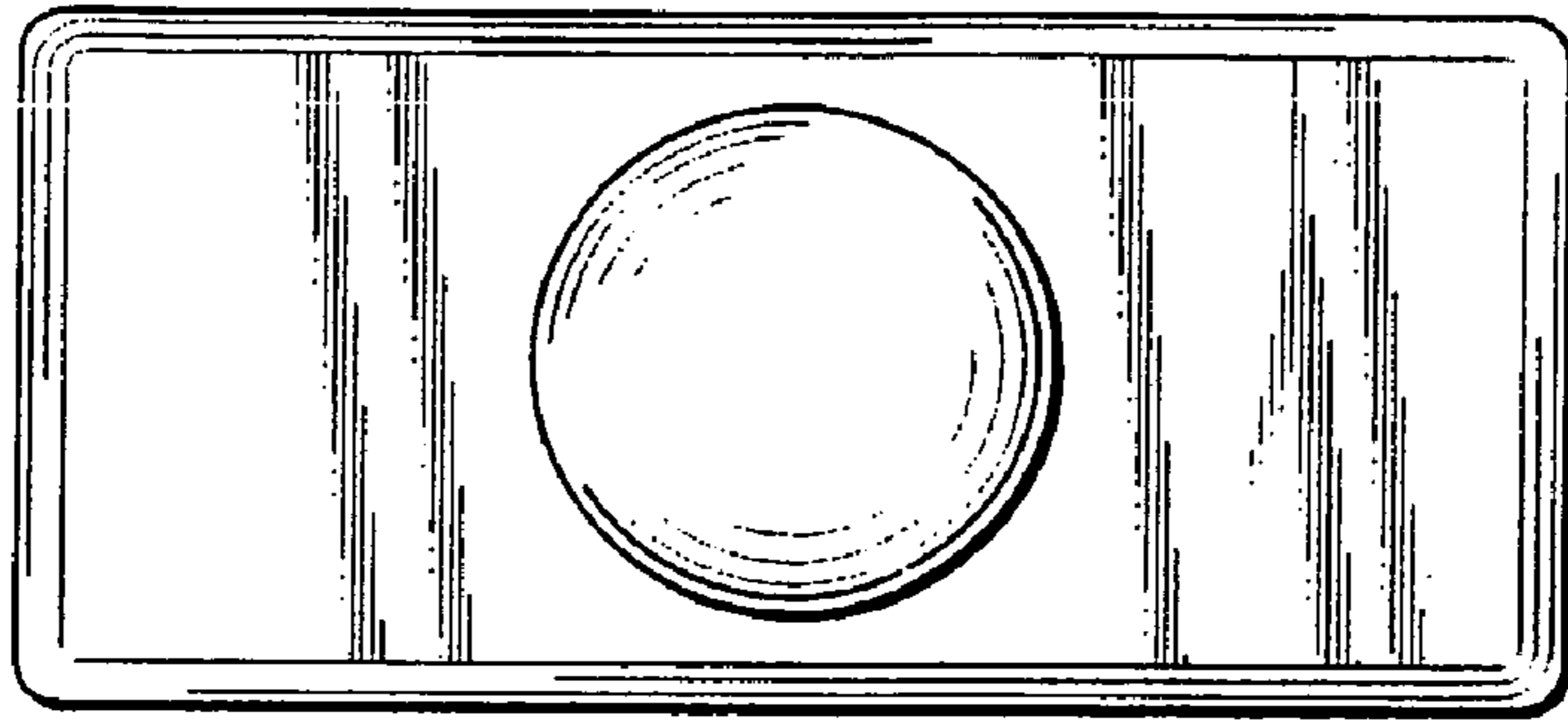


FIG. 3

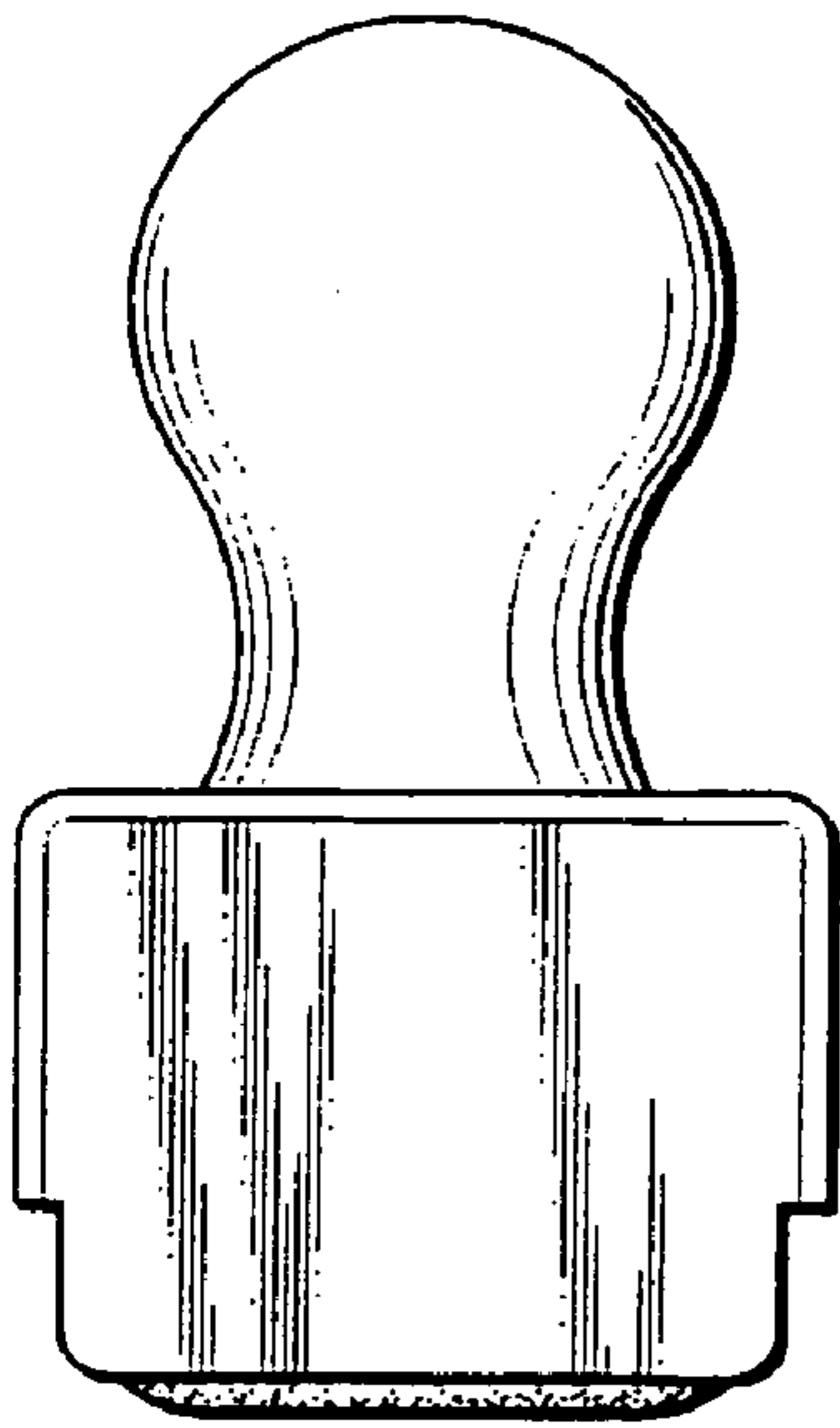


FIG. 4

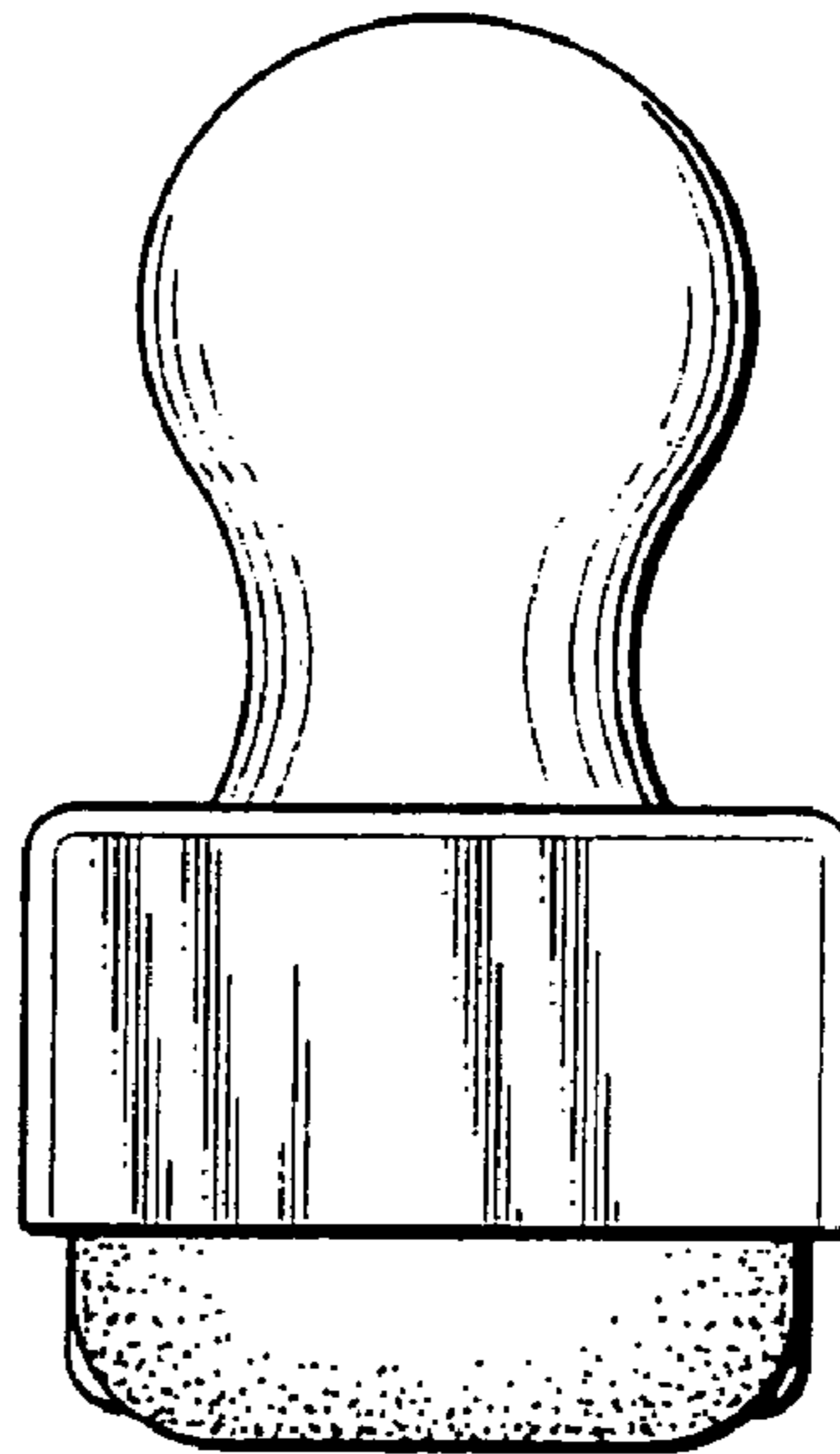


FIG. 5

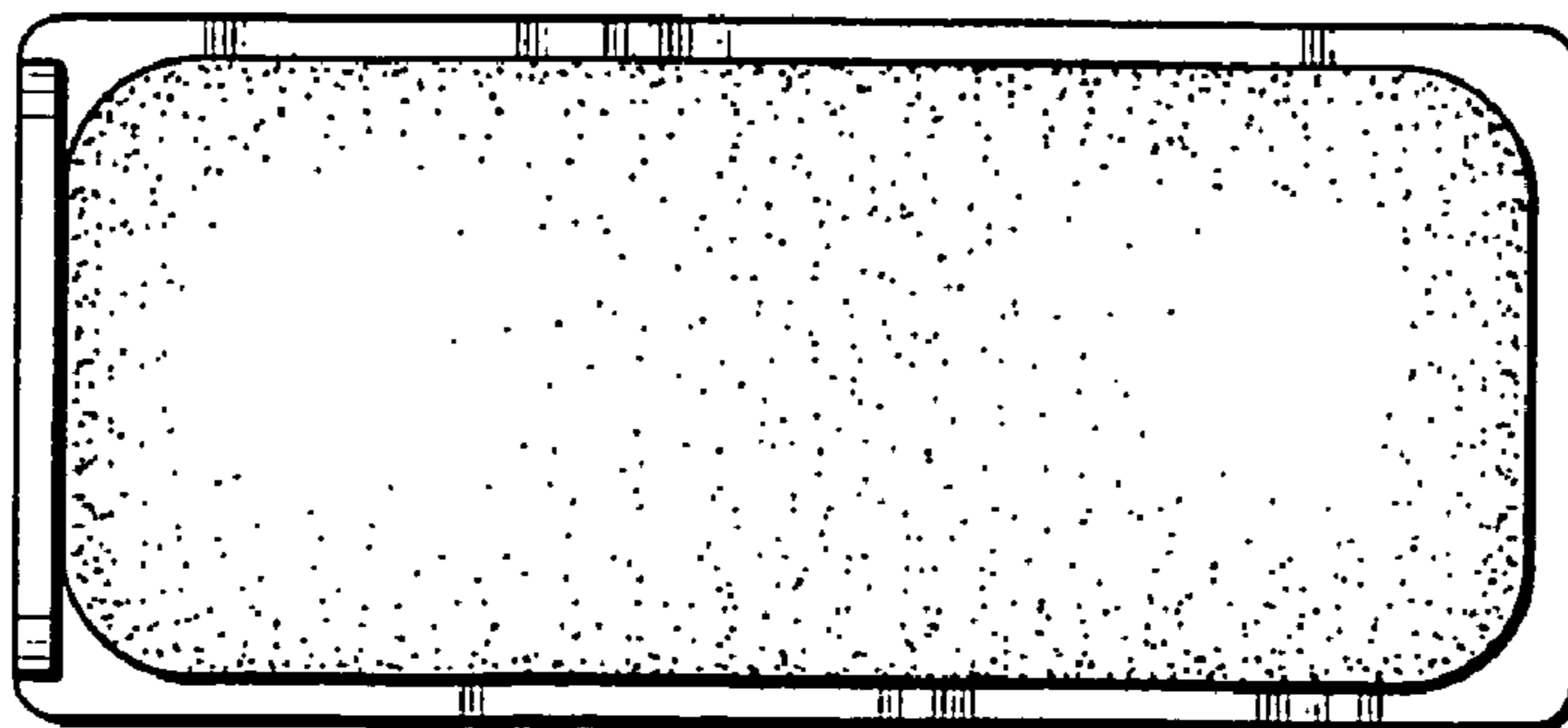


FIG. 6