



US00D559483S

(12) **United States Design Patent**  
**Matter et al.**

(10) **Patent No.:** **US D559,483 S**  
(45) **Date of Patent:** **\*\* Jan. 8, 2008**

(54) **VACUUM BAG ATTACHMENT**

(75) Inventors: **Ralph Matter**, Turbenthal (CH);  
**Christoph Scheiwiller**, Kirchberg  
(CH); **Detlef Auerswald**, Horgenzell  
(DE)

(73) Assignee: **JohnsonDiversey, Inc.**, Sturtevant, WI  
(US)

(\*\*) Term: **14 Years**

(21) Appl. No.: **29/252,629**

(22) Filed: **Jan. 25, 2006**

(51) **LOC (8) Cl.** ..... **15-05**

(52) **U.S. Cl.** ..... **D32/31**

(58) **Field of Classification Search** ..... D32/25,  
D32/30-31; 15/347, 342; 55/367, 373-374,  
55/376, 378, DIG. 2, DIG. 3; 95/273  
See application file for complete search history.

(56) **References Cited**

**U.S. PATENT DOCUMENTS**

D251,668 S *	4/1979	Asberg	.....	D32/30
4,877,432 A *	10/1989	Lackner	.....	55/375
4,948,266 A	8/1990	Bencic	.....	383/34
5,221,303 A	6/1993	Guhne et al.	.....	55/367
5,226,941 A *	7/1993	Uibel et al.	.....	55/367
5,468,272 A *	11/1995	Schmierer	.....	55/367
5,472,460 A *	12/1995	Schmierer	.....	55/367
5,472,465 A *	12/1995	Schmierer	.....	55/367
5,544,385 A	8/1996	Jailor et al.	.....	15/350
5,755,009 A	5/1998	Stephens et al.	.....	15/347
6,033,451 A	3/2000	Fish et al.	.....	55/374
6,071,322 A *	6/2000	Hulthen	.....	55/367
6,151,751 A	11/2000	McCormick et al.	.....	15/351
6,277,165 B1 *	8/2001	Lovett et al.	.....	55/374
6,626,969 B1	9/2003	Steele	.....	55/374
6,716,262 B2 *	4/2004	Zimet et al.	.....	55/369
D523,196 S *	6/2006	Bruneau	.....	D32/30
2002/0020155 A1	2/2002	Stokmans	.....	55/373
2003/0182907 A1 *	10/2003	Steele	.....	55/374

2004/0163205 A1	8/2004	Albert et al.	.....	15/352
2005/0098039 A1	5/2005	Davis et al.	.....	95/273
2005/0279060 A1 *	12/2005	Schmierer et al.	.....	55/374

**FOREIGN PATENT DOCUMENTS**

CA 2487084 5/2004

(Continued)

*Primary Examiner*—Ruth McInroy

(74) *Attorney, Agent, or Firm*—Gregory S. Bollis

(57) **CLAIM**

We claim the ornamental design for a vacuum bag attachment, as shown and described.

**DESCRIPTION**

FIG. 1 is a front perspective view of a vacuum bag attachment showing our new design;

FIG. 2 is a front view of the vacuum bag attachment shown in FIG. 1.

FIG. 3 is a rear view of the vacuum bag attachment shown in FIG. 1.

FIG. 4 is a side view of the vacuum bag attachment shown in FIG. 1 with the vacuum bag attachment being attached to a vacuum port shown in phantom.

FIG. 5 is a front perspective view of the vacuum bag attachment shown in FIG. 1 wherein the attachment flange is shown in an alternative position.

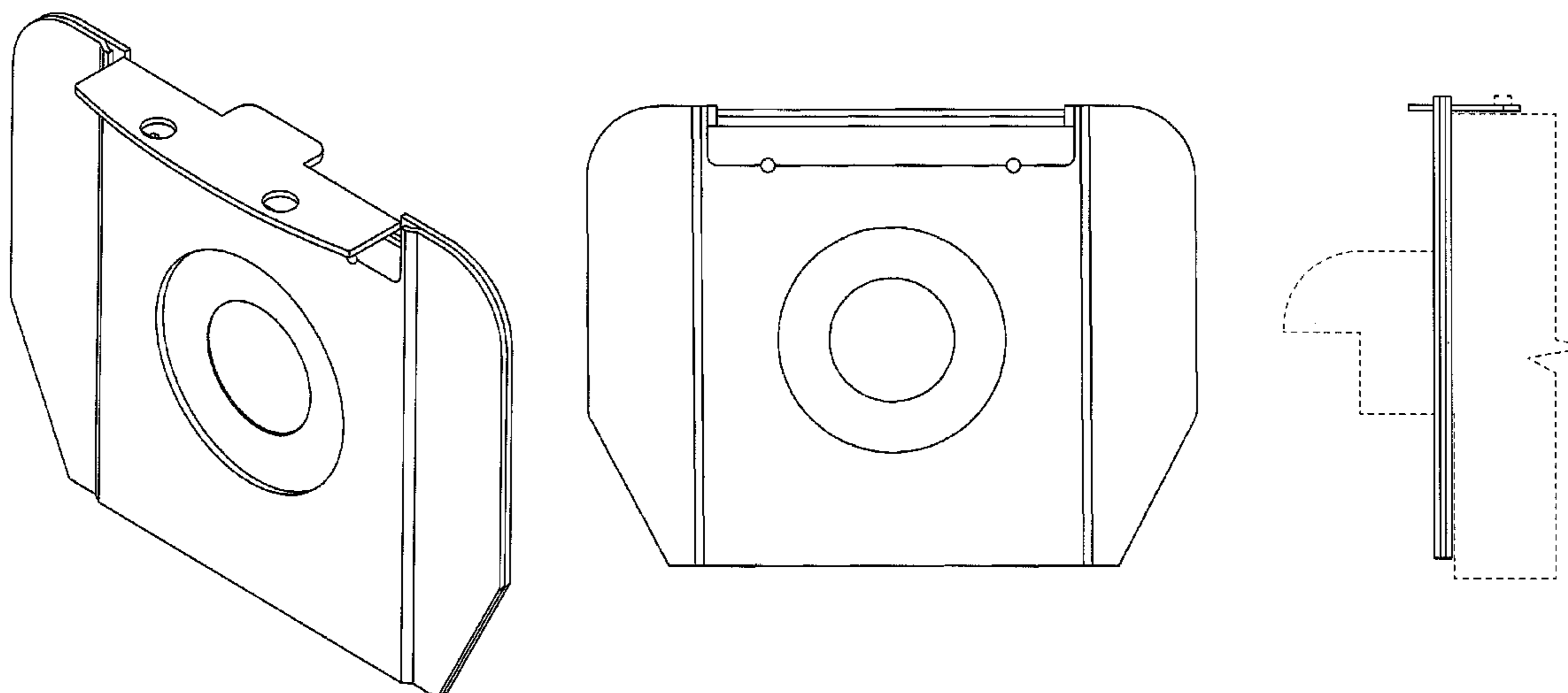
FIG. 6 is a front view of the vacuum bag attachment shown in the position illustrated in FIG. 5.

FIG. 7 is a side view of the vacuum bag attachment shown in the position illustrated in FIG. 5; and,

FIG. 8 is a rear view of the vacuum bag attachment shown in the position illustrated in FIG. 5.

The details shown in broken lines form no part of the claimed design.

**1 Claim, 6 Drawing Sheets**



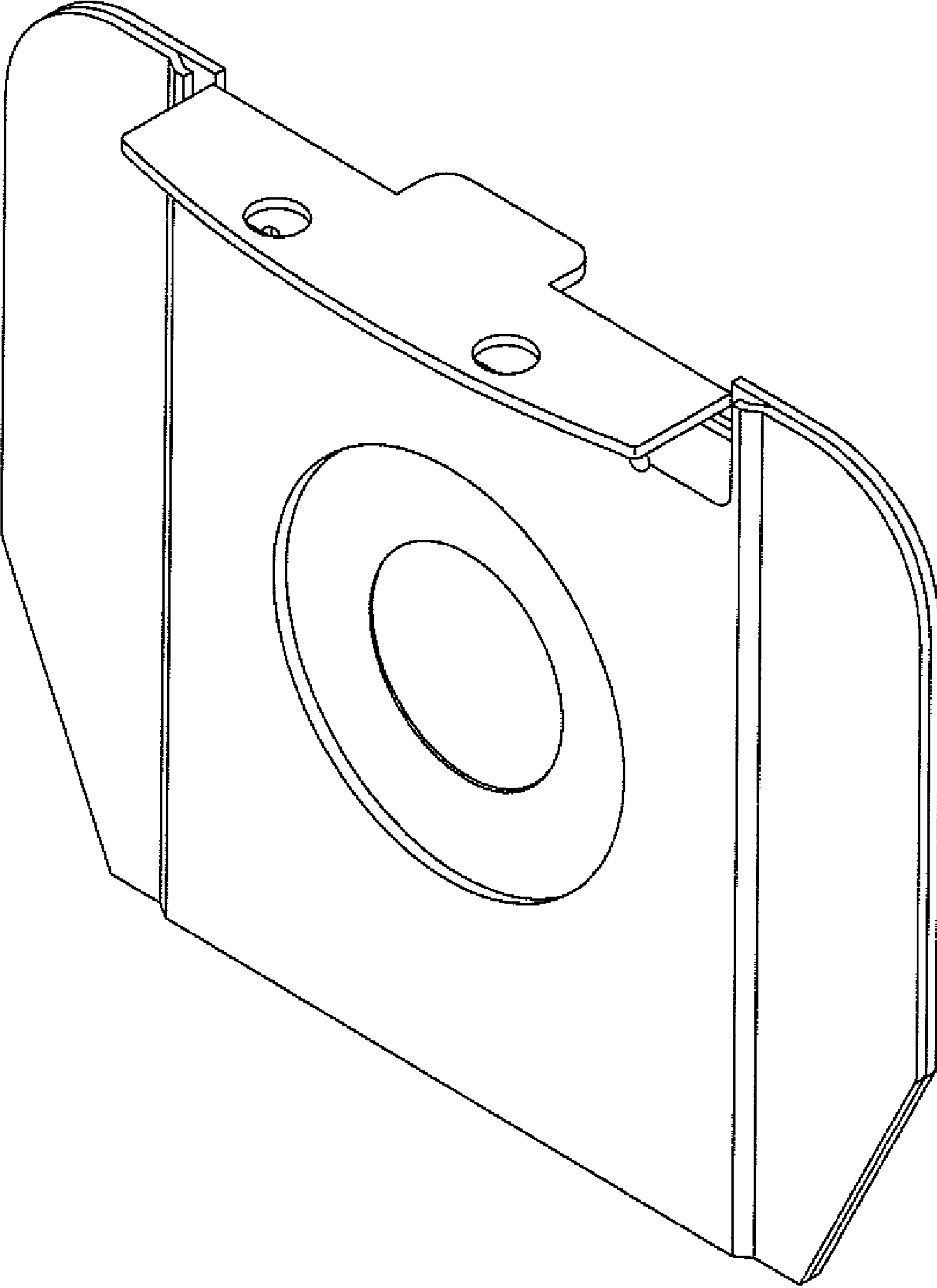
# US D559,483 S

Page 2

FOREIGN PATENT DOCUMENTS

DE	84 27 471	U1	10/1984	EP	1 607 034	A1	12/2005
DE	85 32 587	U1	3/1987	JP	5-199965		1/1992
DE	3915154	A1	5/1989	JP	10-276945		3/1997
DE	4227606	A1	8/1992	JP	2004-97385		2/2004
DE	4227617	C2	8/1992	WO	WO 92/13479		1/1992
DE	4342267	C2	12/1993	WO	WO 00/04813		7/1998
DE	19828841	C2	6/1998	WO	WO 99/25236		11/1998
DE	93 21 543	U1	6/1999	WO	WO 00/00074		6/1999
DE	19942483	C1	9/1999	WO	WO 01/56682	A1	3/2000
DE	10105438	A1	2/2001	WO	WO 01/35808	A1	11/2000
DE	10203405	A1	1/2002	WO	WO 01/56448	A1	1/2001
DE	10334894	B3	7/2003	WO	WO 02/28261	A1	8/2001
DE	20 2005 015 042	U1	2/2007	WO	WO 02/24047		3/2002
EP	0396864	B1	3/1990	WO	WO 03/020098	A1	8/2002
EP	1 252 853	A2	10/2002	WO	WO 2004/023965	A2	8/2003
EP	1327411	A2	11/2002				

\* cited by examiner



**FIG. 1**

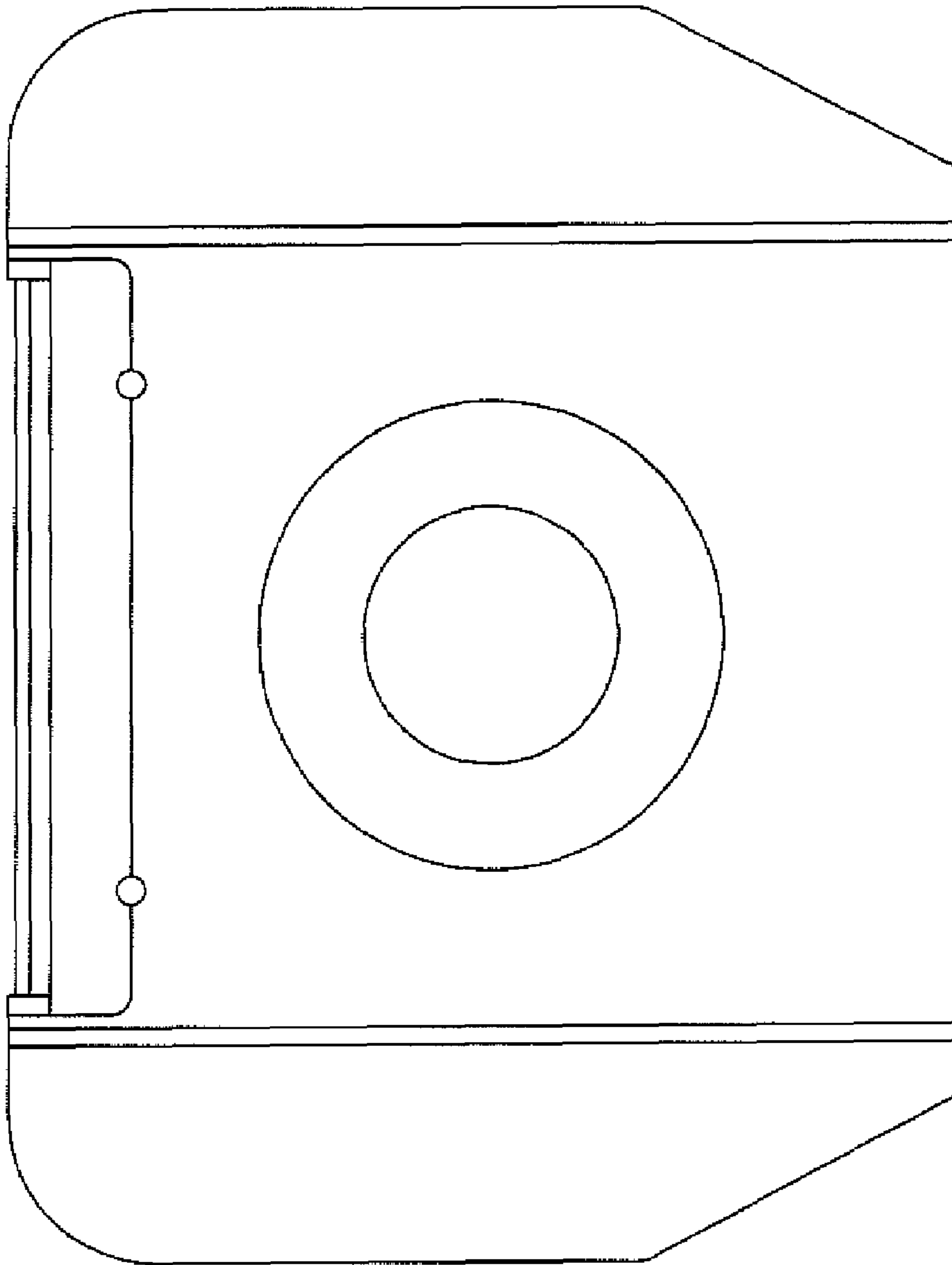


FIG. 2

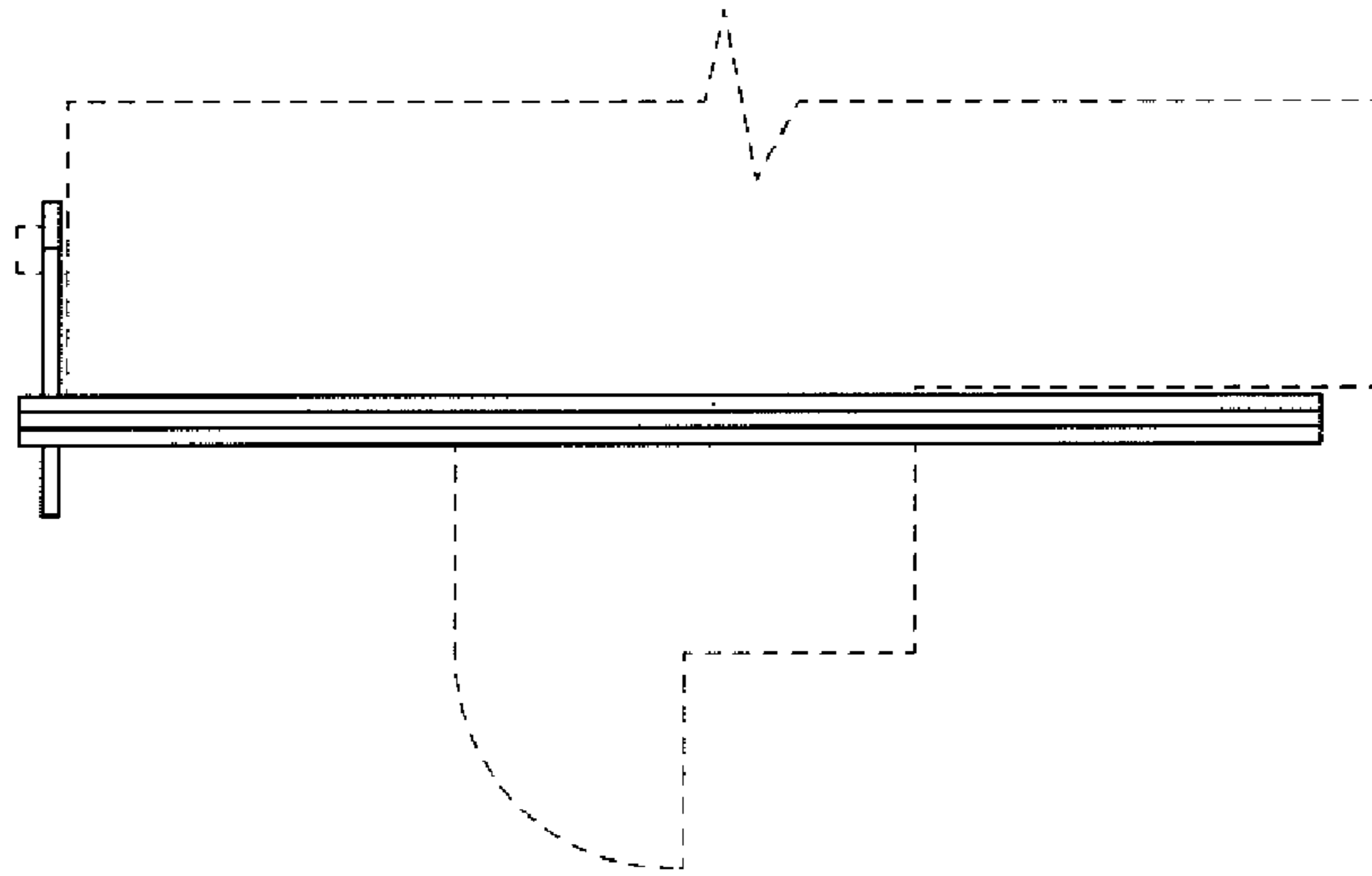


FIG. 4

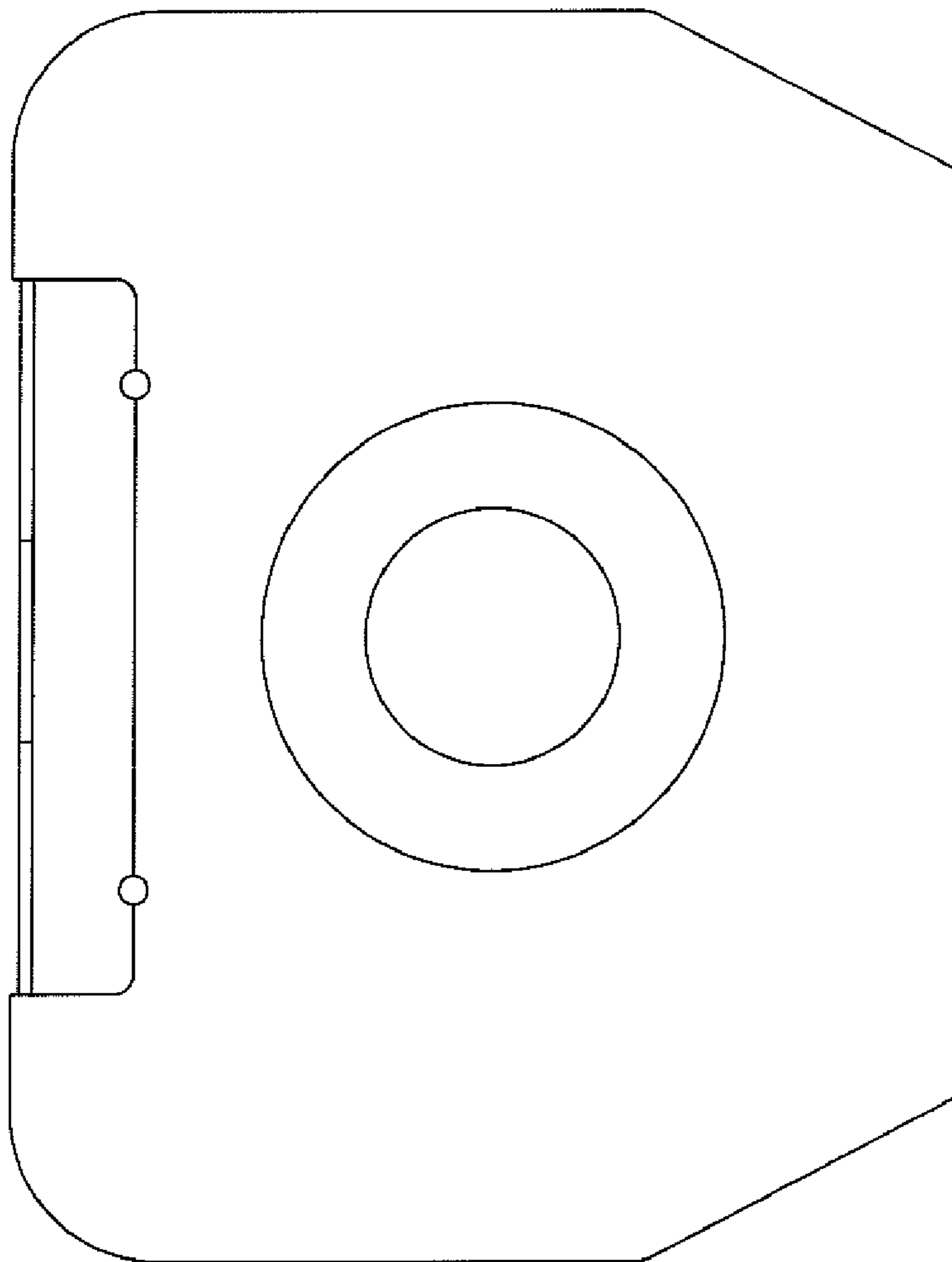
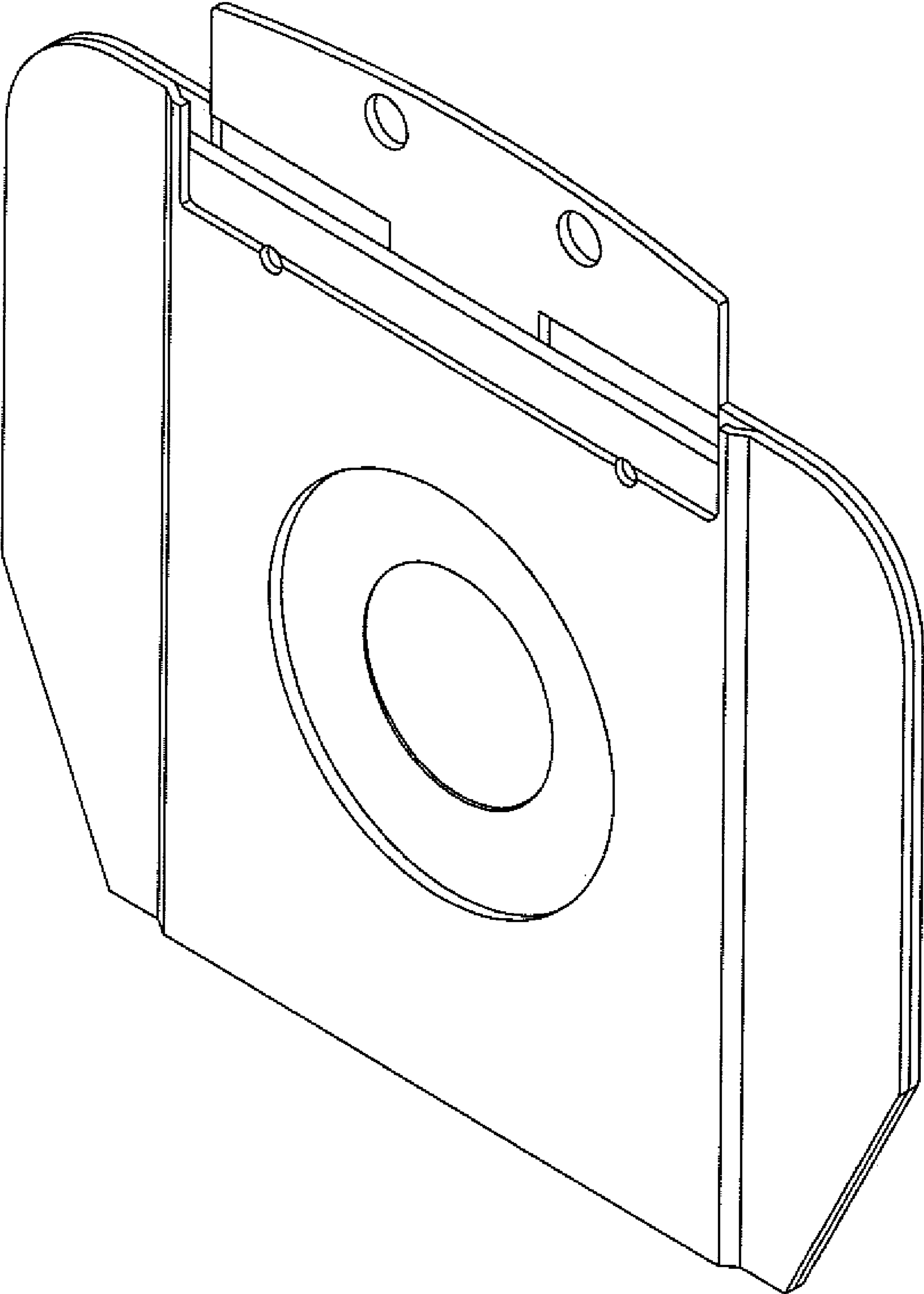
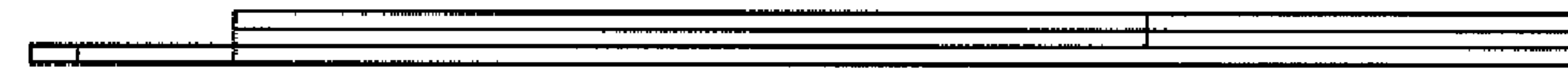


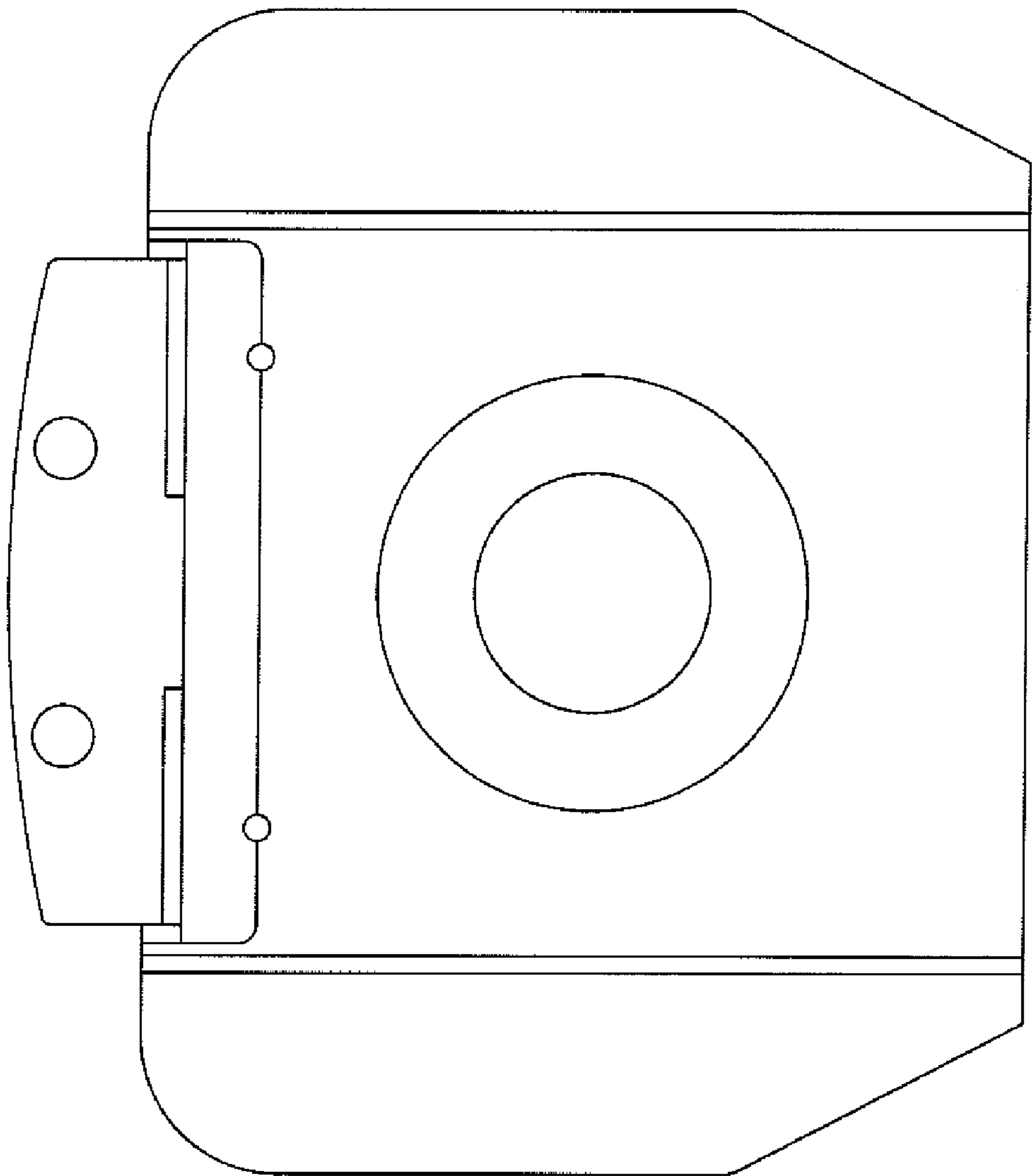
FIG. 3



**FIG. 5**



**FIG. 7**



**FIG. 6**

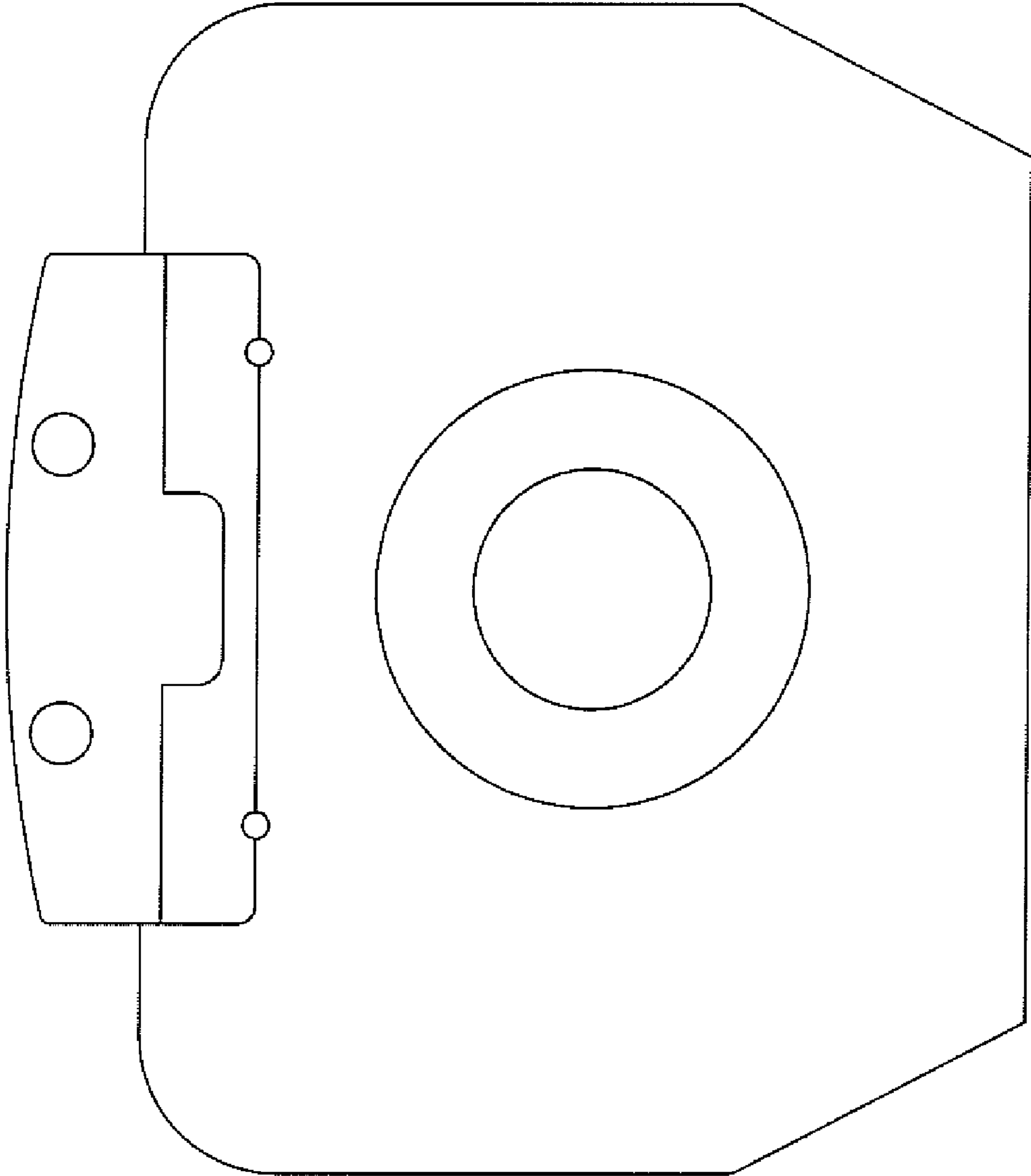


FIG. 8