

US00D559475S

(12) **United States Design Patent** (10) **Patent No.:** **US D559,475 S**
Bonner (45) **Date of Patent:** **** Jan. 8, 2008**

(54) **AVIAN ACTIVITY SET**

(75) Inventor: **Ronald K. Bonner**, Villa Park, CA
(US)

(73) Assignee: **North American Pet Products**,
Corona, CA (US)

(**) Term: **14 Years**

(21) Appl. No.: **29/255,927**

(22) Filed: **Mar. 13, 2006**

(51) **LOC (8) Cl.** **30-99**

(52) **U.S. Cl.** **D30/160; D30/119**

(58) **Field of Classification Search** **D30/112,**
D30/118-119, 160; 119/66, 702-703, 706-711;
446/227, 396; D21/465, 476
See application file for complete search history.

5,413,068 A * 5/1995 Segal 119/537
5,632,230 A * 5/1997 Dornetta 119/537
D397,832 S * 9/1998 Allen D30/108
D419,268 S * 1/2000 Frank D30/119
D423,738 S * 4/2000 Carlson D30/160
6,117,054 A * 9/2000 Soltanpour 482/83
D437,979 S * 2/2001 Lian D30/119
D469,586 S * 1/2003 McGinn et al. D30/119
D483,157 S * 12/2003 Yang D30/119
6,827,040 B1 * 12/2004 McGinn et al. 119/706
7,047,906 B1 * 5/2006 Hendricks 119/537

* cited by examiner

Primary Examiner—Cathy Anne MacCormac
(74) *Attorney, Agent, or Firm*—Advantage IP Law Firm

(57) **CLAIM**

The ornamental design for an avian activity set, as shown and described.

DESCRIPTION

FIG. 1 is a perspective view illustrating my new design;
FIG. 2 is a front view thereof;
FIG. 3 is a rear view thereof;
FIG. 4 is a right side view thereof;
FIG. 5 is a left side view thereof;
FIG. 6 is a top view thereof; and,
FIG. 7 is a bottom view thereof.

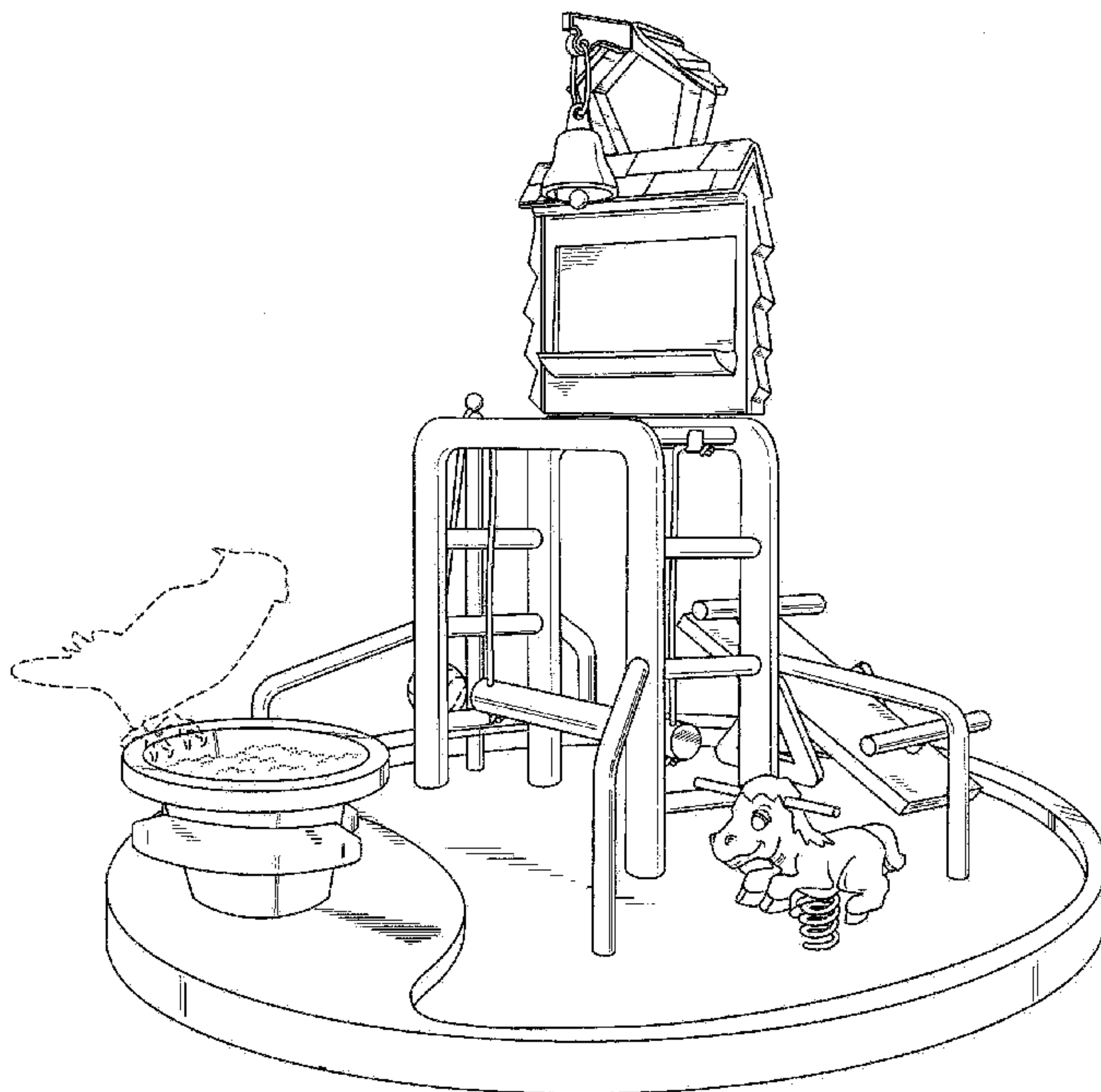
The broken line disclosure of an exemplary cockatiel and food in the food dish as shown in FIG. 1 and the exemplary volleyball markings on the hanging ball as shown in FIGS. 1-6 are for illustrative purposes only and form no part of the claimed design.

1 Claim, 7 Drawing Sheets

(56) **References Cited**

U.S. PATENT DOCUMENTS

D174,580 S * 4/1955 Kiehl D30/119
2,707,937 A * 5/1955 Herman 119/708
D175,292 S * 8/1955 Austgen D30/160
2,769,426 A * 11/1956 Bromley D30/110
2,778,333 A * 1/1957 Babros et al. 119/463
D180,914 S * 9/1957 Otis D30/119
2,808,807 A * 10/1957 Winton et al. 119/702
D183,272 S * 7/1958 Forner D30/119
D183,655 S * 10/1958 Hanson D30/119
D233,770 S * 11/1974 Clarl et al. D30/160
3,911,866 A * 10/1975 Dodd D30/160
4,084,812 A * 4/1978 Melrose et al. 472/118
4,627,588 A * 12/1986 Block 248/163.2
D292,334 S * 10/1987 Courteau D30/119
D318,935 S * 8/1991 O'Connell D30/108



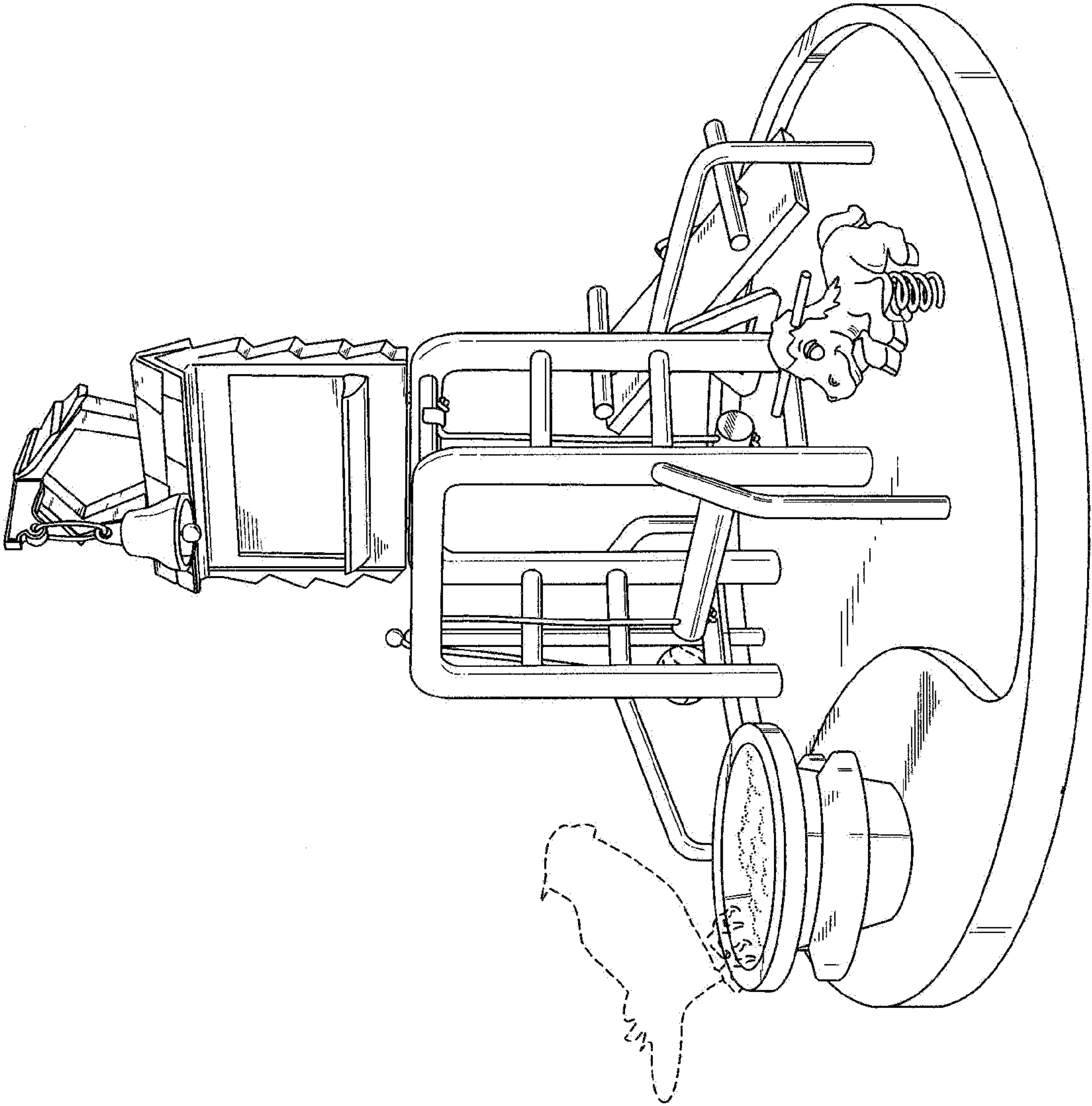


FIG. 1

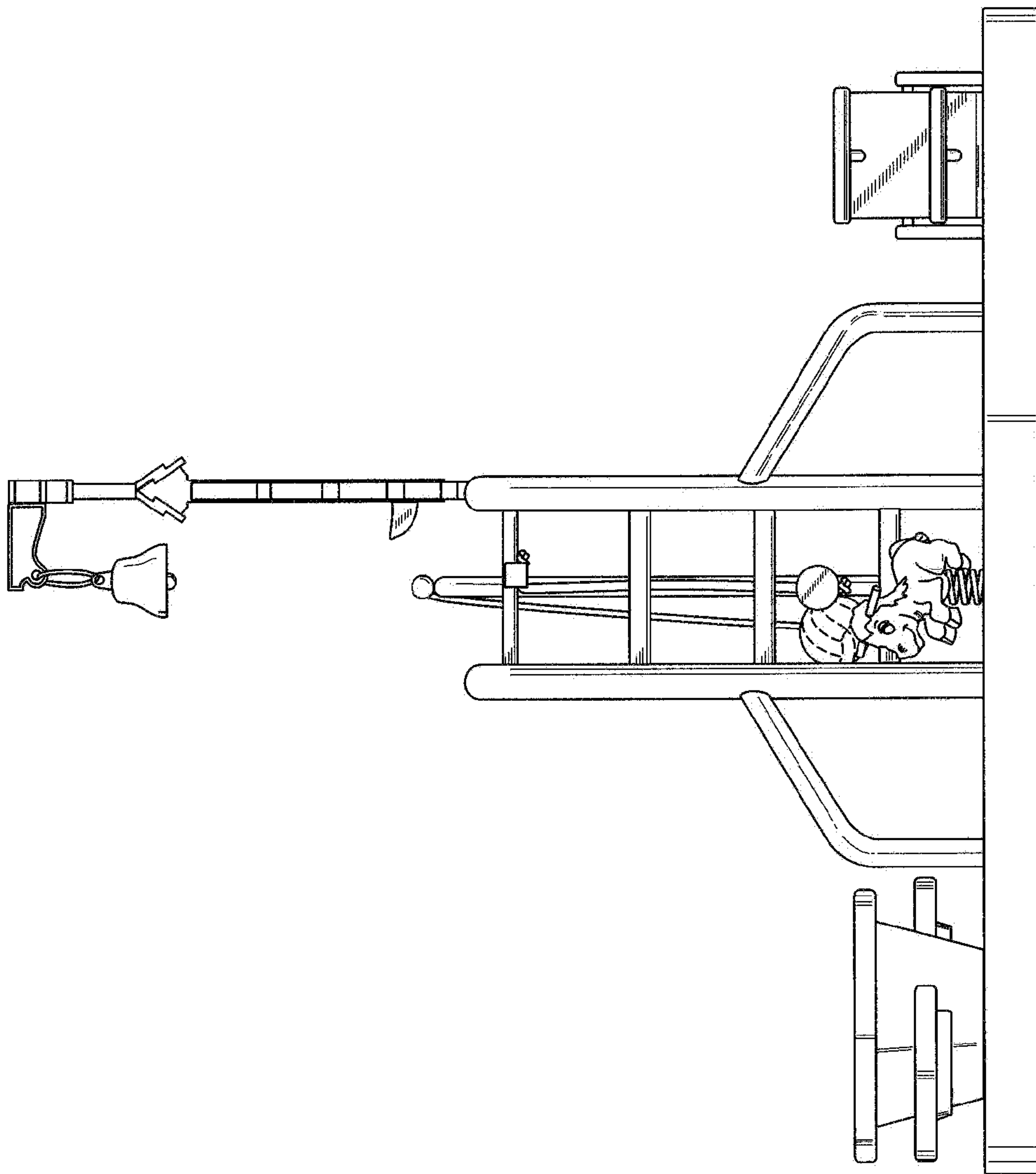


FIG. 2

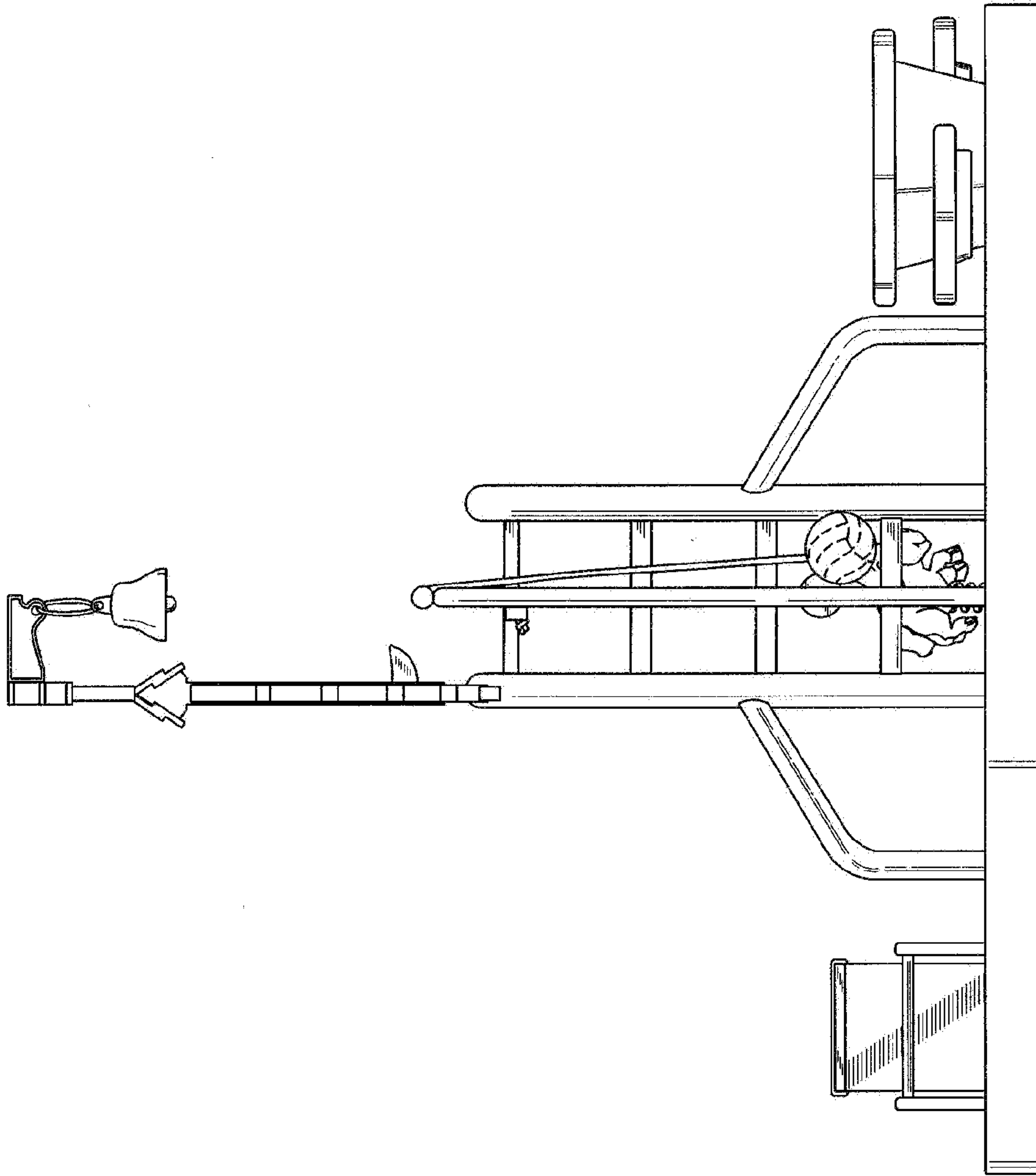


FIG. 3

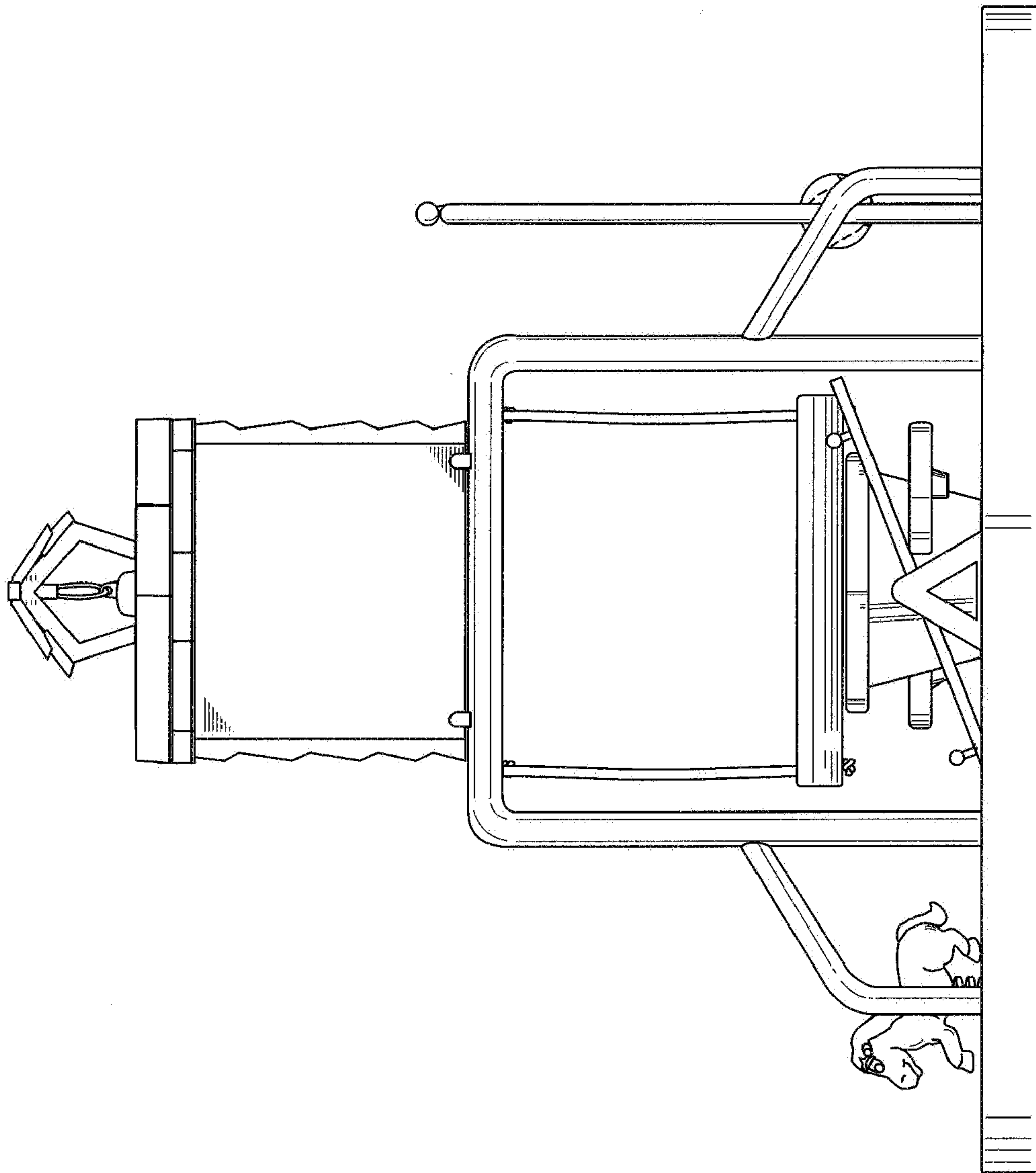


FIG. 4

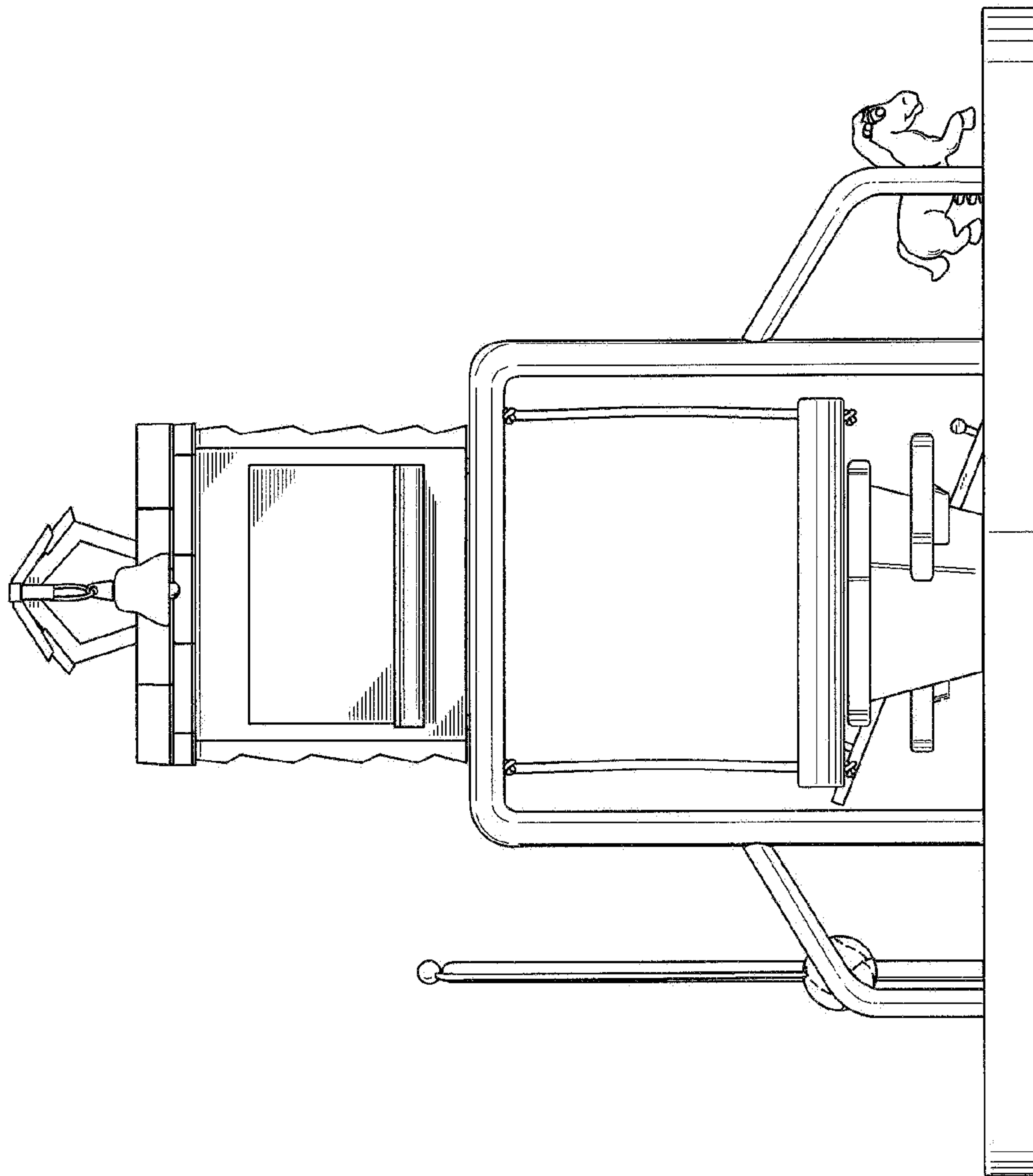


FIG. 5

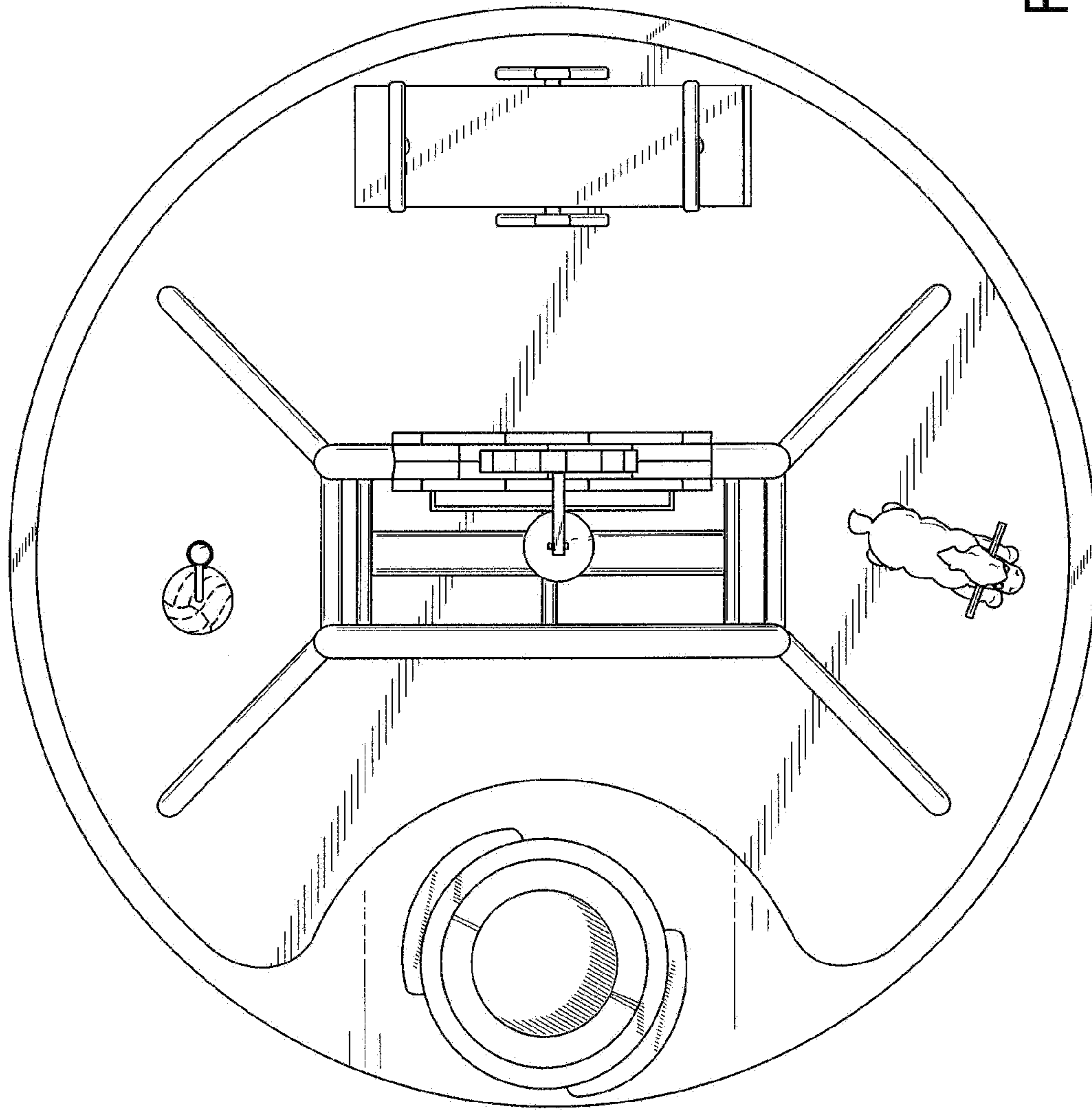


FIG. 6

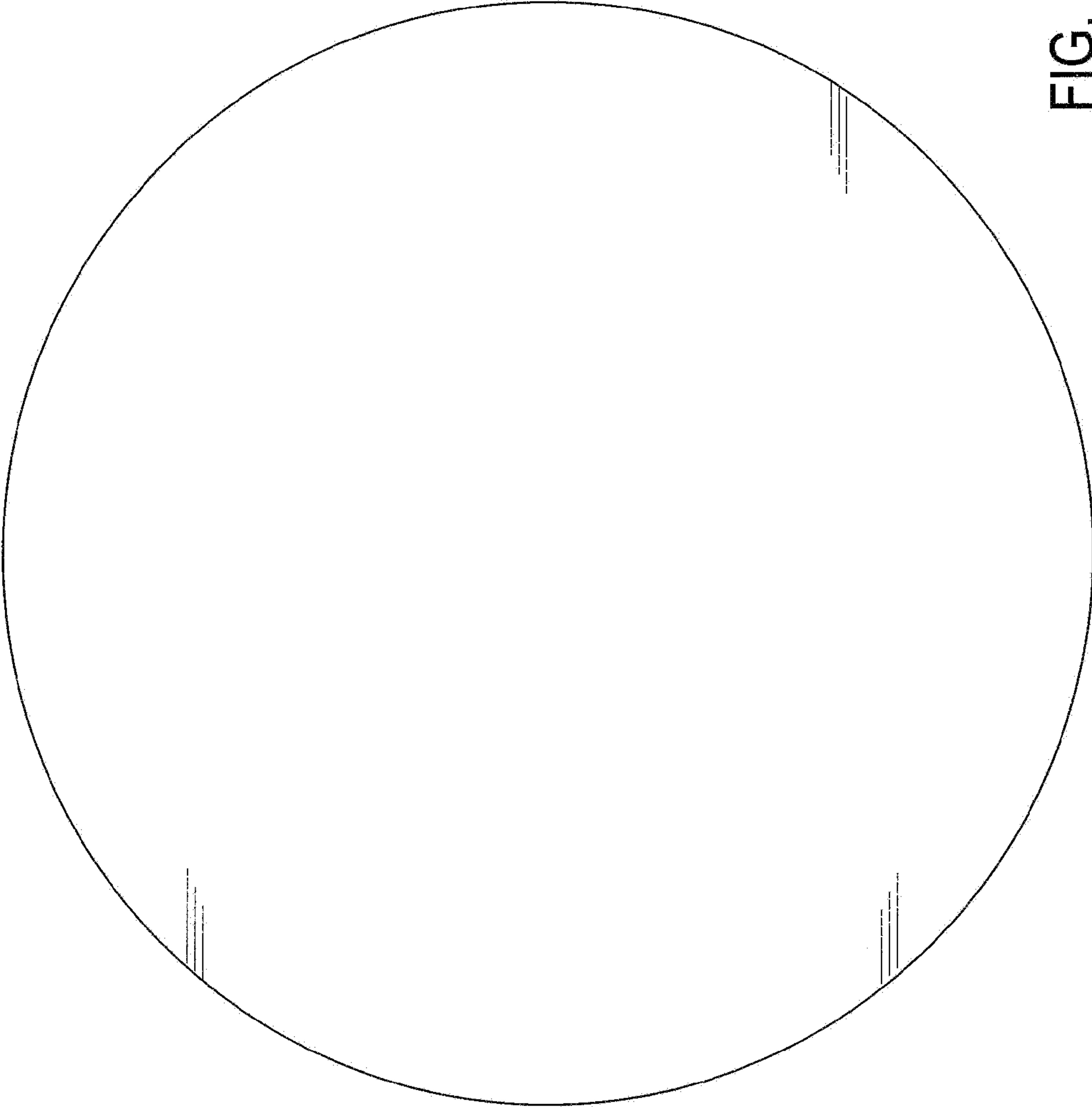


FIG. 7