



US00D559473S

(12) **United States Design Patent**  
**Nguyen**

(10) **Patent No.:** **US D559,473 S**  
(45) **Date of Patent:** **\*\* Jan. 8, 2008**

(54) **PET LEG BRACELET**

(76) **Inventor:** **Kimberly Ahn Nguyen**, P.O. Box 1233,  
Hermosa Beach, CA (US) 90254-1233

(\*\*) **Term:** **14 Years**

(21) **Appl. No.:** **29/243,457**

(22) **Filed:** **Nov. 25, 2005**

(51) **LOC (8) Cl.** ..... **30-04**

(52) **U.S. Cl.** ..... **D30/152**

(58) **Field of Classification Search** ..... 119/850,  
119/855-60, 862-65, 654, 712, 714, 720,  
119/725, 760, 762, 763-75, 792-94, 789,  
119/796, 815, 821; D30/151, 152, 153; 24/265 WS,  
24/188, 662, 180, 625, 647; D11/220, 3,  
D11/12, 200, 5, 4, 6, 25, 54; D2/609, 627,  
D2/614, 628, 624, 632, 894; 224/184, 222,  
224/249, 676; 424/411; 40/300, 640; 2/232,  
2/22, 468, 338; D29/120.1, 100, 101.5; D5/45-6,  
D5/7, 13; 359/516; 428/690; D9/434; 206/347;  
D10/111; 362/103-104, 216, 335, 108;  
D21/683; D24/211; 600/38; 63/11, 3;  
439/352

See application file for complete search history.

(56) **References Cited**

**U.S. PATENT DOCUMENTS**

473,079	A *	4/1892	Pfiffner et al.	54/12
2,378,755	A *	6/1945	Dowling	40/640
D158,752	S *	5/1950	Katz	D11/4
3,871,336	A *	3/1975	Bergman	359/516
4,154,011	A *	5/1979	Rakestraw et al.	40/633
D252,289	S *	7/1979	Furin	D21/794
D293,561	S *	1/1988	Bulgari	D11/3
4,909,189	A *	3/1990	Minotti	119/859
4,944,289	A *	7/1990	Matthews	601/134
D324,437	S *	3/1992	Davis	D30/152
D375,612	S *	11/1996	Elder	D2/894
D392,774	S *	3/1998	Abramian	D29/120.1
5,848,981	A *	12/1998	Herbranson	601/134
5,865,148	A *	2/1999	Aguirre et al.	119/856

D435,295	S *	12/2000	Yoo	D24/200
D436,698	S	1/2001	Noguero	
D481,192	S *	10/2003	Davis, II	D2/712
D497,826	S *	11/2004	Nelson	D11/3

**OTHER PUBLICATIONS**

Millers Harness Co. Catalog#120, Apr. 1988, p. 92 "Eyecatching Browbands".\*  
Jeffers Summer Catalog 2005, p. 91 "Decorative Collars".\*  
Care-a-Lot Catalog, Spring 2002, p. 68 "Spike Collars".\*

\* cited by examiner

*Primary Examiner*—M. H. Tung

*Assistant Examiner*—Susan Moon Lee

(74) *Attorney, Agent, or Firm*—Loyal McKinley Hanson

(57) **CLAIM**

The ornamental design for a pet leg bracelet, as shown and described.

**DESCRIPTION**

FIG. 1 of the drawings is a perspective view showing the front, top, and left side of a pet leg bracelet embodying the design of my invention;

FIG. 2 is an elevation view of the front;

FIG. 3 is an elevation view of the left side;

FIG. 4 is a top view;

FIG. 5 is an elevation view of the right side;

FIG. 6 is an elevation view of the back;

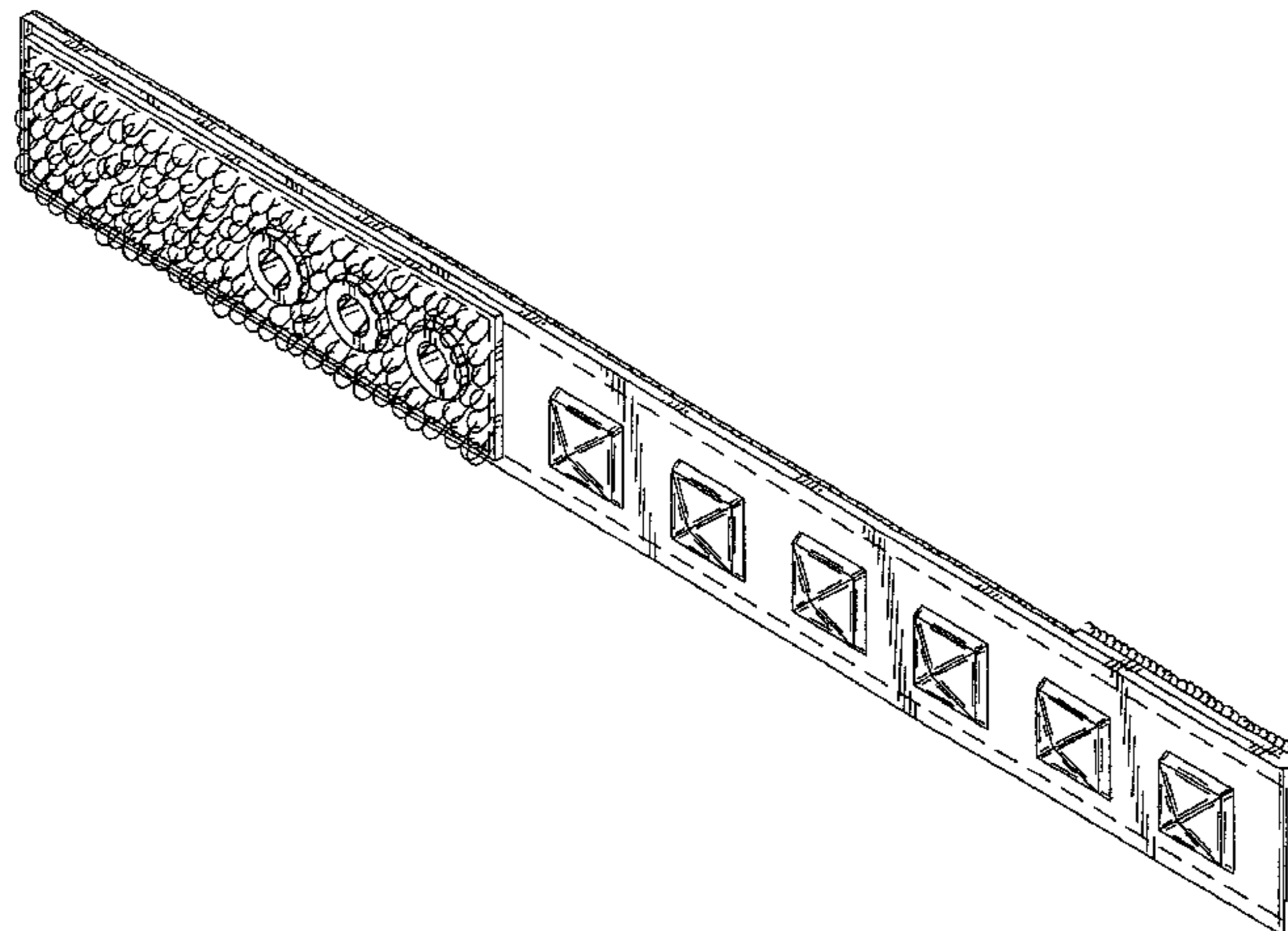
FIG. 7 is a bottom view;

FIG. 8 is a perspective view with the pet leg bracelet in a closed loop configuration; and,

FIG. 9 is an environmental view similar to FIG. 8, with a portion of a dog leg depicted in broken lines that is for illustration only and forms no part of the claimed invention.

The stippled, textured shading indicated in FIGS. 6, 8 and 9 runs throughout the back surface of that portion of the bracelet.

**1 Claim, 3 Drawing Sheets**



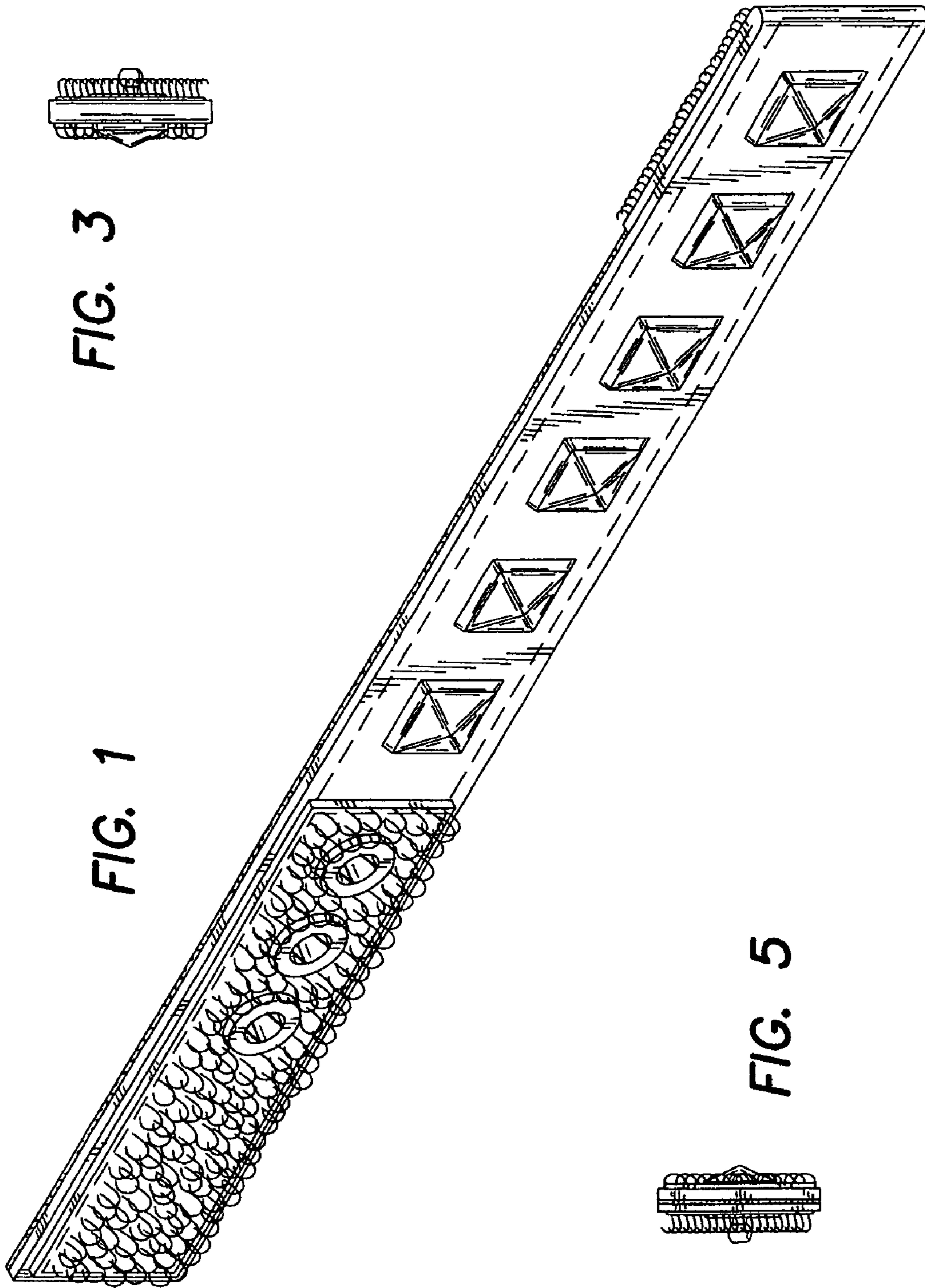


FIG. 3

FIG. 1

FIG. 5



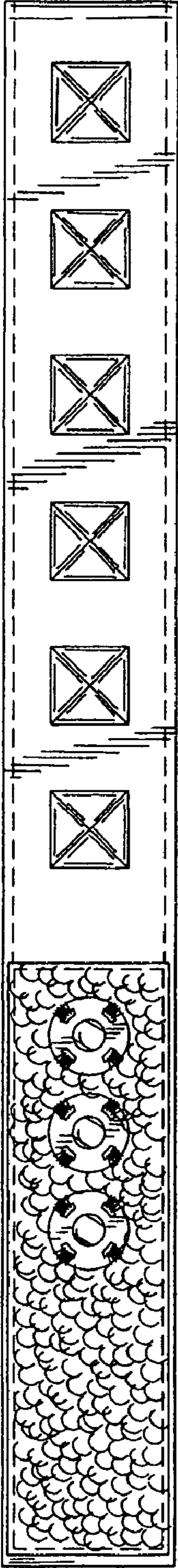


FIG. 2

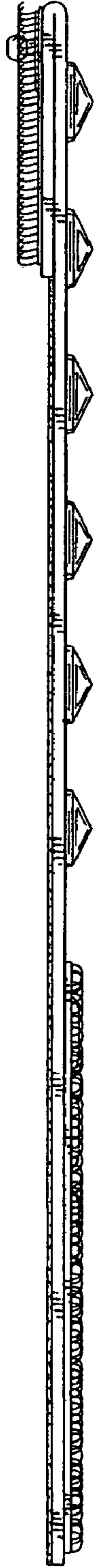


FIG. 4

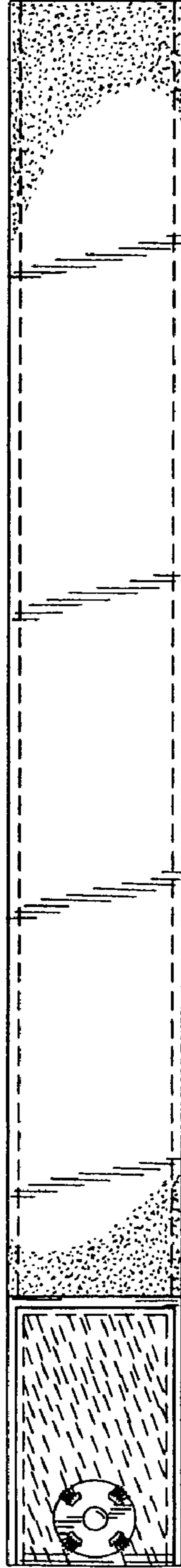
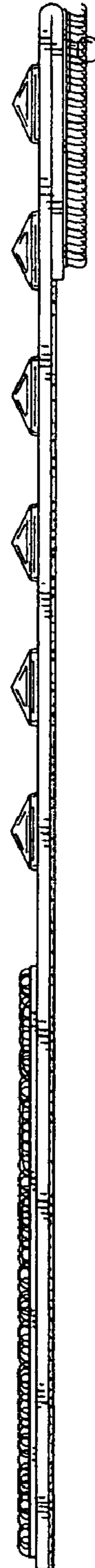
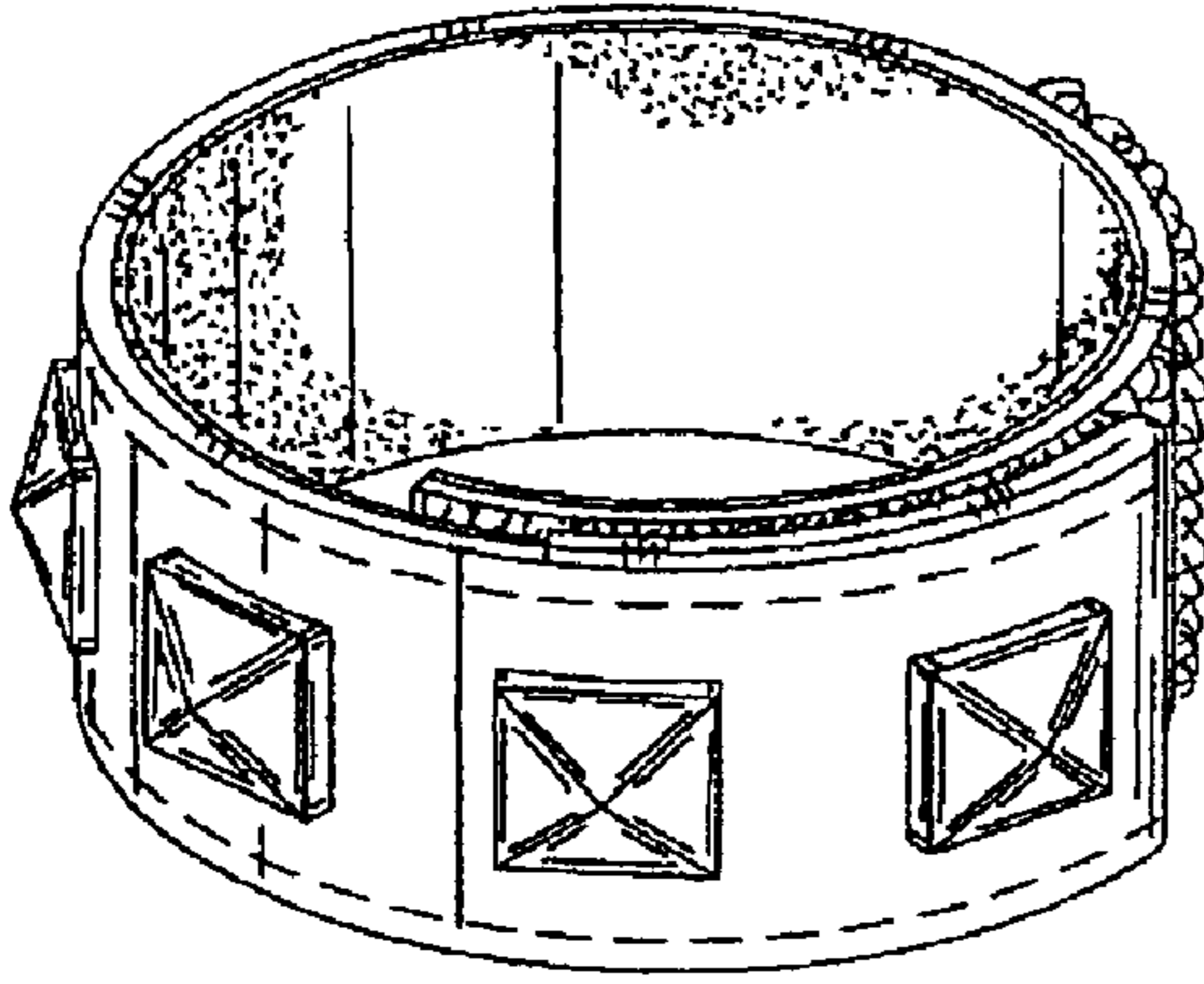


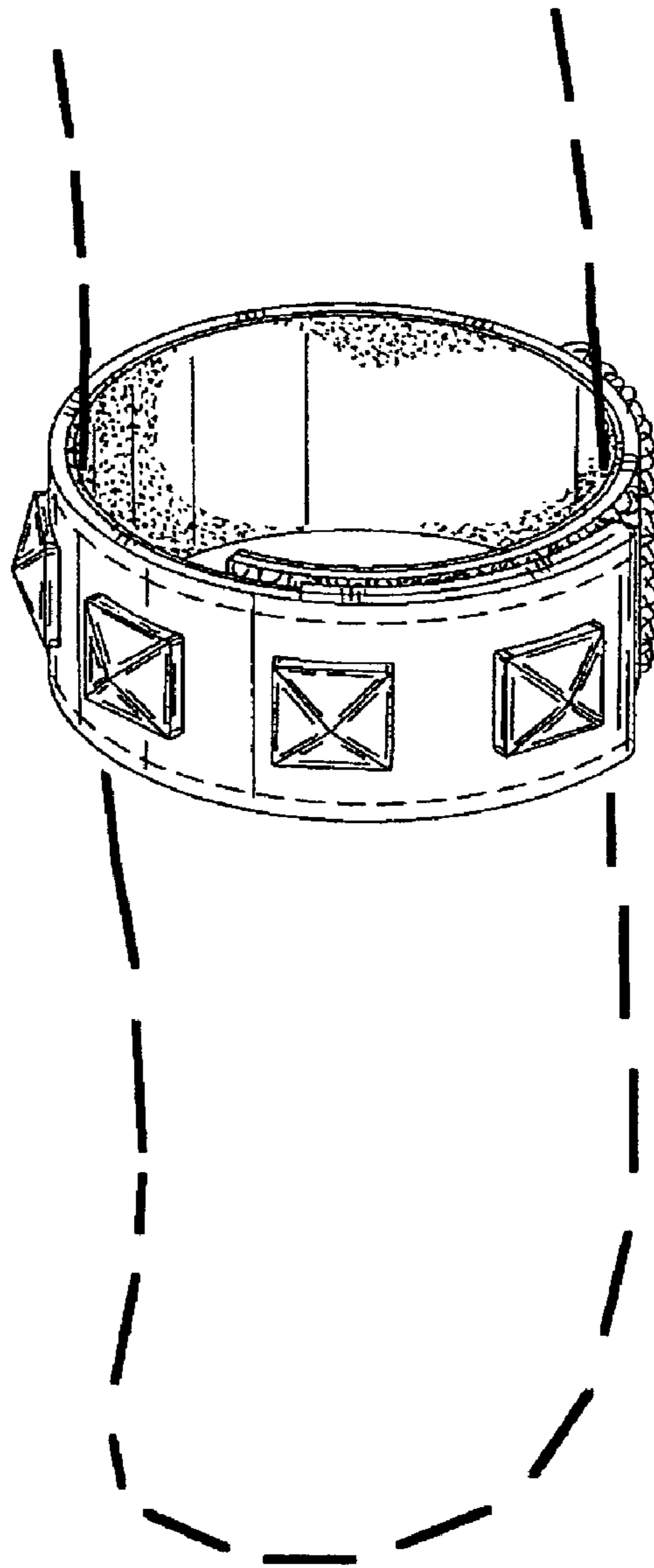
FIG. 6

FIG. 7





**FIG. 8**



**FIG. 9**