



US00D559471S

(12) **United States Design Patent**  
**Dye, Jr.**

(10) **Patent No.:** **US D559,471 S**  
(45) **Date of Patent:** **\*\* Jan. 8, 2008**

(54) **TWO BOWL BIRD BATH**

(76) Inventor: **Gordon S. Dye, Jr.**, 715 Thompson,  
Sheffield, IA (US) 50475

(\*\*) Term: **14 Years**

(21) Appl. No.: **29/260,467**

(22) Filed: **May 26, 2006**

(51) **LOC (8) Cl.** ..... **30-07**

(52) **U.S. Cl.** ..... **D30/123**

(58) **Field of Classification Search** ..... D30/123,  
D30/129, 132, 121; 119/69.5, 673, 57.8,  
119/68, 74, 61.57, 78-81, 61.4, 57.9, 51.5,  
119/61.5, 72; 47/66.6, 39, 67, 83; 239/27,  
239/280, 200, 281, 280.5, 273, 16, 17, 20,  
239/22; 4/644, 627, 638; D7/558; D11/144,  
D11/145, 153; D99/5, 24; 27/1; D23/201,  
D23/292; 248/127, 132, 137, 138, 158, 910;  
215/10; D6/353, 352, 484, 360, 480, 488;  
219/521; 329/442, 459

See application file for complete search history.

(56) **References Cited**

**U.S. PATENT DOCUMENTS**

968,613 A	8/1910	Van Ostrand	
D60,912 S *	4/1922	Lyon	D30/123
3,084,666 A *	4/1963	Plaisance	119/69.5
D197,234 S *	12/1963	Karlik	D30/123
3,176,676 A *	4/1965	Caldwell	126/25 A
4,286,546 A	9/1981	Moore	

5,577,344 A *	11/1996	Zaremba et al.	47/39
5,931,118 A *	8/1999	Thompson	119/69.5
6,123,206 A *	9/2000	Zaremba	211/107
D451,250 S *	11/2001	Chrisco et al.	D30/123
6,684,813 B1 *	2/2004	Lemon	119/69.5
2005/0056227 A1 *	3/2005	Flowers et al.	119/69.5

\* cited by examiner

*Primary Examiner*—Melanie Tung

*Assistant Examiner*—Susan Moon Lee

(74) *Attorney, Agent, or Firm*—Richard John Bartz

(57) **CLAIM**

I claim the ornamental design for a two bowl bird bath, as shown and described.

**DESCRIPTION**

FIG. 1 is a perspective view of the two bowl bird bath of my design;

FIG. 2 is a front elevational view thereof, the rear elevational being a mirror image thereof;

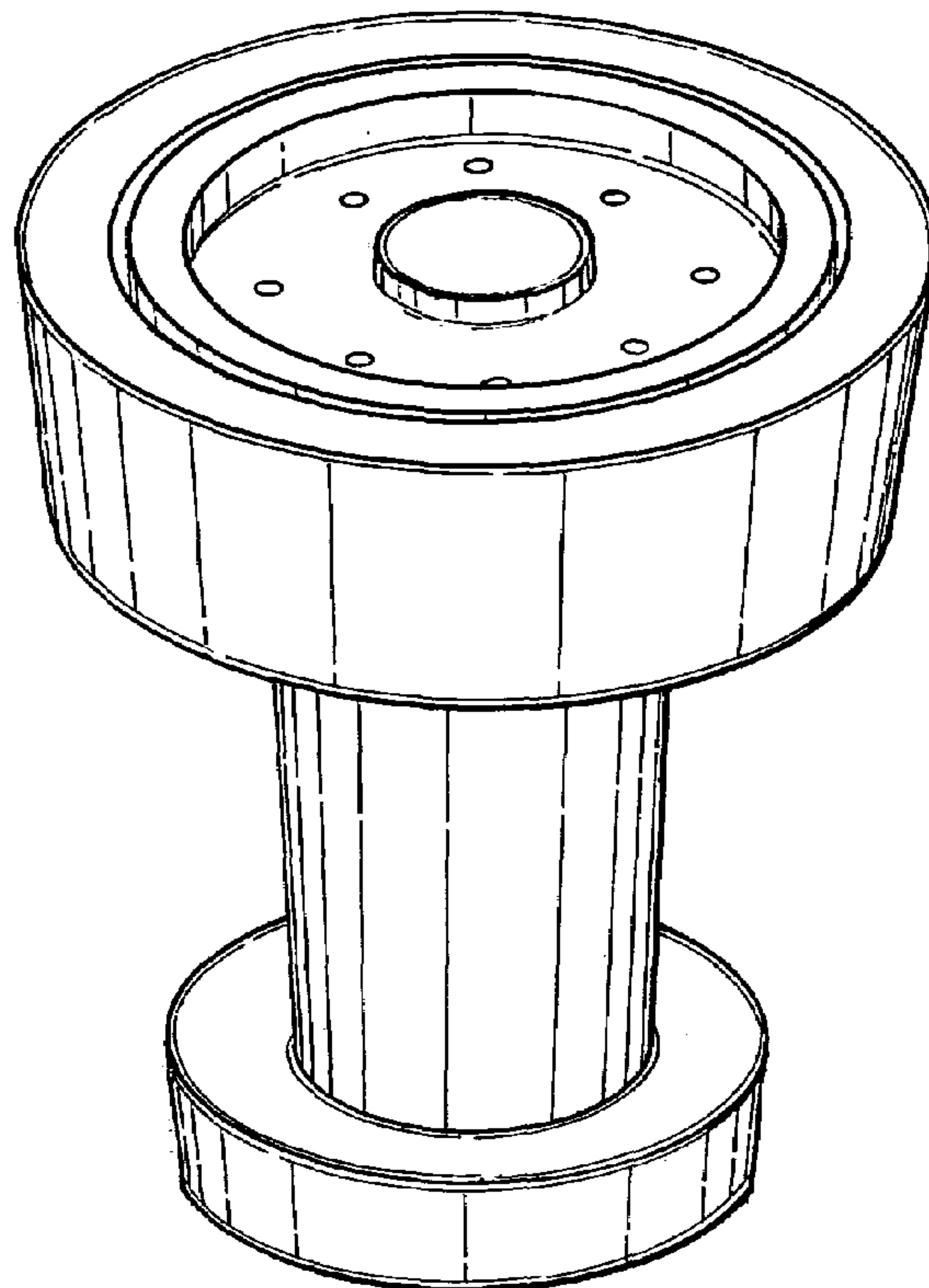
FIG. 3 is a side elevational view of the right side thereof, the side elevational view of the left side being a mirror image thereof;

FIG. 4 is a top plan view thereof;

FIG. 5 is a bottom plan view thereof; and,

FIG. 6 is an enlarged sectional view of the two bowl bird bath taken along line 6—6 of FIG. 4.

**1 Claim, 3 Drawing Sheets**



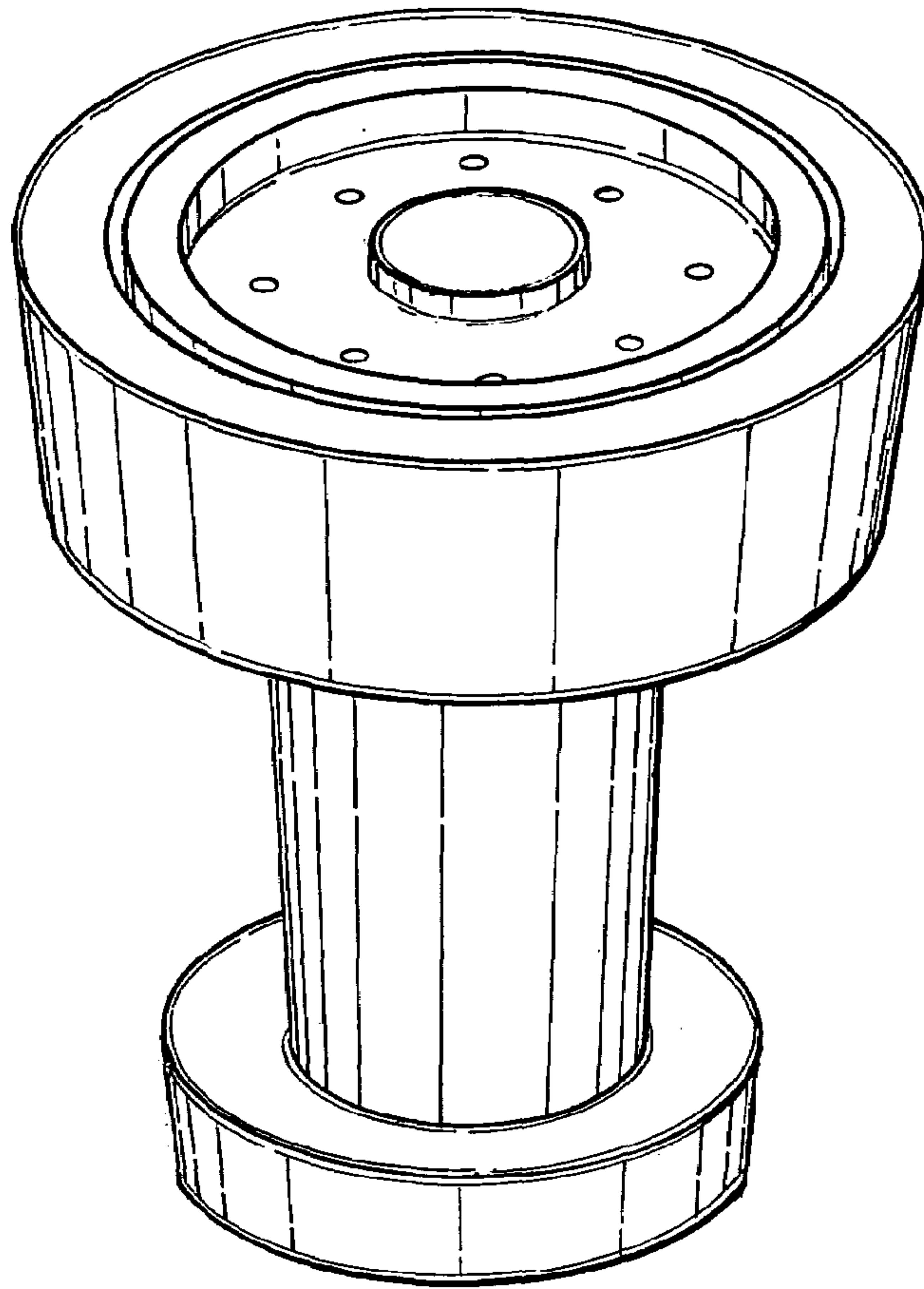


FIG. 1

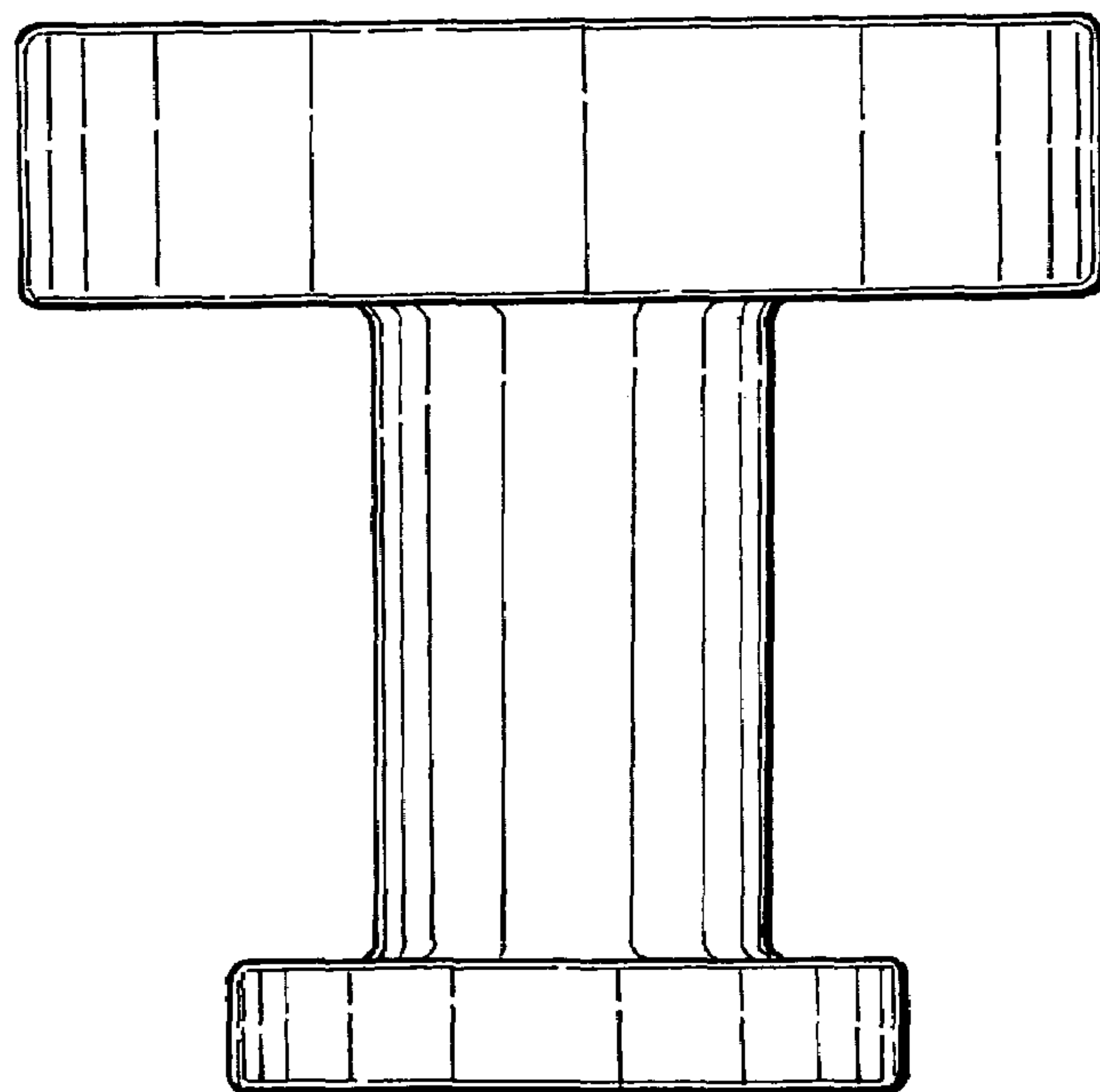


FIG. 2

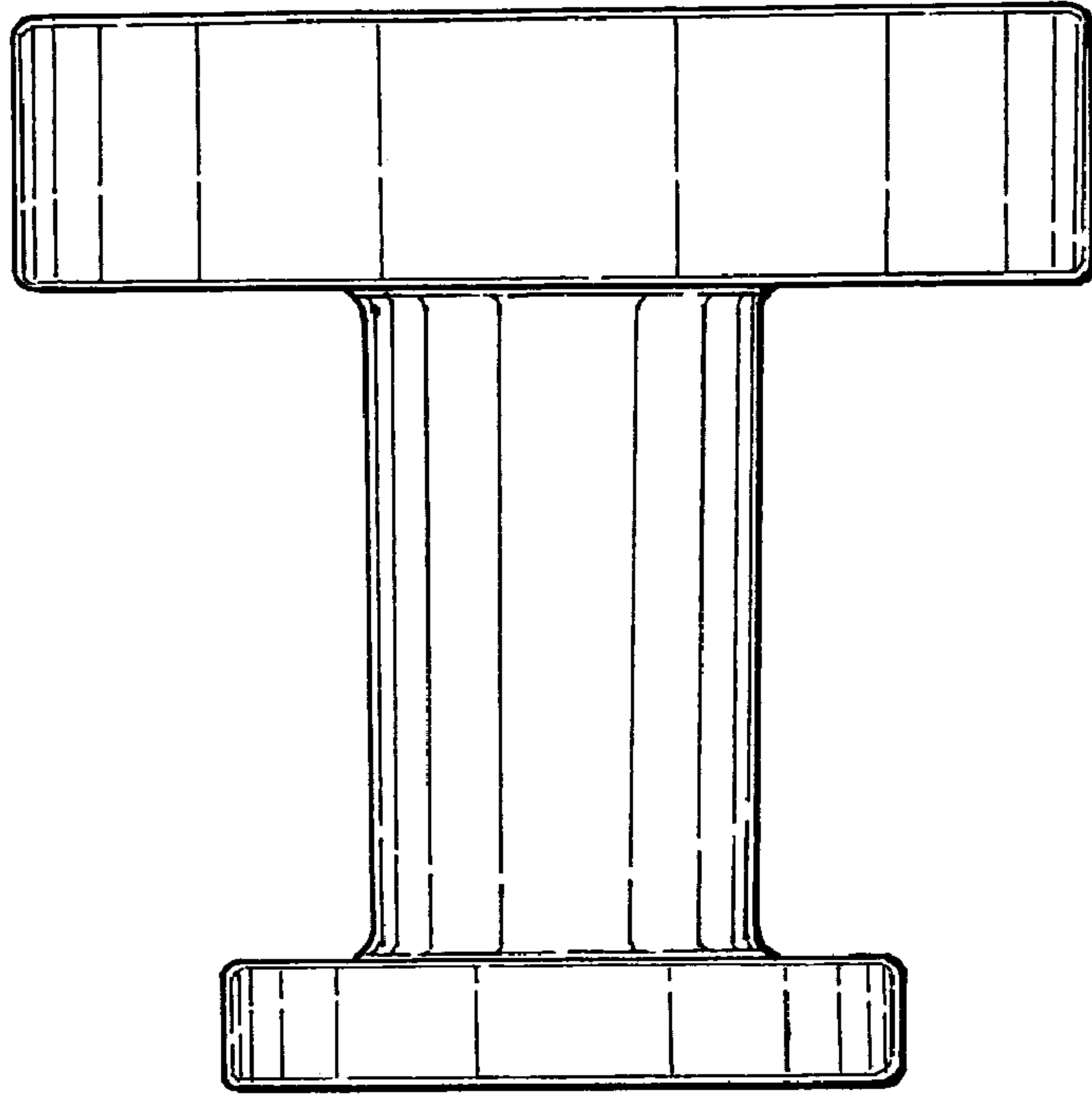


FIG. 3

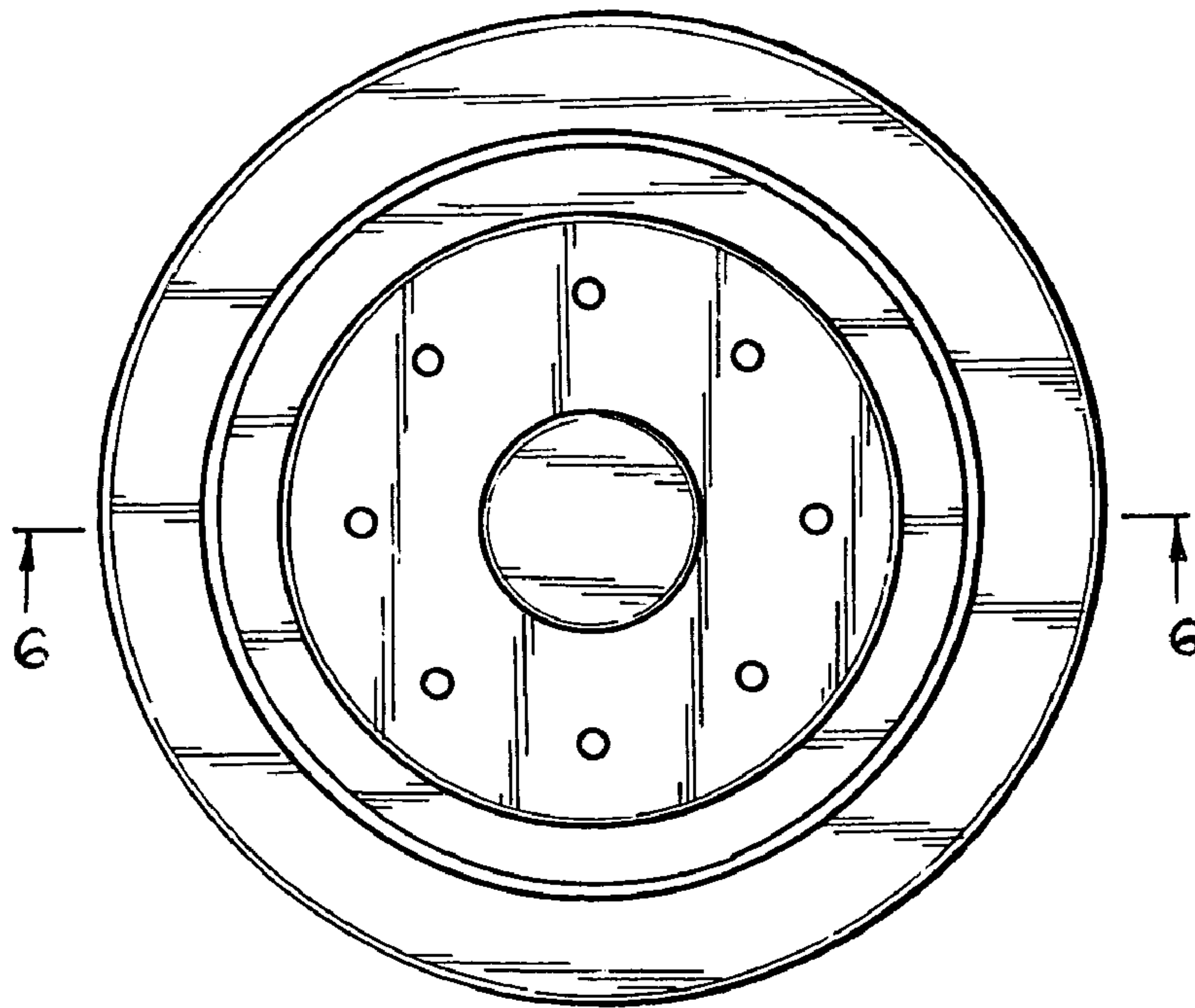


FIG. 4

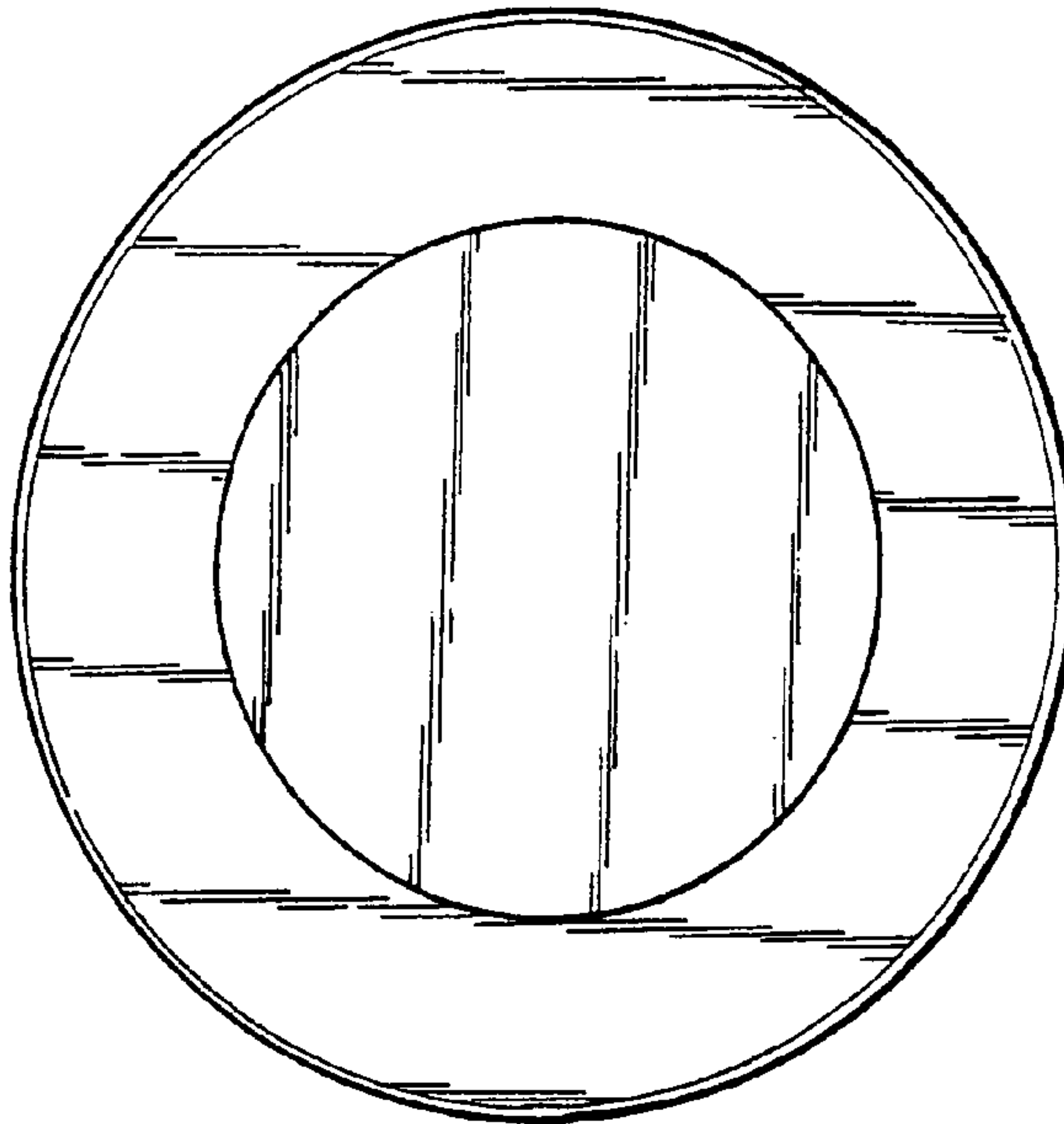


FIG. 5

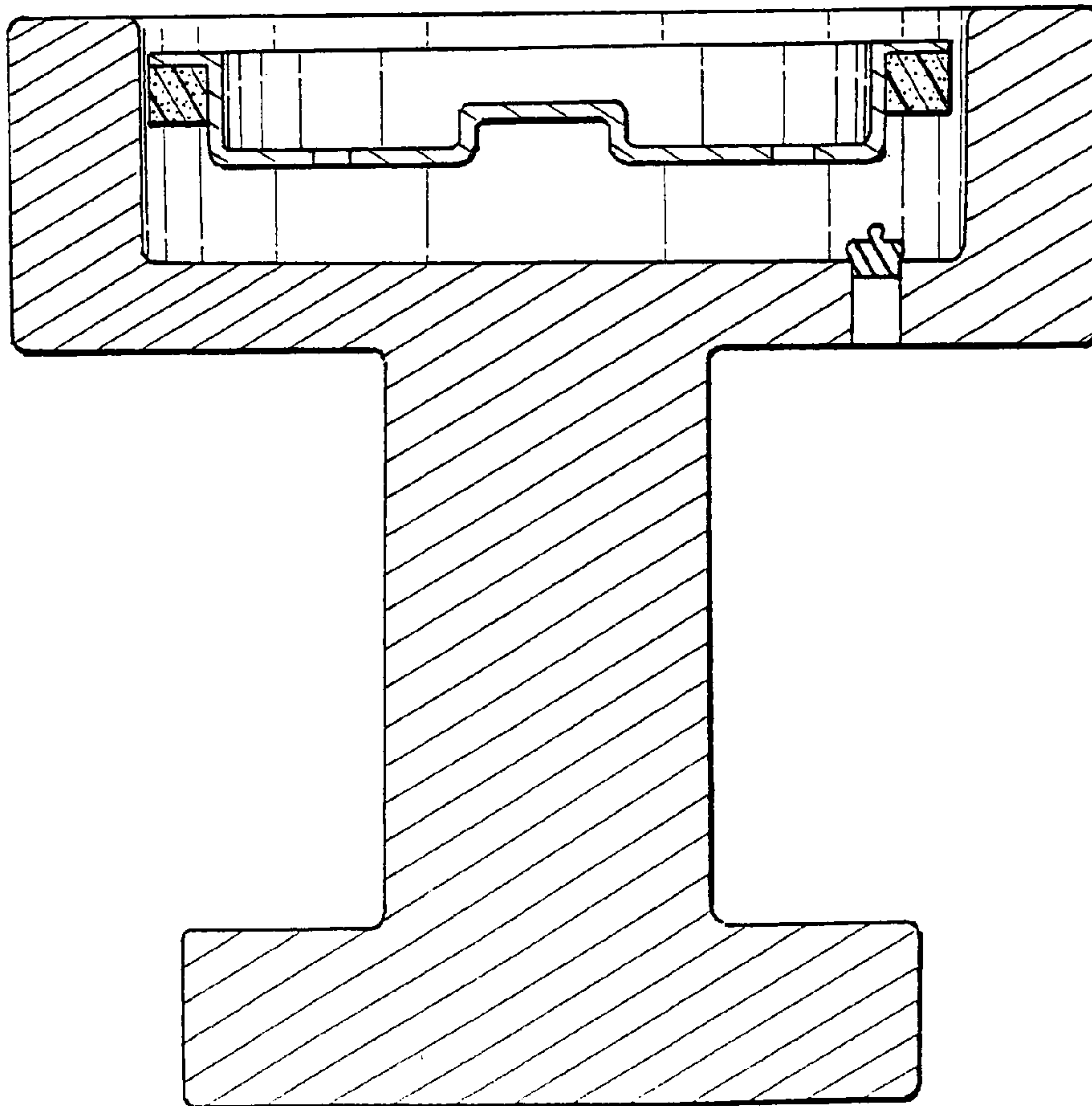


FIG. 6