



US00D559470S

(12) **United States Design Patent** (10) **Patent No.:** **US D559,470 S**
Stevens et al. (45) **Date of Patent:** **** Jan. 8, 2008**

(54) **ANIMAL FEEDER**
(76) Inventors: **Cynthia H. Stevens**, 401 Bowen Dr., Warner Robins, GA (US) 31088; **Henry Stevens**, 401 Bowen Dr., Warner Robins, GA (US) 31088
(**) Term: **14 Years**
(21) Appl. No.: **29/239,121**
(22) Filed: **Sep. 26, 2005**
(51) **LOC (8) Cl.** **30-07**
(52) **U.S. Cl.** **D30/121**
(58) **Field of Classification Search** 119/52.1-52.4, 119/51.01-51.04, 57.91, 57.8-57.9, 51.5, 119/53.5, 51.11-51.14, 53-55, 76; D30/121-133, D30/108, 199; D15/150; D8/1, 2; 99/495-499, 99/506, 508; D7/621, 700, 507, 300.2; 285/319, 285/155, 179; 141/297-300, 331-34, 345; 604/327-329, 331, 346, 347, 349; D6/457, D6/462, 459; D11/146; D23/259-266, 200, D23/233; 47/48.5, 40.5, 44, 47, 79; 403/205; D34/6; 111/106.7, 7.1, 92; D24/121-123; 221/174; 222/460, 462; 73/294; 137/433
See application file for complete search history.

D359,889 S * 7/1995 Hayes D8/1
D364,540 S * 11/1995 Wasyln D8/2
D371,601 S * 7/1996 Markles D24/122
5,533,646 A * 7/1996 Dildine 221/185
D373,659 S * 9/1996 Miller D30/121
5,884,582 A 3/1999 Duckworth
5,894,695 A * 4/1999 Stellatos 47/40.5
5,901,497 A * 5/1999 Bulvin 47/48.5
5,934,222 A * 8/1999 Hwang 119/72
D421,821 S * 3/2000 Kinjerski D30/121
D431,978 S * 10/2000 Mayhill D8/1
6,142,100 A * 11/2000 Marchioro 119/54
D436,166 S * 1/2001 Berkey D24/122
D457,399 S * 5/2002 Jaggernaut D8/1
D473,628 S * 4/2003 Tracy D23/201
6,539,991 B1 * 4/2003 Ackerman 141/331
D476,451 S * 6/2003 Morgan, Sr. D30/121

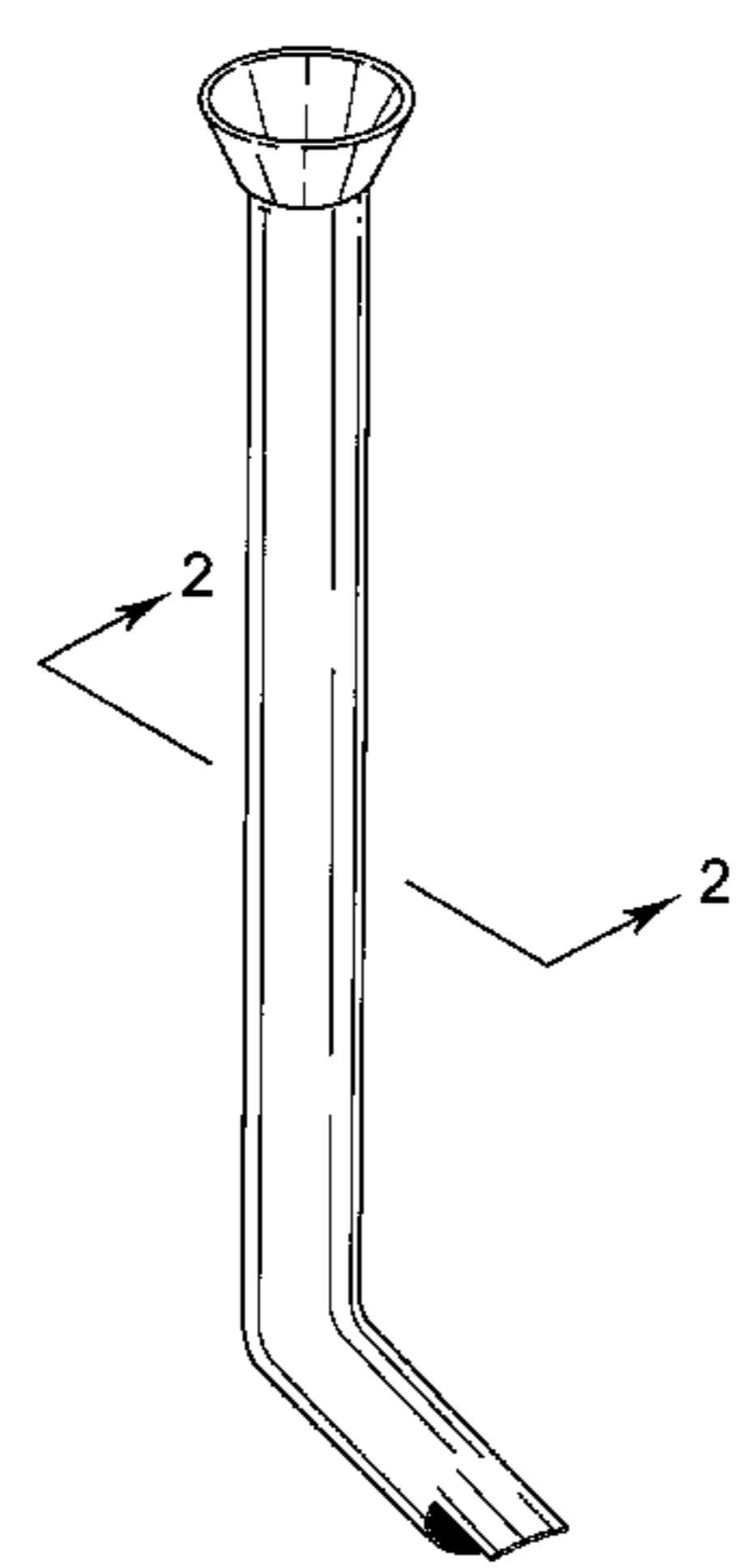
* cited by examiner
Primary Examiner—M. H. Tung
Assistant Examiner—Susan Moon Lee
(74) *Attorney, Agent, or Firm*—Raymond M. Galasso; Galasso & Associates, LP

(57) **CLAIM**
The ornamental design for an animal feeder, as shown.

(56) **References Cited**
U.S. PATENT DOCUMENTS
634,927 A * 10/1899 Wellsted 119/53.5
2,260,430 A * 10/1941 Blasingame 141/334
D135,952 S * 7/1943 Warren D7/700
2,809,468 A * 10/1957 Eliot 47/44
3,005,620 A * 10/1961 Trunnell 254/134.3 R
D213,292 S * 2/1969 Arsenault et al. D24/121
4,065,195 A 12/1977 Fahmie
4,170,252 A * 10/1979 Peterson 141/331
D263,715 S * 4/1982 Walter D15/199
5,170,729 A * 12/1992 Benner 111/7.2
D336,554 S * 6/1993 Reeder D30/121
5,233,941 A * 8/1993 Ayliffe et al. 119/57.91
5,311,838 A * 5/1994 Thomas et al. 119/51.5
5,372,093 A * 12/1994 Pooshs 119/51.11
5,410,986 A * 5/1995 Washam 119/52.2

DESCRIPTION
FIG. 1 is a perspective view of the animal feeder, as disclosed herein.
FIG. 2 is a sectional view of the animal feeder, as depicted in FIG. 1.
FIG. 3 is an enlarged top view of the animal feeder, as depicted in FIG. 1.
FIG. 4 is an enlarged bottom view of the animal feeder, as depicted in FIG. 1.
FIG. 5 is a front view of the animal feeder, as depicted in FIG. 1; and,
FIG. 6 is a rear view of the animal feeder, as depicted in FIG. 1.

1 Claim, 6 Drawing Sheets



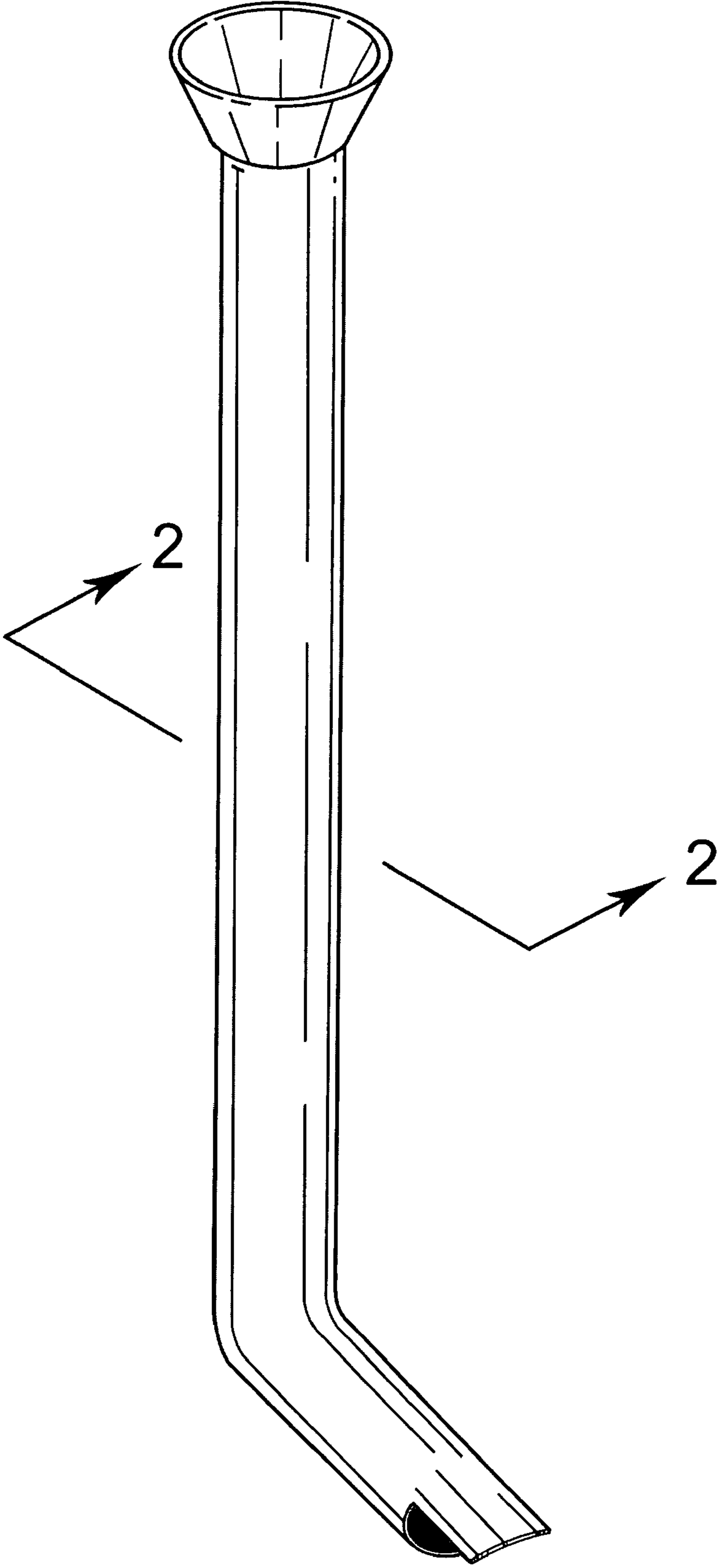


FIG. 1

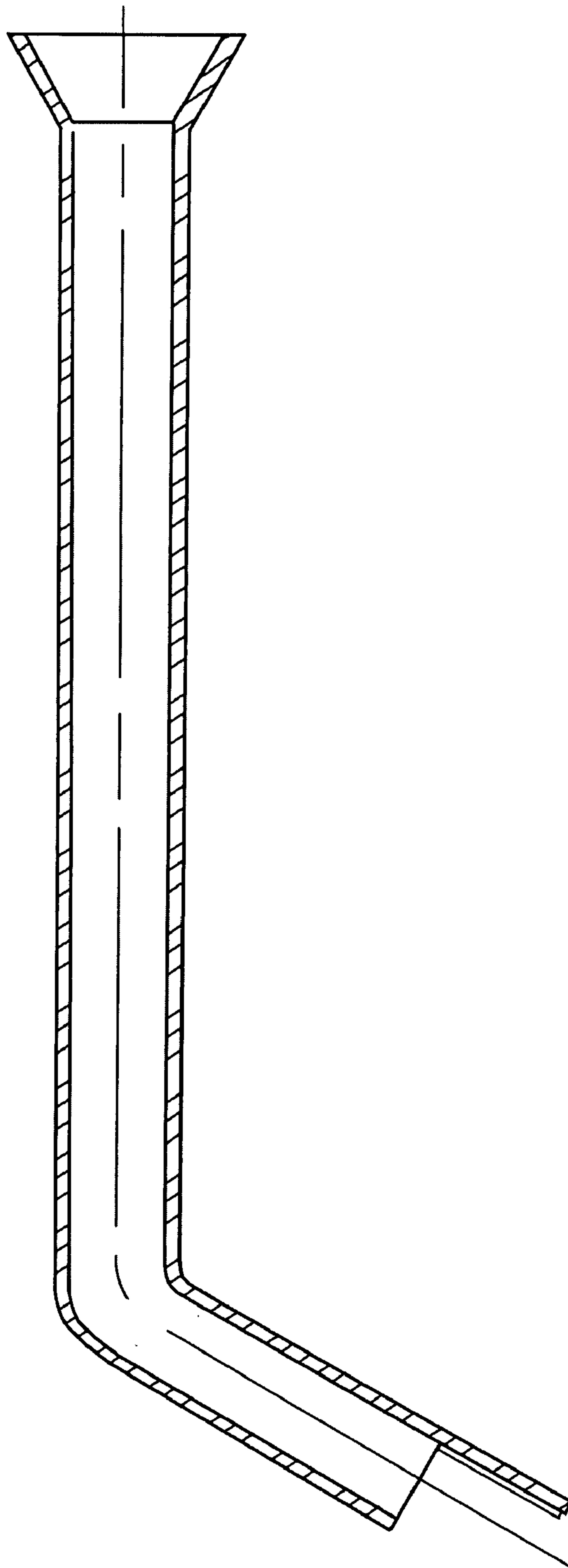


FIG. 2

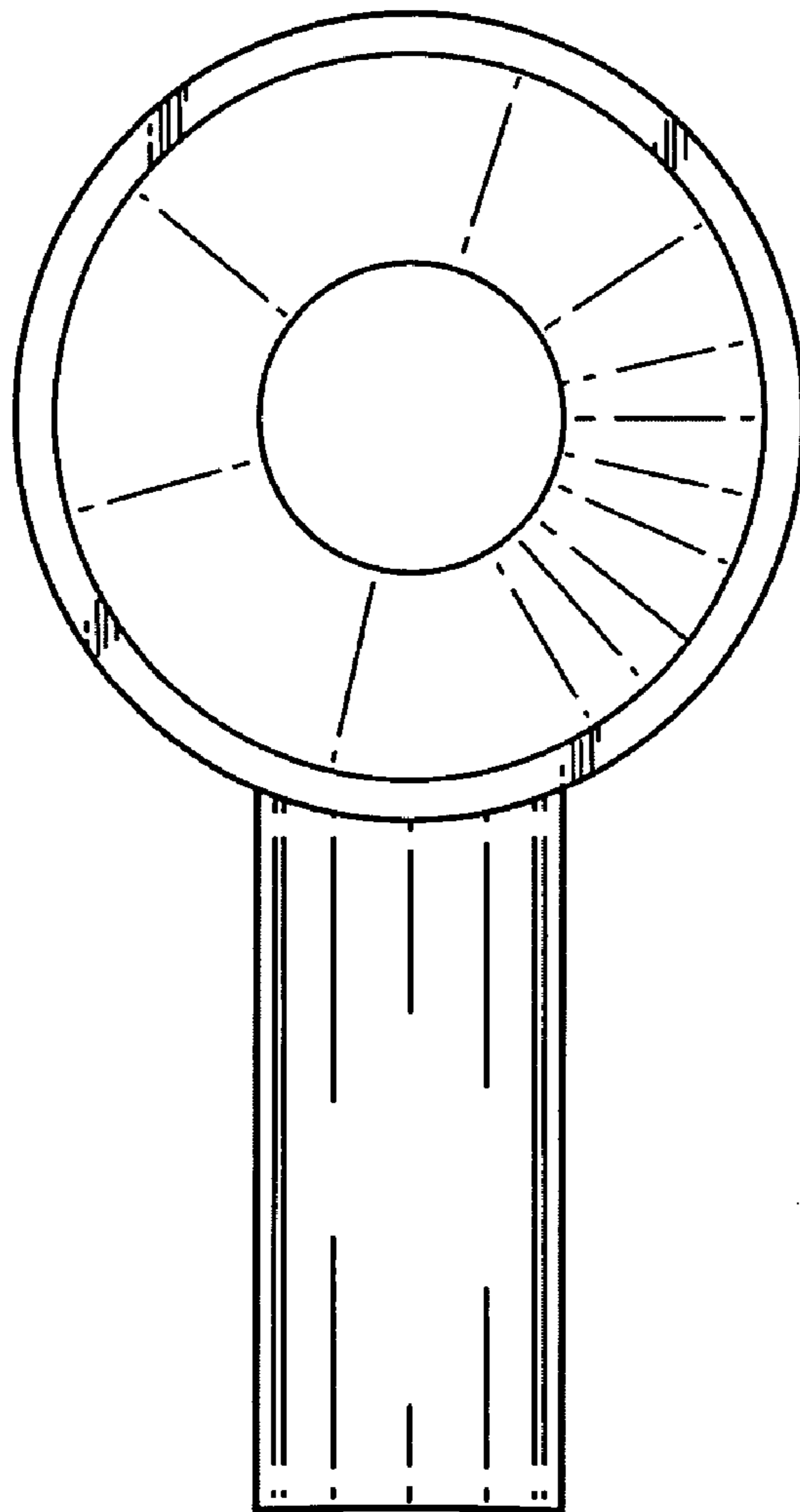


FIG. 3

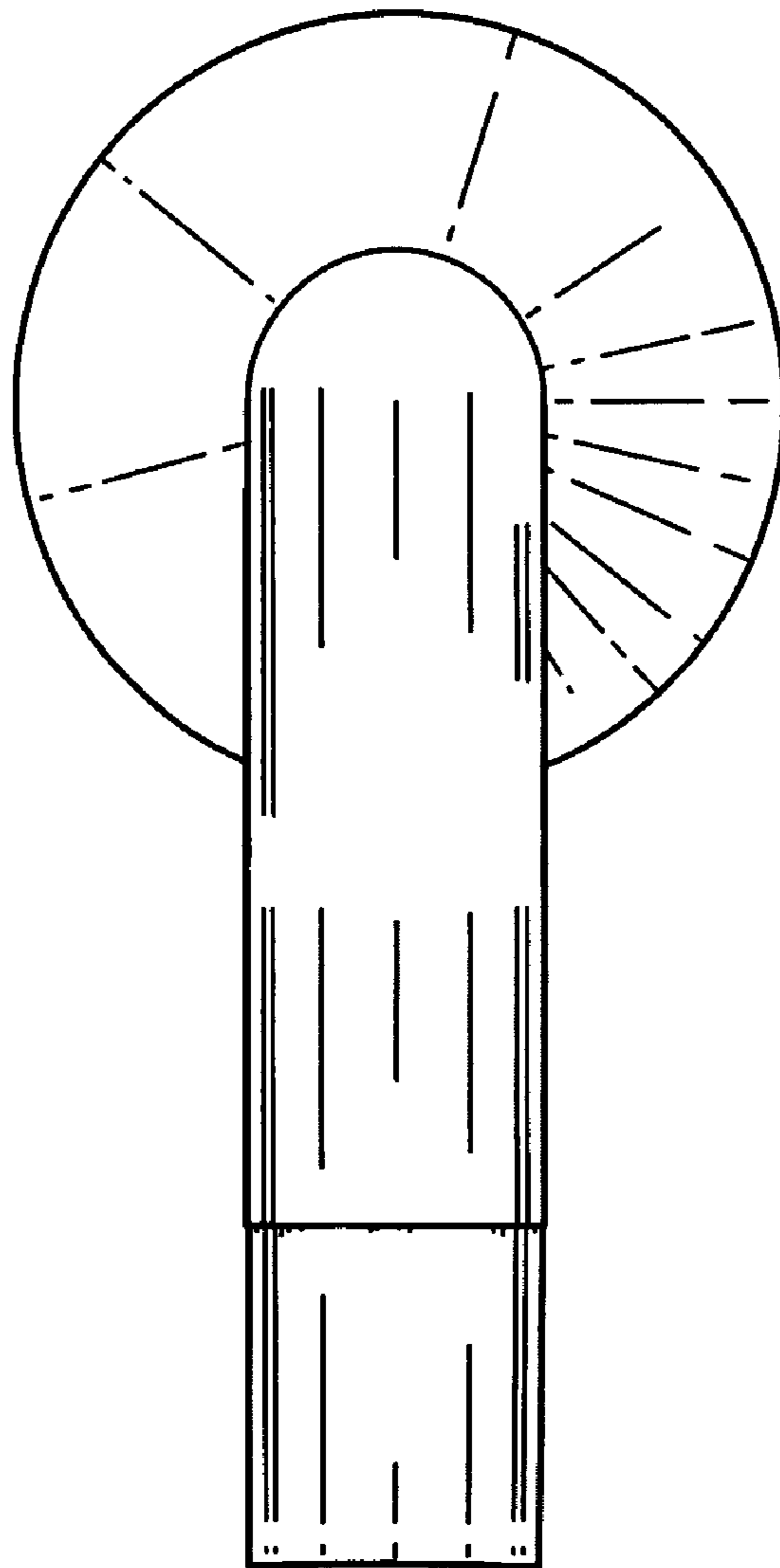


FIG. 4

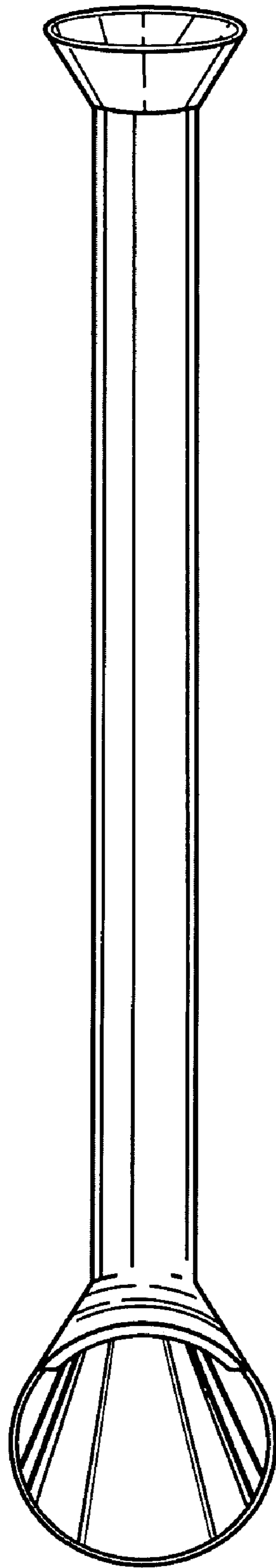


FIG. 5

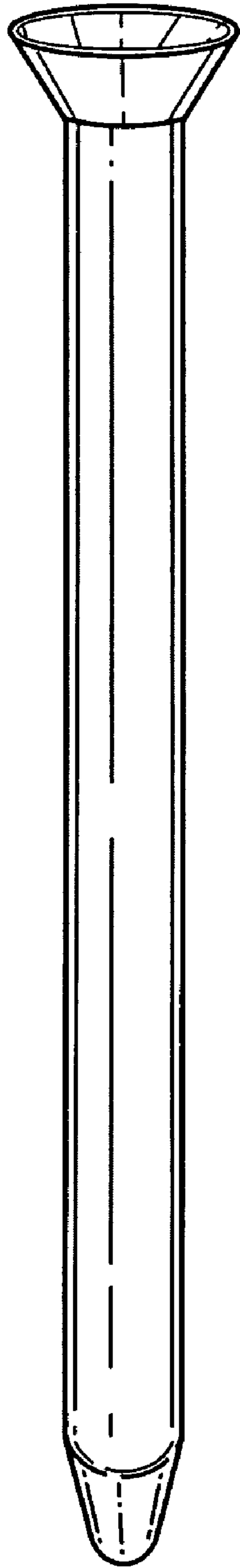


FIG. 6