



US00D559468S

(12) **United States Design Patent**
Broeckl

(10) **Patent No.:** **US D559,468 S**

(45) **Date of Patent:** **** *Jan. 8, 2008**

(54) **HELMET**

(75) Inventor: **Walter Broeckl**, Maisach (DE)

(73) Assignee: **Golden Dress Reithosen GmbH** (DE)

(*) Notice: This patent is subject to a terminal disclaimer.

(**) Term: **14 Years**

(21) Appl. No.: **29/263,459**

(22) Filed: **Jul. 24, 2006**

(51) **LOC (8) Cl.** **29-02**

(52) **U.S. Cl.** **D29/105**

(58) **Field of Classification Search** D29/102-107,
D29/122; 2/410-411, 414, 416, 421-425,
2/205, 6.1, 6.3-6.7

See application file for complete search history.

(56) **References Cited**

U.S. PATENT DOCUMENTS

D476,776 S *	7/2003	Finquel	D29/102
D490,572 S *	5/2004	Finquel	D29/106
D497,040 S *	10/2004	Strauss	D29/122
D504,543 S *	4/2005	Strauss	D29/104
D518,241 S *	3/2006	Finquel	D29/105
D530,043 S *	10/2006	Foote et al.	D29/102
D532,161 S *	11/2006	Finquel	D29/102

OTHER PUBLICATIONS

International Riding Helmets #861 ATH Black Velvet with Black Panel, www.thornhillusa.com [online]. Retrieved from the Internet

on Mar. 30, 2007. <<http://web.archive.org/web/20041229003257/www.thornhillusa.com/helmets.html>>.*

* cited by examiner

Primary Examiner—Ruth McInroy

(74) *Attorney, Agent, or Firm*—Gerald E. Hespos; Anthony J. Casella

(57) **CLAIM**

The ornamental design for a helmet, as shown and described.

DESCRIPTION

FIG. 1 is a front elevational view of a helmet in accordance with my design;

FIG. 2 is a rear elevational view thereof;

FIG. 3 is a top plan view thereof;

FIG. 4 is a bottom plan view thereof;

FIG. 5 is a side elevational view thereof as viewed from the left side of FIG. 1;

FIG. 6 is a side elevational view as viewed from the right side of FIG. 1; and,

FIG. 7 is a perspective view thereof.

The details shown in broken lines represent conventional stitching and unclaimed structure, which form no part of the claimed design.

1 Claim, 7 Drawing Sheets

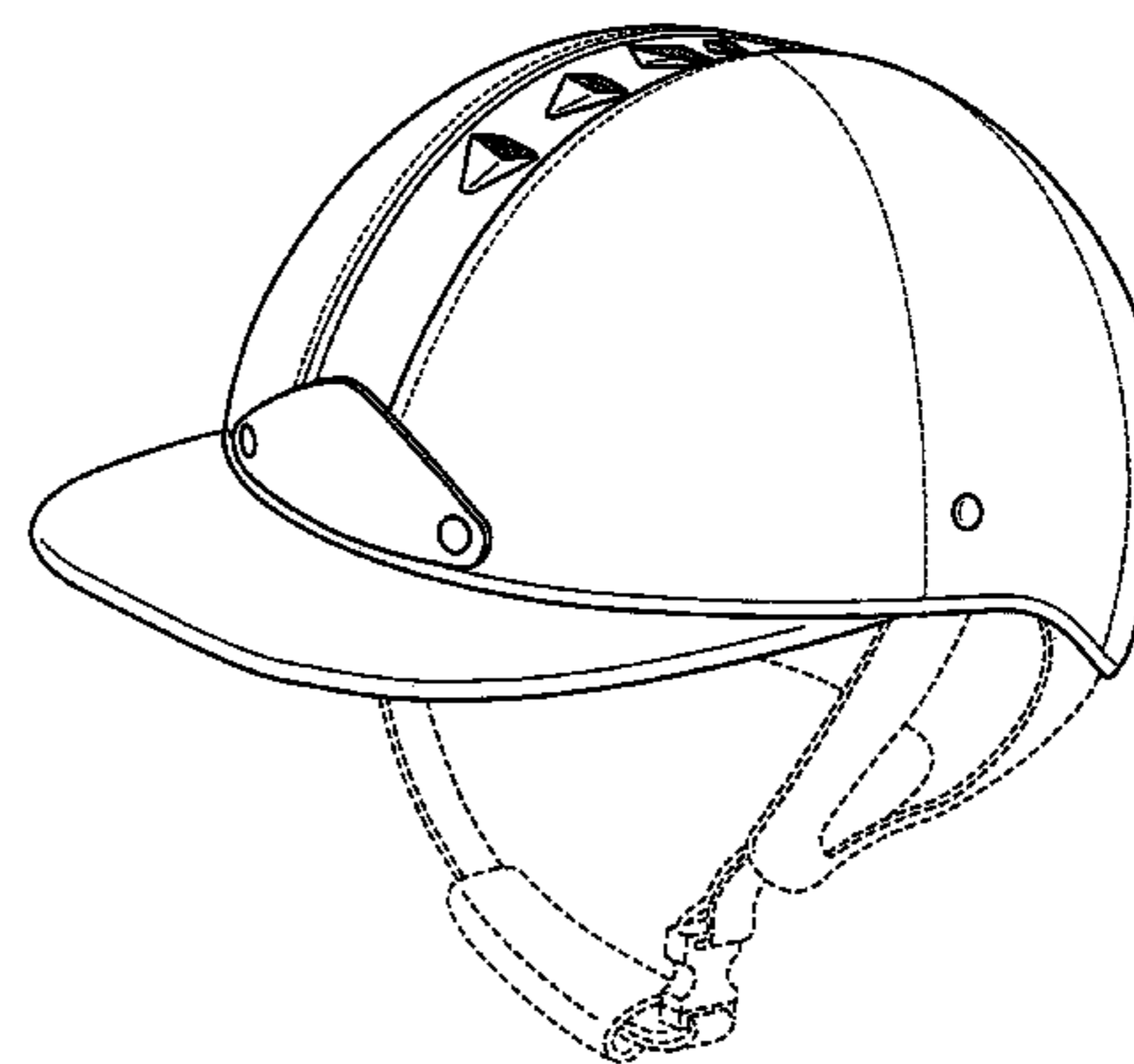
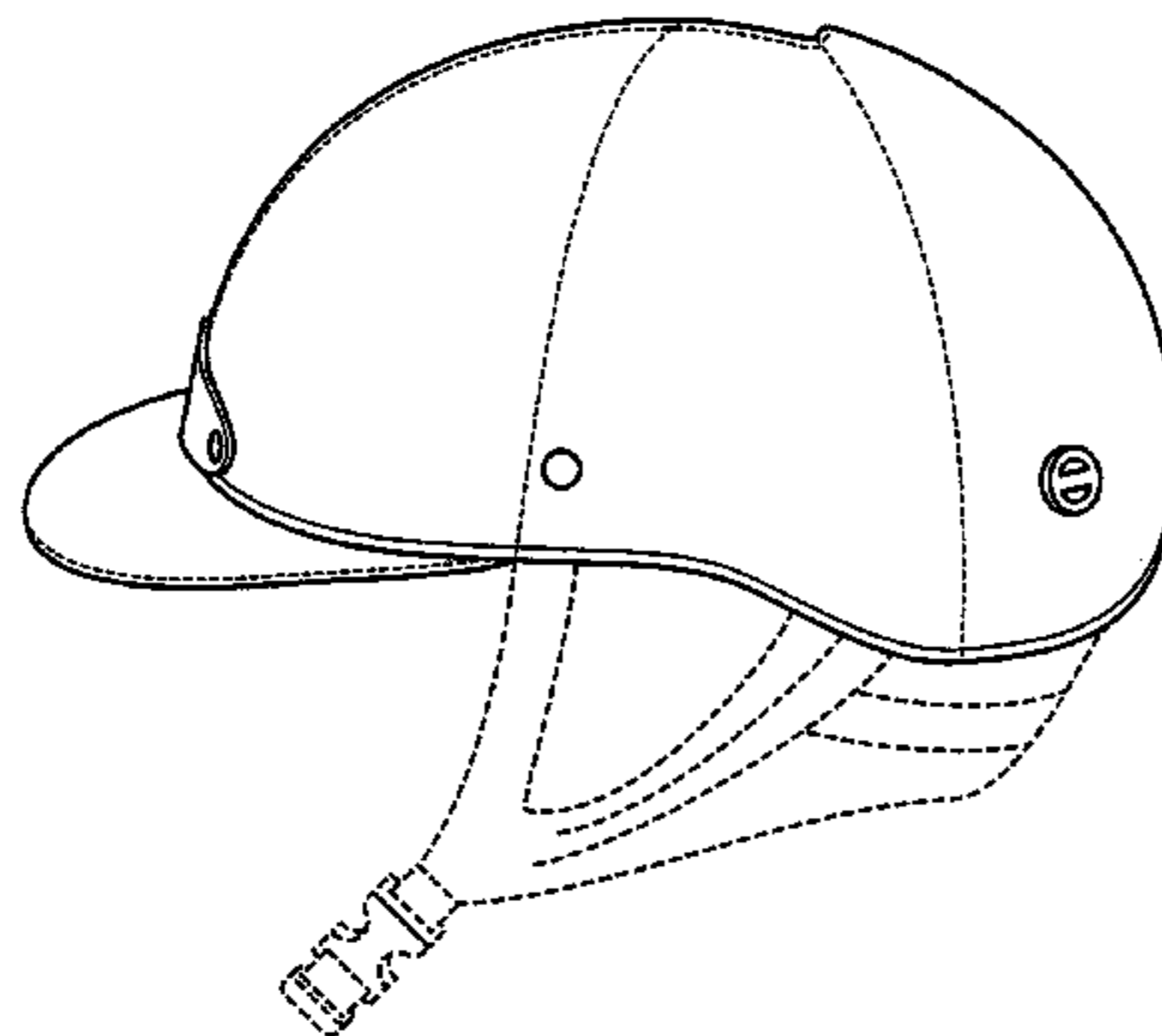
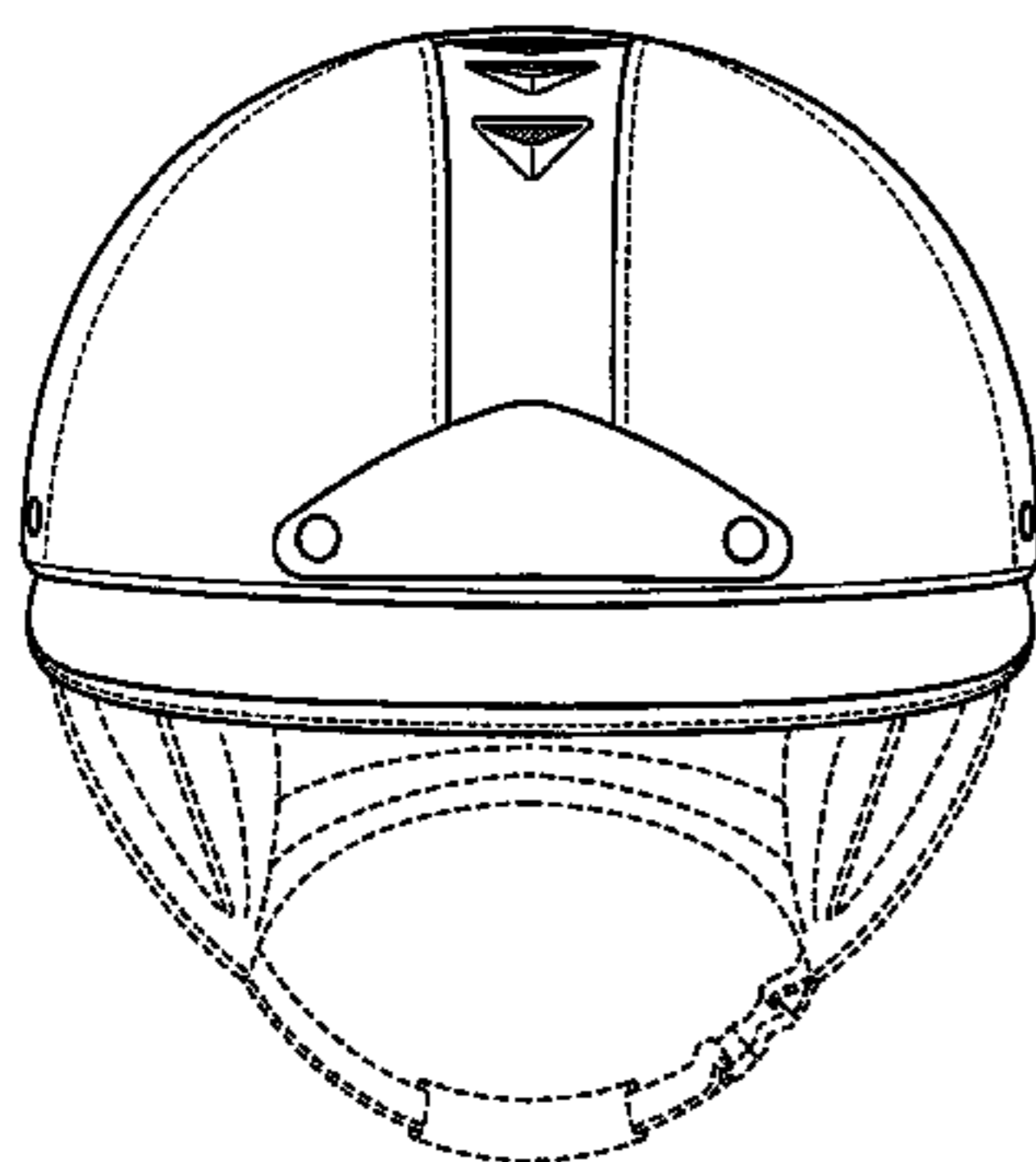


FIG. 1

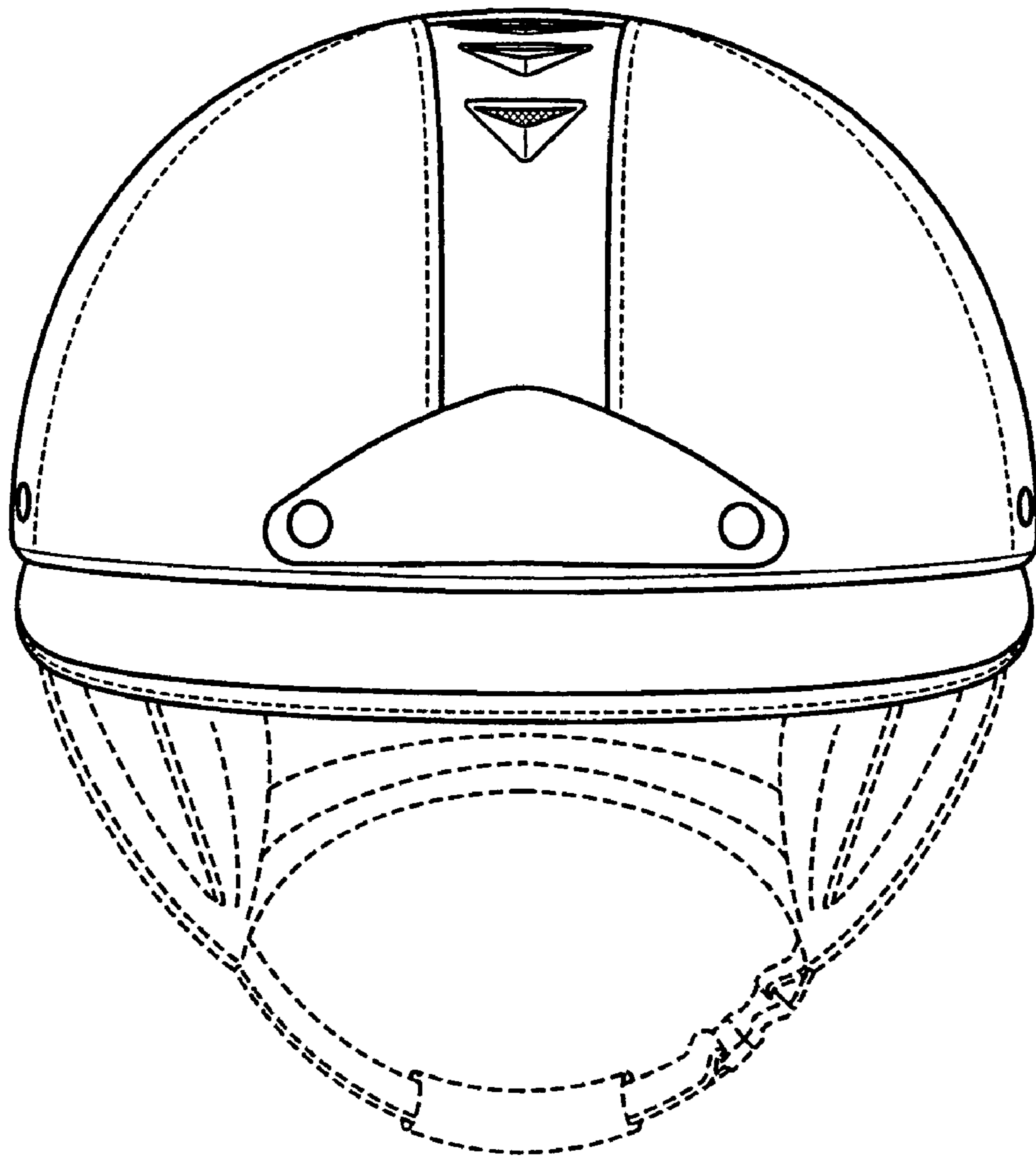


FIG. 2

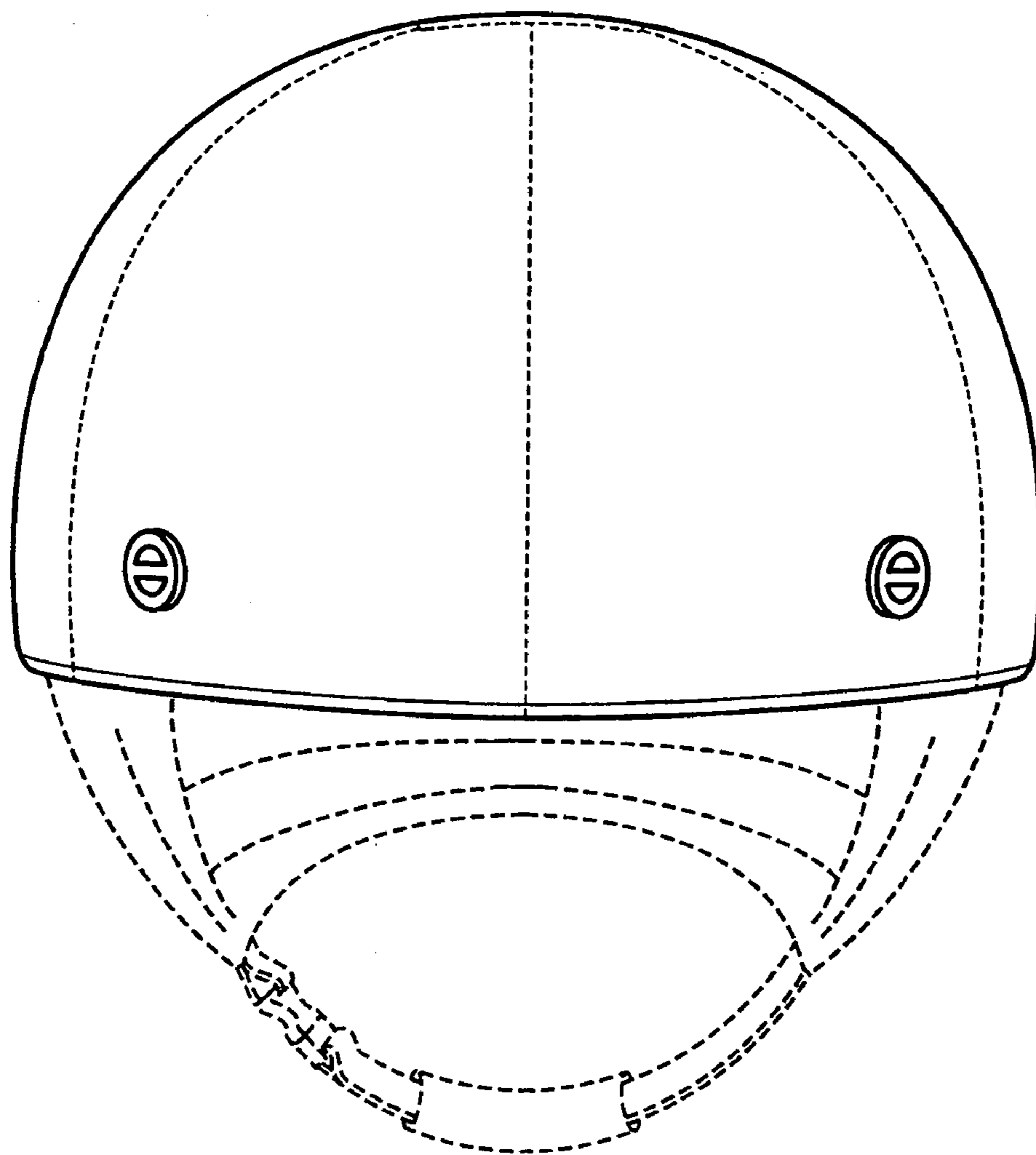


FIG. 3

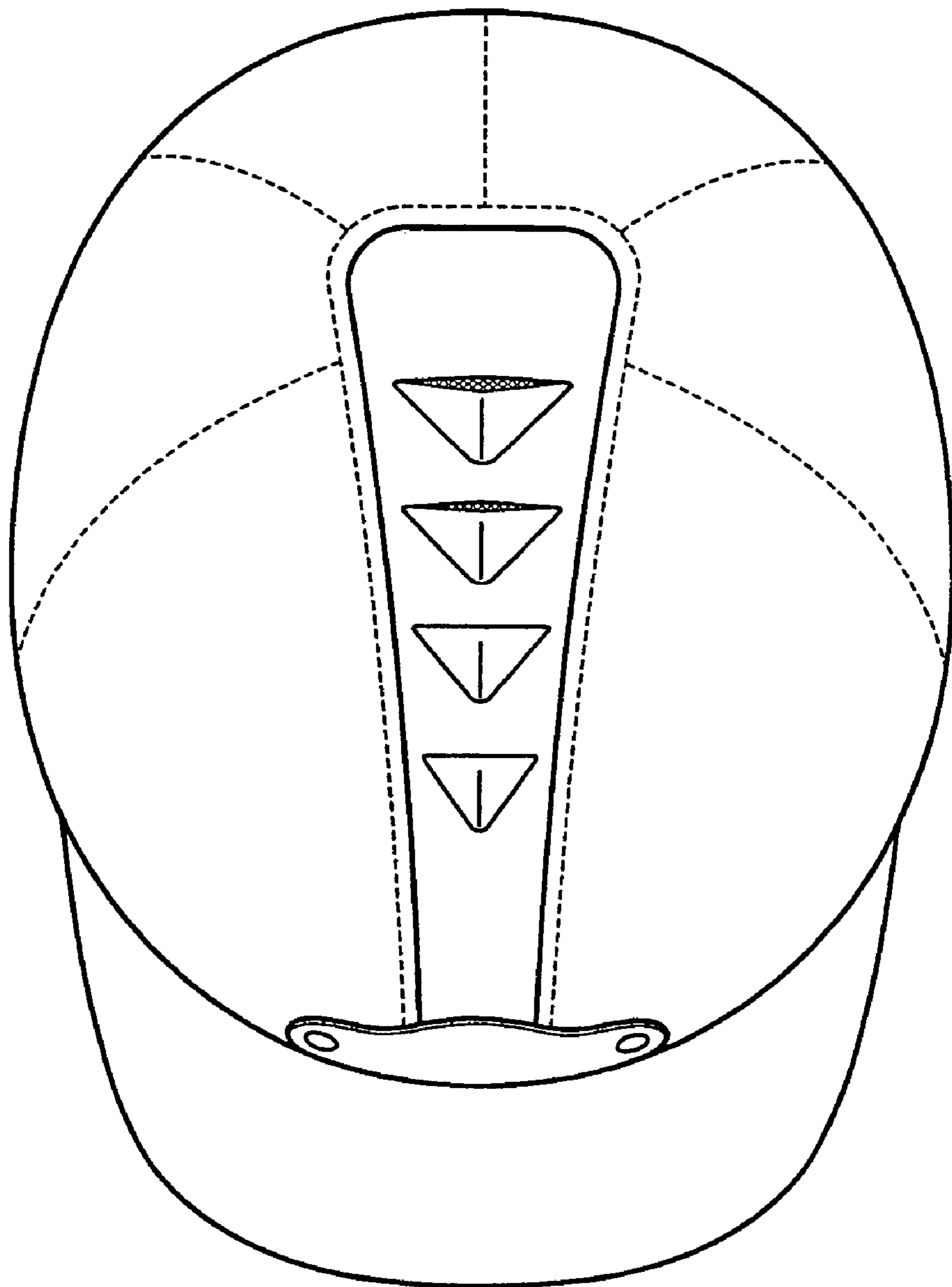


FIG. 4

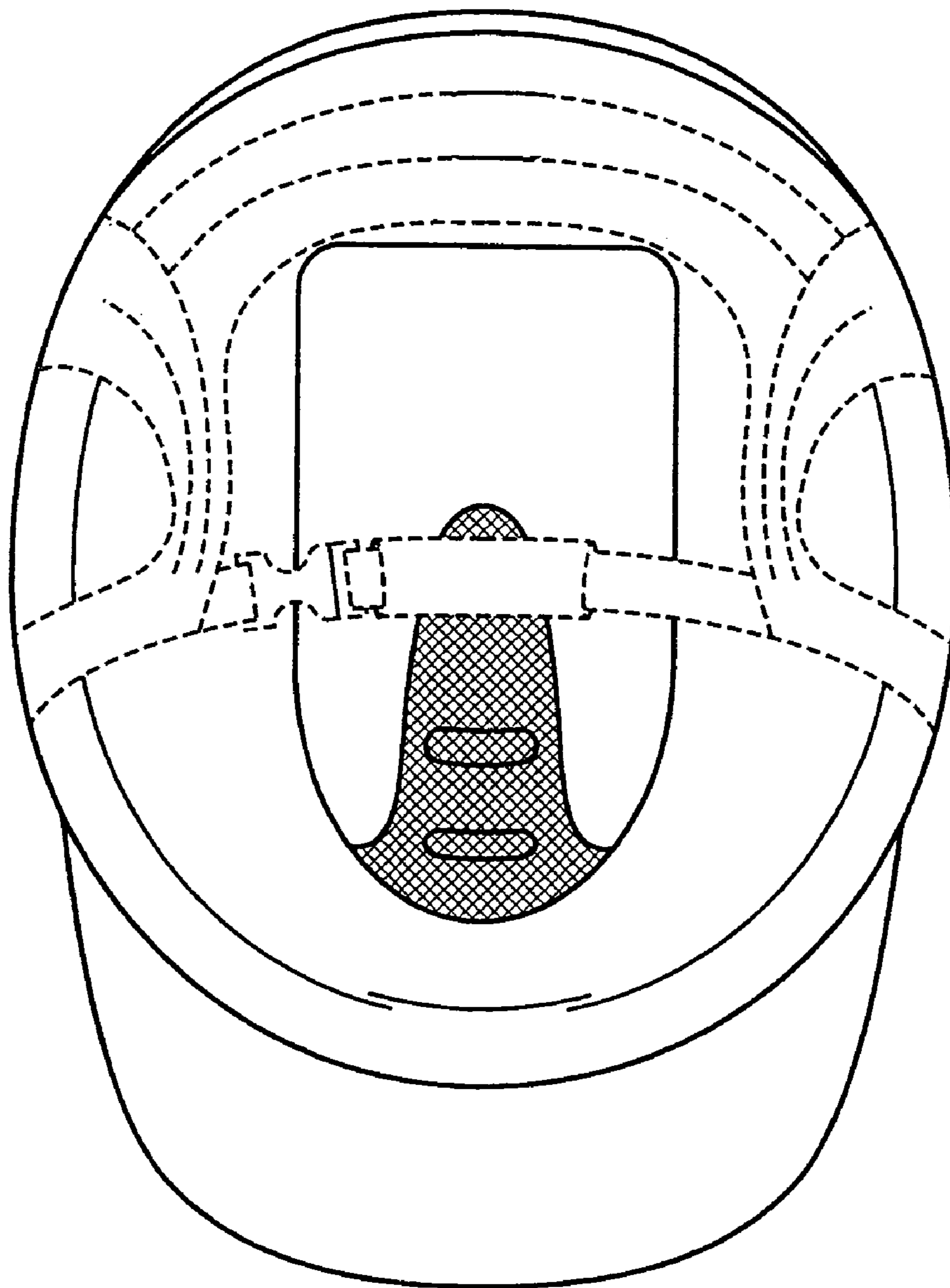


FIG. 5

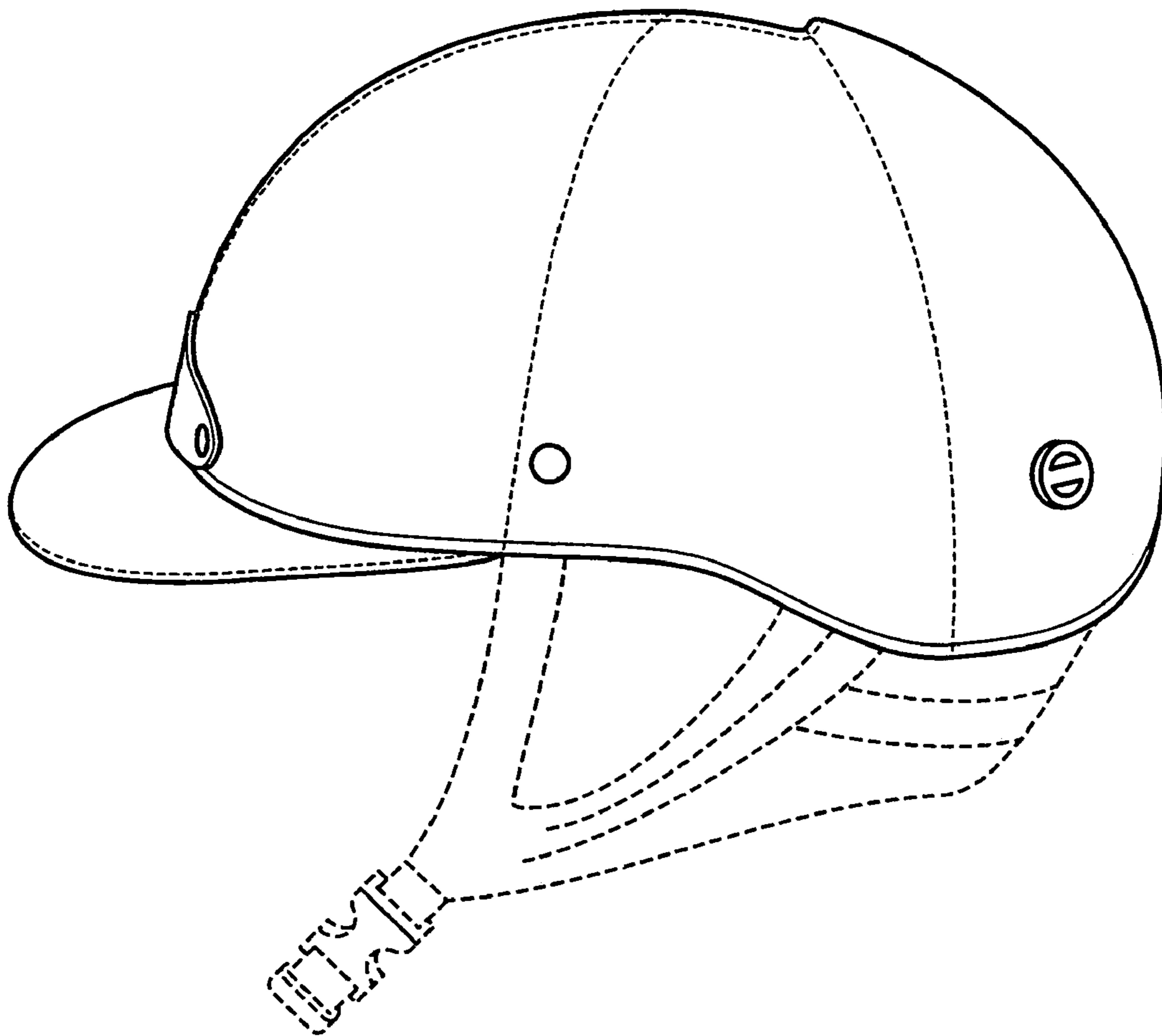


FIG. 6

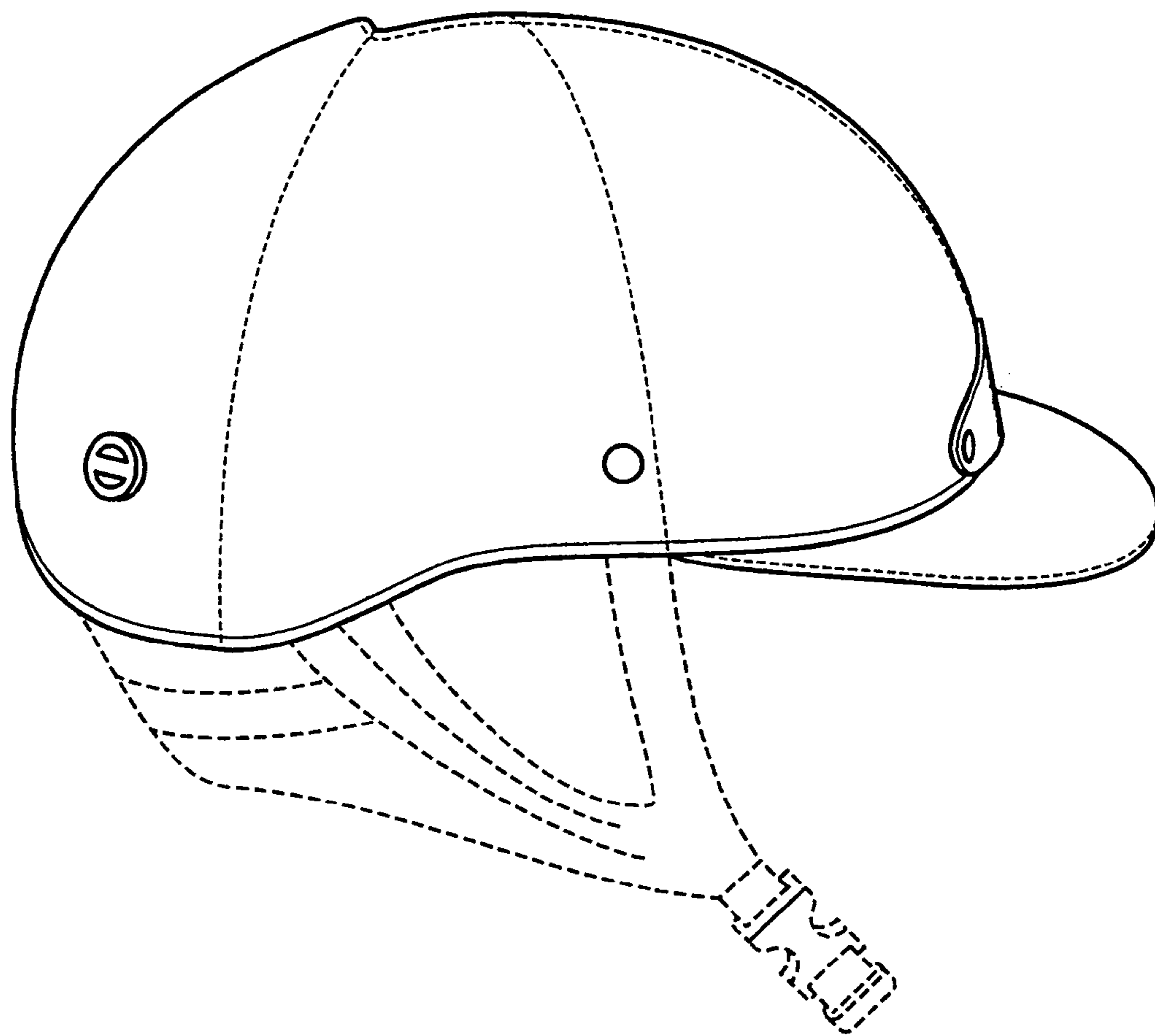


FIG. 7

