



US00D559465S

(12) **United States Design Patent**
Jenkins et al.

(10) **Patent No.: US D559,465 S**
(45) **Date of Patent: ** Jan. 8, 2008**

(54) **COMPACT MIRROR ASSEMBLY**

(75) Inventors: **Sally Jenkins**, Charlotte, NC (US);
Aaron Hawkins, Charlotte, NC (US);
William Riley, Richmond, VA (US)

(73) Assignee: **Goody Products, Inc.**, Freeport, IL (US)

(**) Term: **14 Years**

(21) Appl. No.: **29/249,761**

(22) Filed: **Oct. 20, 2006**

(51) **LOC (8) Cl. 28-03**

(52) **U.S. Cl. D28/83**

(58) **Field of Classification Search** 132/286,
132/287, 288, 293–307, 312–318; D28/76–84;
206/581, 823

See application file for complete search history.

(56) **References Cited**

U.S. PATENT DOCUMENTS

2,010,521	A *	8/1935	Kreisler	132/301
3,527,527	A *	9/1970	Manowitz	132/316
D267,821	S *	2/1983	Guth et al.	D28/38
D281,827	S *	12/1985	Bakic	D28/83
D290,759	S *	7/1987	Trabattoni	D28/83
D346,044	S	4/1994	Chen	D28/87
D354,373	S	1/1995	Khoury	D28/77
5,611,362	A	3/1997	Duncan et al.	132/301
D459,031	S *	6/2002	Limongi	D28/83
6,502,587	B1	1/2003	Kellum et al.	132/301
2006/0283476	A1 *	12/2006	Bennett	132/293

* cited by examiner

Primary Examiner—Jennifer Rivard

(74) *Attorney, Agent, or Firm*—Marshall, Gerstein & Borun LLP

(57) **CLAIM**

The ornamental design for a “compact mirror assembly,” as shown and described.

DESCRIPTION

FIG. 1 is a perspective view from the front and left of a compact mirror assembly having our new design;

FIG. 2 is a plan view thereof;

FIG. 3 is a bottom view thereof;

FIG. 4 is a front view thereof;

FIG. 5 is a rear view thereof;

FIG. 6 is a right side elevational view thereof;

FIG. 7 is a left side elevational view thereof;

FIG. 8 is a perspective view from the front and left of the compact mirror assembly of FIG. 1 having our new design and with the lid in an open position, wherein a first mirror is located on the inside of the lid and a second mirror is located on the inside of the base;

FIG. 9 is a plan view thereof;

FIG. 10 is a bottom view thereof;

FIG. 11 is a front view thereof;

FIG. 12 is a rear view thereof;

FIG. 13 is a right side elevational view thereof;

FIG. 14 is a left side elevational view thereof;

FIG. 15 is a perspective view from the front and left of the compact mirror assembly of FIG. 1 having our new design and with the lid and the tray in open positions;

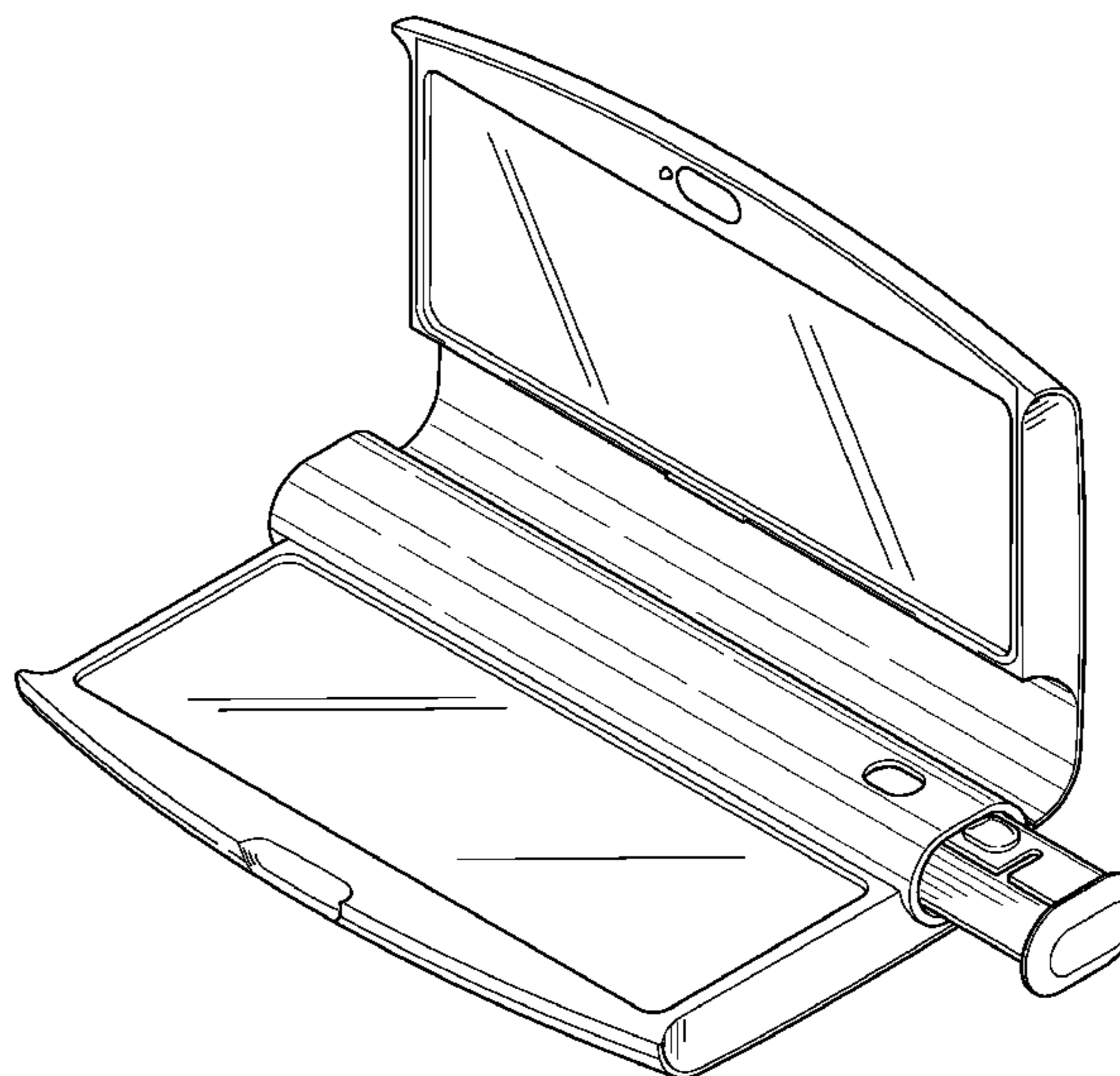
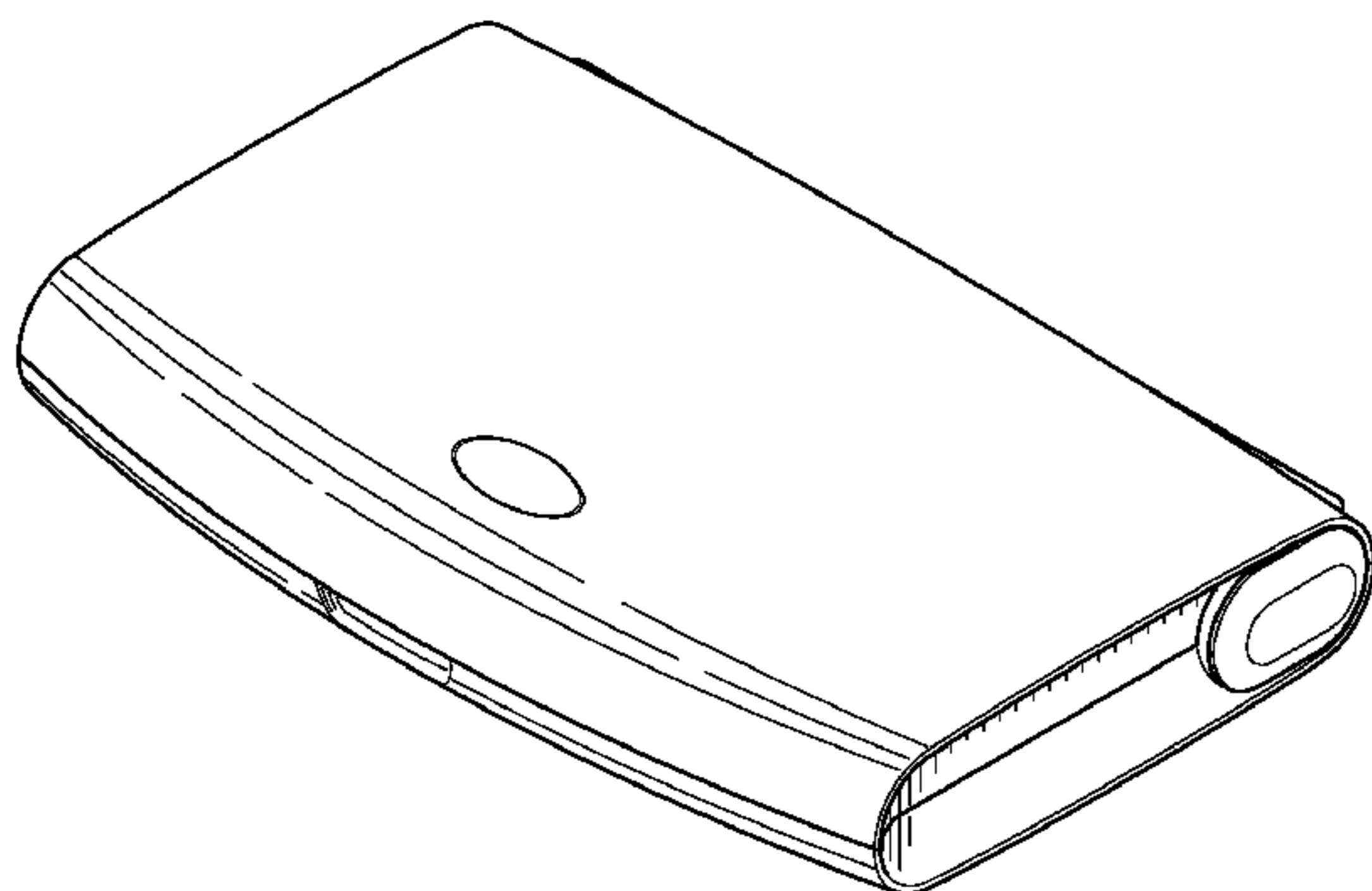
FIG. 16 is a plan view thereof;

FIG. 17 is a bottom view thereof;

FIG. 18 is a front view thereof; and,

FIG. 19 is a rear view thereof.

1 Claim, 10 Drawing Sheets



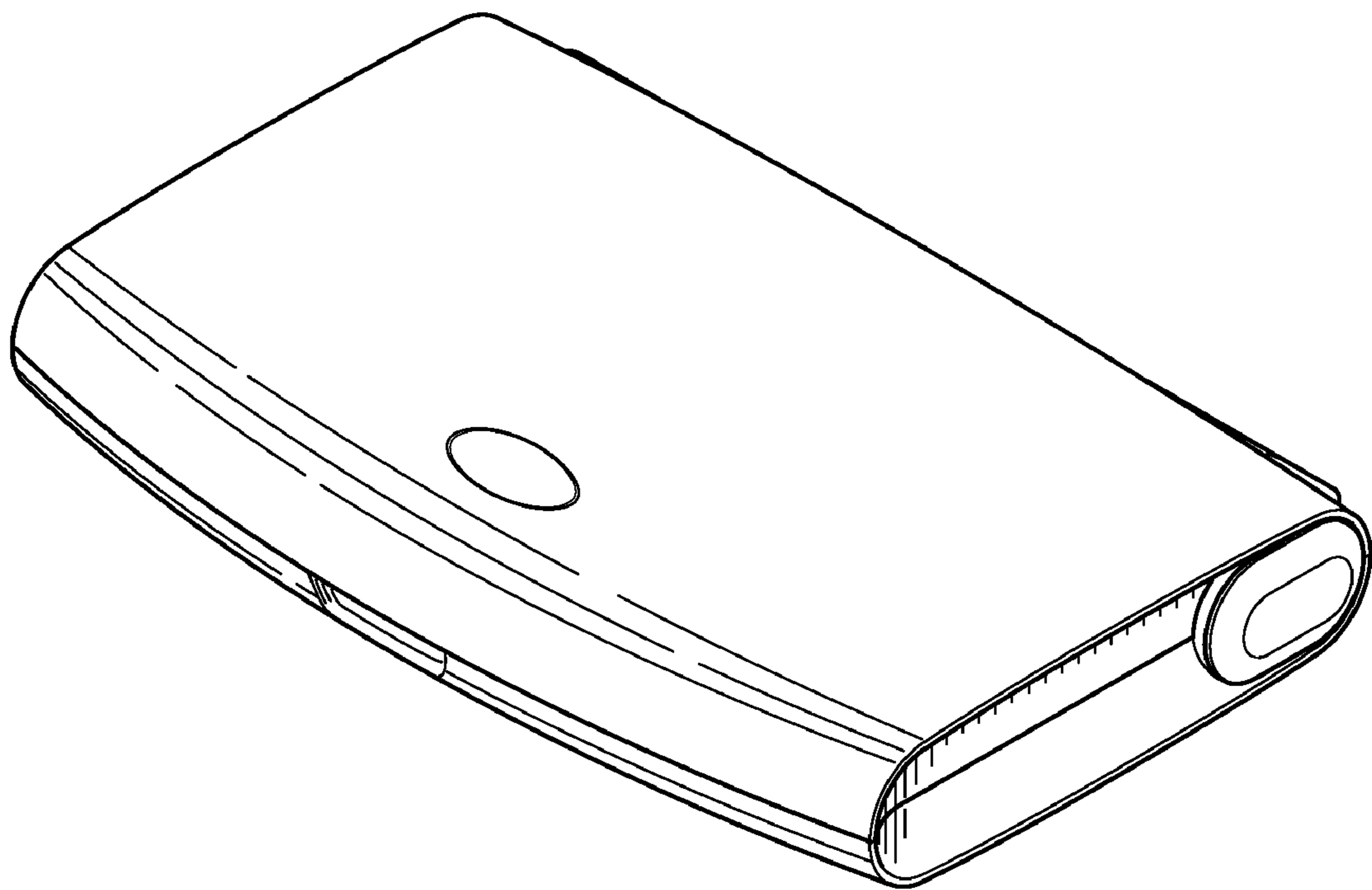


FIG. 1

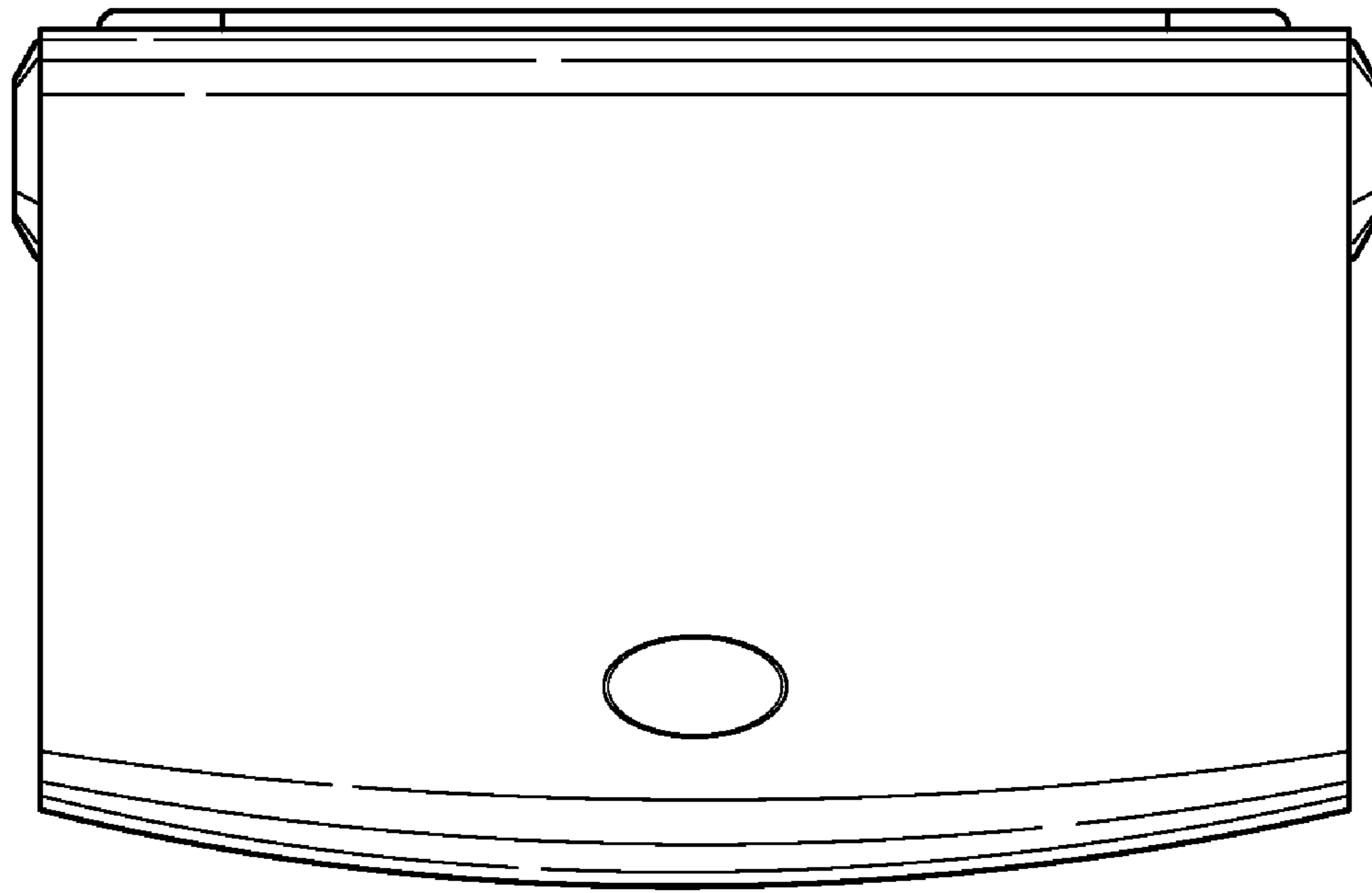


FIG. 2

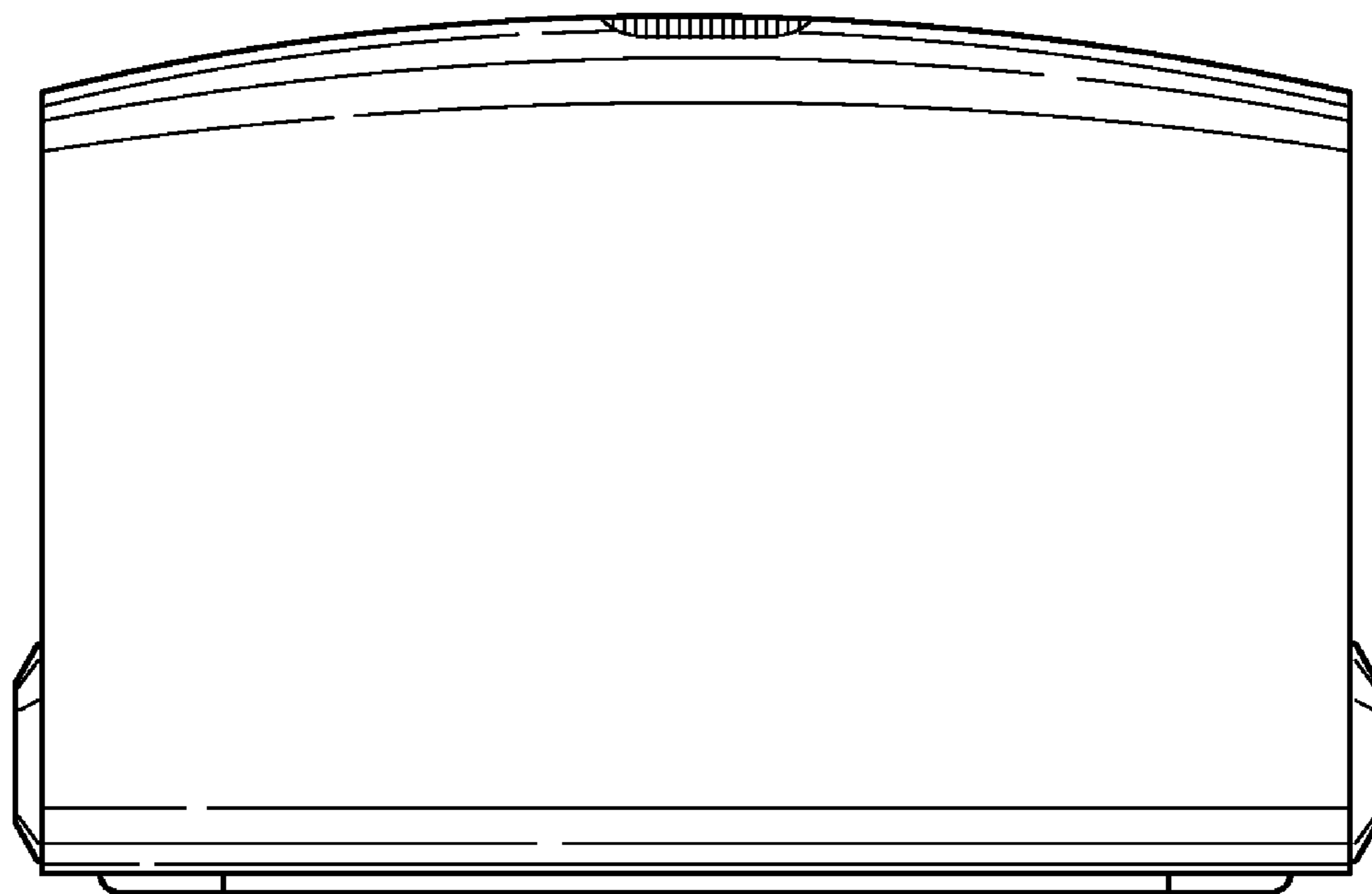


FIG. 3

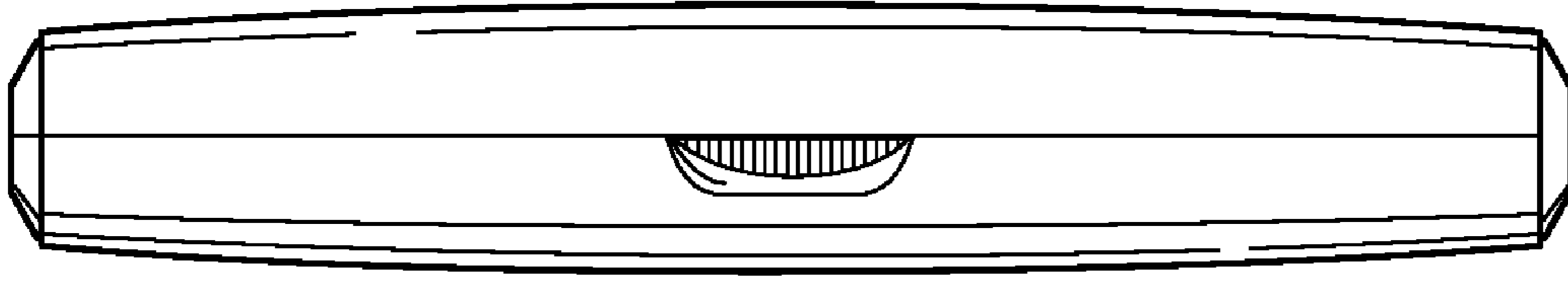


FIG. 4

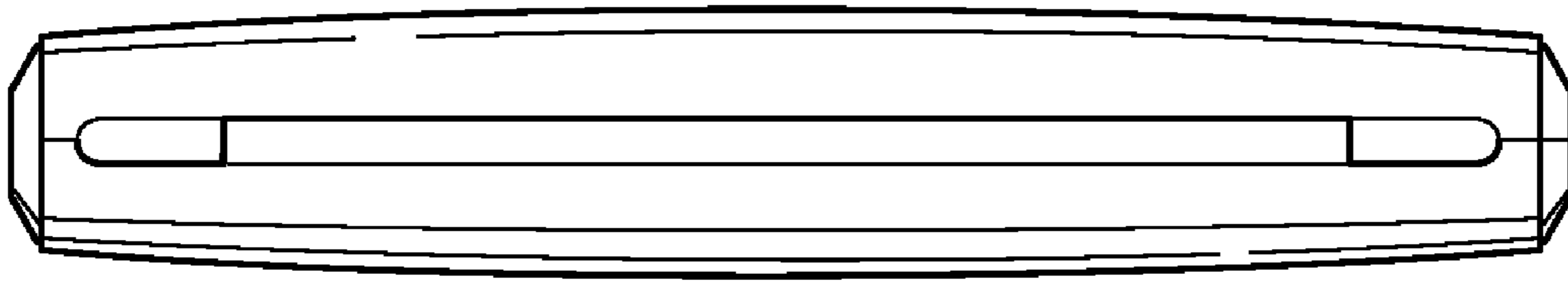


FIG. 5

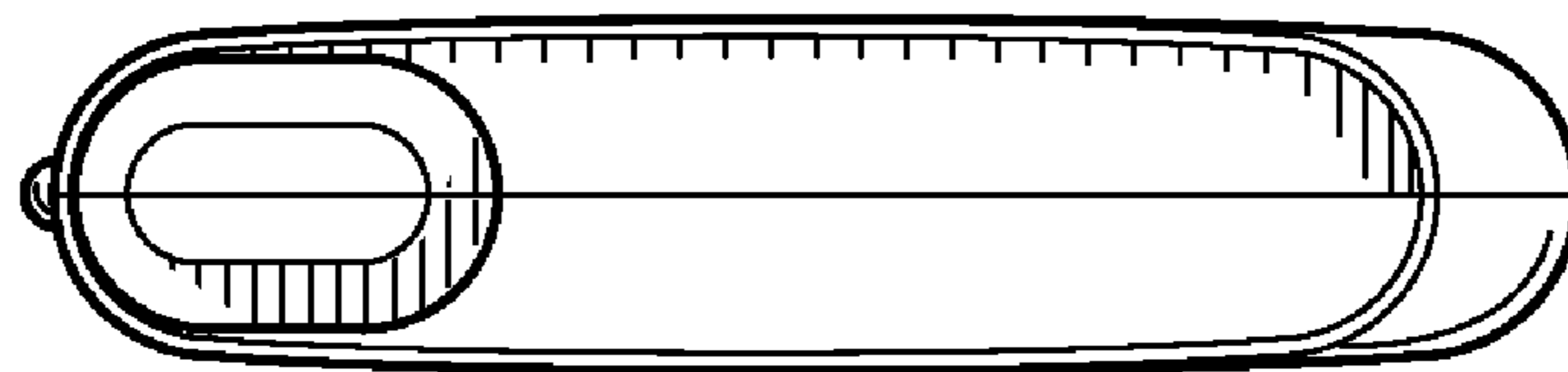


FIG. 6

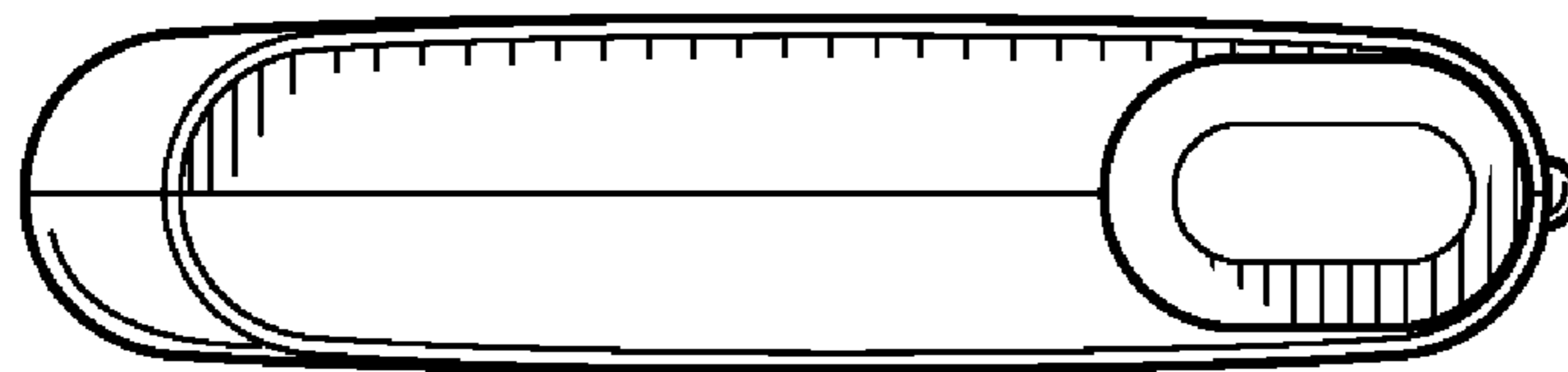


FIG. 7

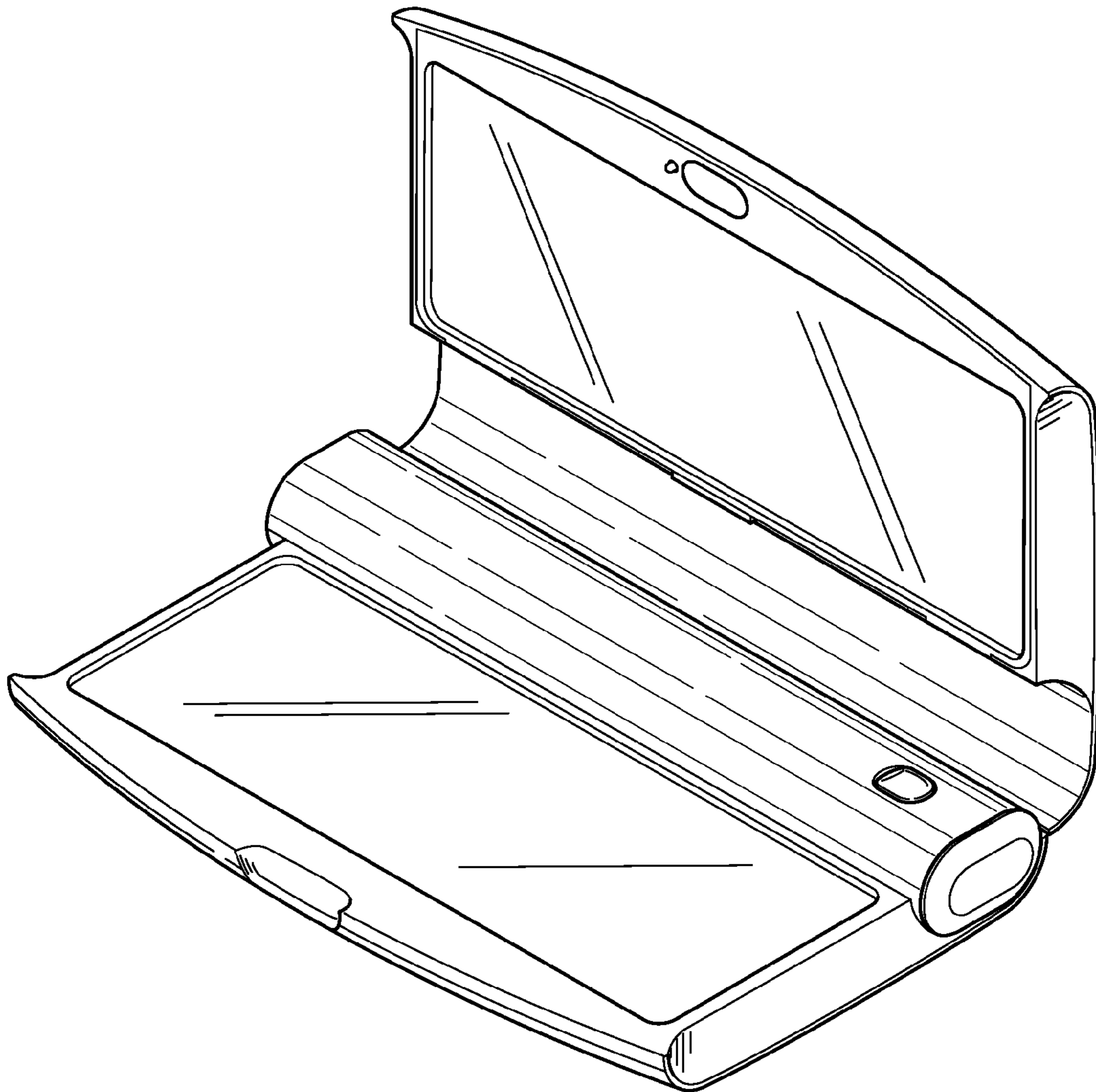


FIG. 8

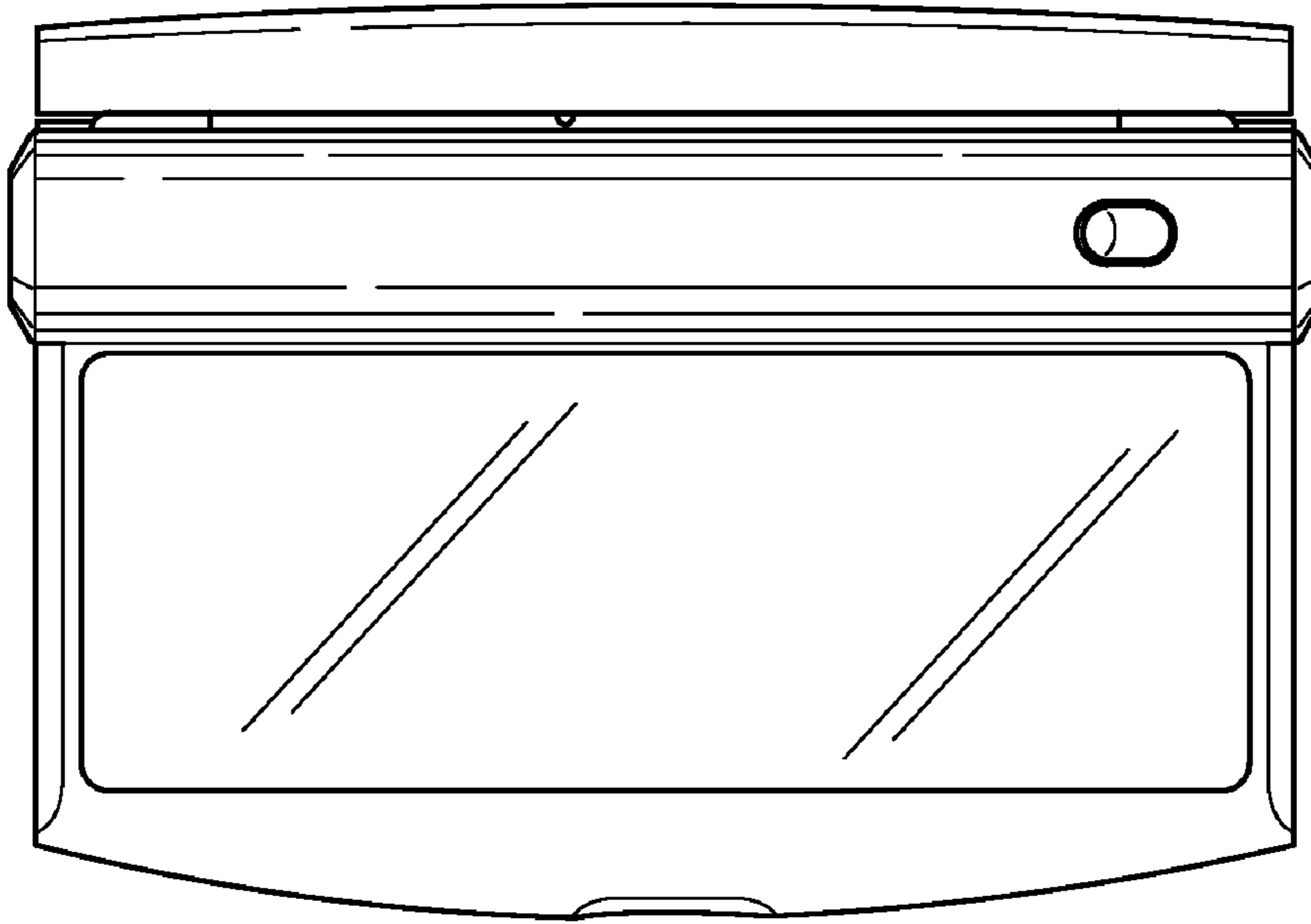


FIG. 9

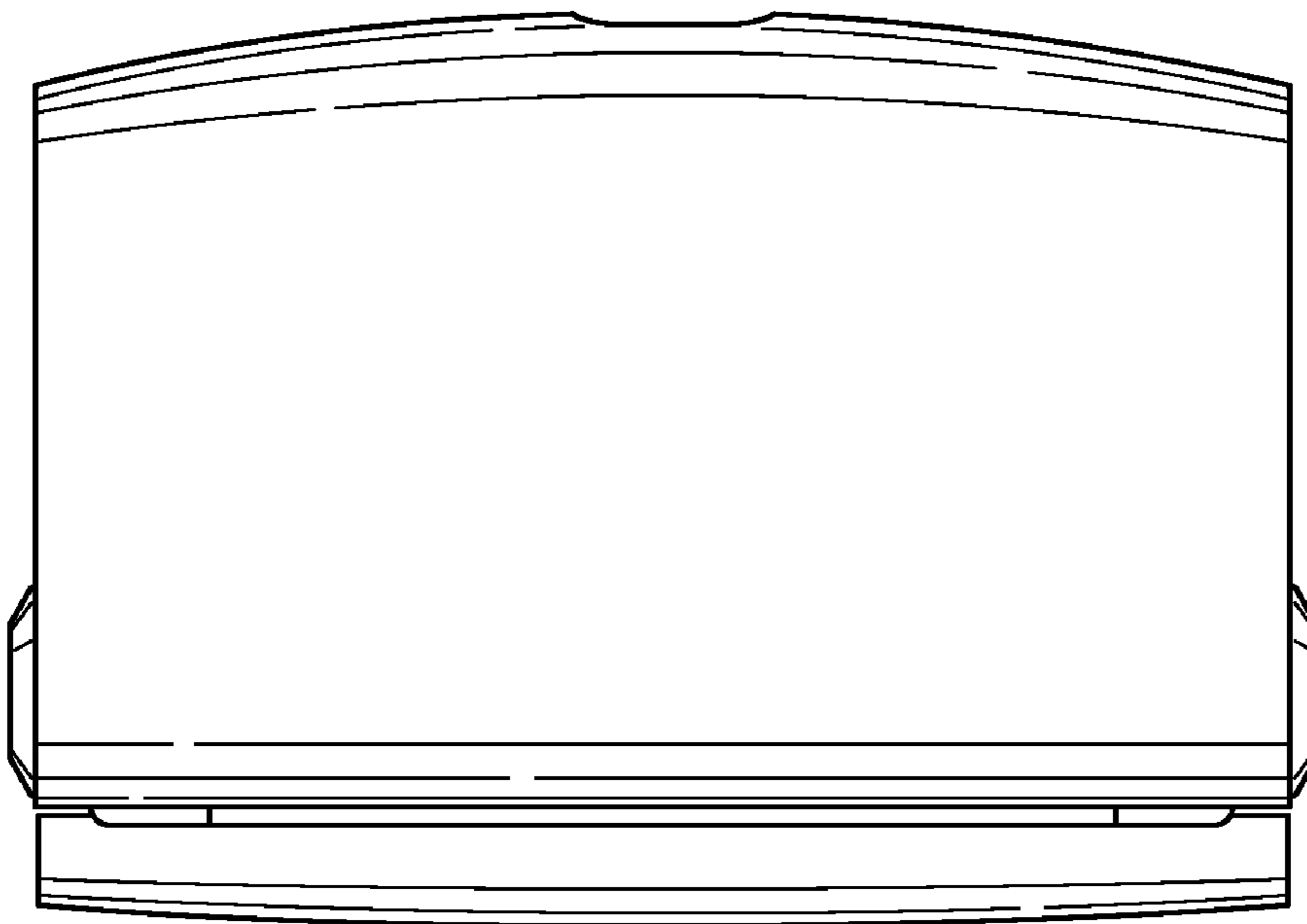


FIG. 10

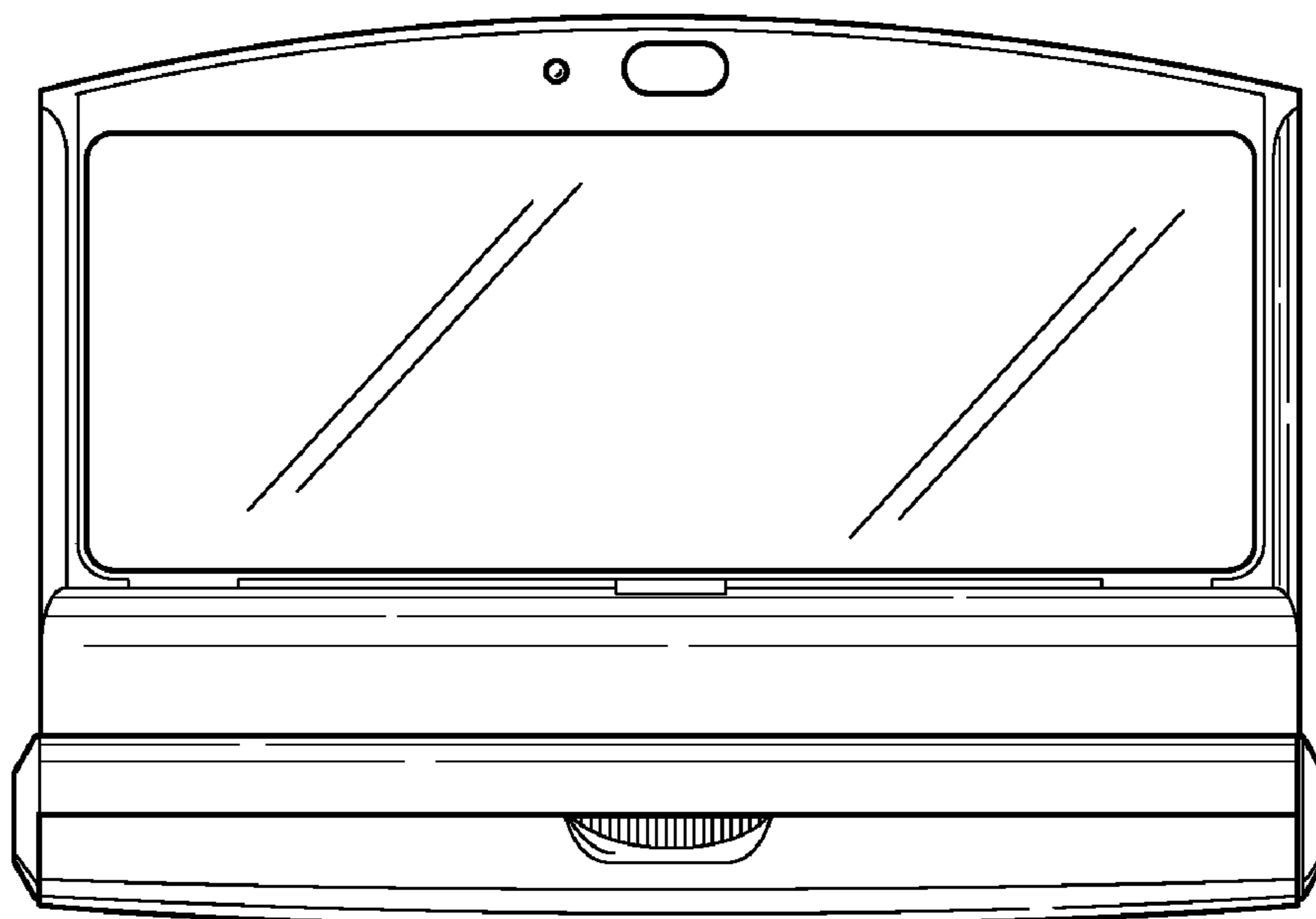


FIG. 11

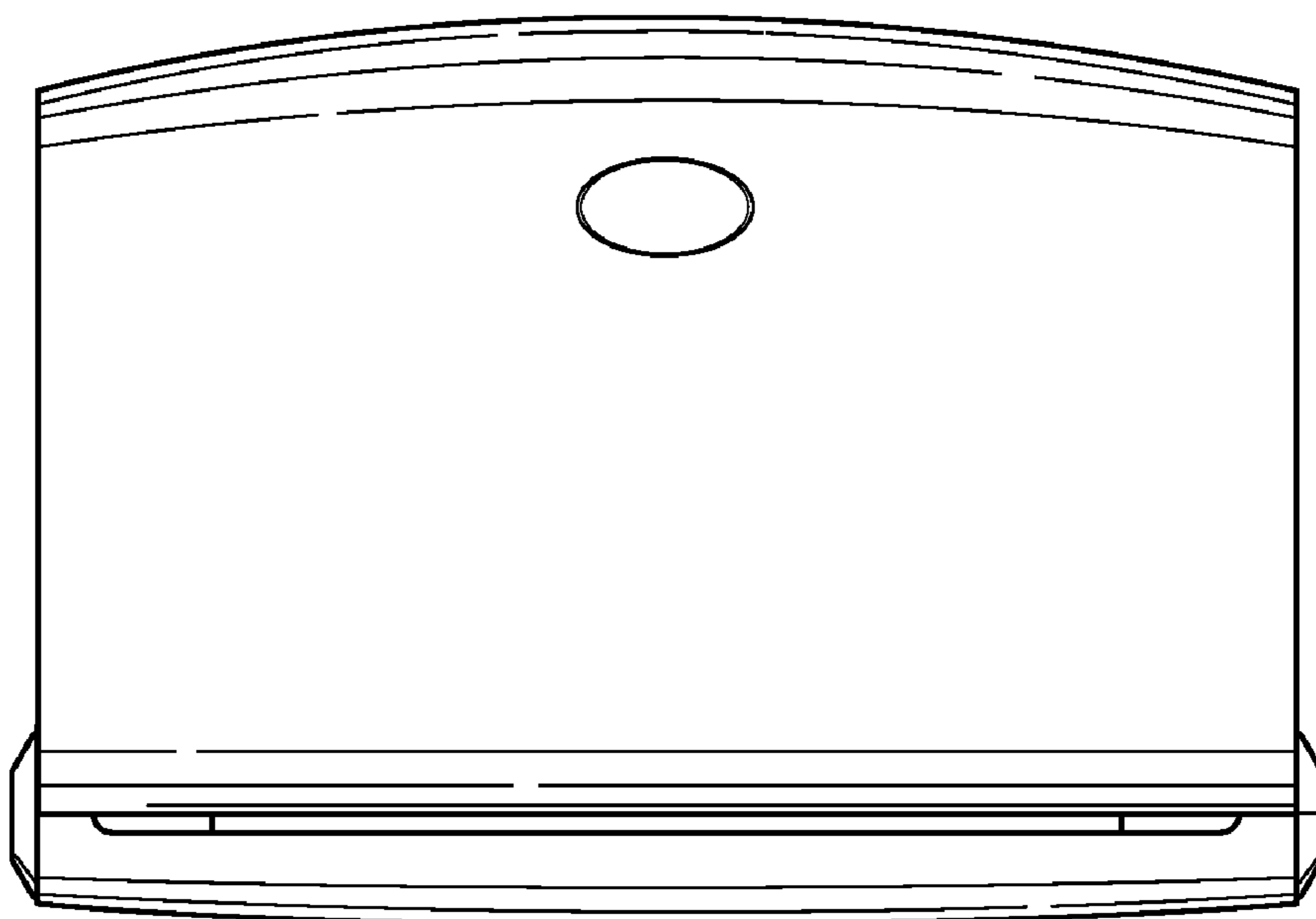


FIG. 12

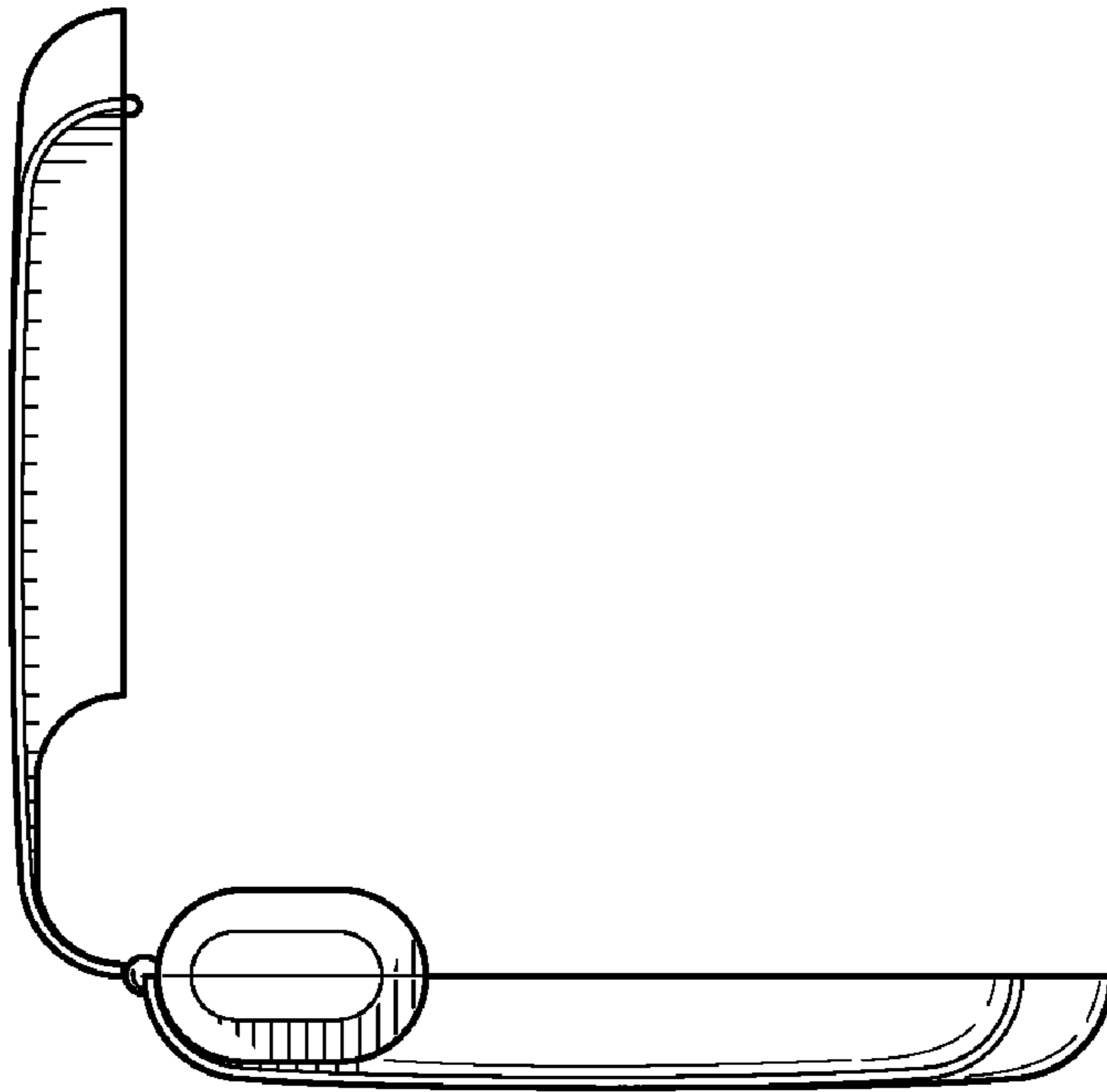


FIG. 13

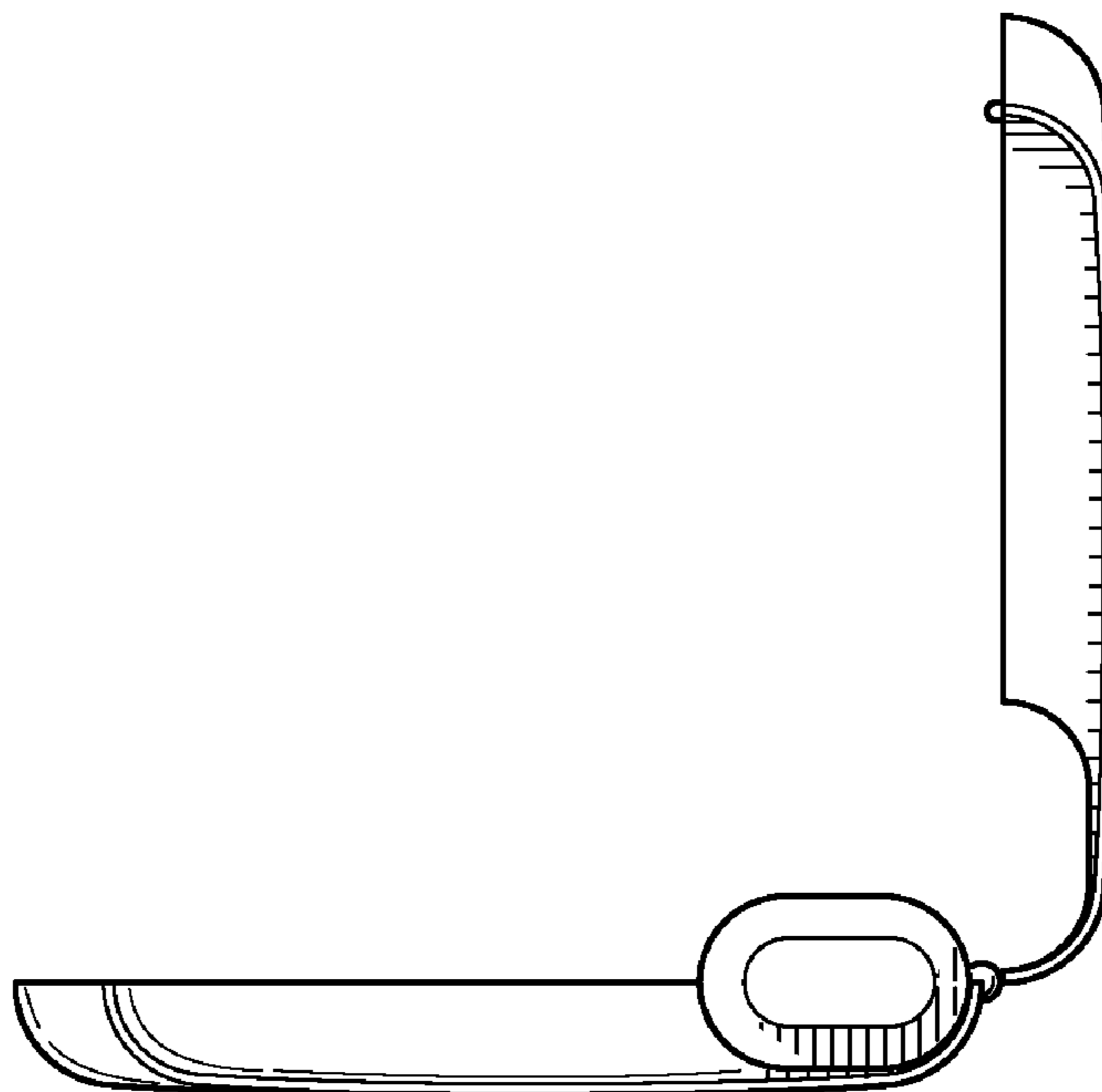


FIG. 14

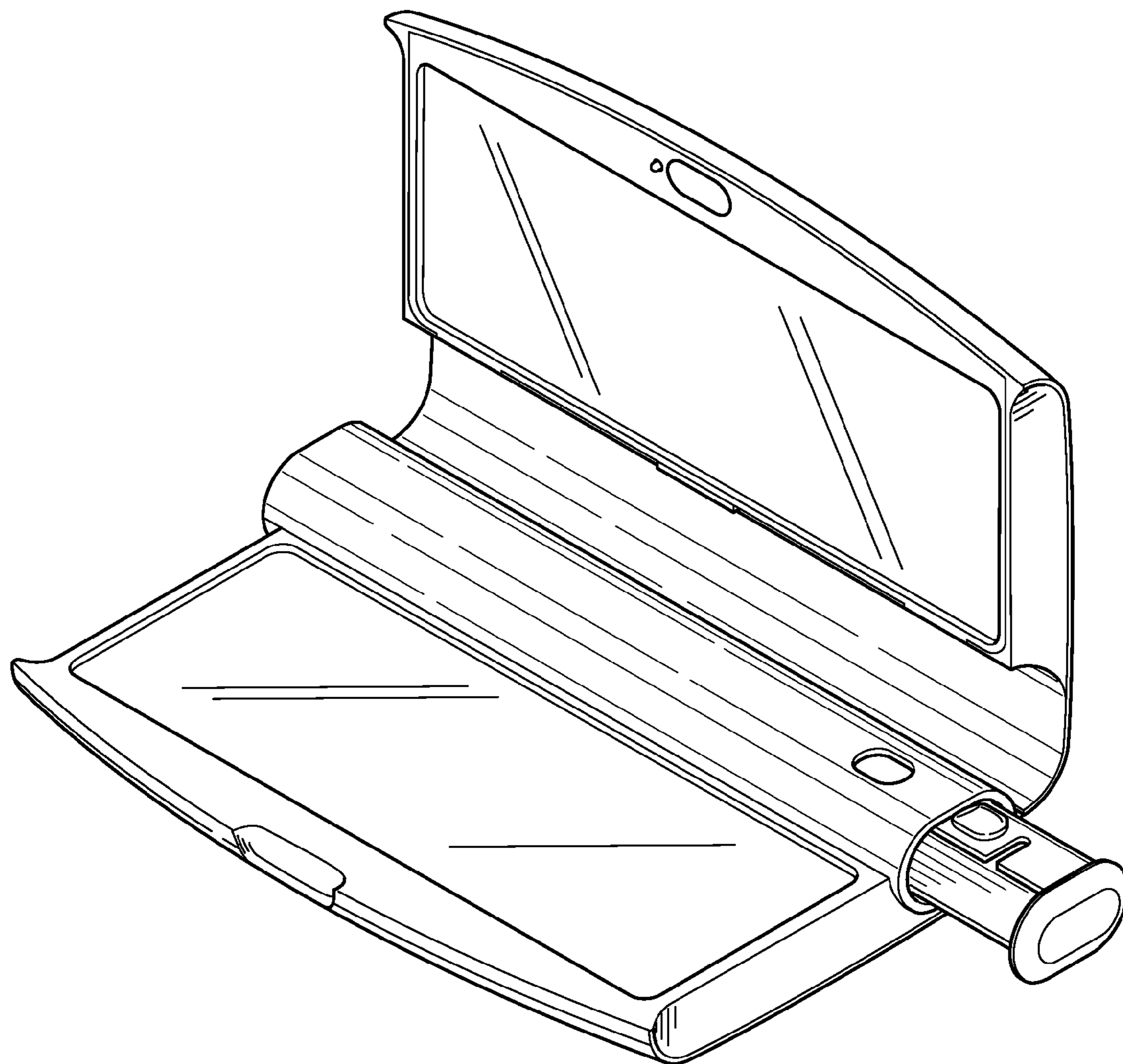


FIG. 15

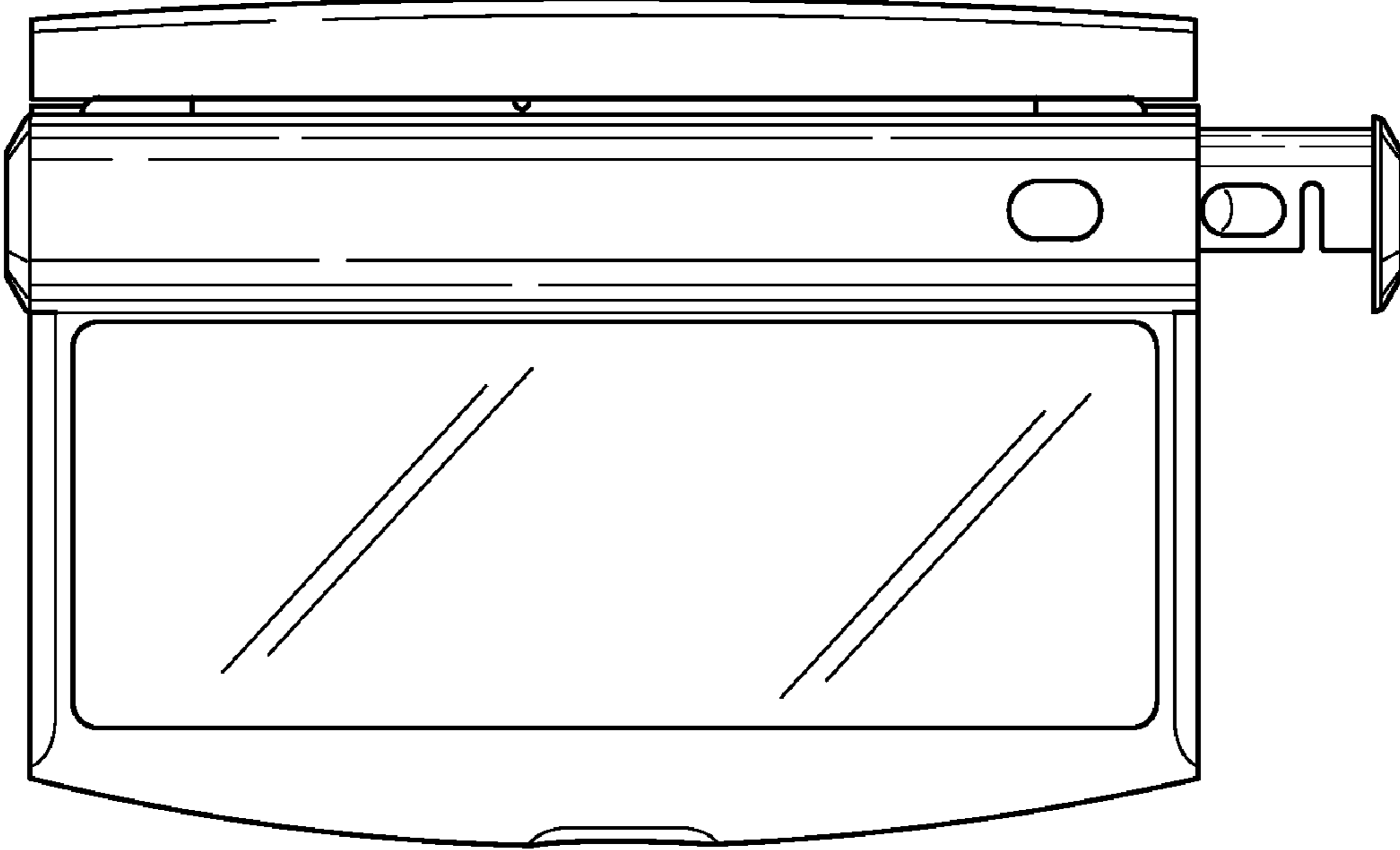


FIG. 16

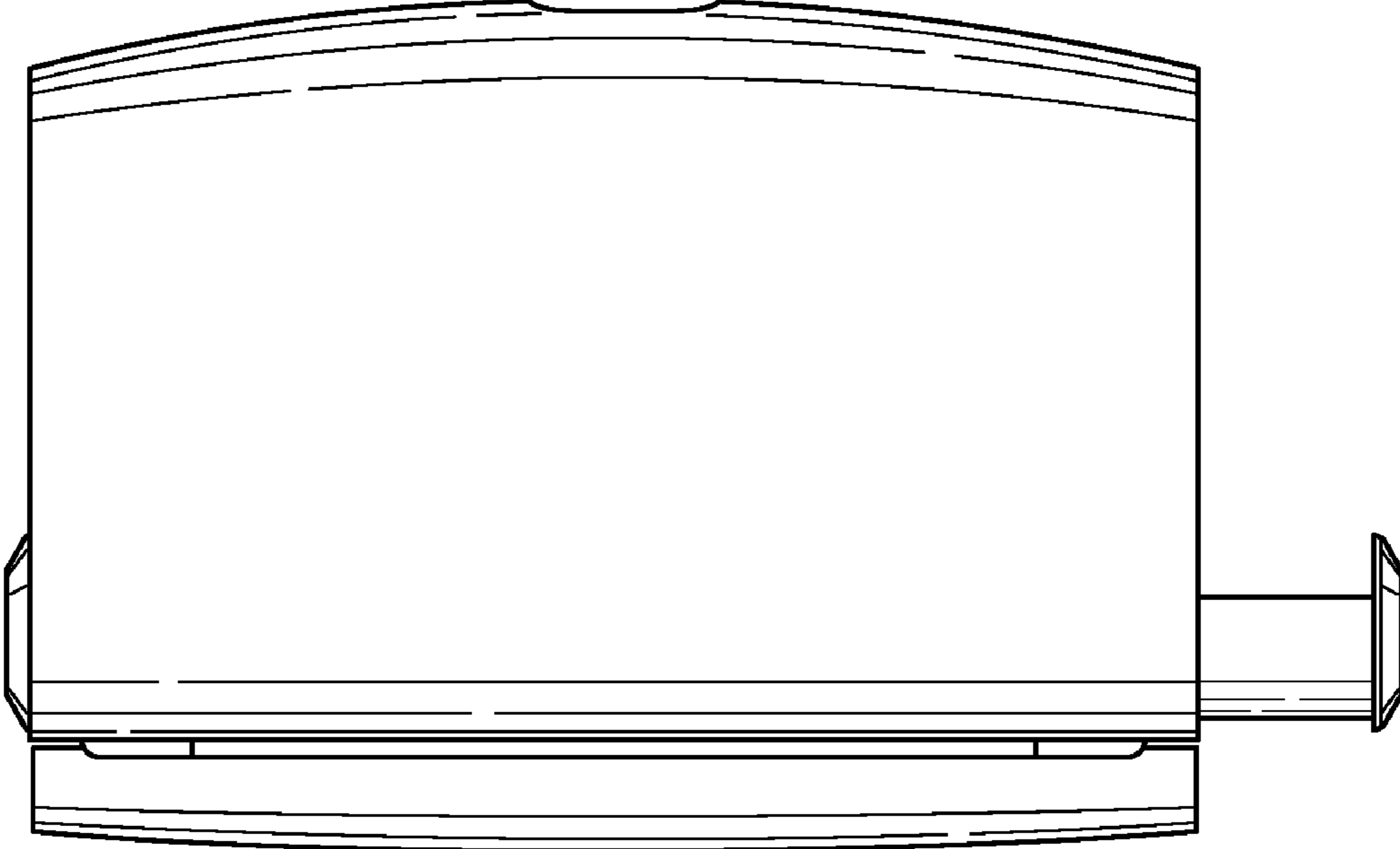


FIG. 17

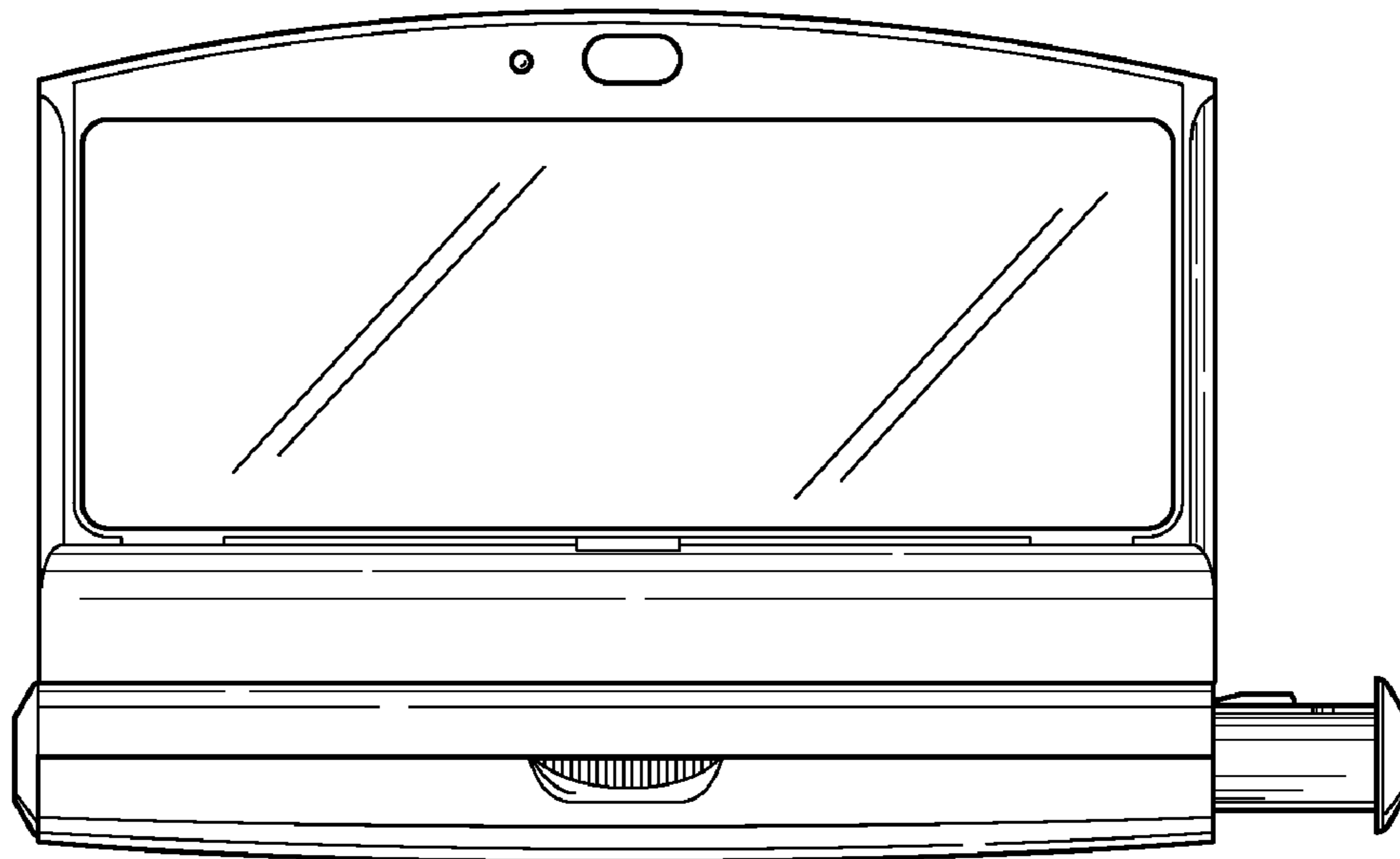


FIG. 18

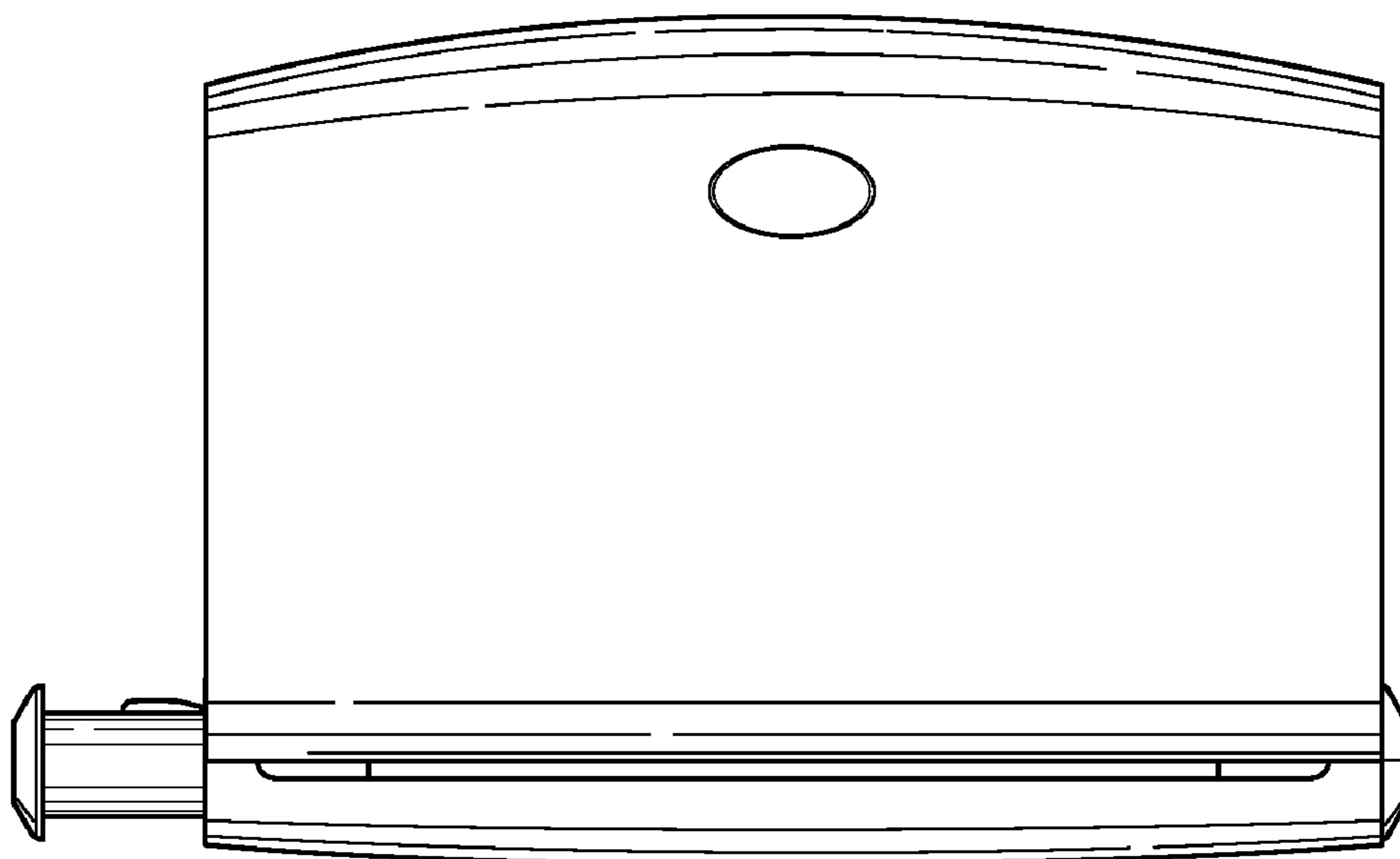


FIG. 19