



(12) **United States Design Patent**  
**Garland et al.**

(10) **Patent No.:** **US D559,463 S**  
(45) **Date of Patent:** **\*\* Jan. 8, 2008**

(54) **NAIL CLIPPERS**

(75) Inventors: **Tylor Garland**, Studio City, CA (US);  
**Patrick Burgess**, Jalisco (MX); **Aldis Rauda**, West Hollywood, CA (US);  
**Stan Chudzik**, Alpharetta, GA (US)

(73) Assignee: **Goody Products, Inc.**, Freeport, IL (US)

(\*\*) Term: **14 Years**

(21) Appl. No.: **29/275,608**

(22) Filed: **Dec. 30, 2006**

(51) **LOC (8) Cl.** ..... **28-03**

(52) **U.S. Cl.** ..... **D28/60**

(58) **Field of Classification Search** ..... D28/56,  
D28/57, 59, 60; 132/73, 73.5, 75, 75.3, 75.4,  
132/75.5, 75.6, 76.2; 30/26-29, 186  
See application file for complete search history.

(56) **References Cited**

U.S. PATENT DOCUMENTS

D172,093 S \* 5/1954 Huber ..... D28/60  
4,819,673 A \* 4/1989 McMullen, Jr. .... 132/75.5  
D522,177 S \* 5/2006 Legras de Grandcourt .. D28/60

\* cited by examiner

*Primary Examiner*—Jennifer Rivard

(74) *Attorney, Agent, or Firm*—Marshall, Gerstein & Borun LLP

(57) **CLAIM**

The ornamental design for “nail clippers,” as shown and described.

**DESCRIPTION**

FIG. 1 is a perspective view from the top and left of the first embodiment of the nail clippers having our new design;

FIG. 2 is a left side elevational view thereof;

FIG. 3 is a right side elevational view thereof;

FIG. 4 is a top plan view thereof;

FIG. 5 is a bottom view thereof;

FIG. 6 is a front view thereof;

FIG. 7 is a rear view thereof;

FIG. 8 is a perspective view from the top and left of the nail clippers of FIG. 1 with the arm retracted;

FIG. 9 is a left side elevational view thereof;

FIG. 10 is a right side elevational view thereof;

FIG. 11 is a top plan view thereof;

FIG. 12 is a bottom view thereof;

FIG. 13 is a front view thereof;

FIG. 14 is a rear view thereof;

FIG. 15 is a perspective view from the top and left of the nail clippers of FIG. 1 with the arm and the nail file deployed;

FIG. 16 is a left side elevational view thereof;

FIG. 17 is a right side elevational view thereof;

FIG. 18 is a plan view thereof;

FIG. 19 is a bottom view thereof;

FIG. 20 is a front view thereof;

FIG. 21 is a rear view thereof;

FIG. 22 is a perspective view from the top and left of the second embodiment of the nail clippers having our new design;

FIG. 23 is a left side elevational view thereof;

FIG. 24 is a right side elevational view thereof;

FIG. 25 is a top plan view thereof;

FIG. 26 is a bottom view thereof;

FIG. 27 is a front view thereof;

FIG. 28 is a rear view thereof;

FIG. 29 is a perspective view from the top and left of the nail clippers of FIG. 22 with the arm retracted;

FIG. 30 is a left side elevational view thereof;

FIG. 31 is a right side elevational view thereof;

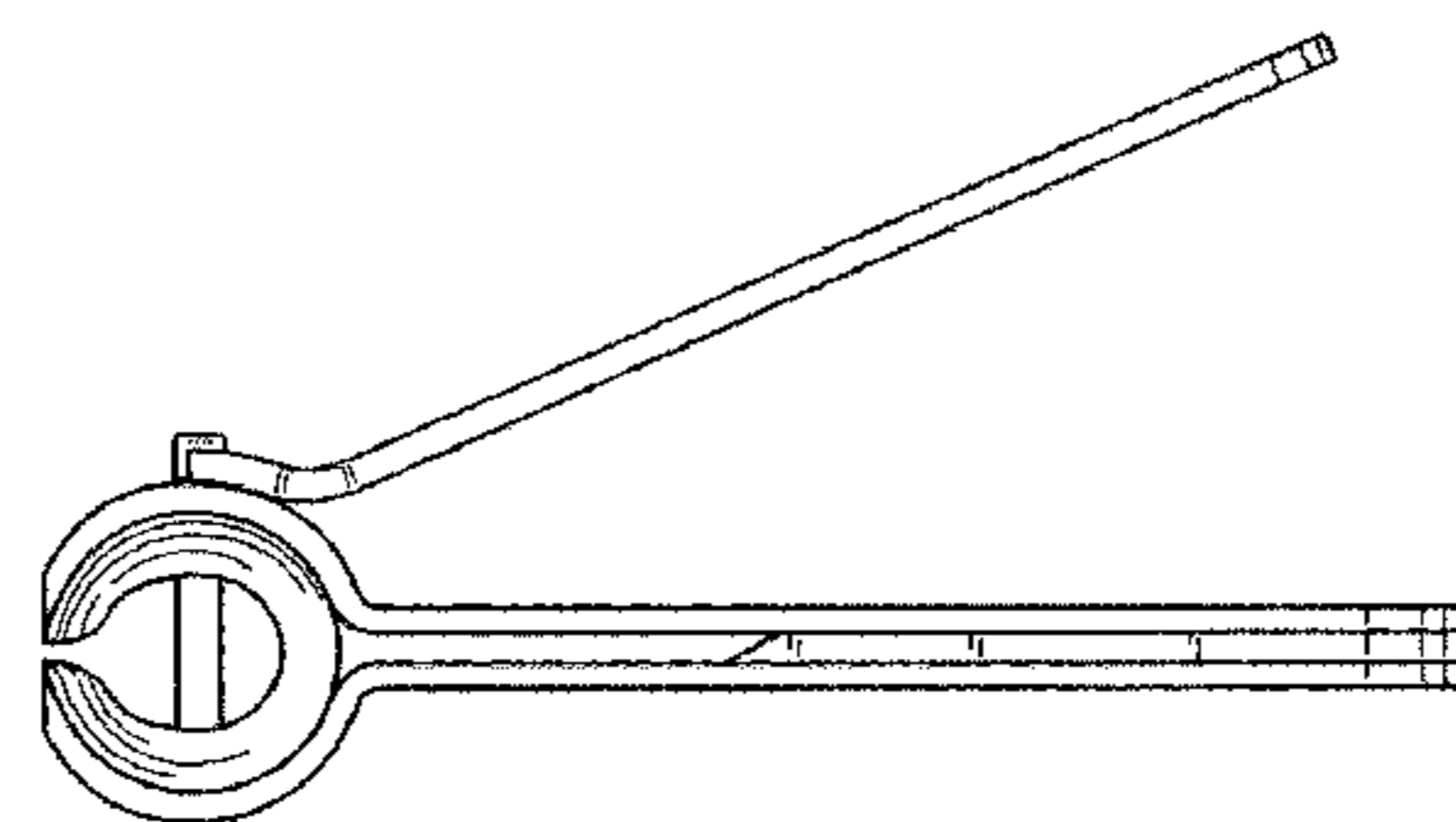
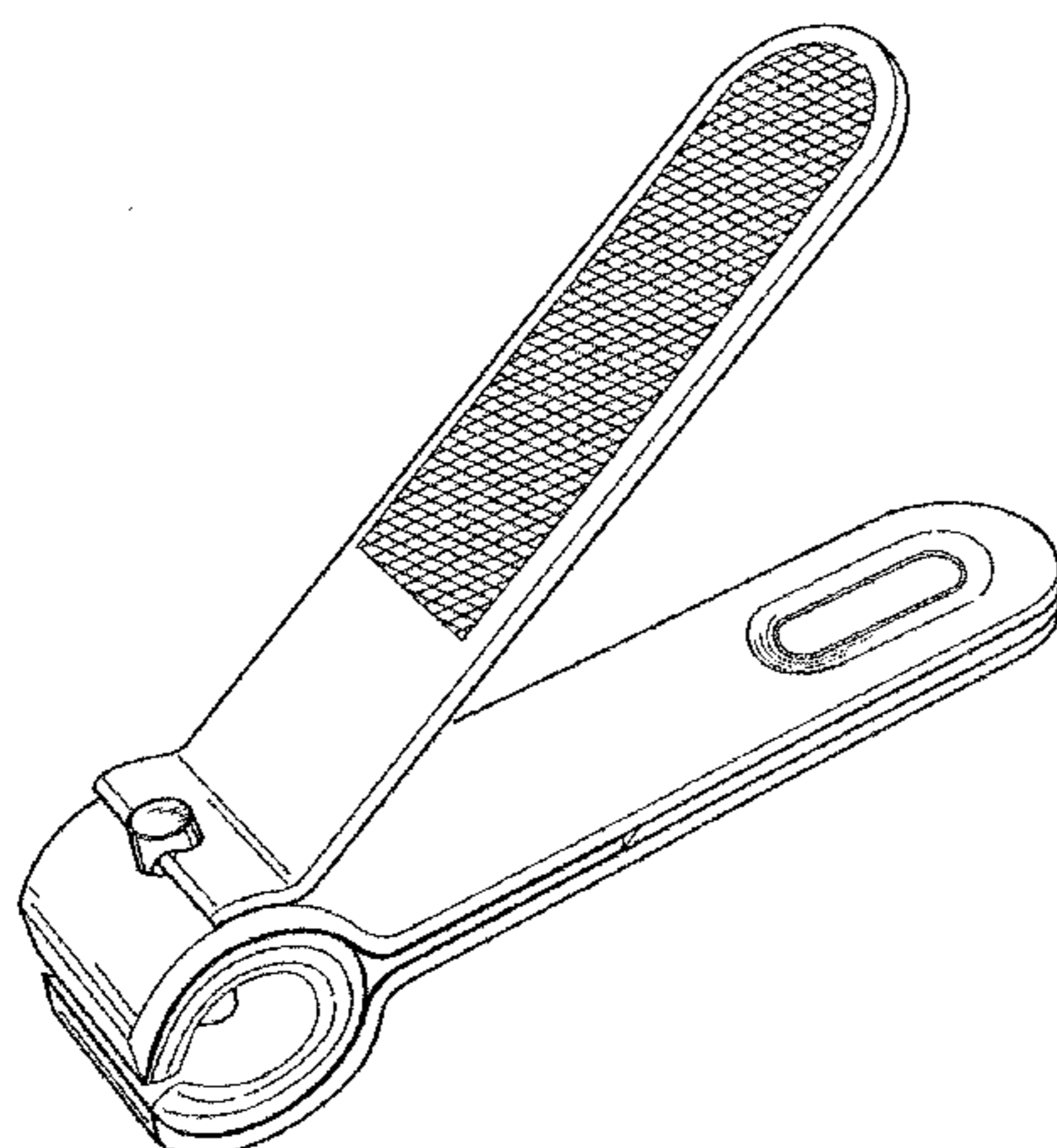


FIG. **32** is a top plan view thereof;

FIG. **33** is a bottom view thereof;

FIG. **34** is a front view thereof;

FIG. **35** is a rear view thereof;

FIG. **36** is a perspective view from the top and left of the nail clippers of FIG. **22** with the arm and the nail file deployed;

FIG. **37** is a left side elevational view thereof;

FIG. **38** is a right side elevational view thereof;

FIG. **39** is a plan view thereof;

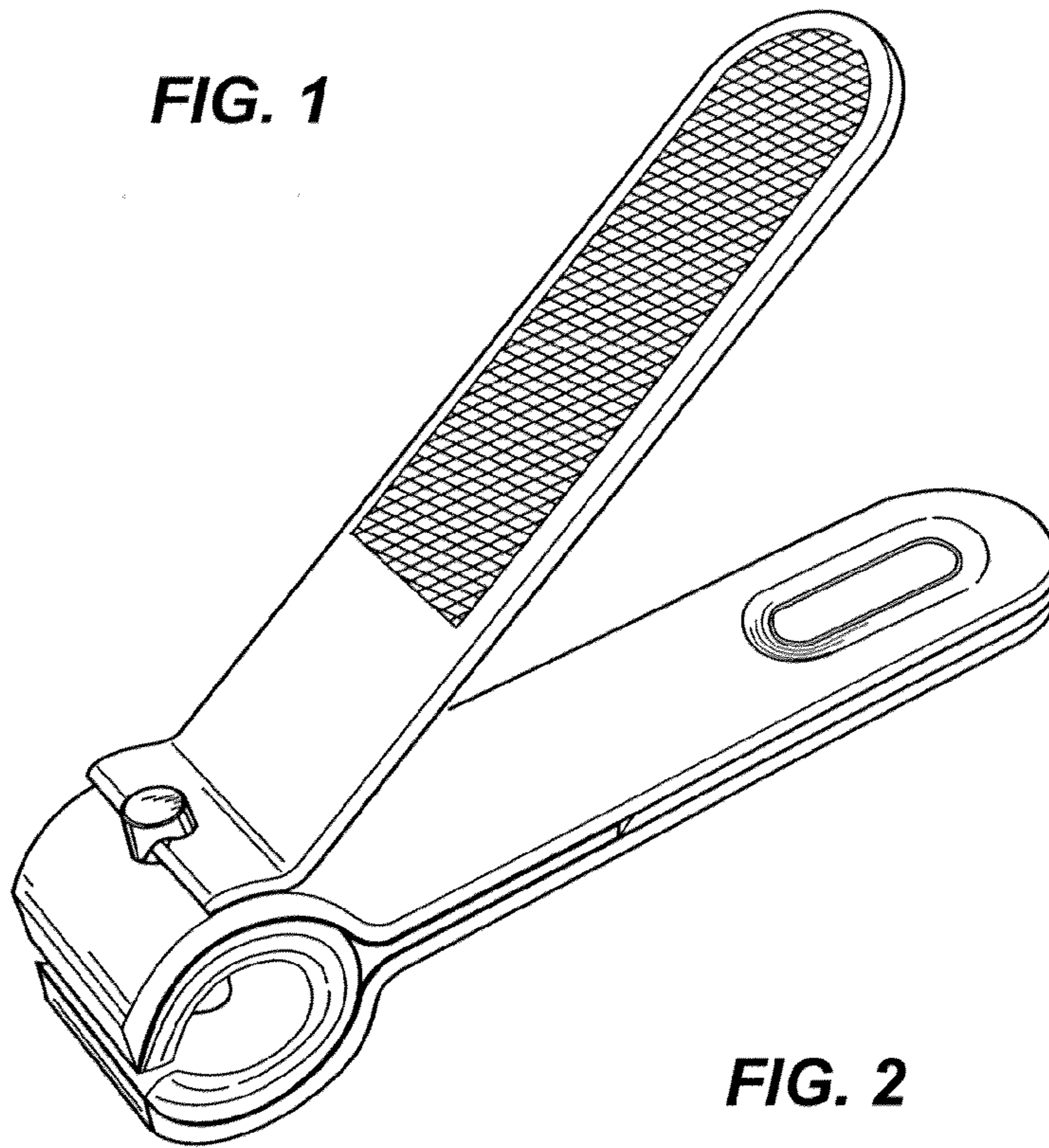
FIG. **40** is a bottom view thereof;

FIG. **41** is a front view thereof; and,

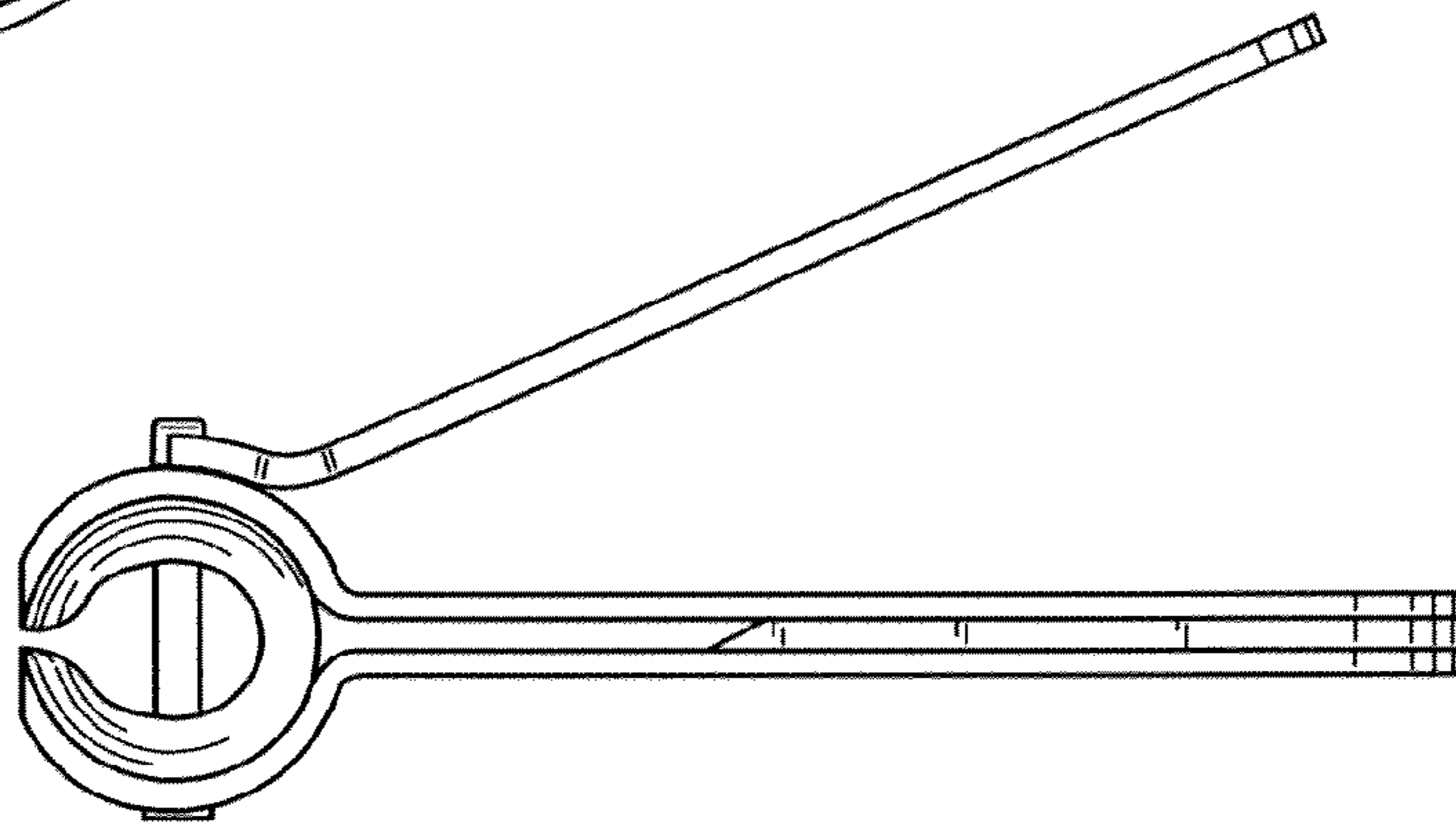
FIG. **42** is a rear view thereof.

**1 Claim, 12 Drawing Sheets**

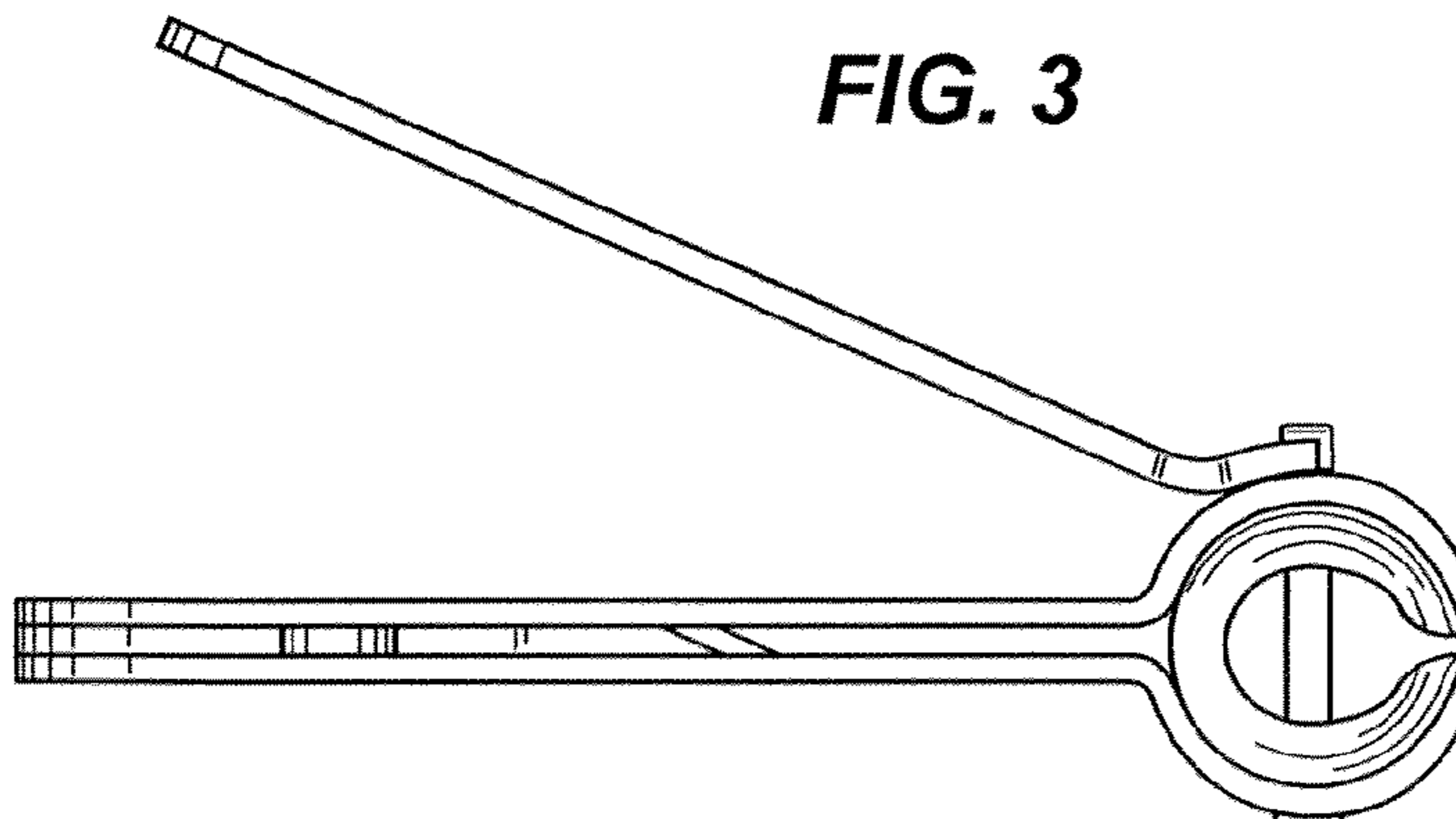
**FIG. 1**



**FIG. 2**

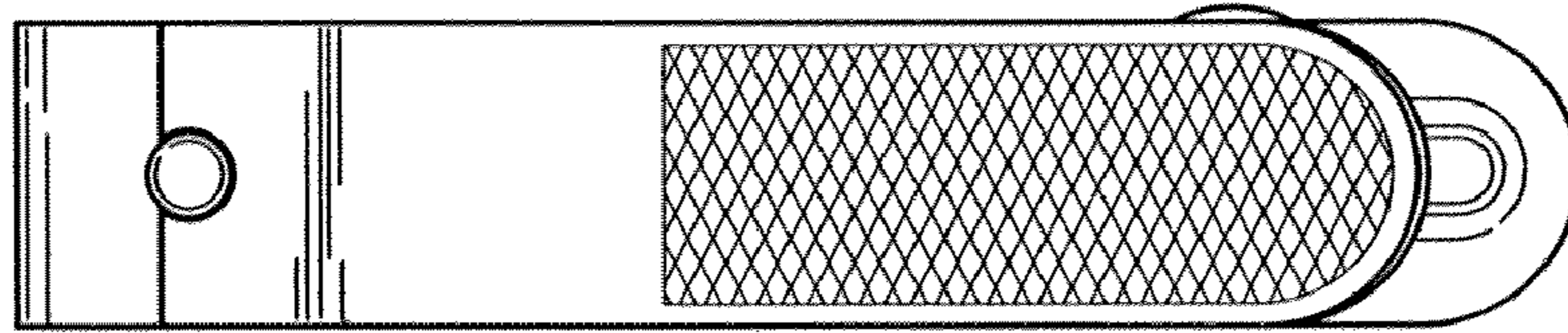


**FIG. 3**

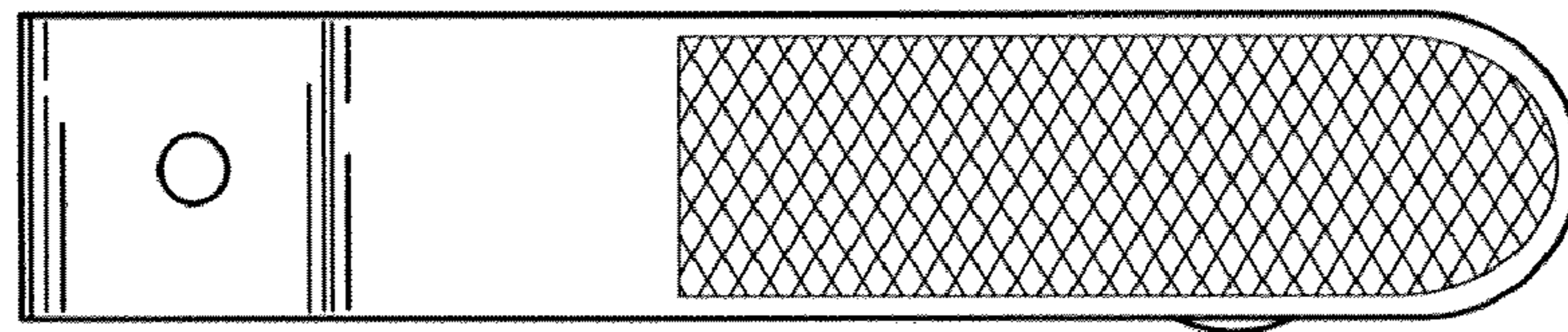




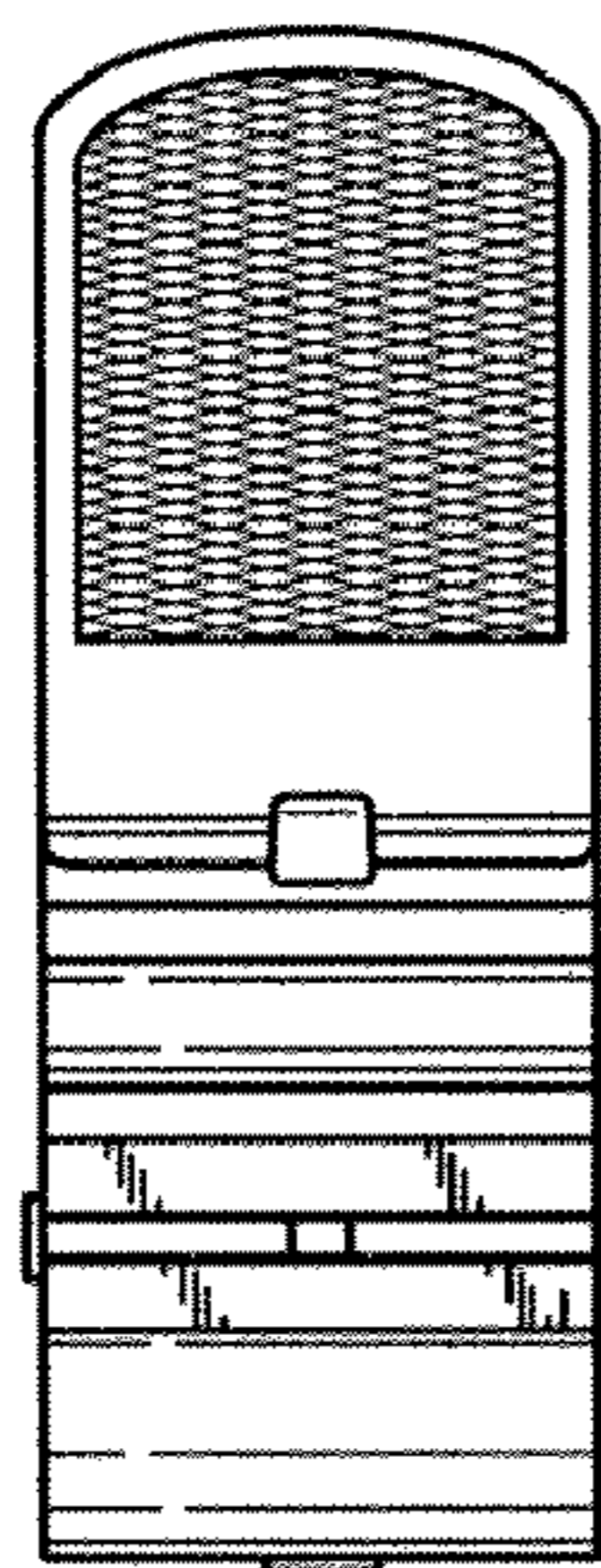
**FIG. 4**



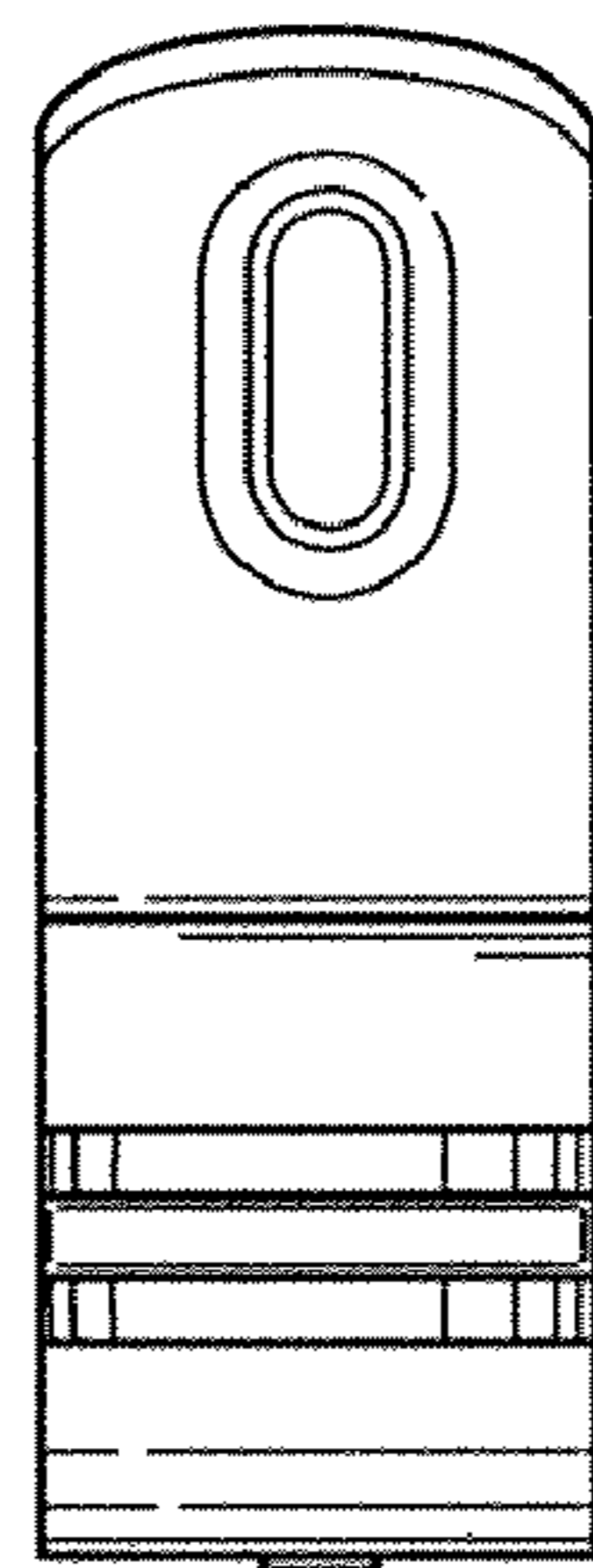
**FIG. 5**



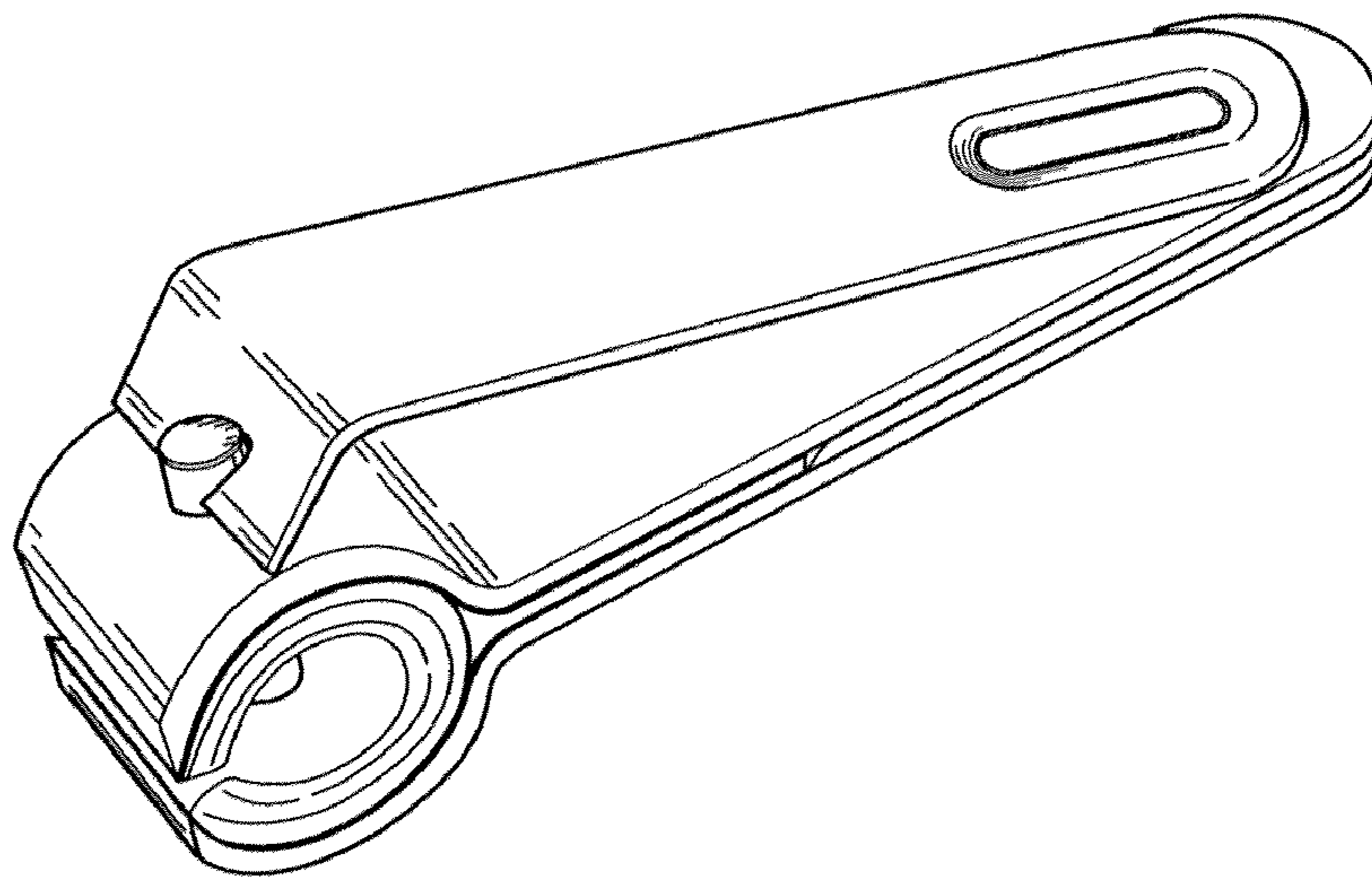
**FIG. 6**



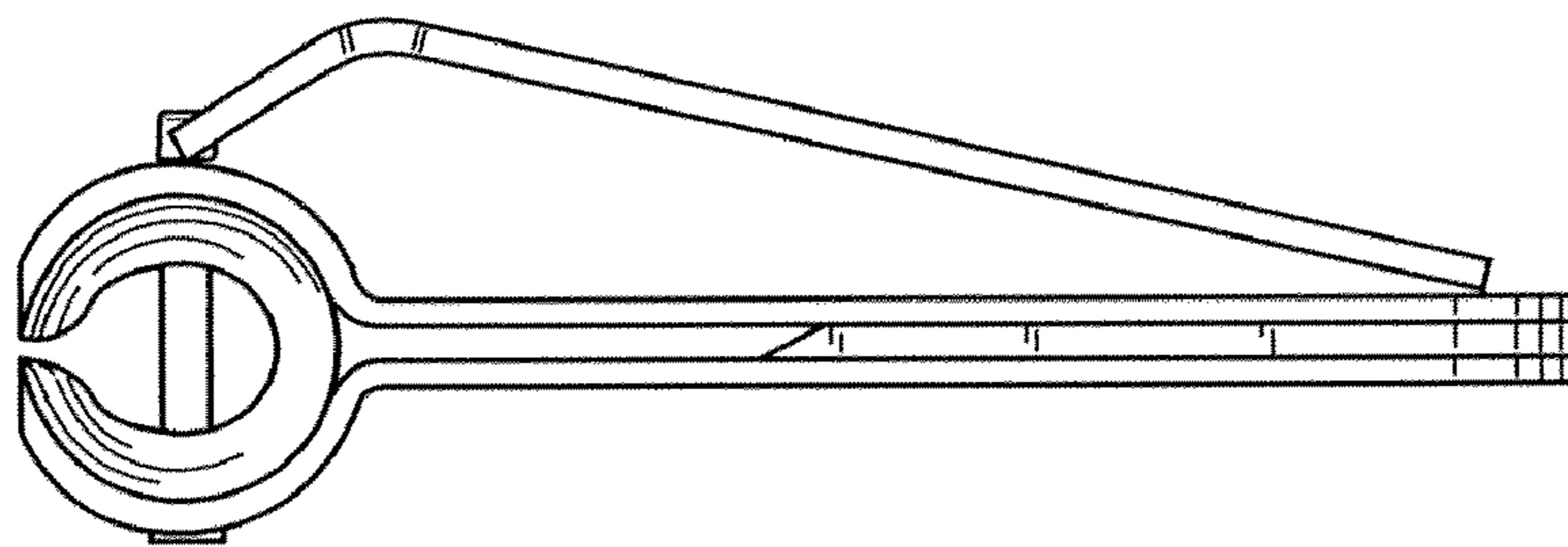
**FIG. 7**



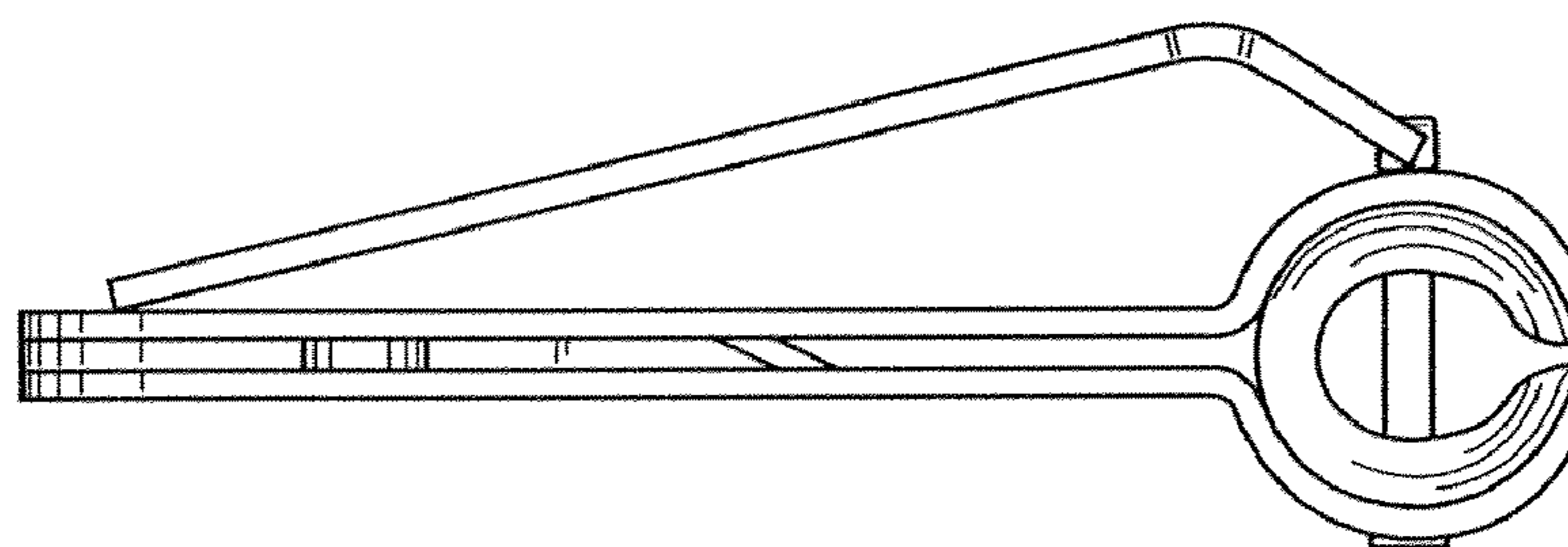
**FIG. 8**



**FIG. 9**



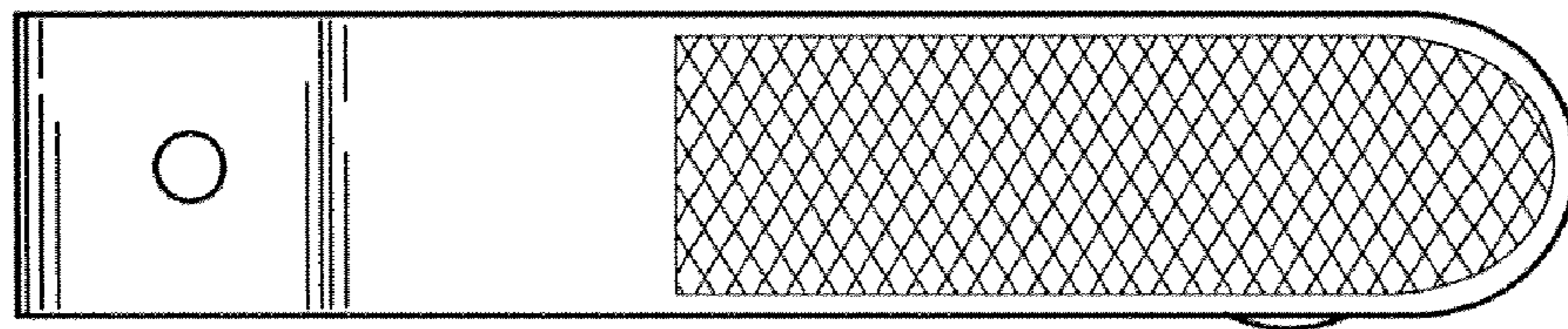
**FIG. 10**



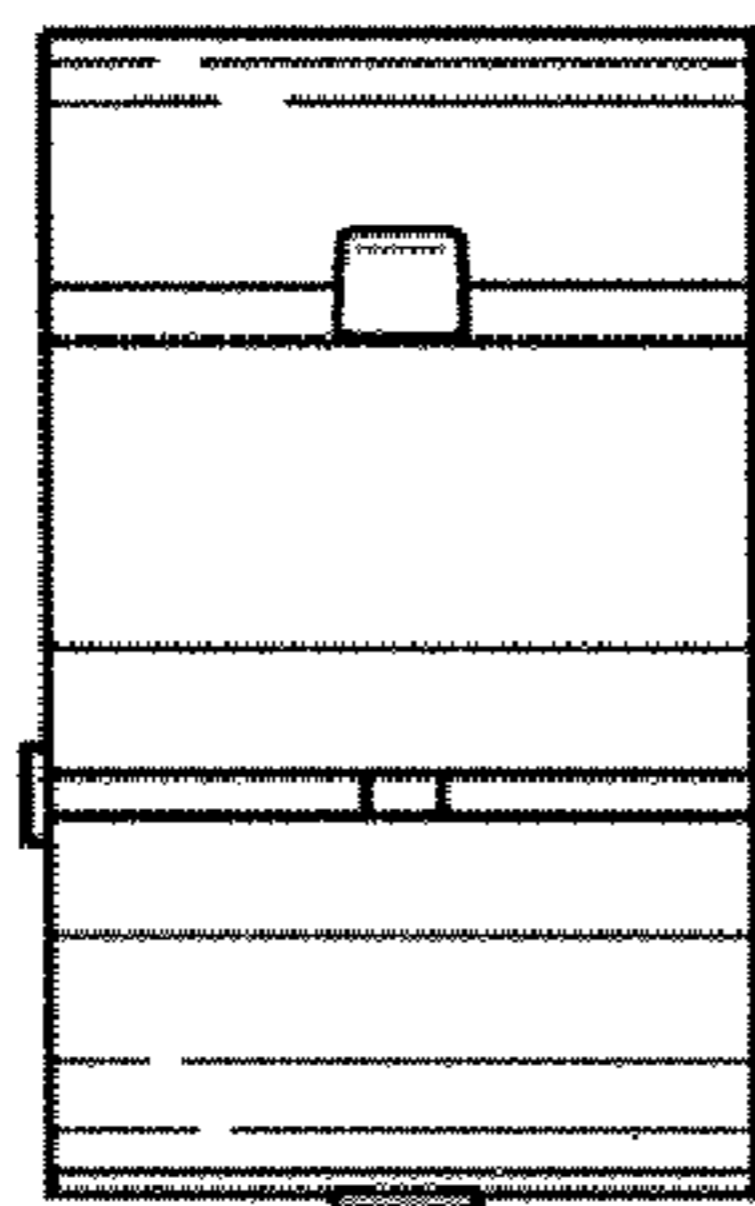
**FIG. 11**



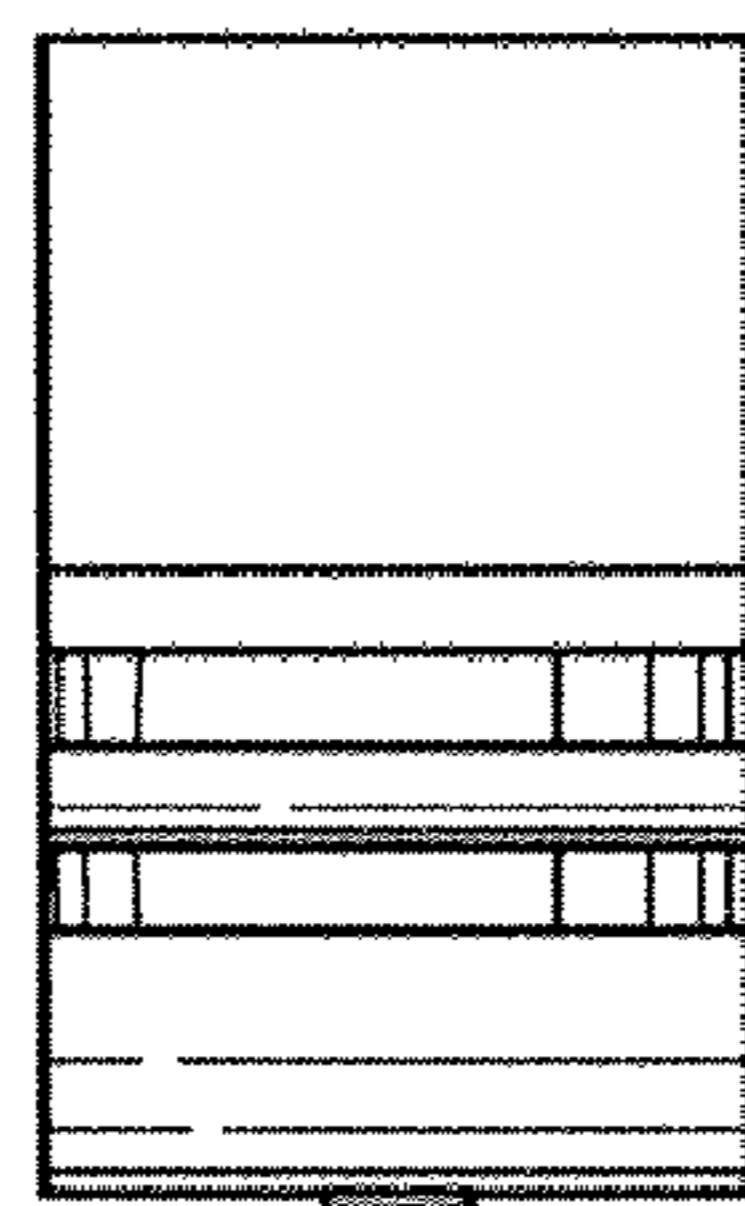
**FIG. 12**



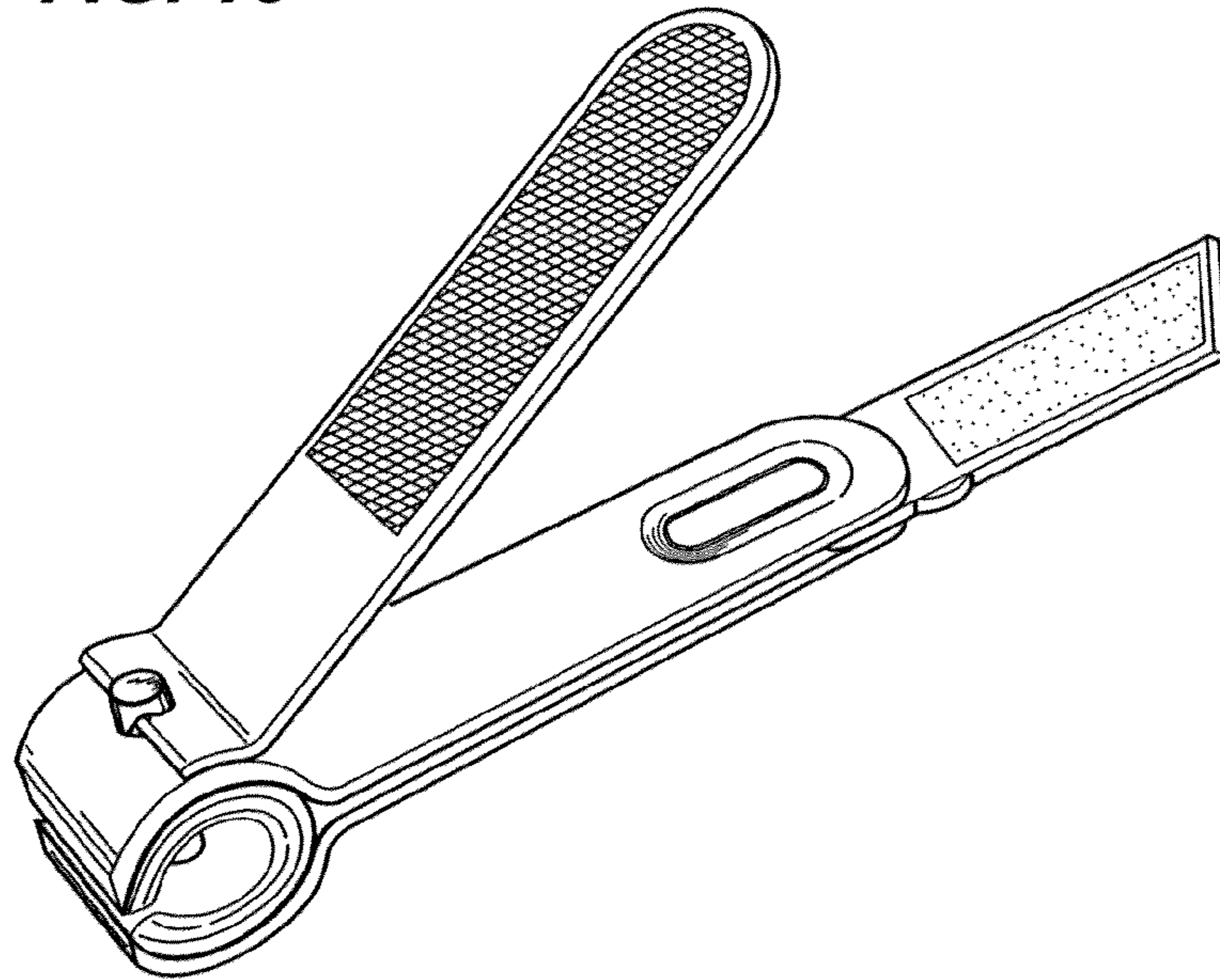
**FIG. 13**



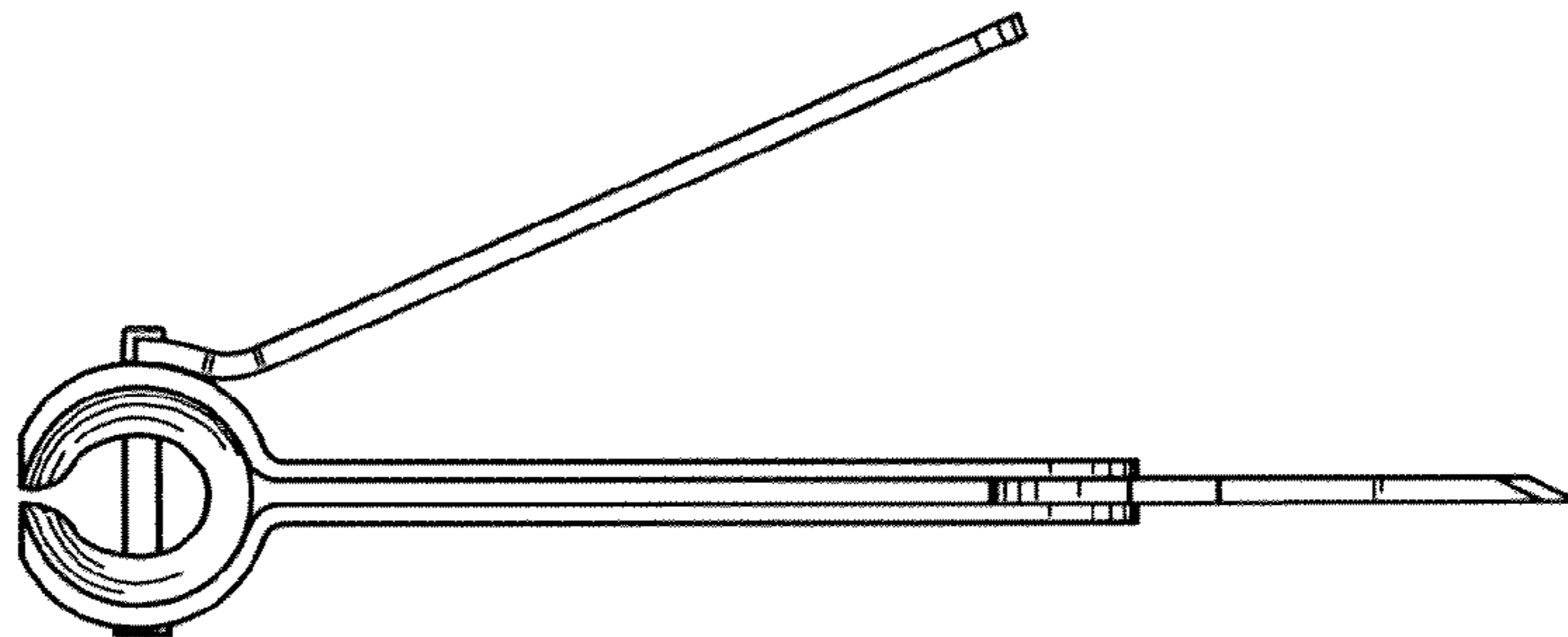
**FIG. 14**



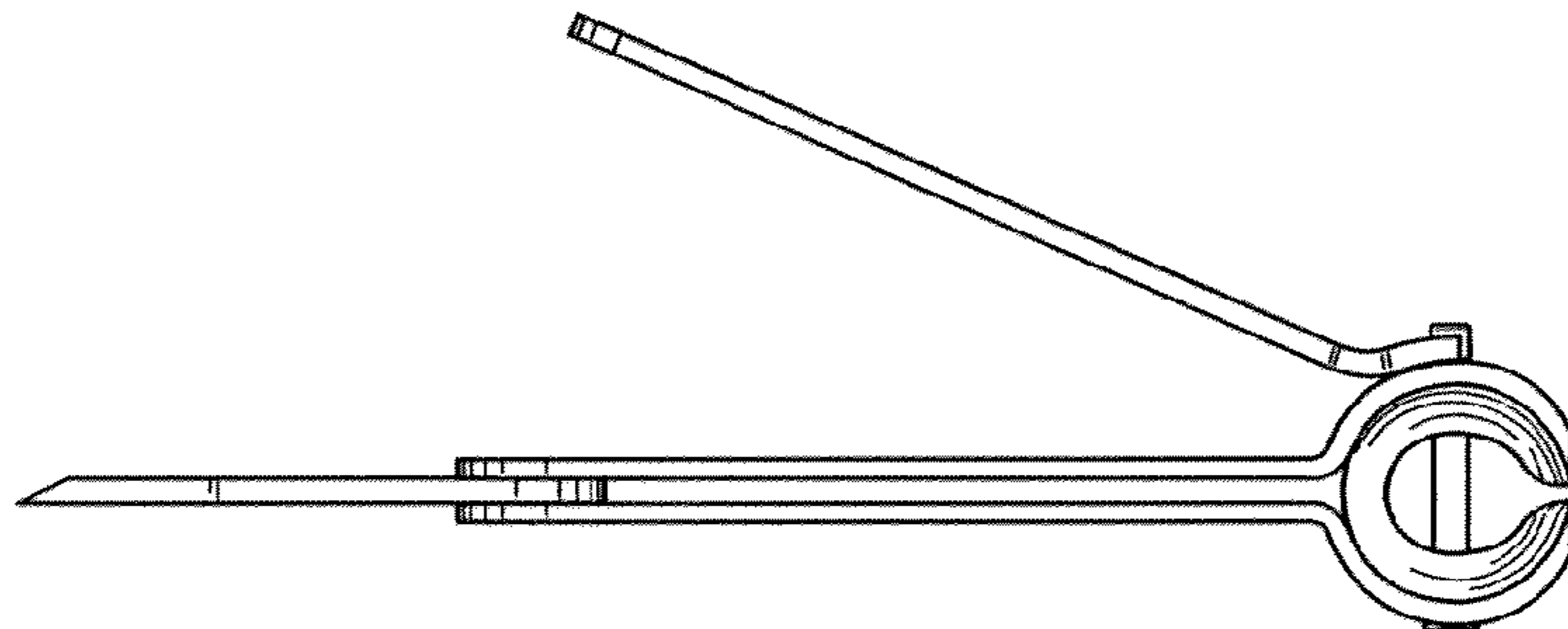
**FIG. 15**



**FIG. 16**

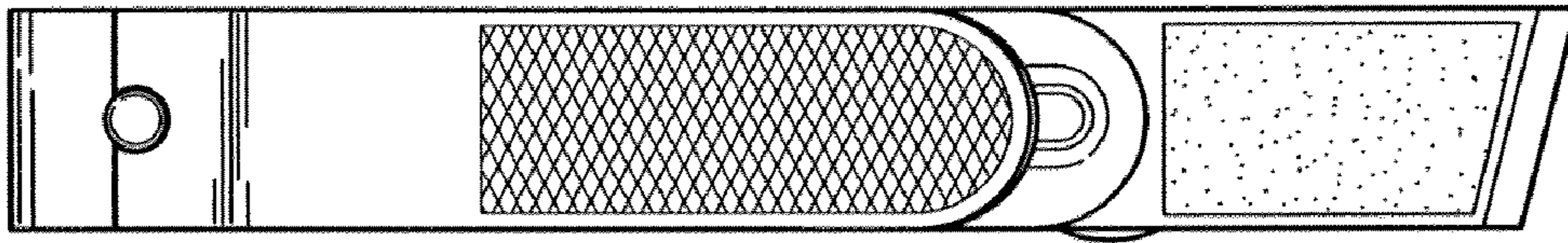


**FIG. 17**

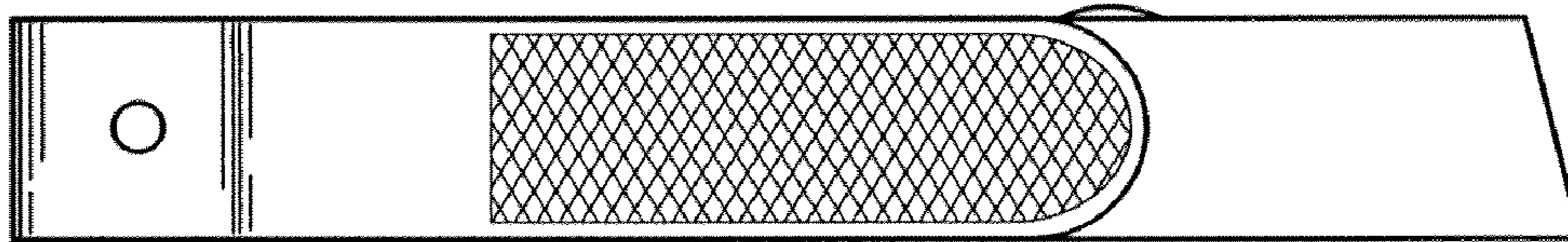




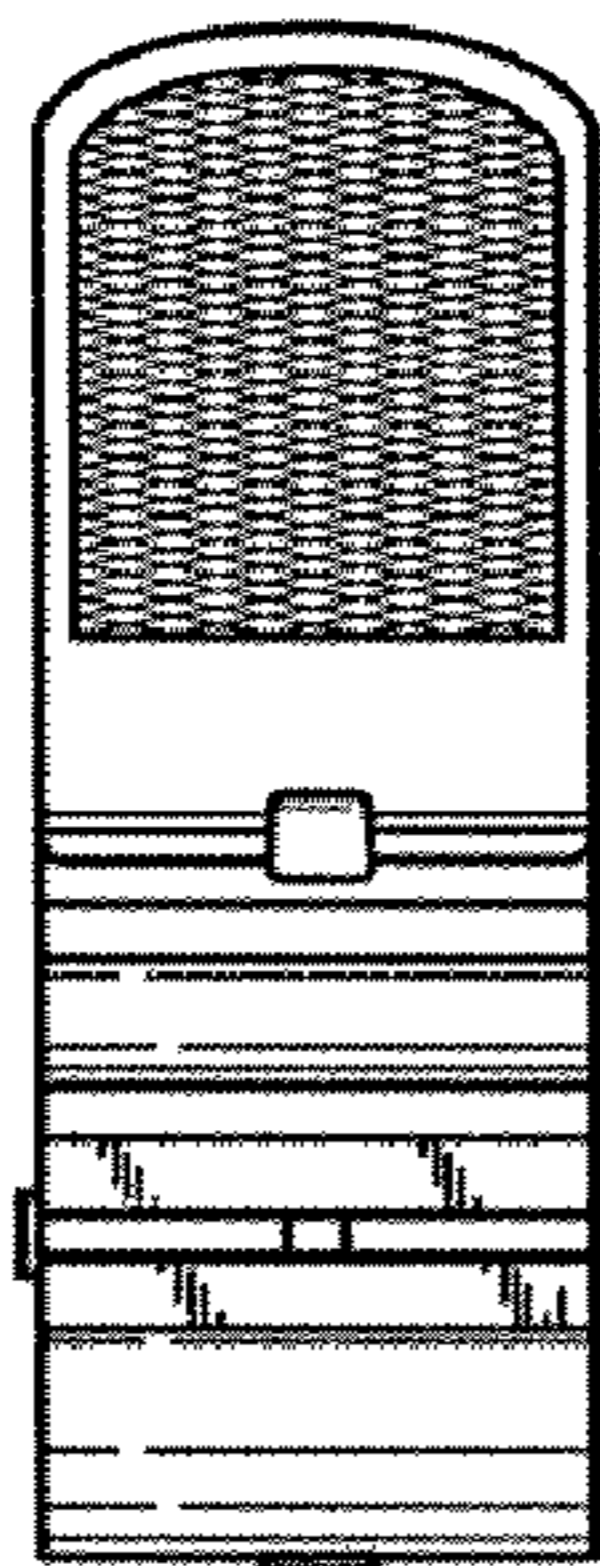
**FIG. 18**



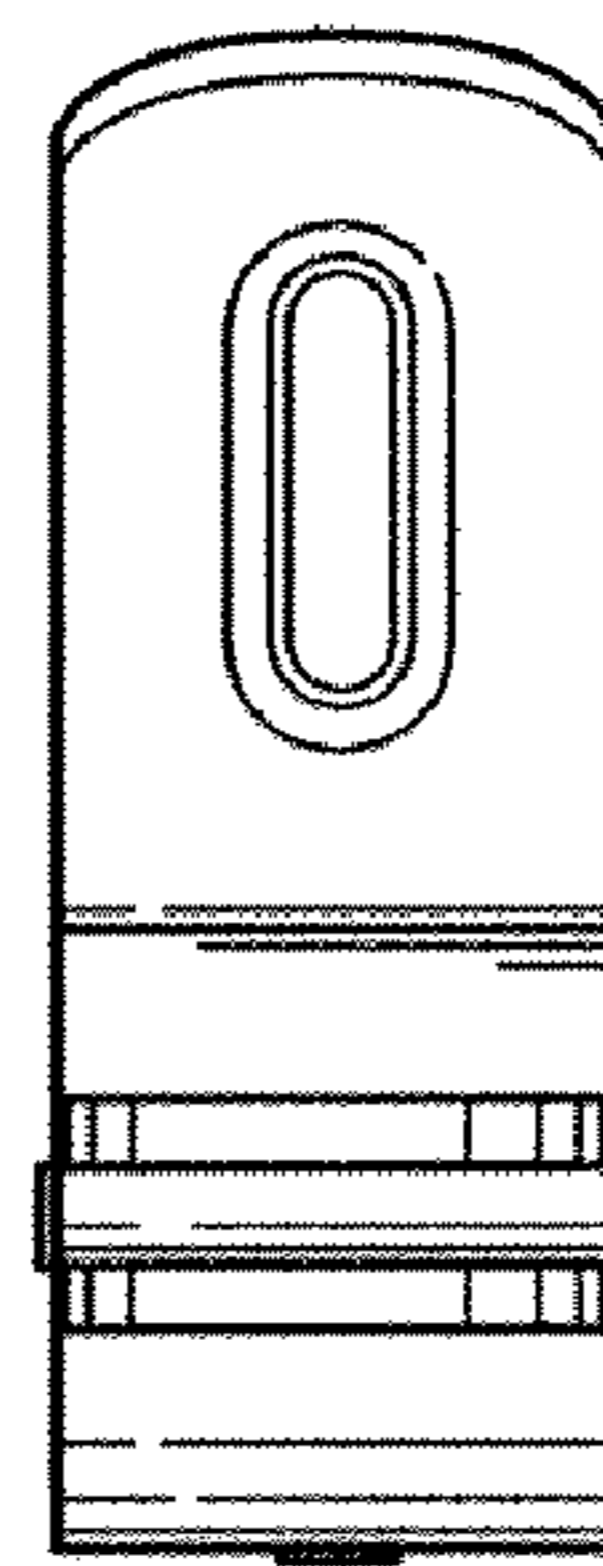
**FIG. 19**



**FIG. 20**

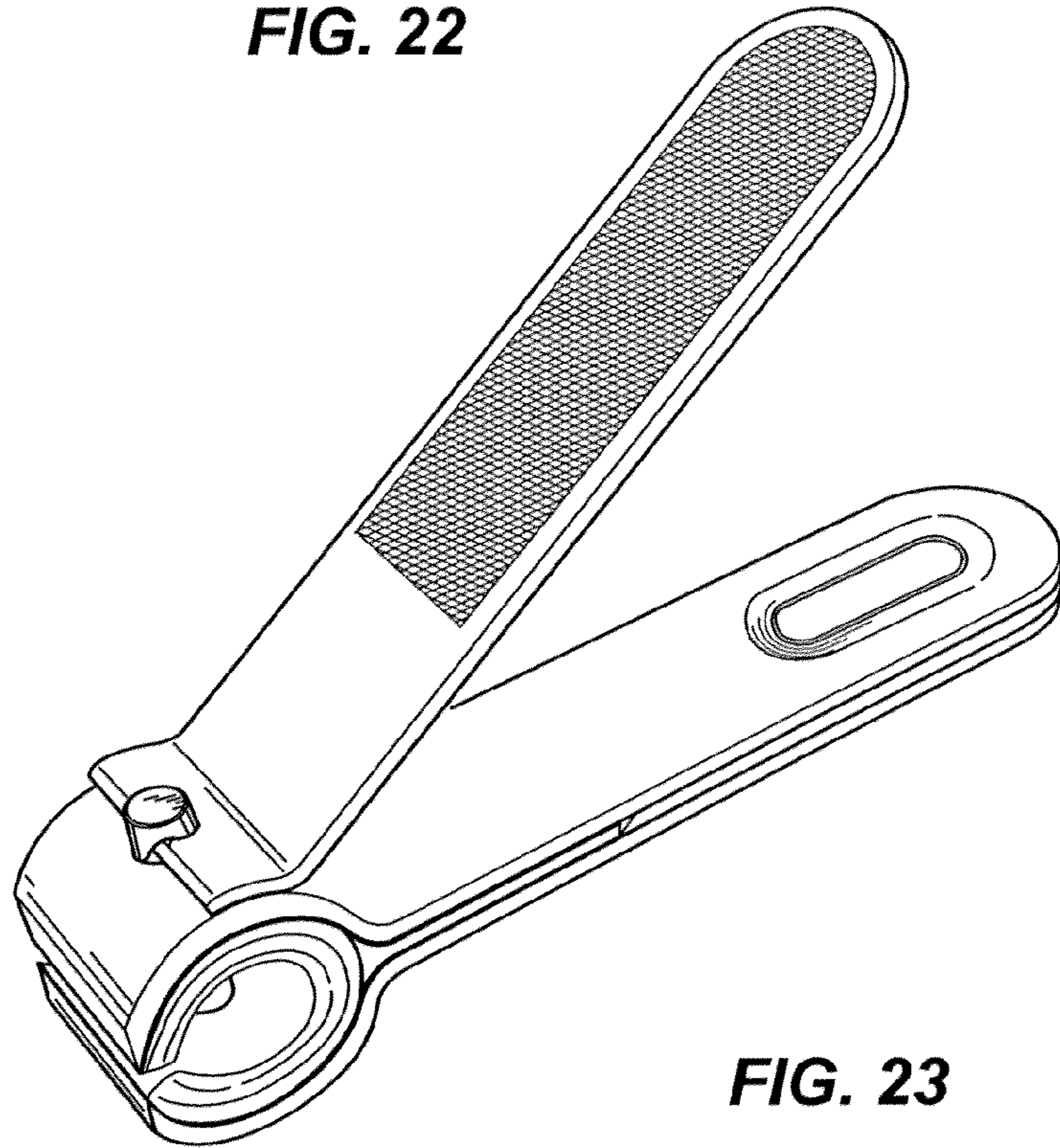


**FIG. 21**

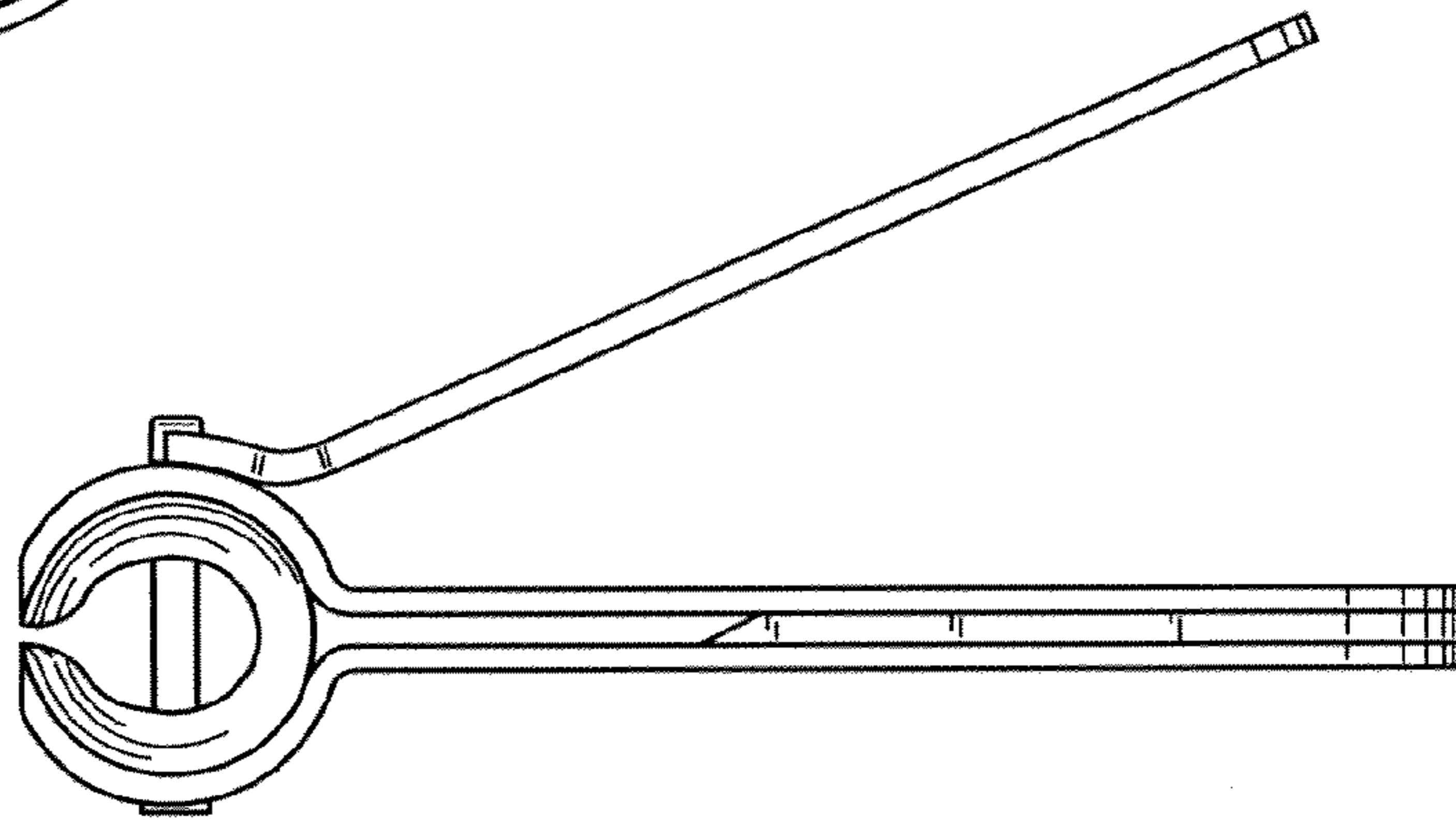




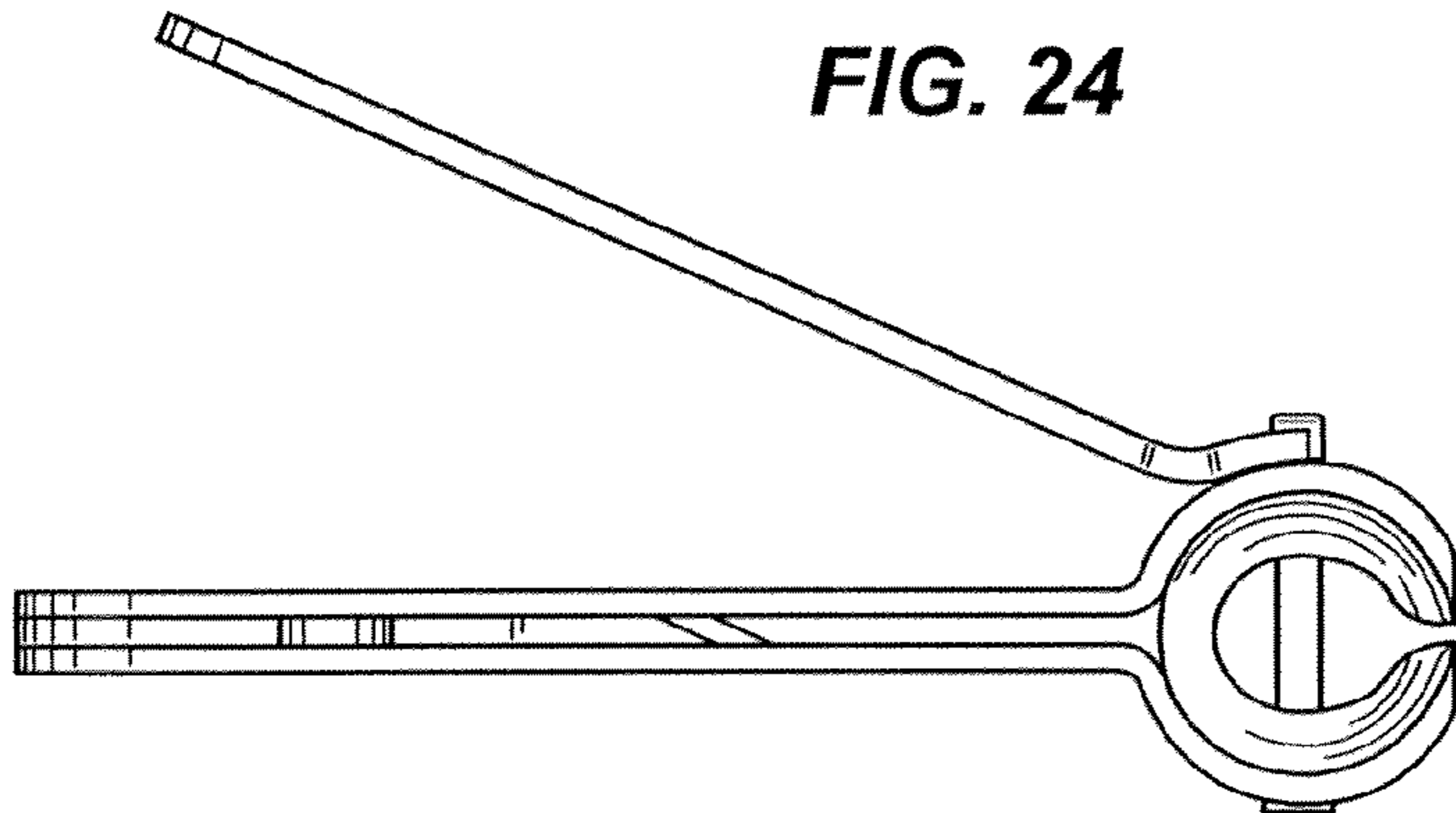
**FIG. 22**



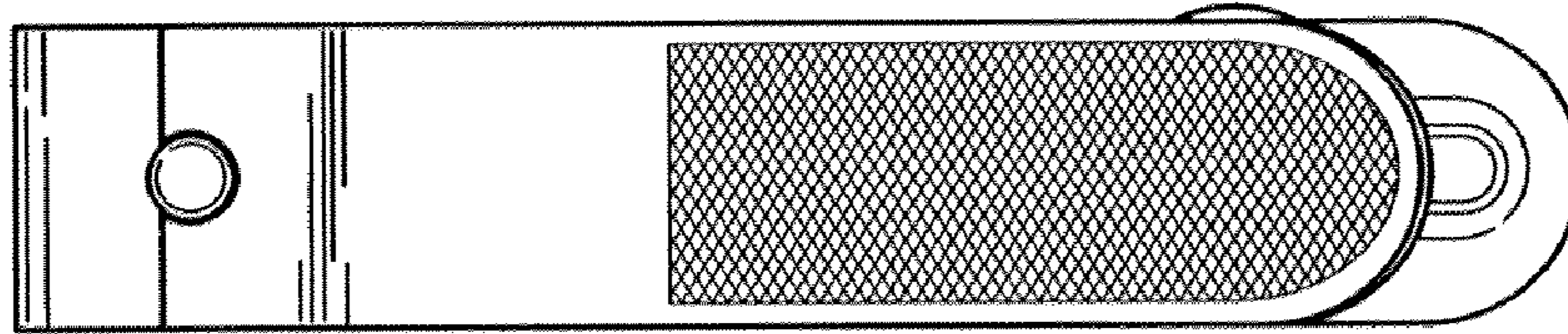
**FIG. 23**



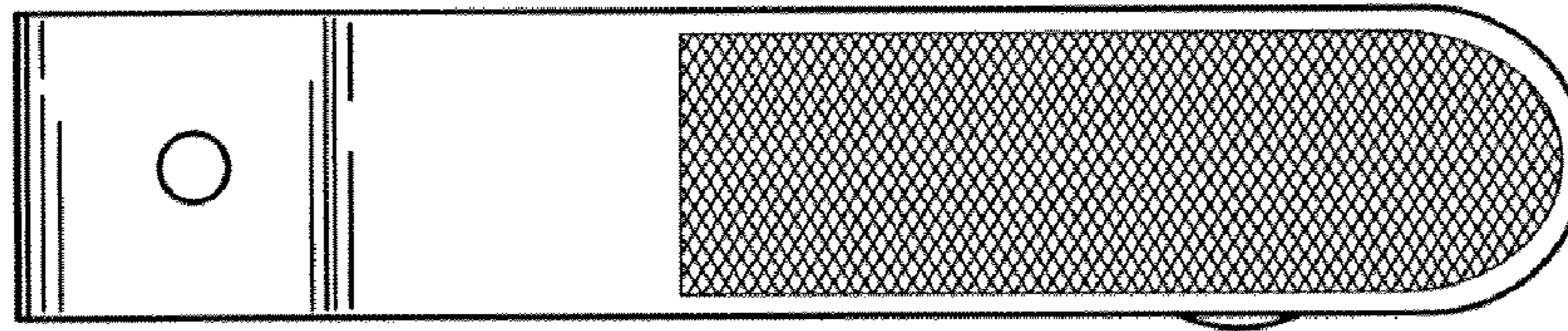
**FIG. 24**



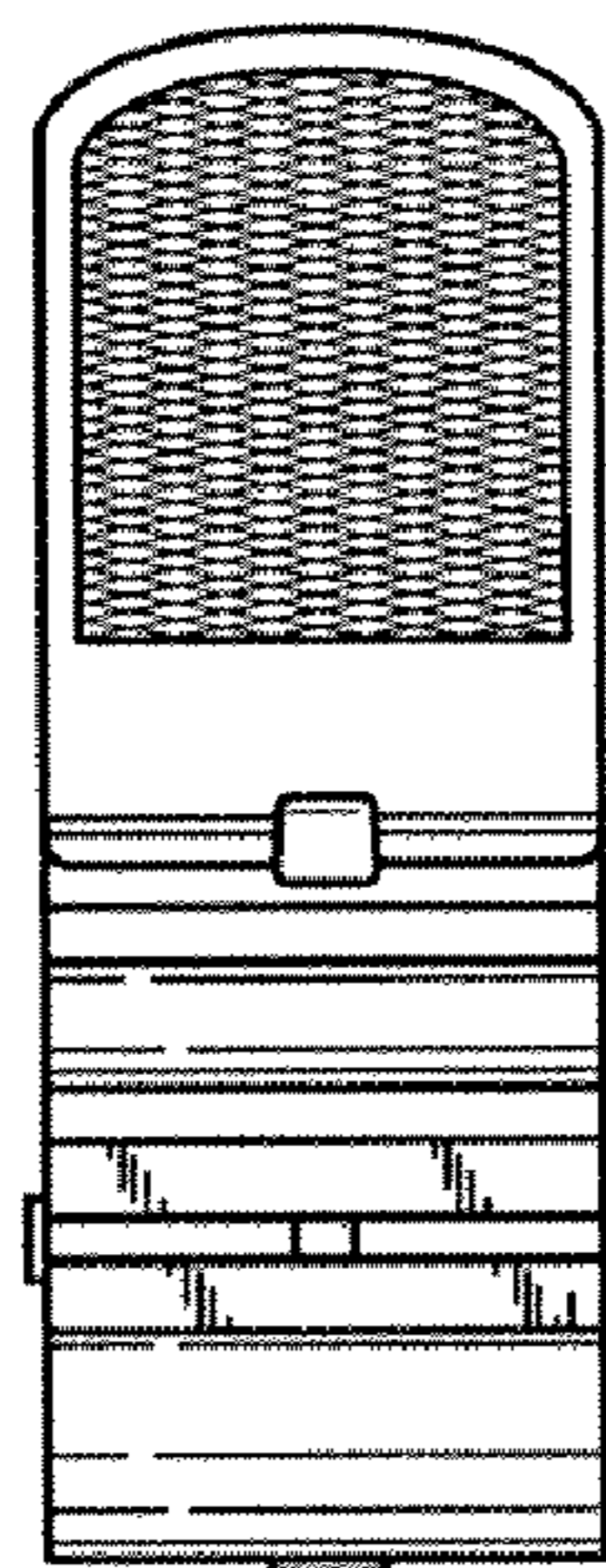
**FIG. 25**



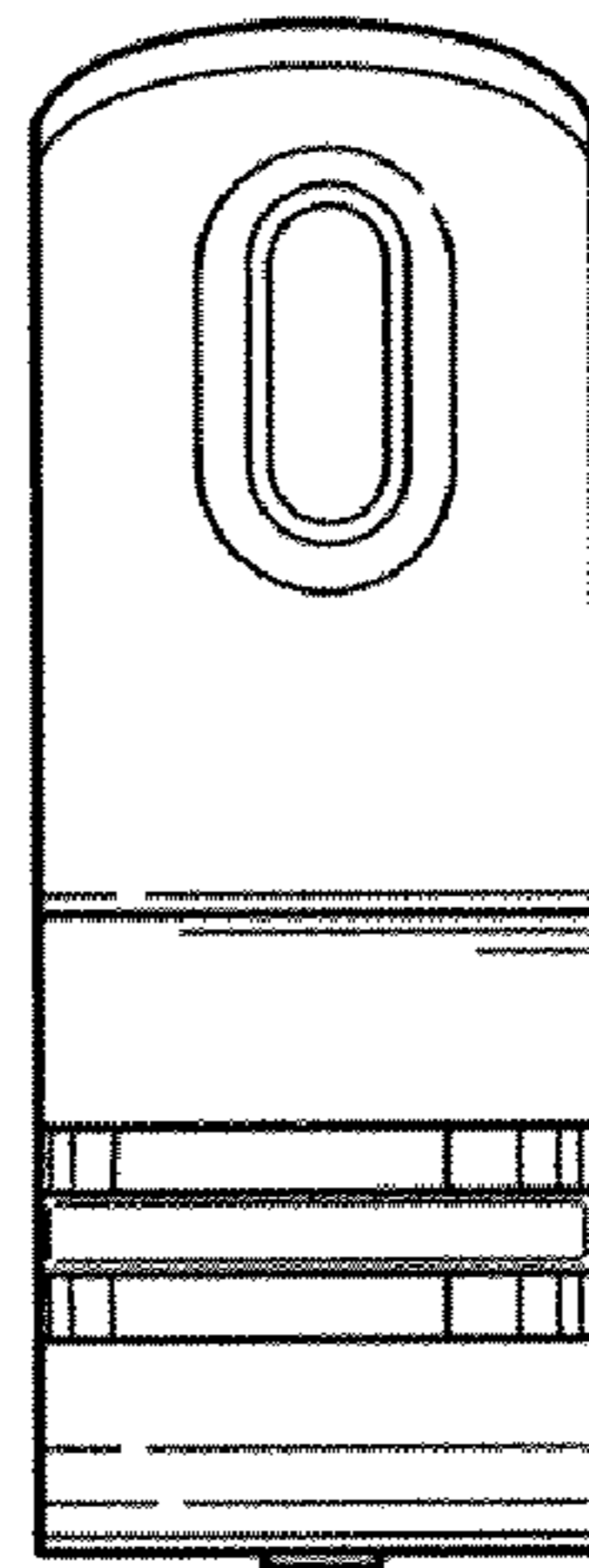
**FIG. 26**



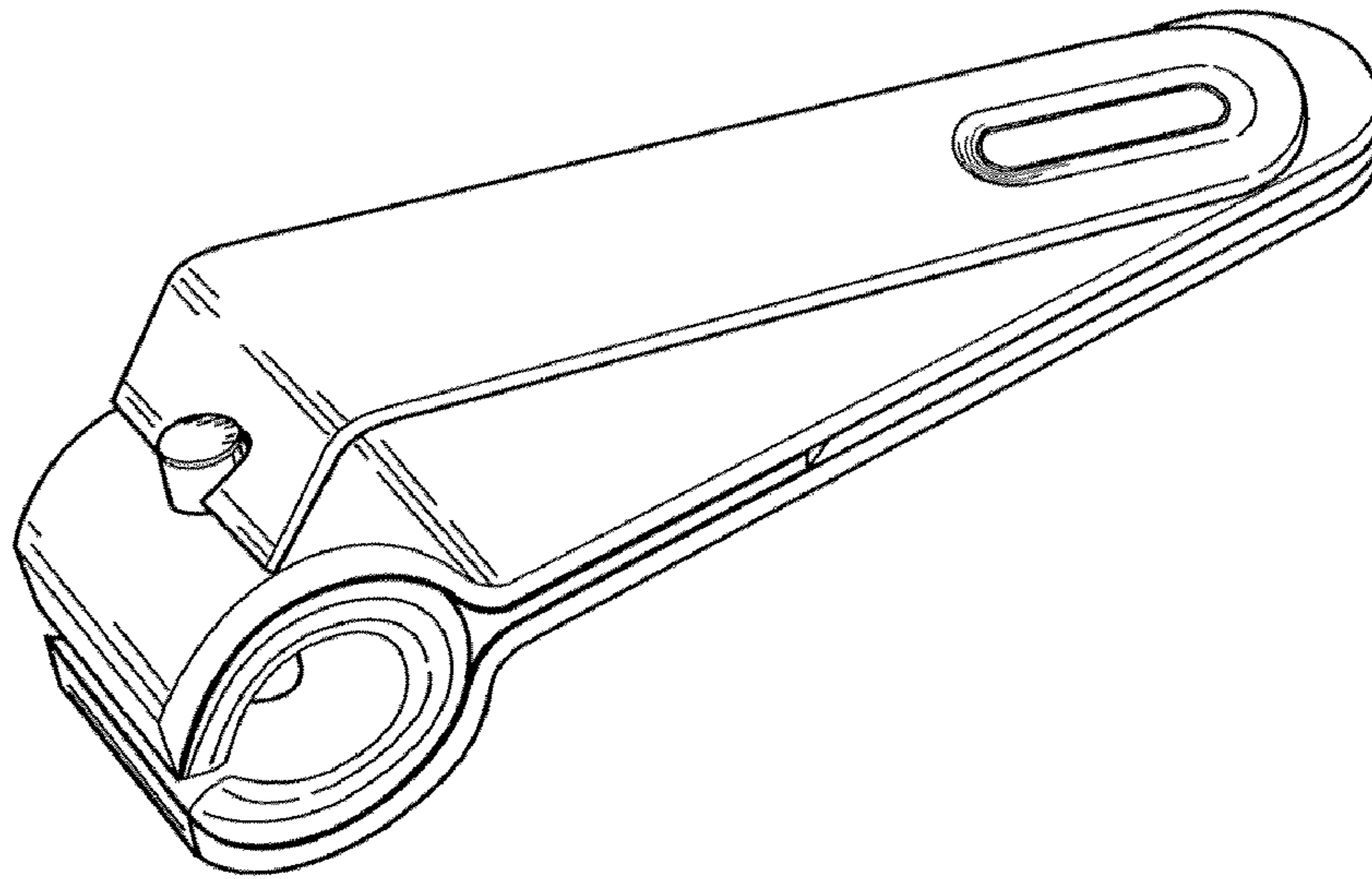
**FIG. 27**



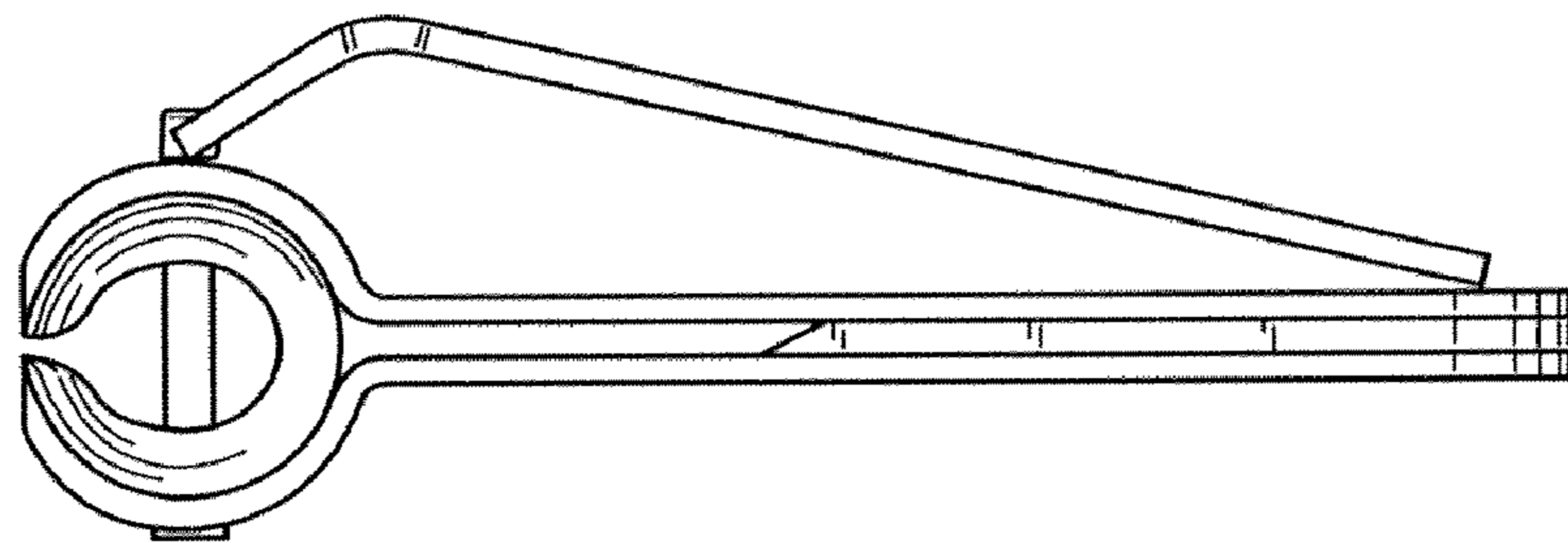
**FIG. 28**



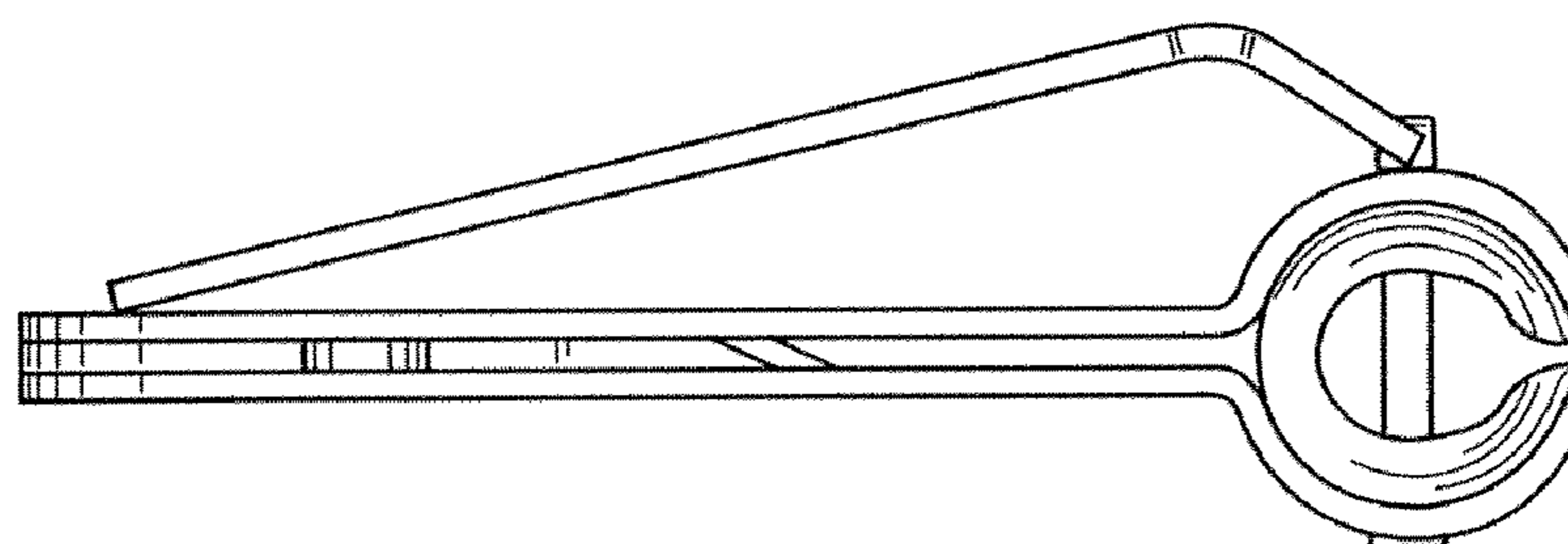
**FIG. 29**



**FIG. 30**

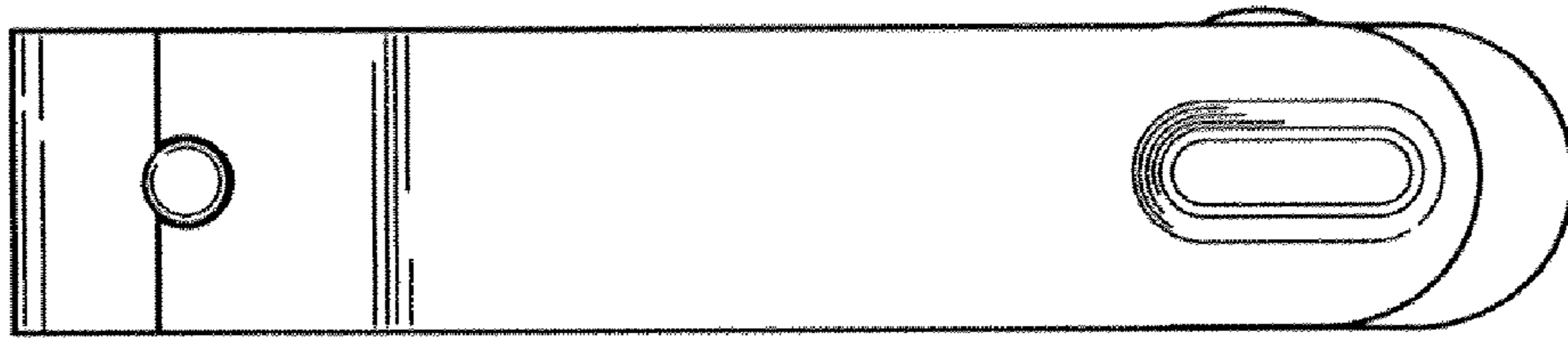


**FIG. 31**

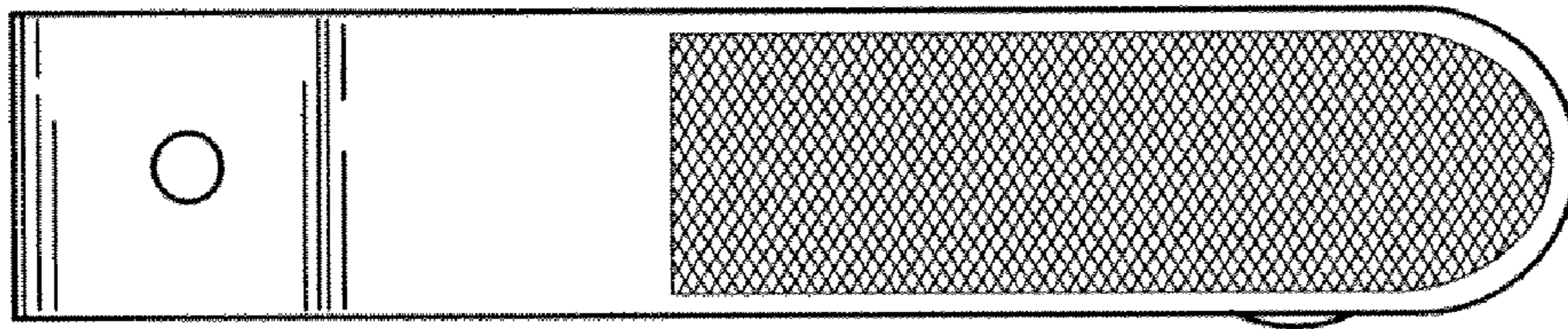




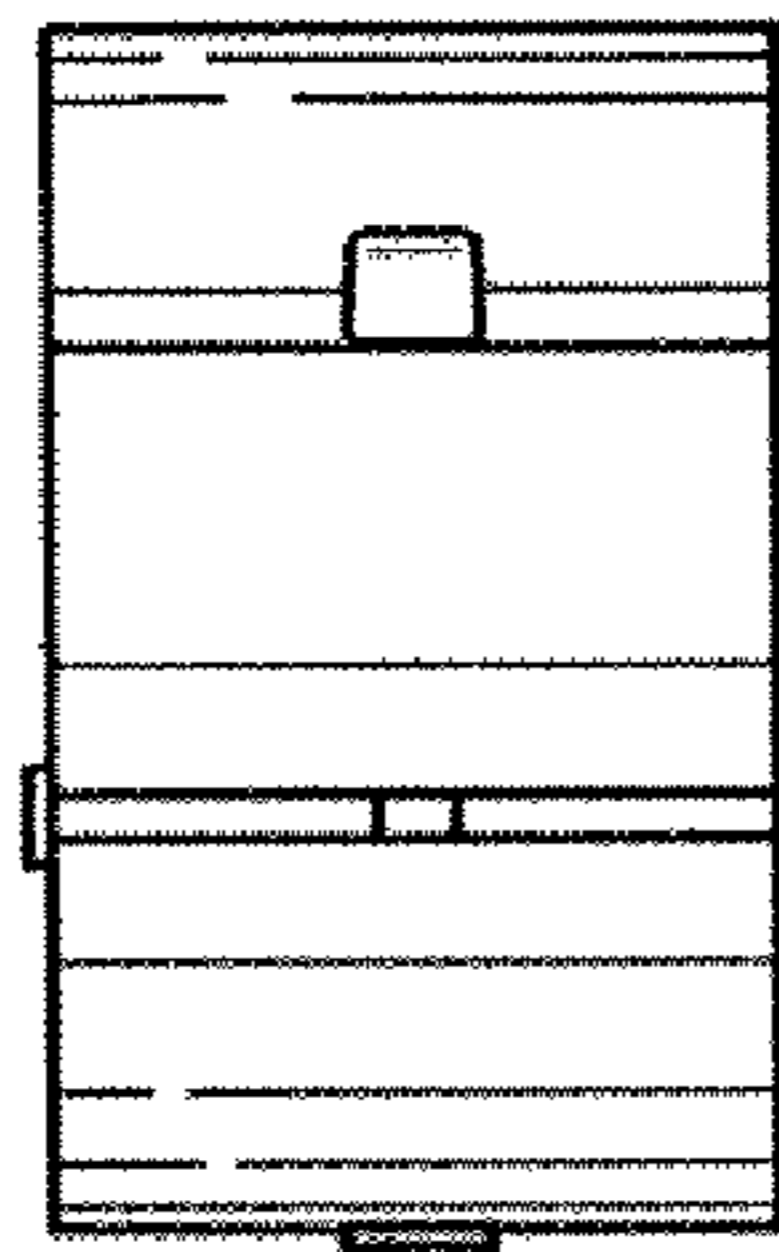
**FIG. 32**



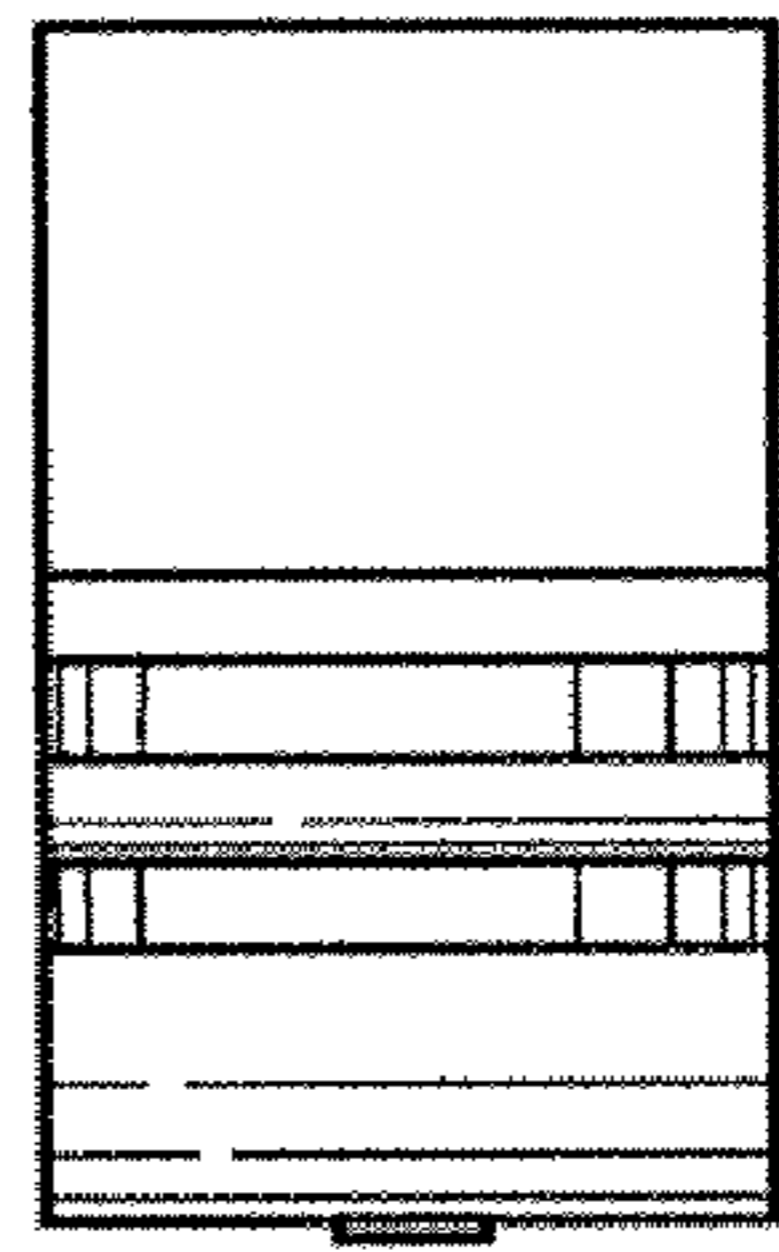
**FIG. 33**



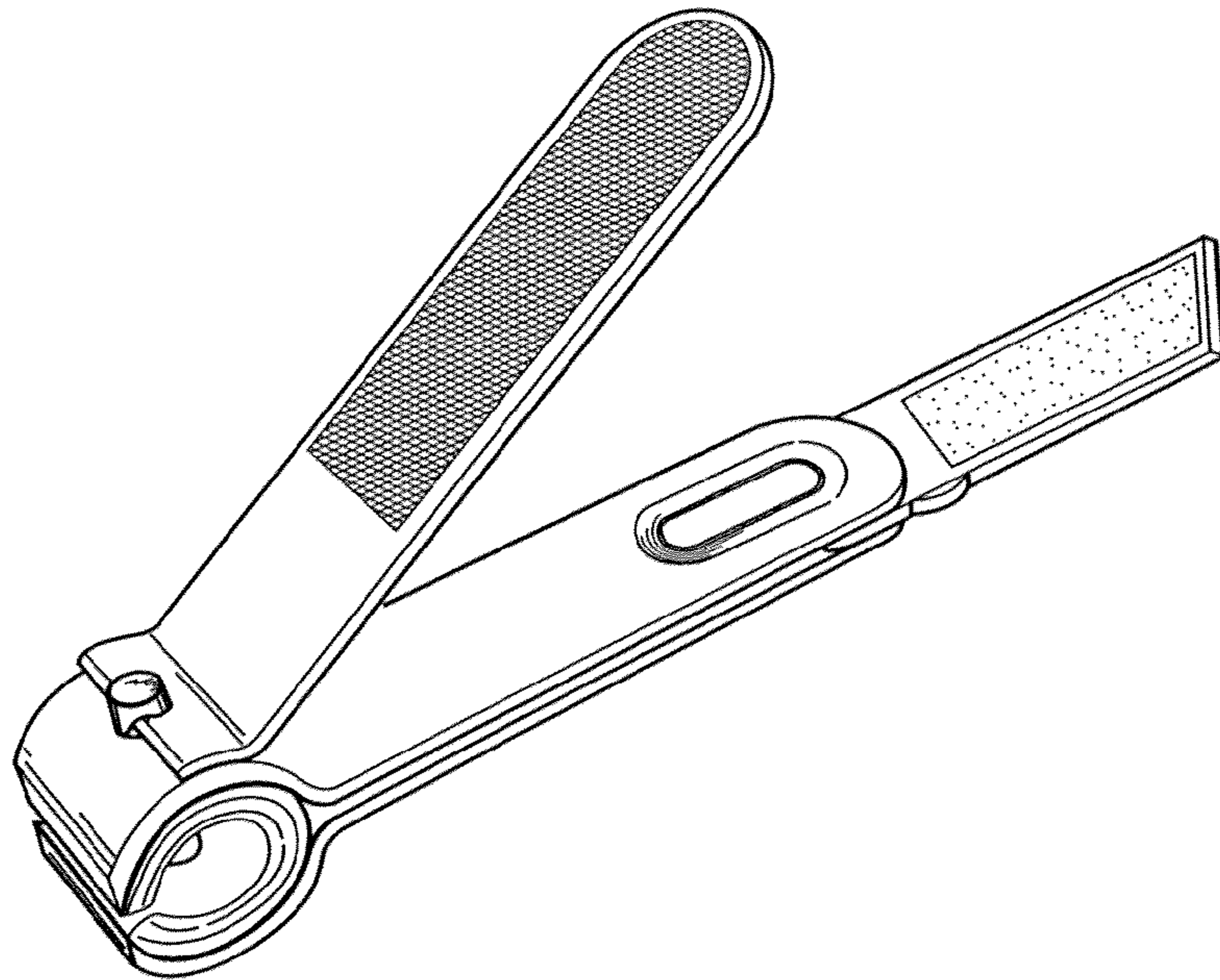
**FIG. 34**



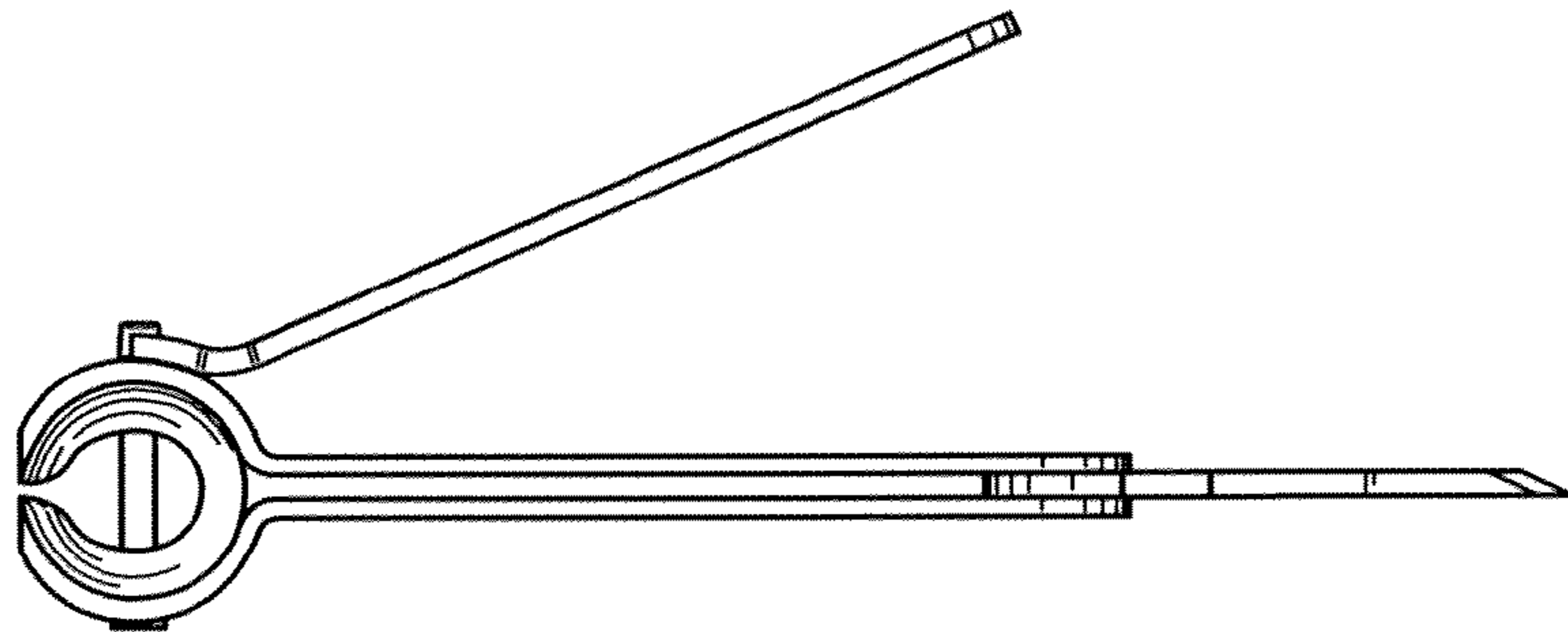
**FIG. 35**



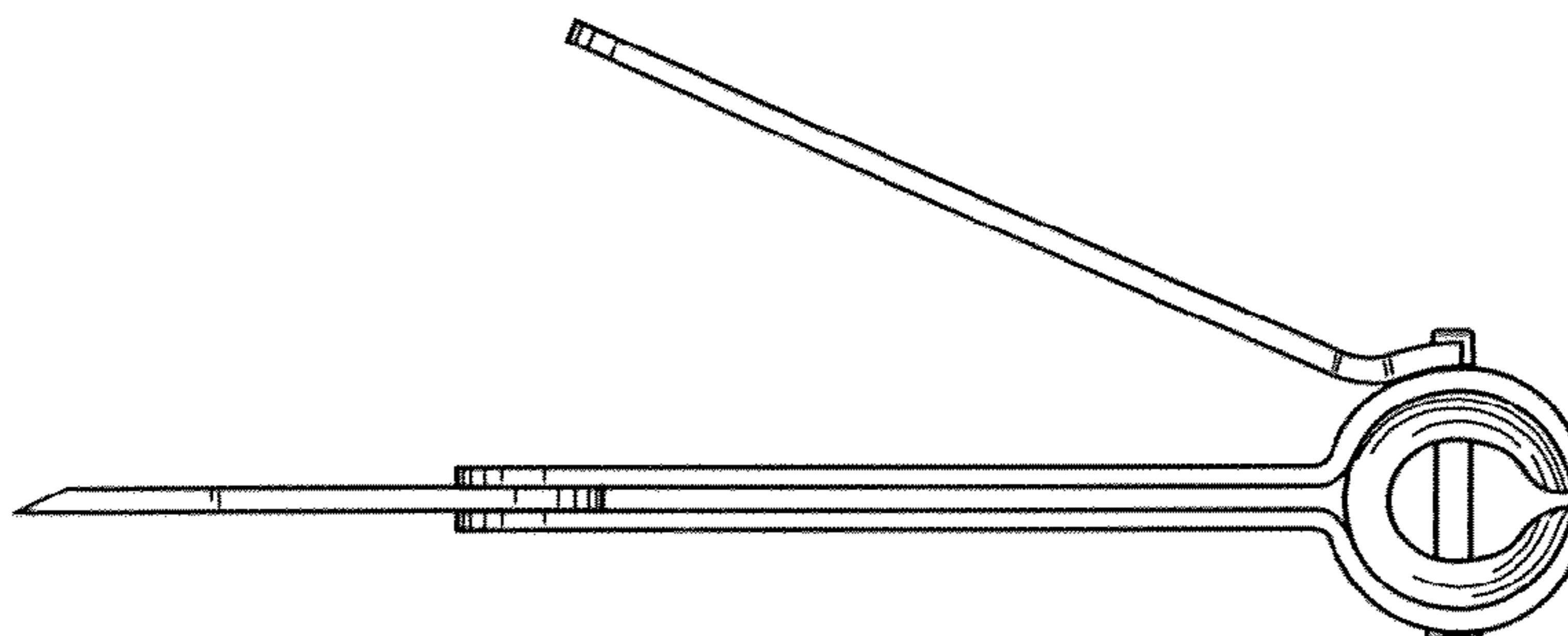
**FIG. 36**



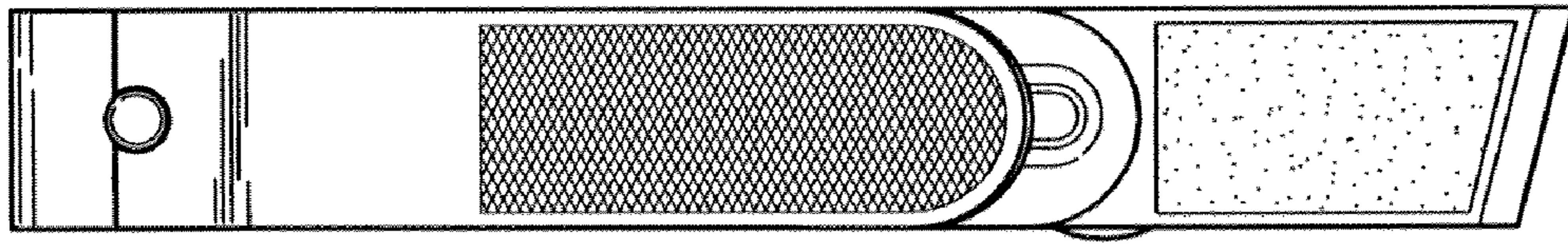
**FIG. 37**



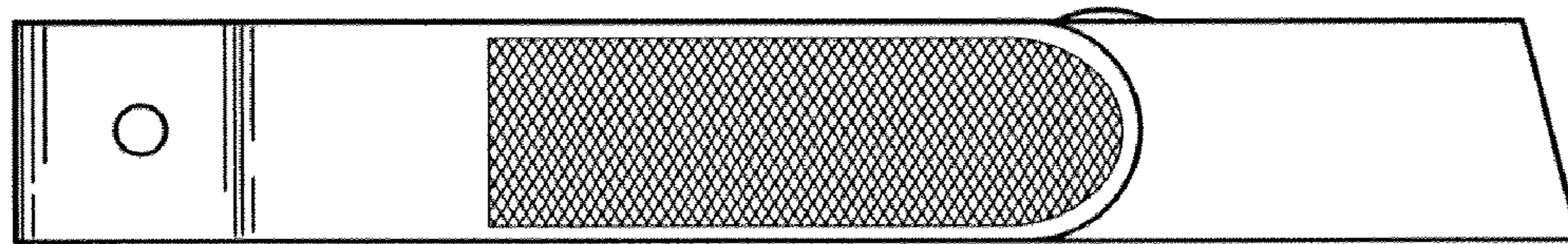
**FIG. 38**



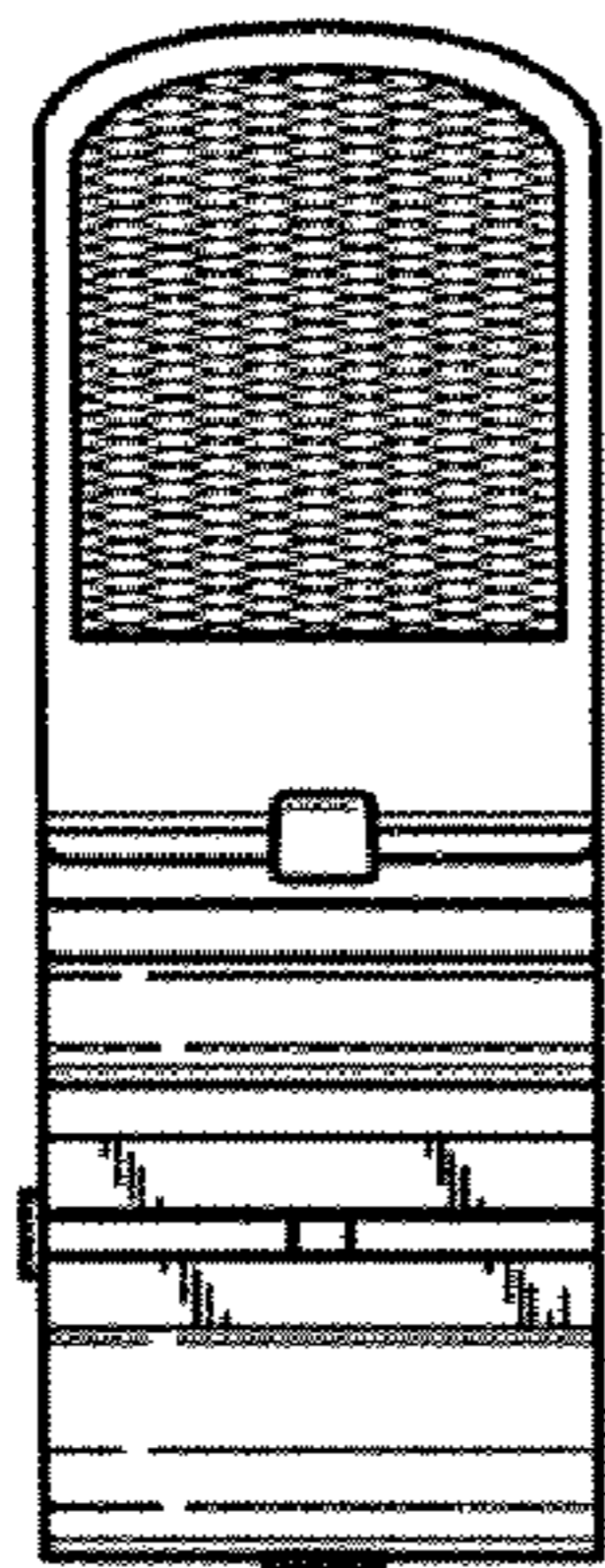
**FIG. 39**



**FIG. 40**



**FIG. 41**



**FIG. 42**

