



US00D559462S

(12) **United States Design Patent**
Garland et al.

(10) **Patent No.:** **US D559,462 S**
(45) **Date of Patent:** **** Jan. 8, 2008**

(54) **NAIL CLIPPERS**

(75) Inventors: **Tylor Garland**, Studio City, CA (US);
Patrick Burgess, Jalisco (MX); **Aldis Rauda**, West Hollywood, CA (US);
Stan Chudzik, Alpharetta, GA (US)

(73) Assignee: **Goody Products, Inc.**, Freeport, IL (US)

(**) Term: **14 Years**

(21) Appl. No.: **29/275,607**

(22) Filed: **Dec. 30, 2006**

(51) **LOC (8) Cl.** **28-03**

(52) **U.S. Cl.** **D28/60**

(58) **Field of Classification Search** D28/56,
D28/57, 59, 60; 132/73, 73.5, 75, 75.3, 75.4,
132/75.5, 75.6, 76.2; 30/26-29, 186
See application file for complete search history.

(56) **References Cited**

U.S. PATENT DOCUMENTS

4,150,481 A *	4/1979	Min	30/28
D437,458 S *	2/2001	Kim	D28/60
6,560,874 B1 *	5/2003	DeMezzo	30/28
D516,249 S *	2/2006	Merheje	D28/60
D522,177 S *	5/2006	Legras de Grandcourt	..	D28/60
D547,006 S *	7/2007	Han et al.	D28/60

* cited by examiner

Primary Examiner—Jennifer Rivard

(74) *Attorney, Agent, or Firm*—Marshall, Gerstein & Borun LLP

(57) **CLAIM**

The ornamental design for “nail clippers,” as shown and described.

DESCRIPTION

FIG. 1 is a perspective view from the top and left of the first embodiment of the nail clippers having our new design;

FIG. 2 is a left side elevational view thereof;

FIG. 3 is a right side elevational view thereof;

FIG. 4 is a top plan view thereof;

FIG. 5 is a bottom view thereof;

FIG. 6 is a front view thereof;

FIG. 7 is a rear view thereof;

FIG. 8 is a perspective view from the top and left of the nail clippers of FIG. 1 with the arm deployed;

FIG. 9 is a left side elevational view thereof;

FIG. 10 is a right side elevational view thereof;

FIG. 11 is a top plan view thereof;

FIG. 12 is a bottom view thereof;

FIG. 13 is a front view thereof;

FIG. 14 is a rear view thereof;

FIG. 15 is a perspective view from the top and left of the nail clippers of FIG. 1 with the nail file deployed;

FIG. 16 is a left side elevational view thereof;

FIG. 17 is a right side elevational view thereof;

FIG. 18 is a plan view thereof;

FIG. 19 is a bottom view thereof;

FIG. 20 is a front view thereof;

FIG. 21 is a rear view thereof;

FIG. 22 is a perspective view from the top and left of the second embodiment of the nail clippers having our new design;

FIG. 23 is a left side elevational view thereof;

FIG. 24 is a right side elevational view thereof;

FIG. 25 is a top plan view thereof;

FIG. 26 is a bottom view thereof;

FIG. 27 is a front view thereof;

FIG. 28 is a rear view thereof;

FIG. 29 is a perspective view from the top and left of the nail clippers of FIG. 22 with the arm deployed;

FIG. 30 is a left side elevational view thereof;

FIG. 31 is a right side elevational view thereof;

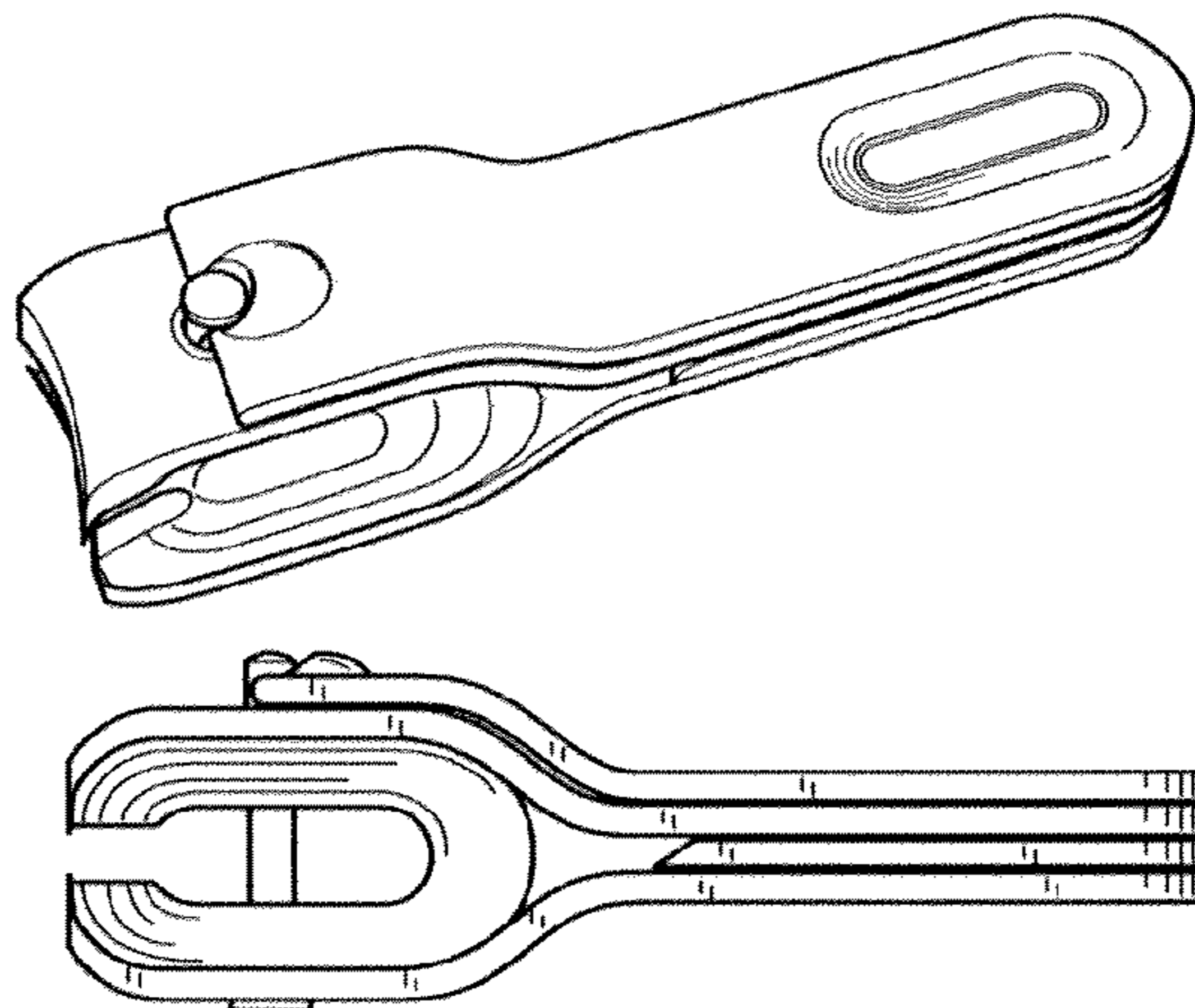


FIG. **32** is a top plan view thereof;

FIG. **33** is a bottom view thereof;

FIG. **34** is a front view thereof;

FIG. **35** is a rear view thereof;

FIG. **36** is a perspective view from the top and left of the nail clippers of FIG. **22** with the nail file deployed;

FIG. **37** is a left side elevational view thereof;

FIG. **38** is a right side elevational view thereof;

FIG. **39** is a plan view thereof;

FIG. **40** is a bottom view thereof;

FIG. **41** is a front view thereof; and,

FIG. **42** is a rear view thereof.

1 Claim, 6 Drawing Sheets

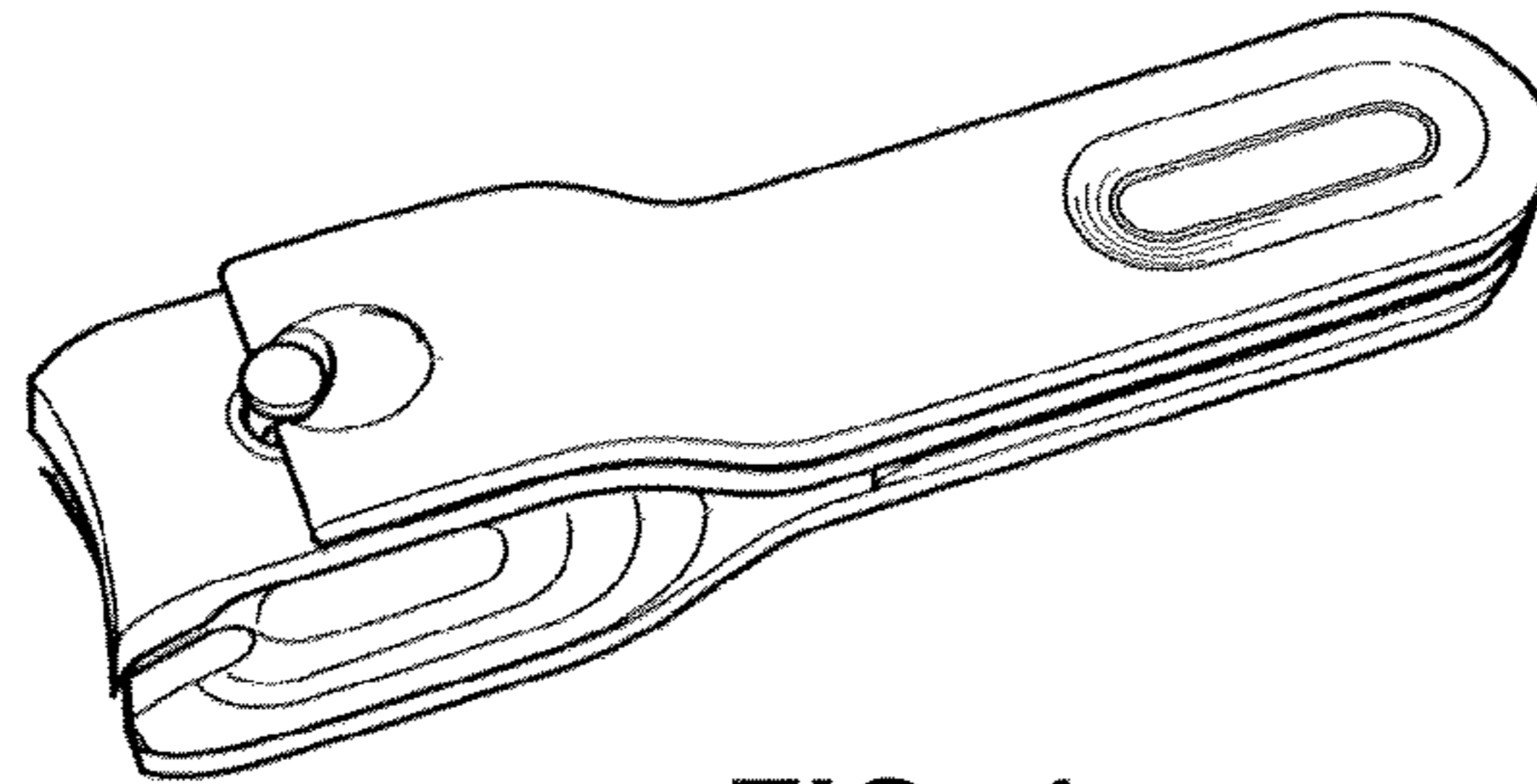


FIG. 1

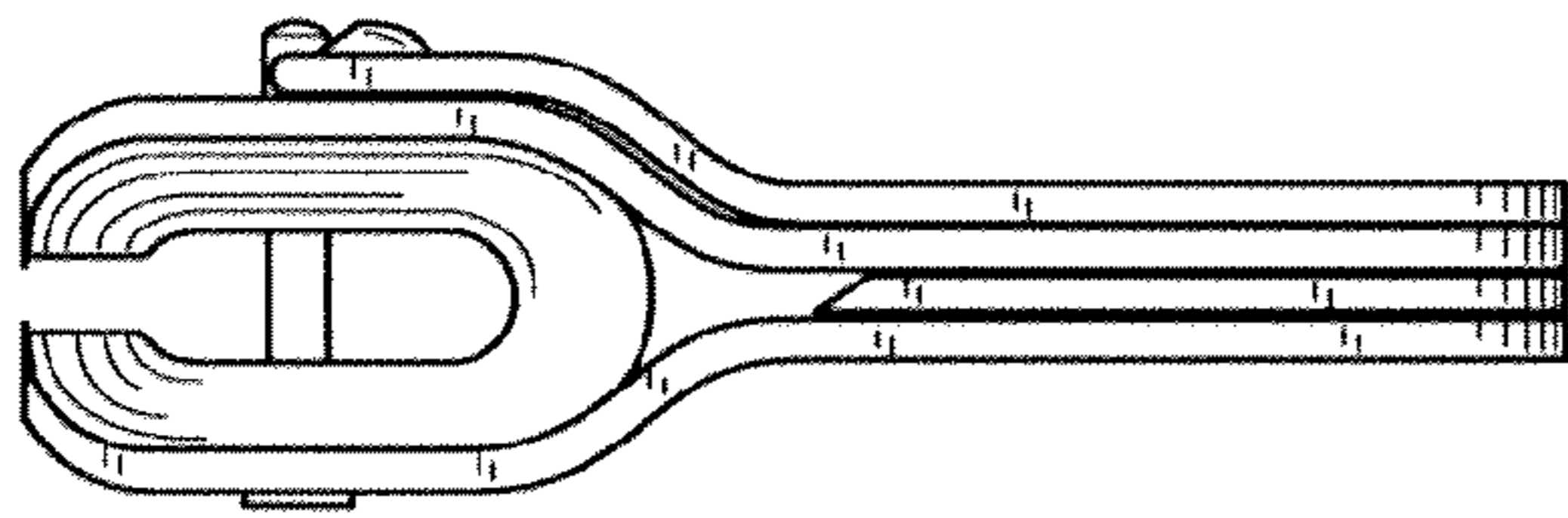


FIG. 2

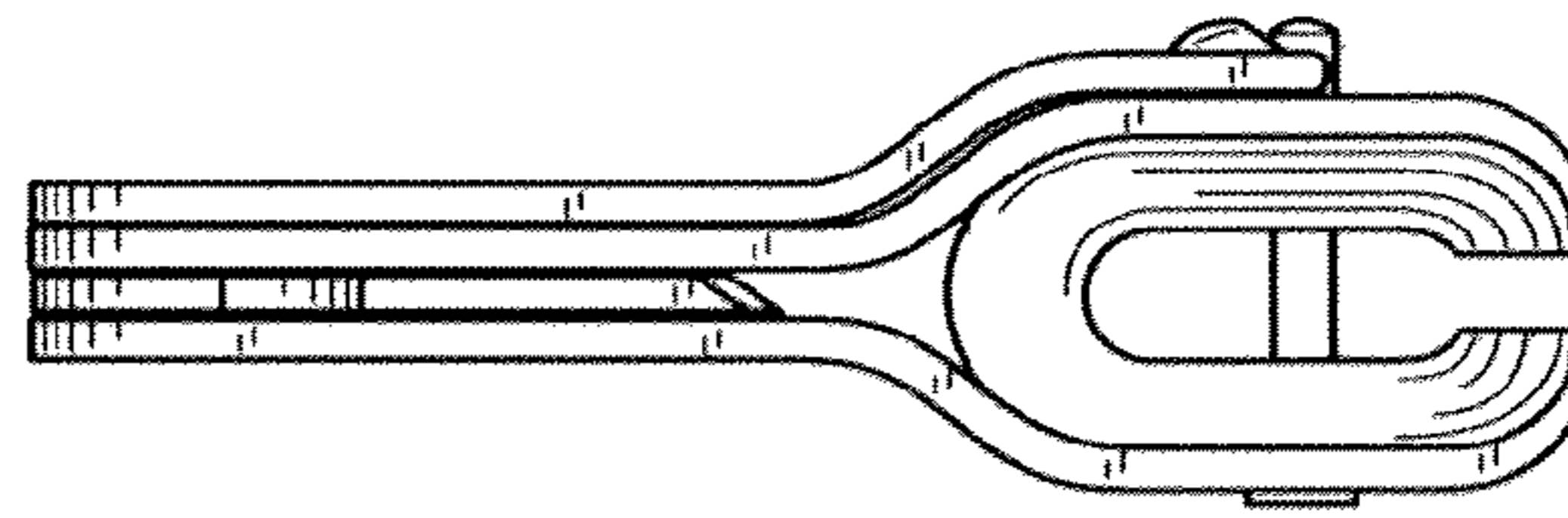


FIG. 3

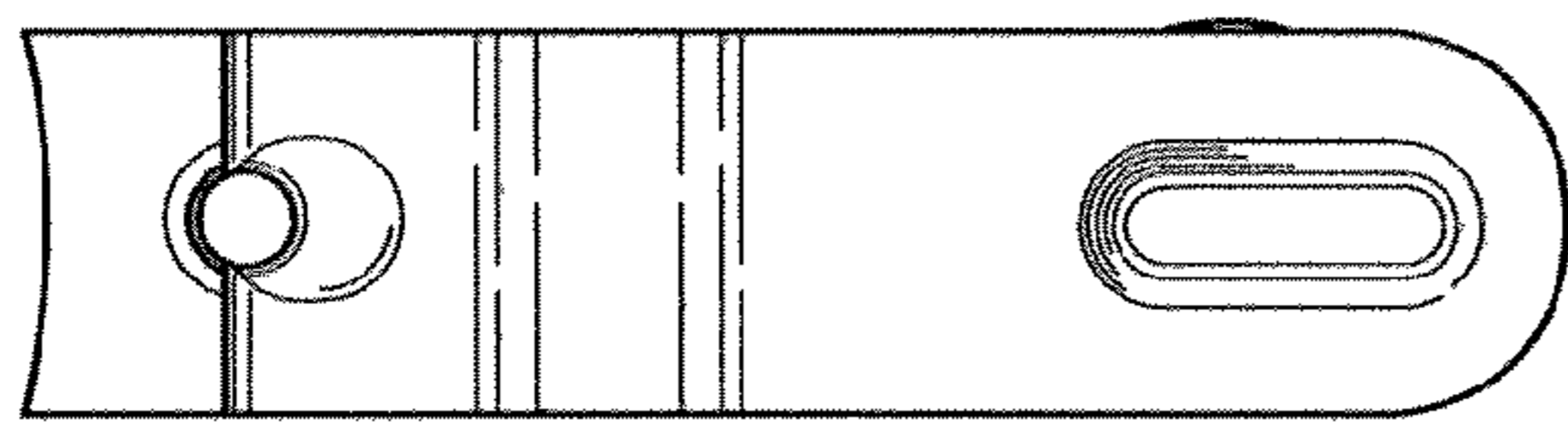


FIG. 4

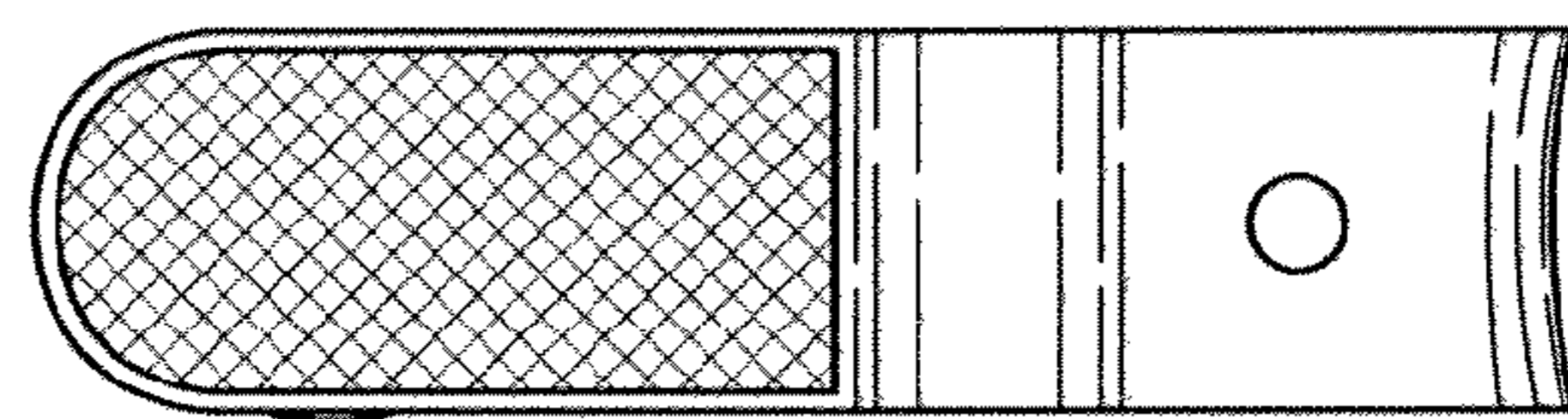


FIG. 5

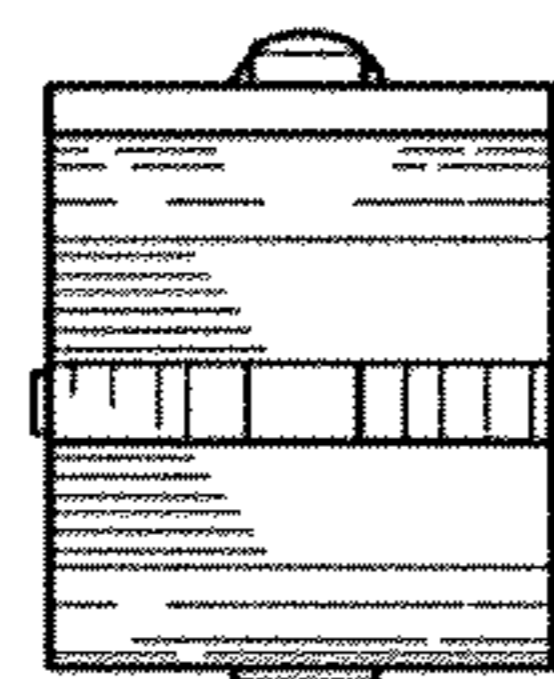


FIG. 6

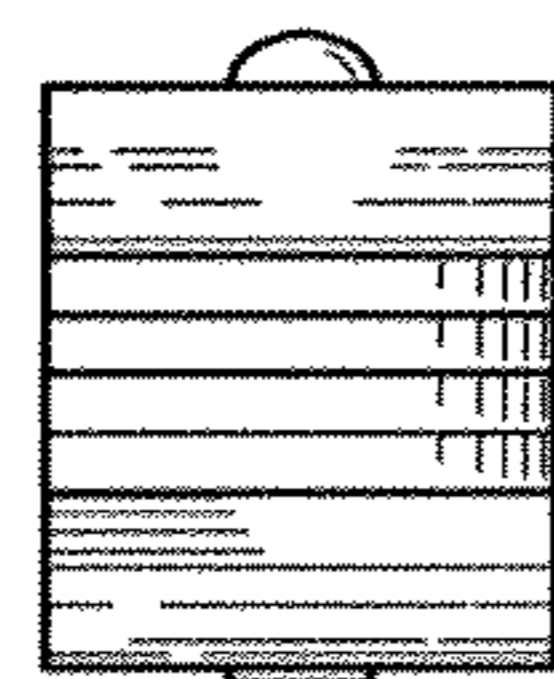


FIG. 7

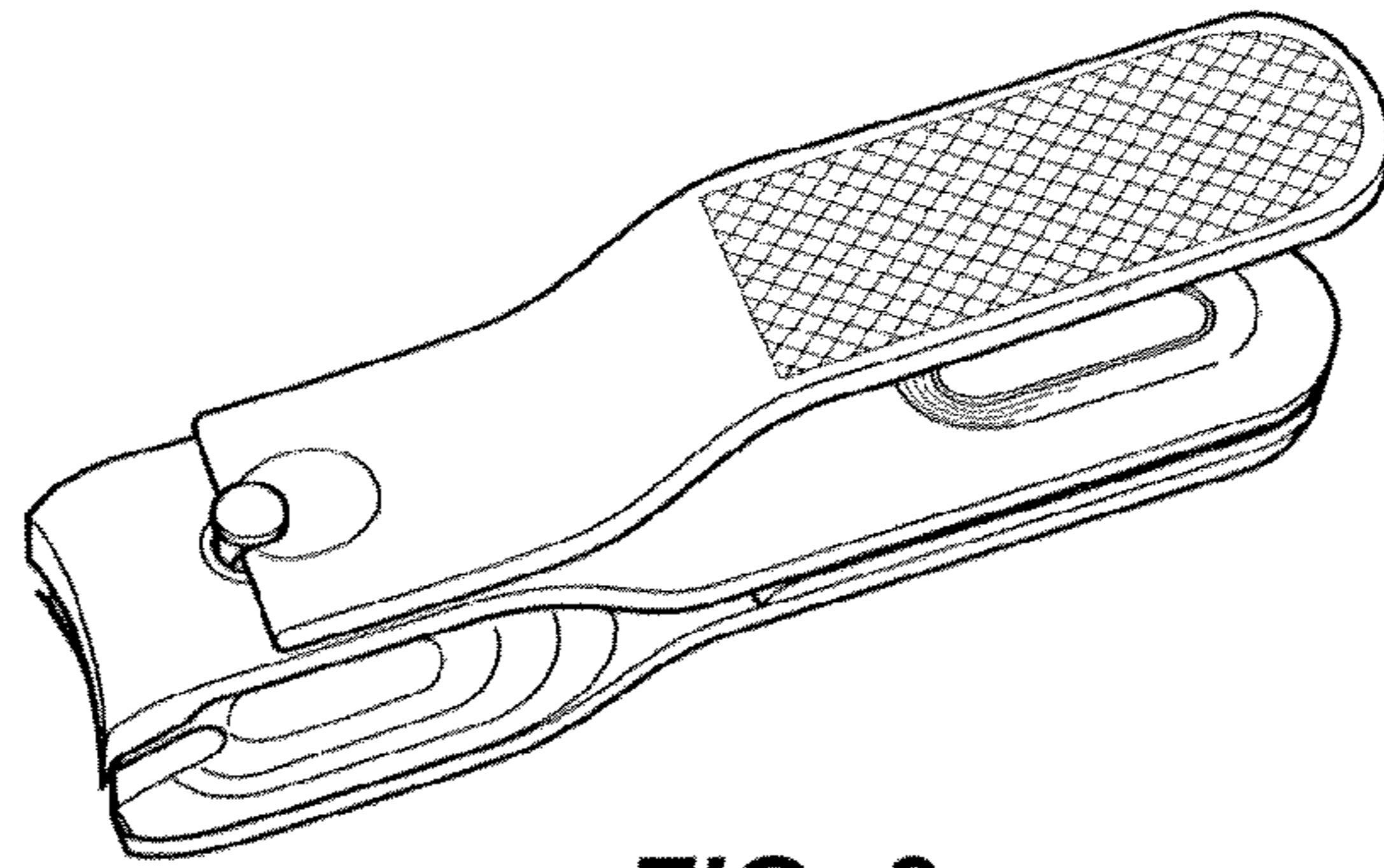


FIG. 8

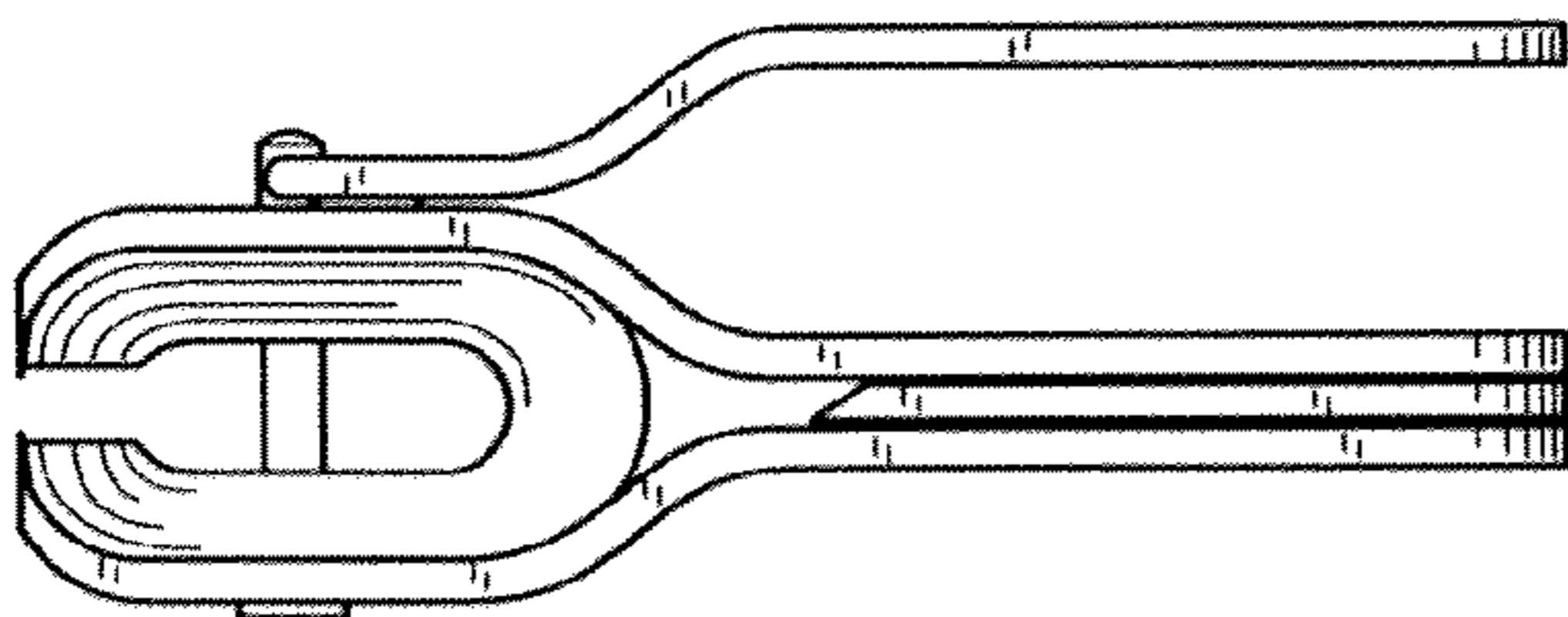


FIG. 9

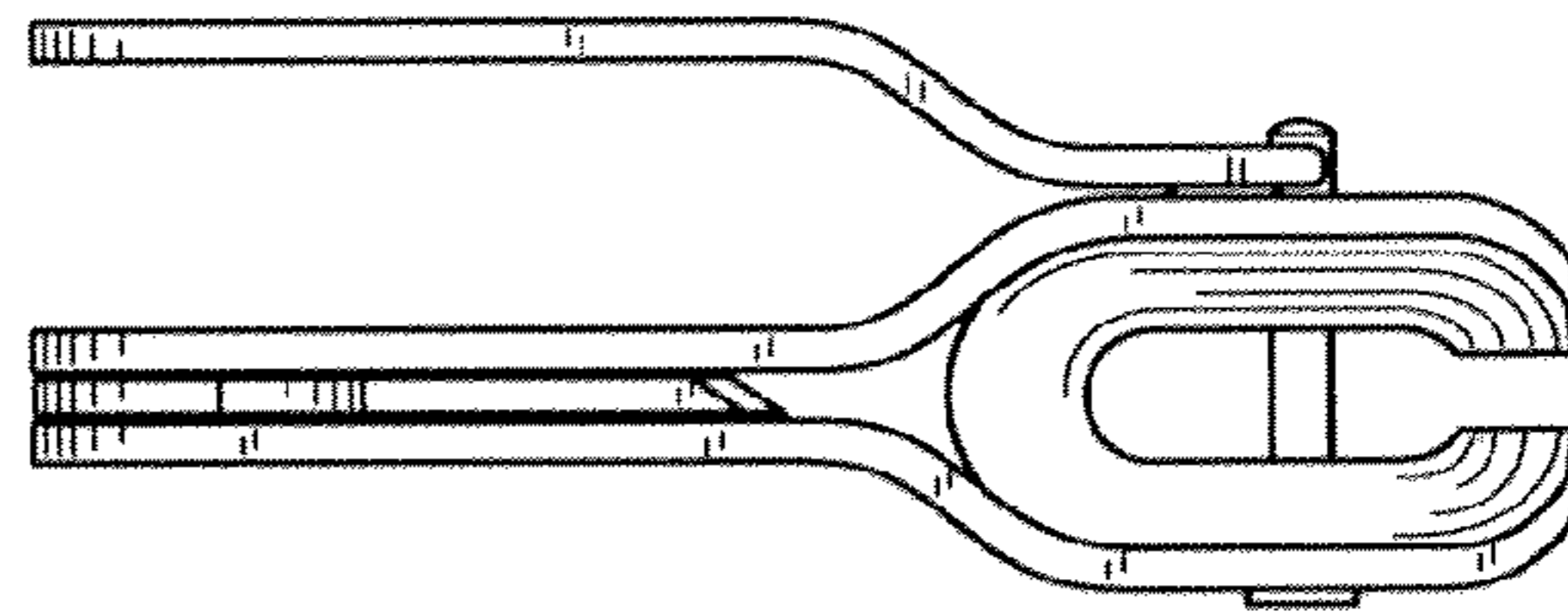


FIG. 10

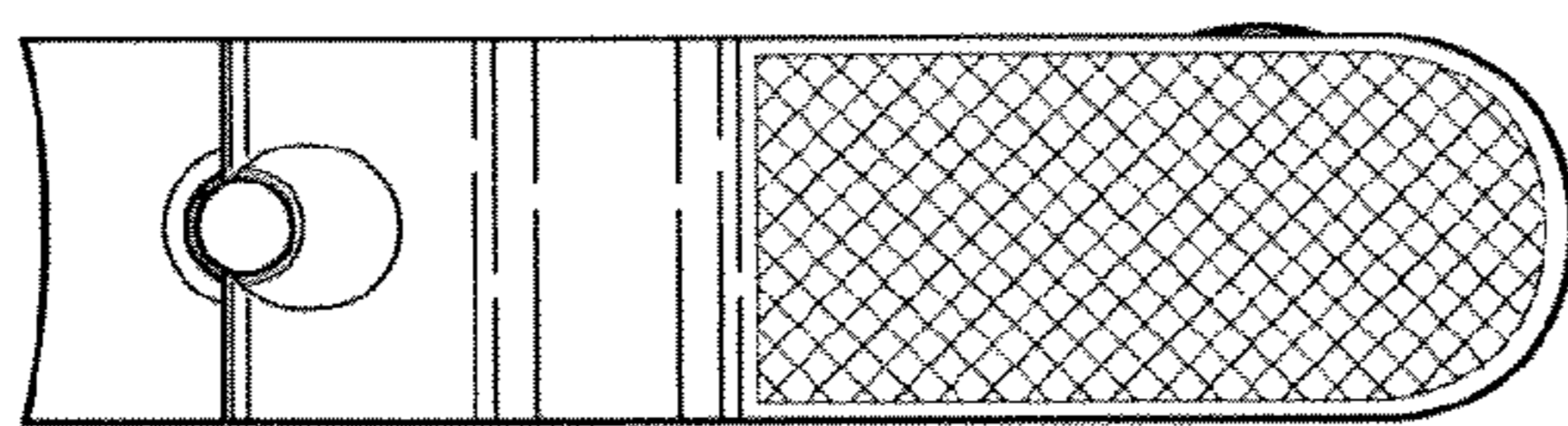


FIG. 11

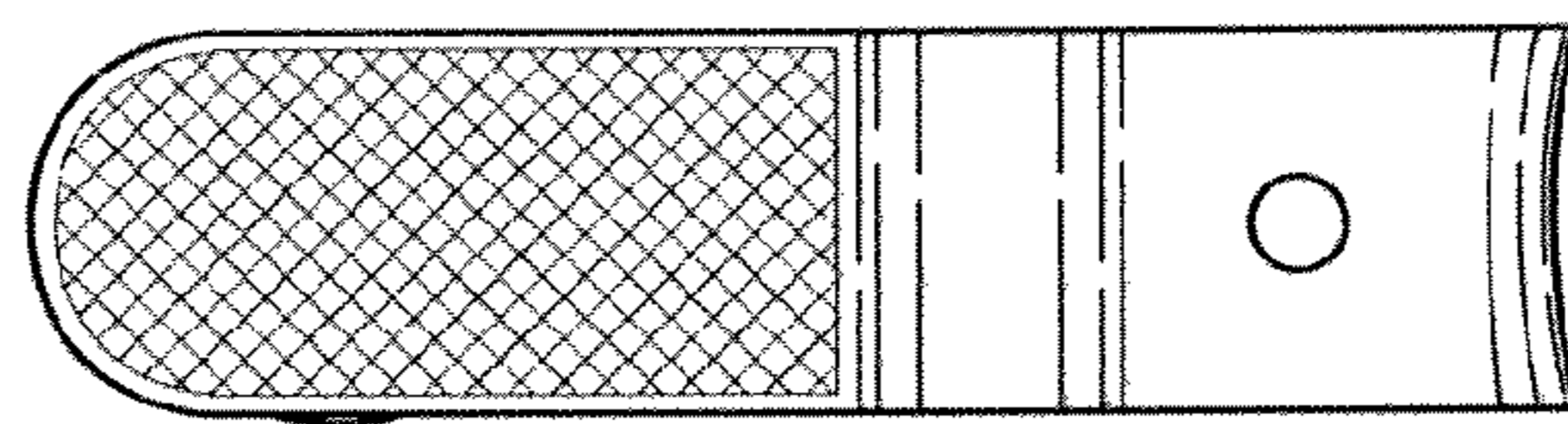


FIG. 12

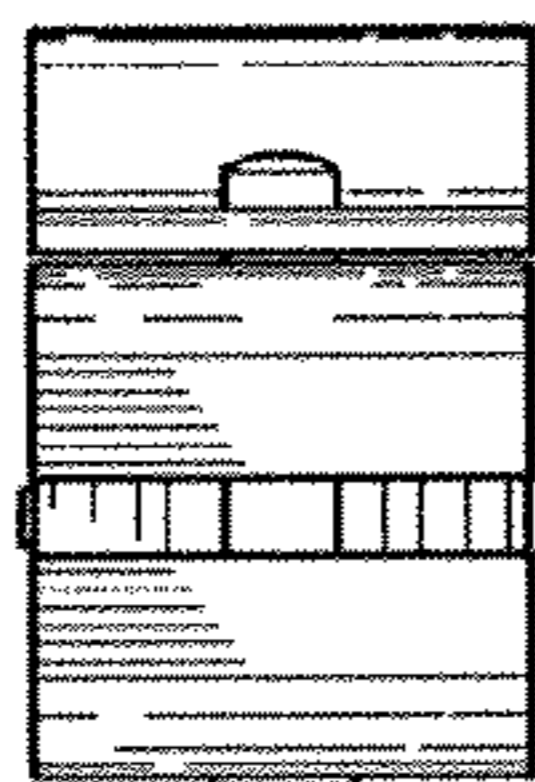


FIG. 13

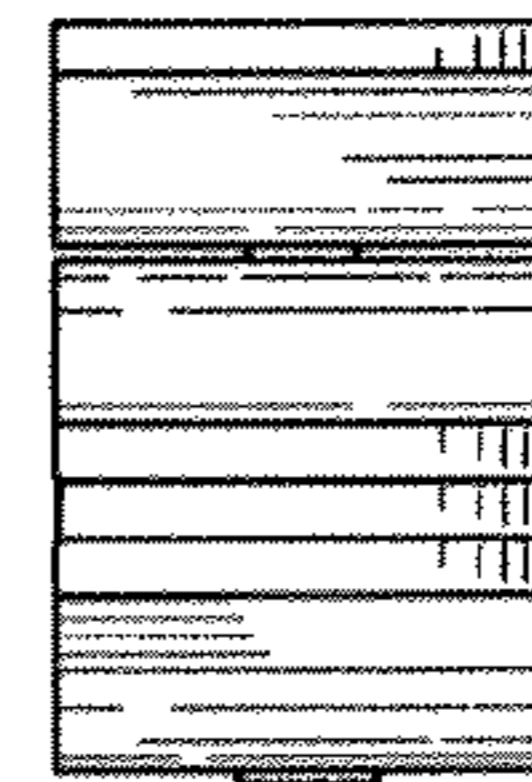


FIG. 14

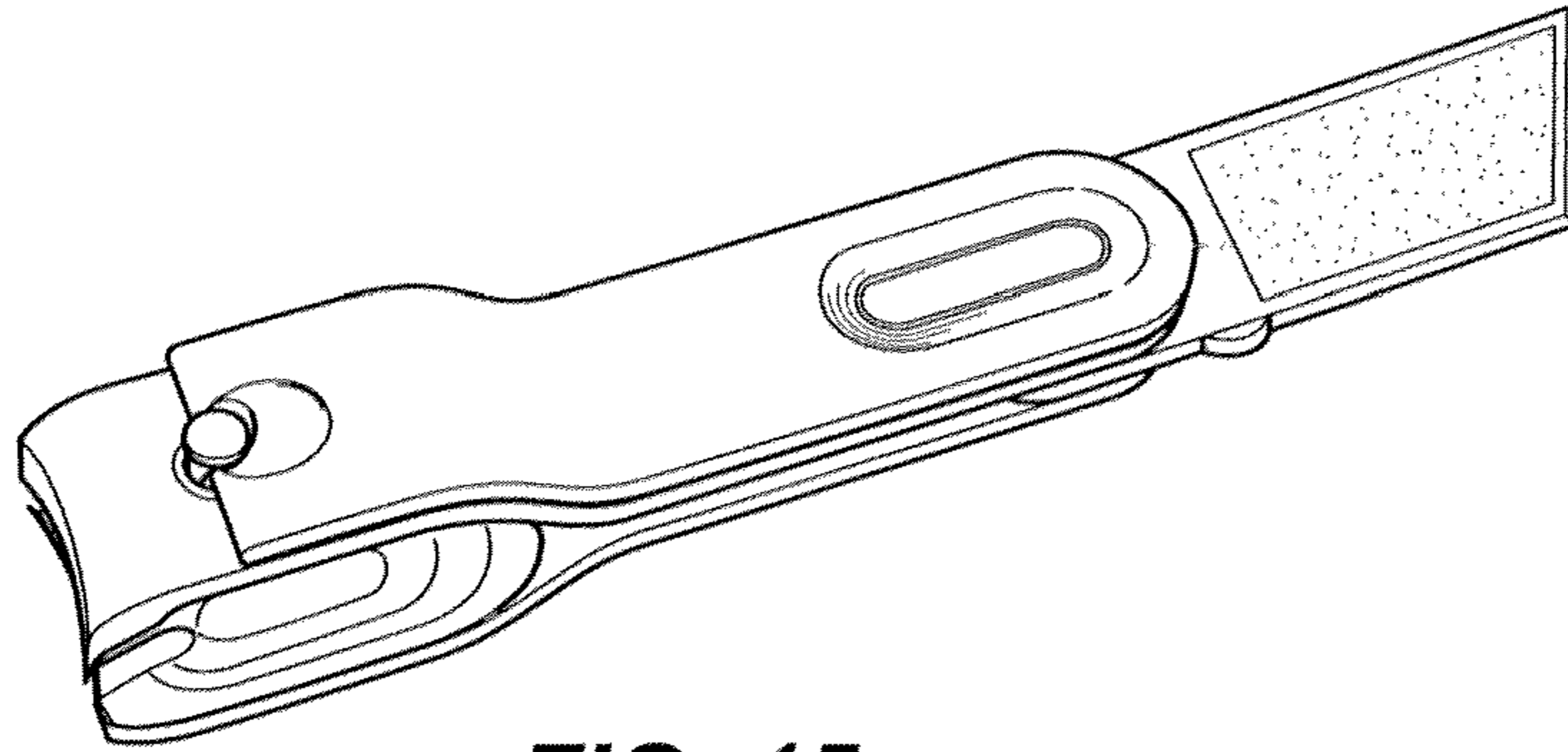


FIG. 15

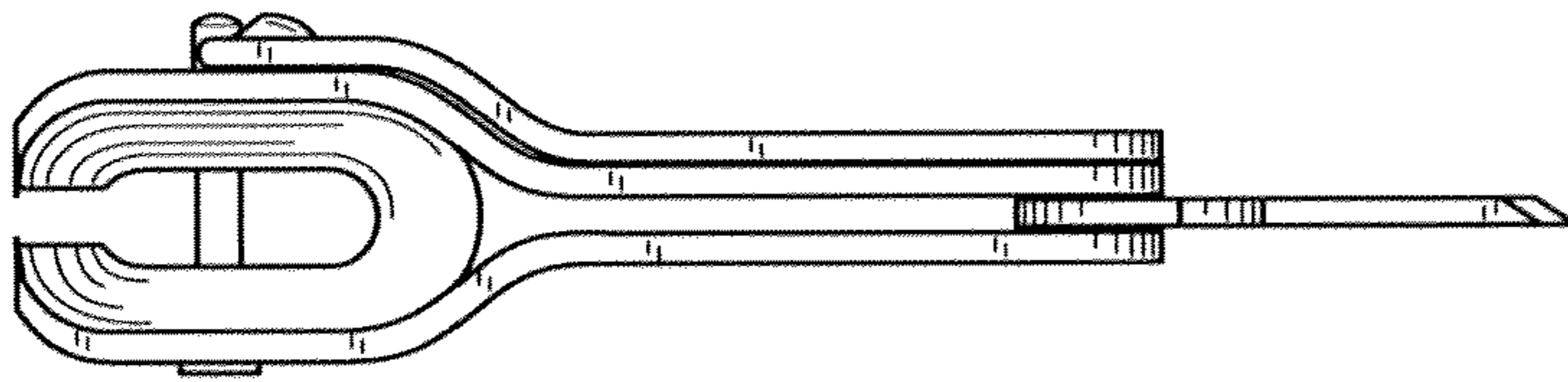


FIG. 16

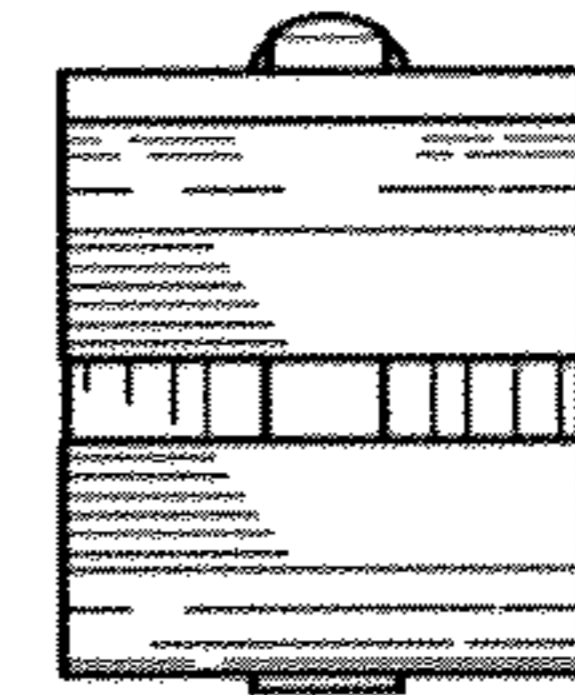


FIG. 20

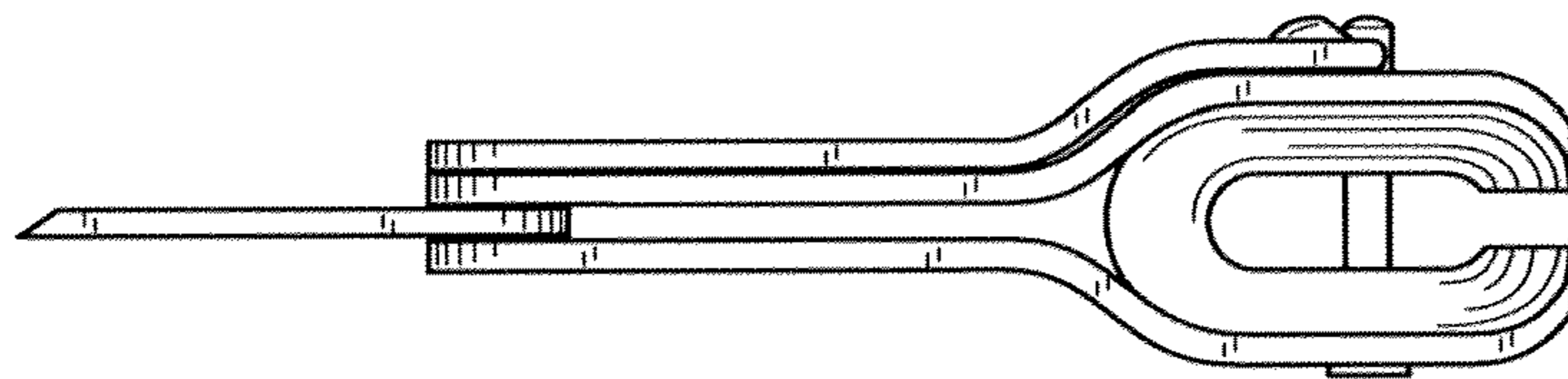


FIG. 17

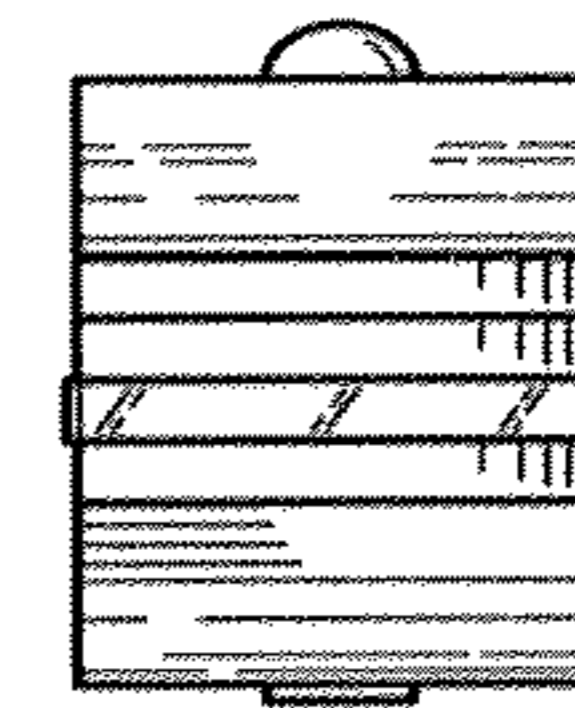


FIG. 21

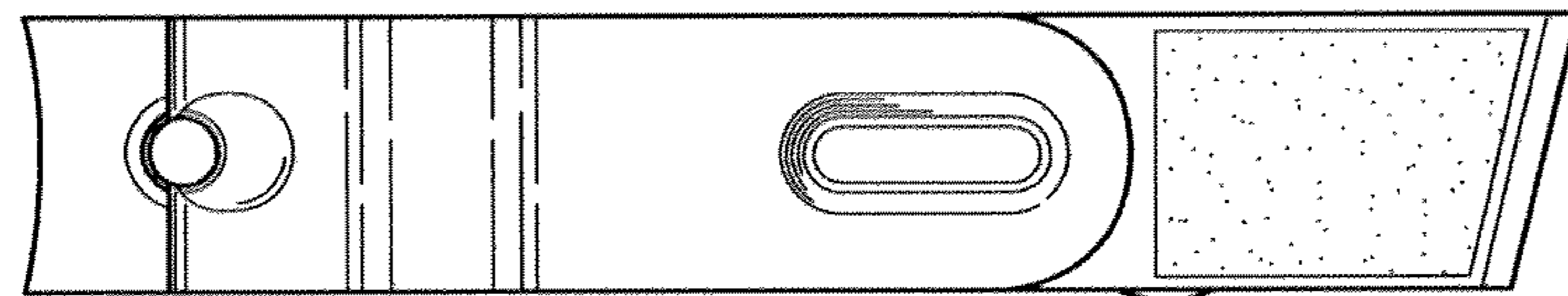


FIG. 18

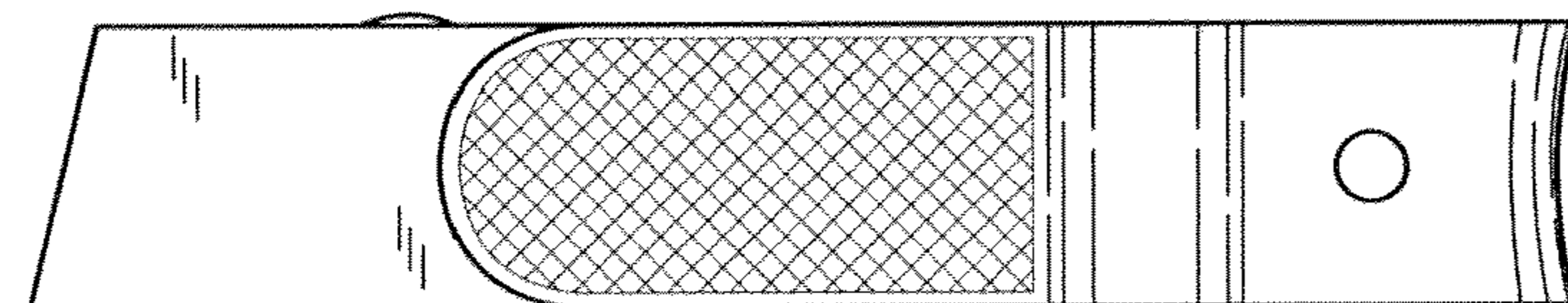


FIG. 19

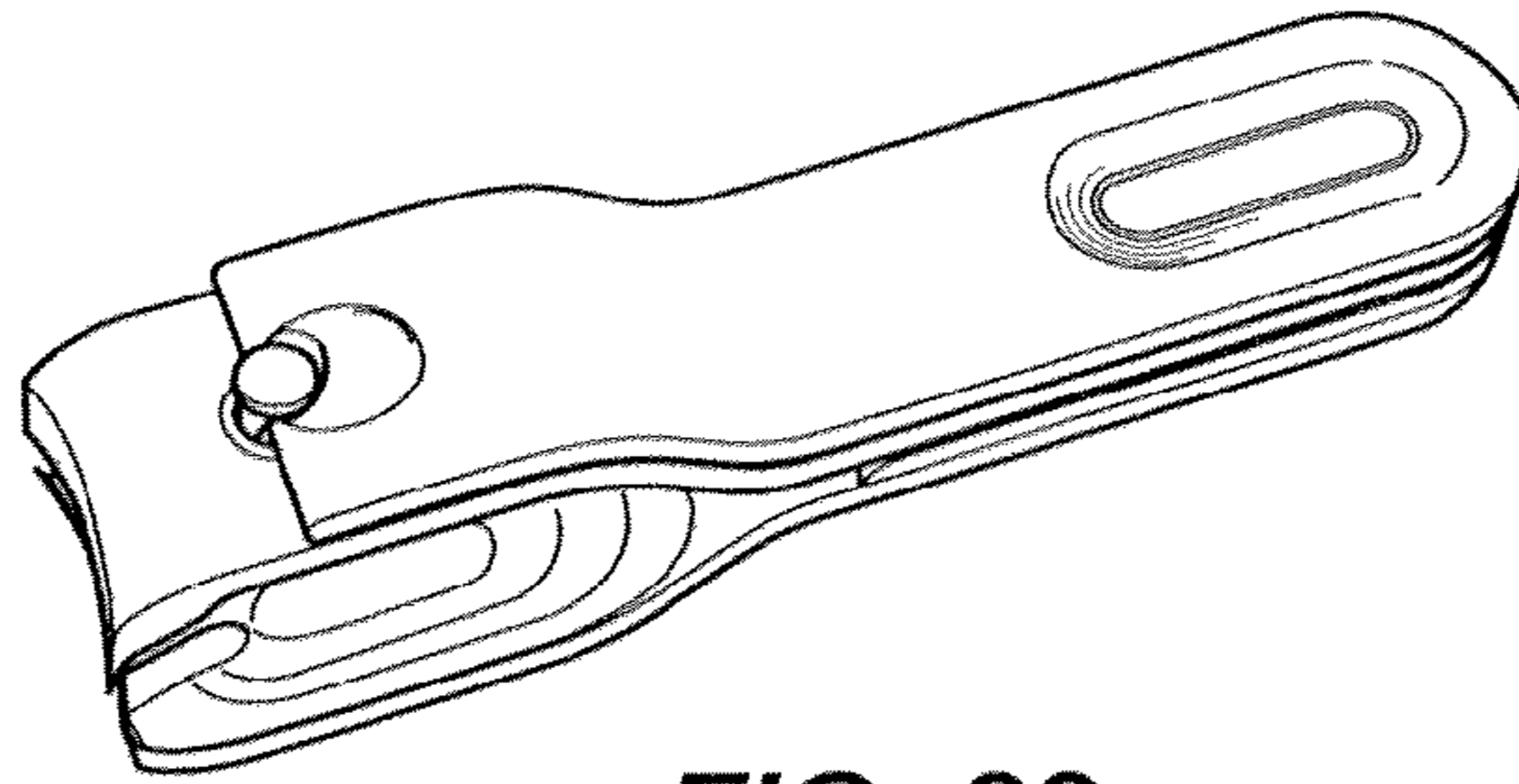


FIG. 22

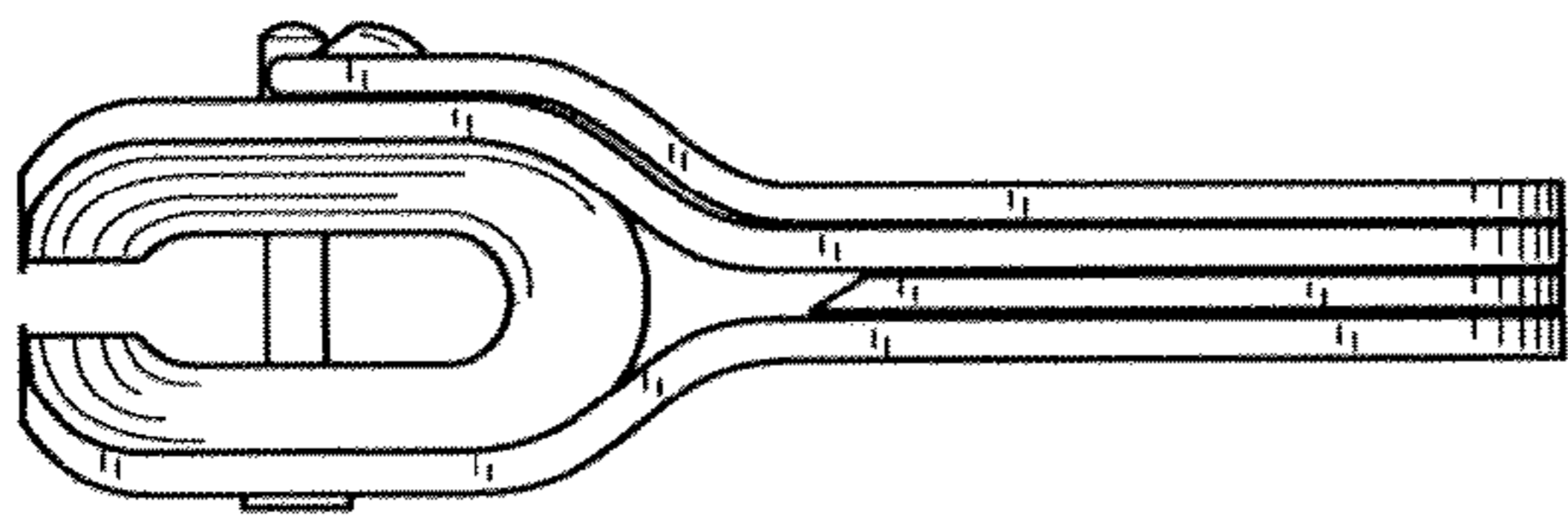


FIG. 23

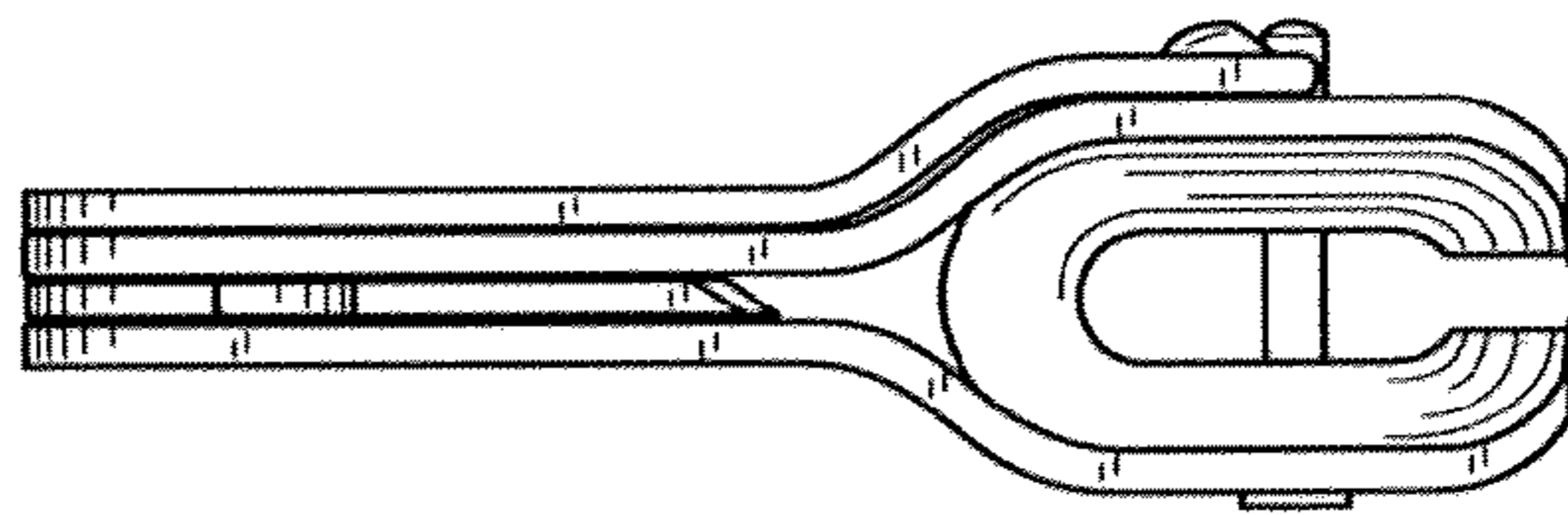


FIG. 24

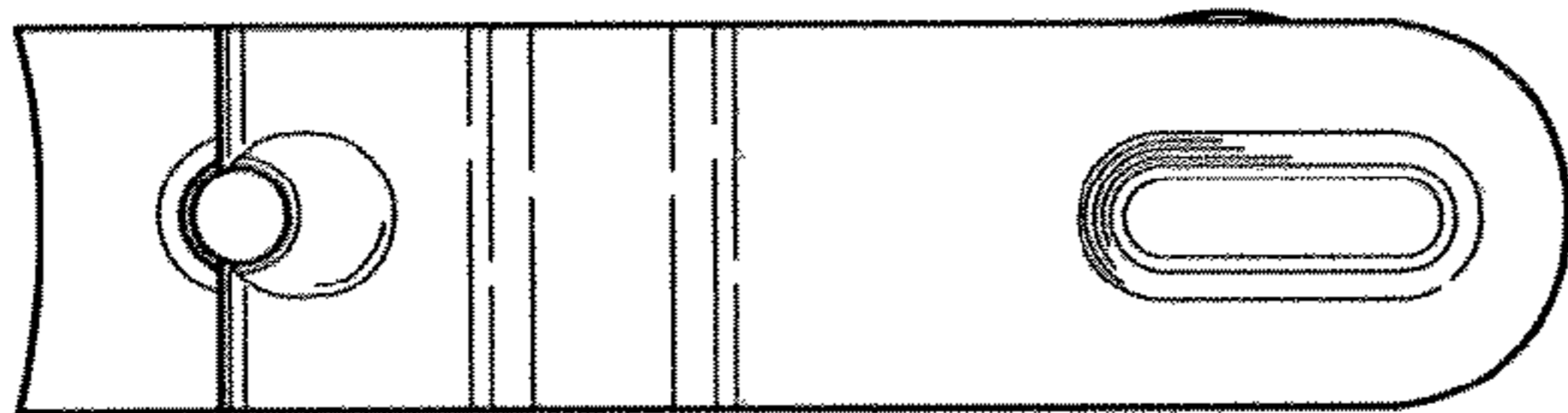


FIG. 25

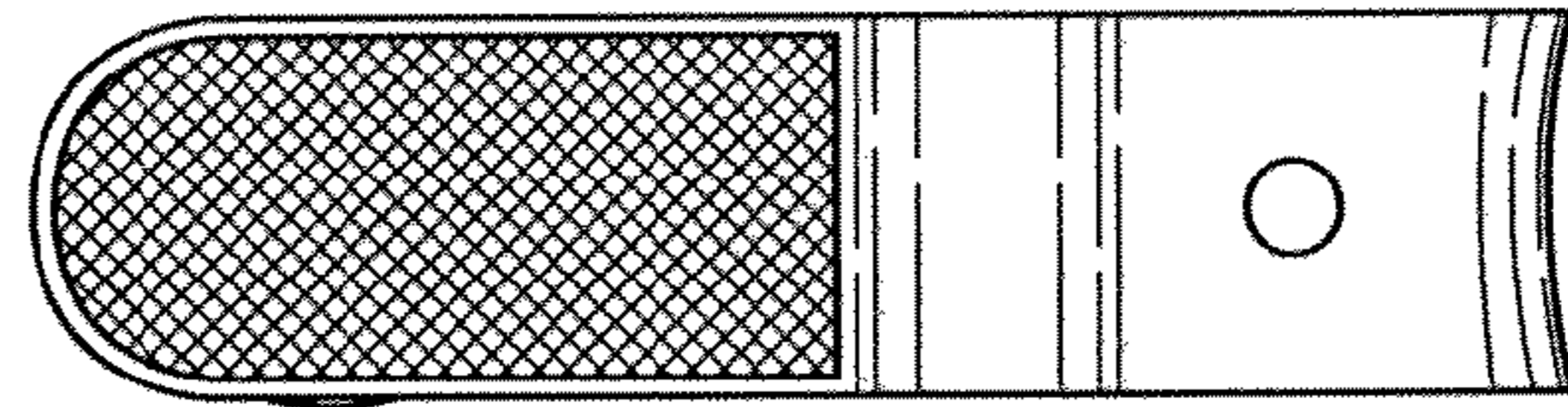


FIG. 26

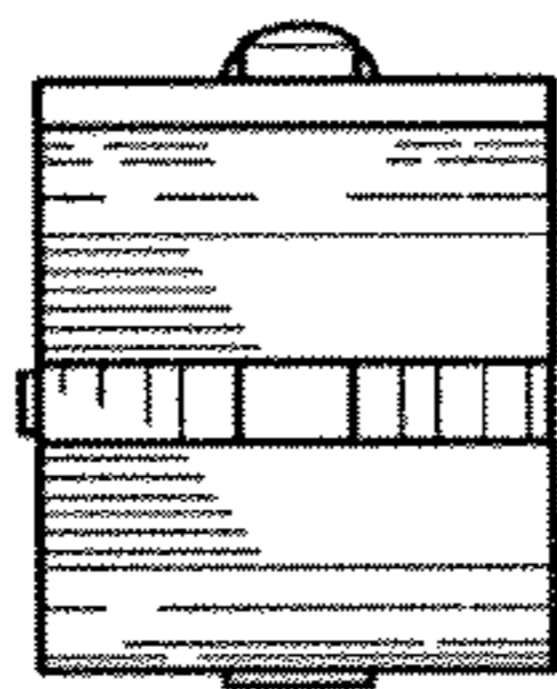


FIG. 27

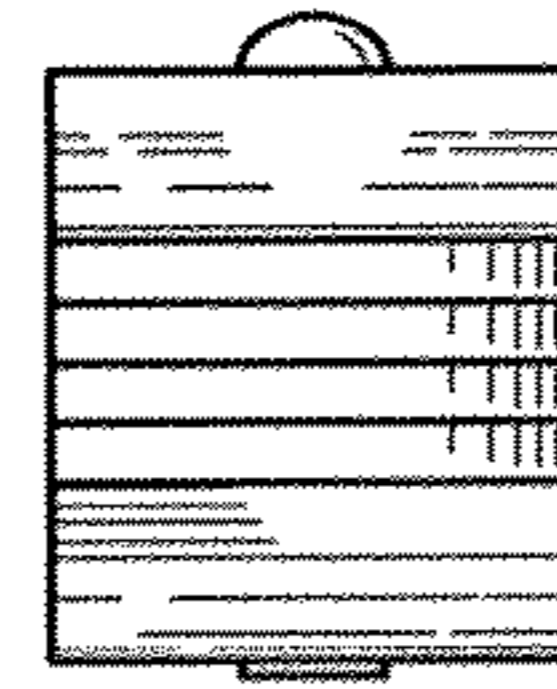


FIG. 28

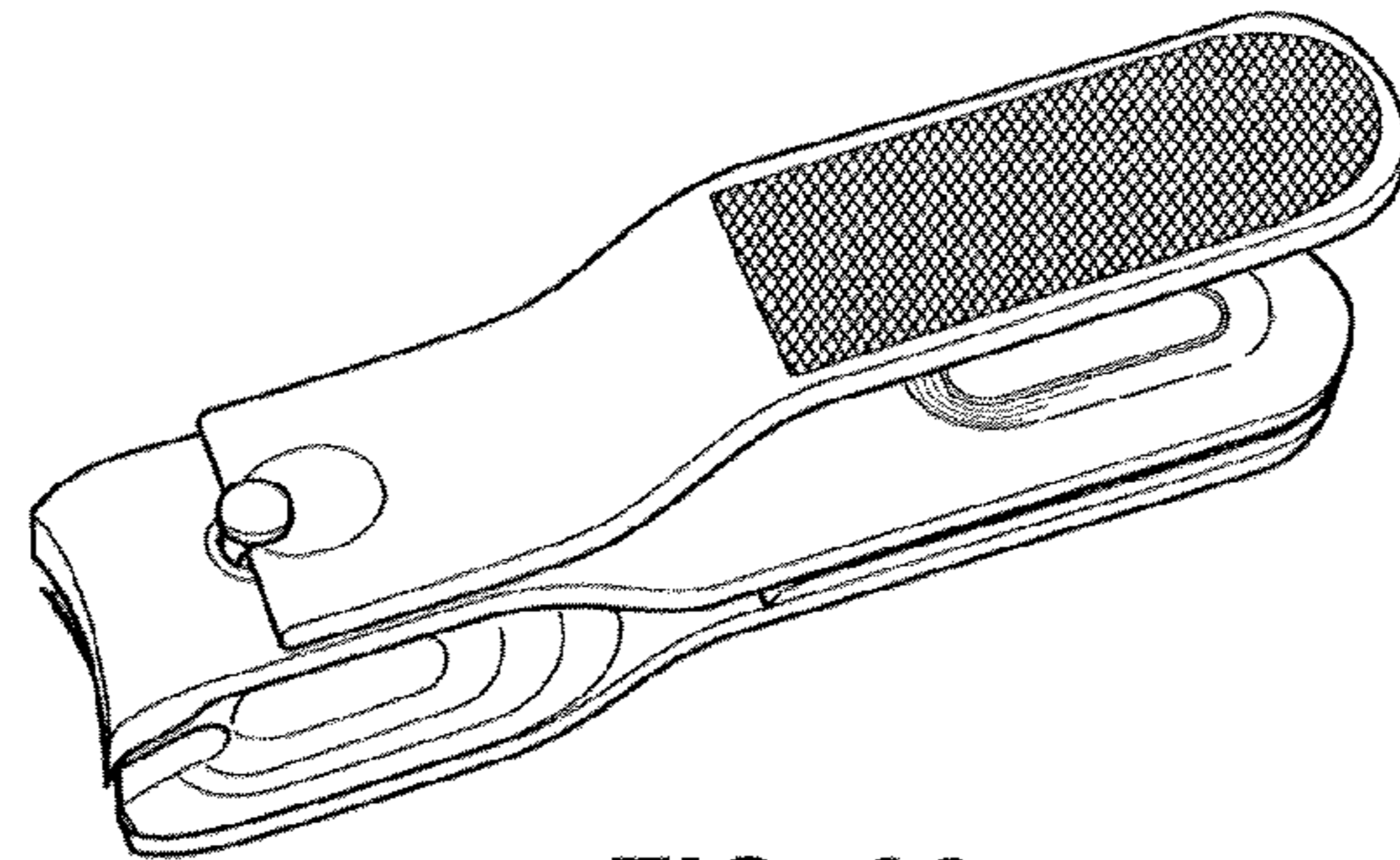


FIG. 29

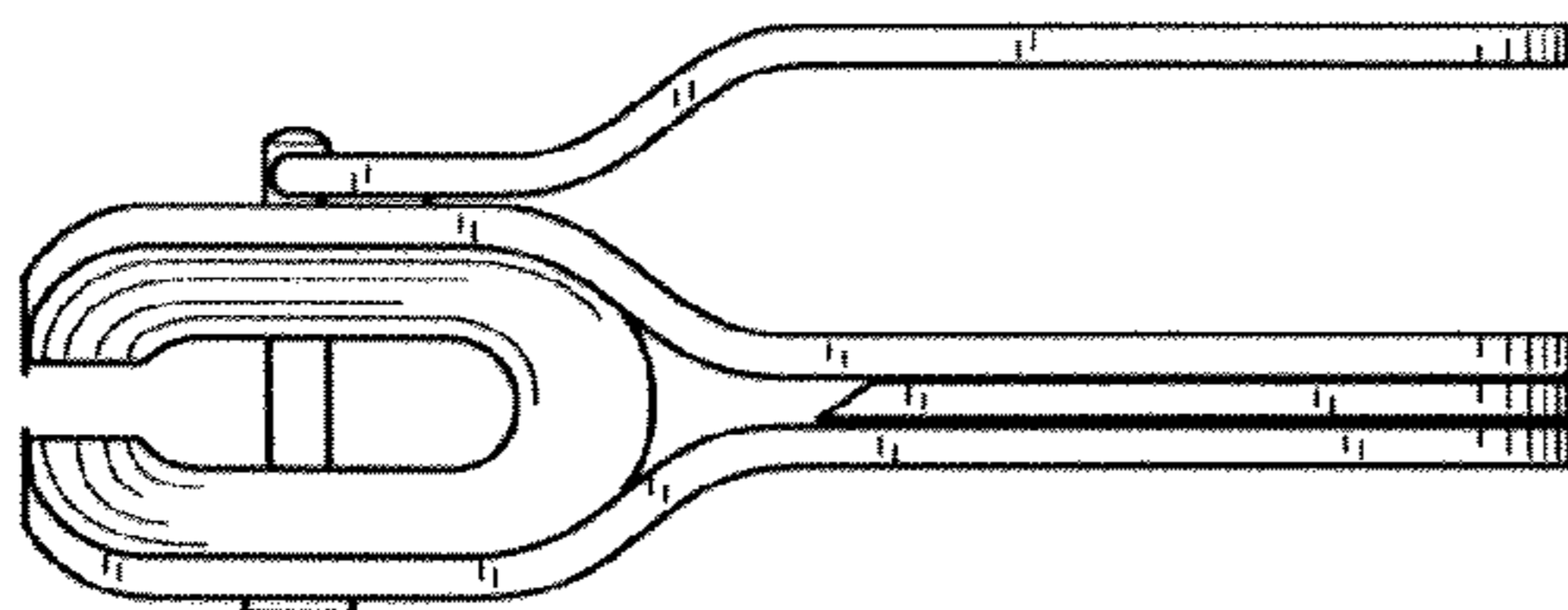


FIG. 30

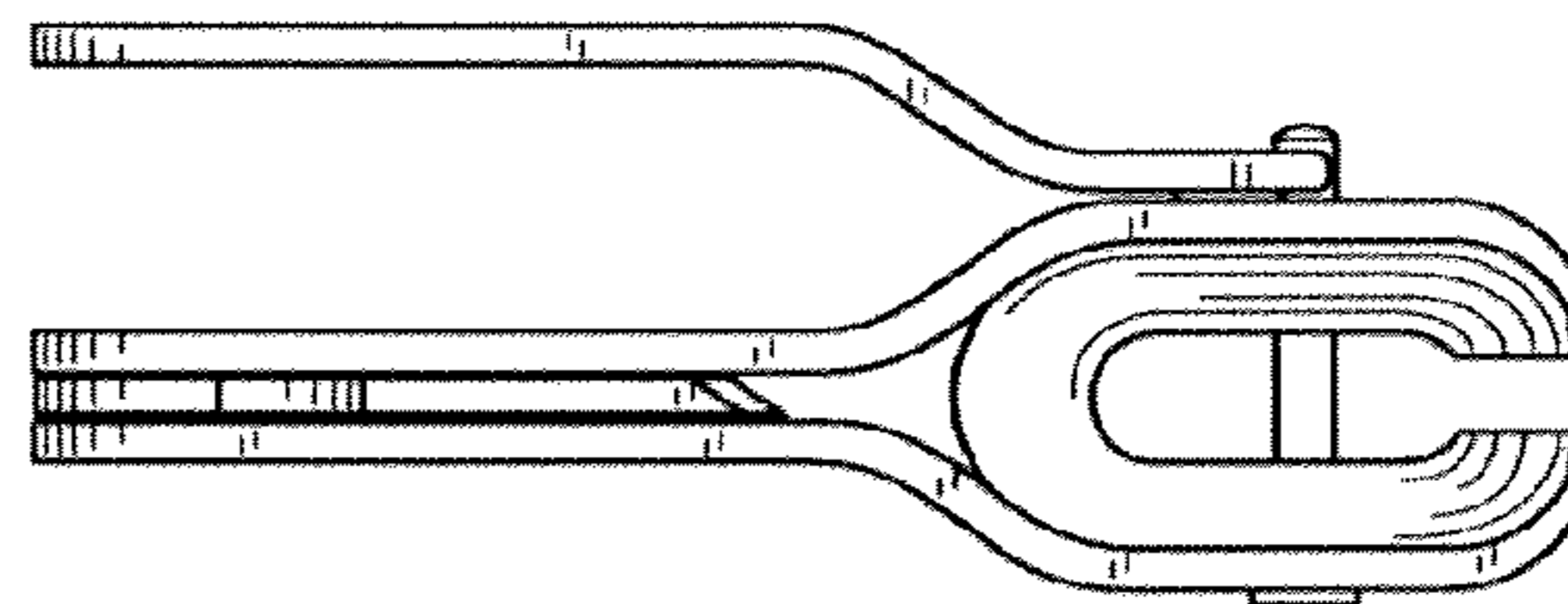


FIG. 31

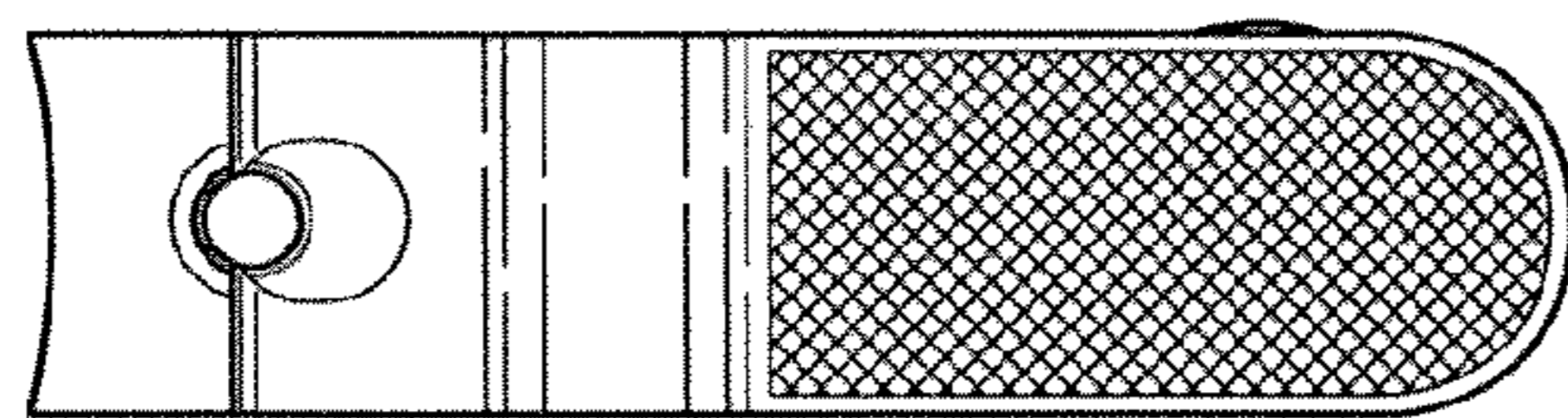


FIG. 32

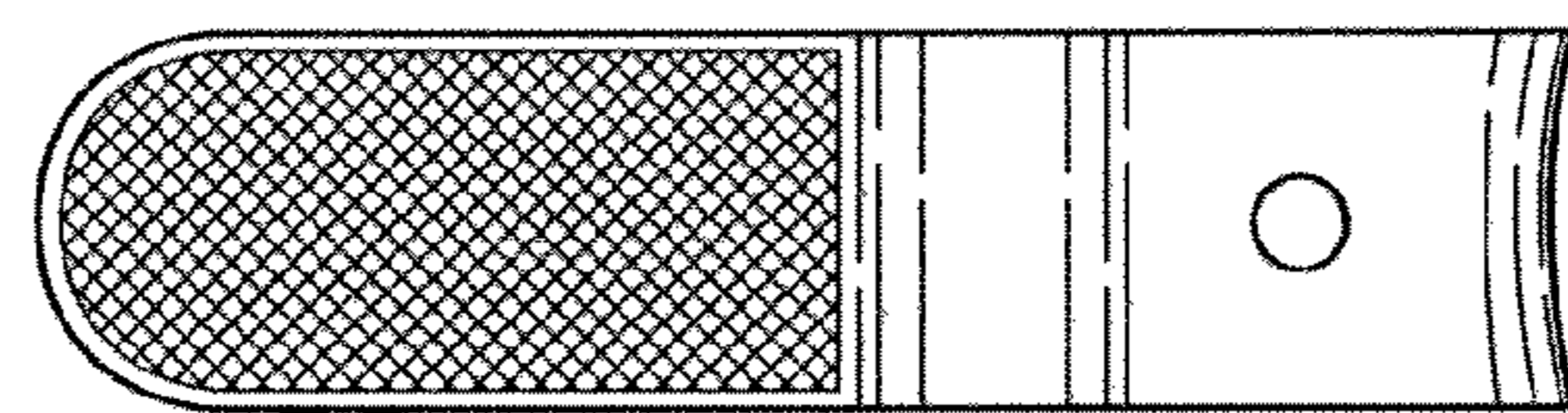


FIG. 33

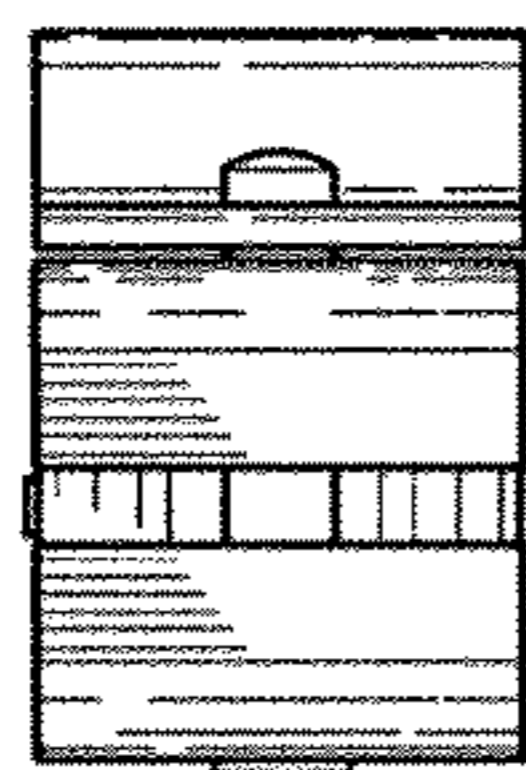


FIG. 34

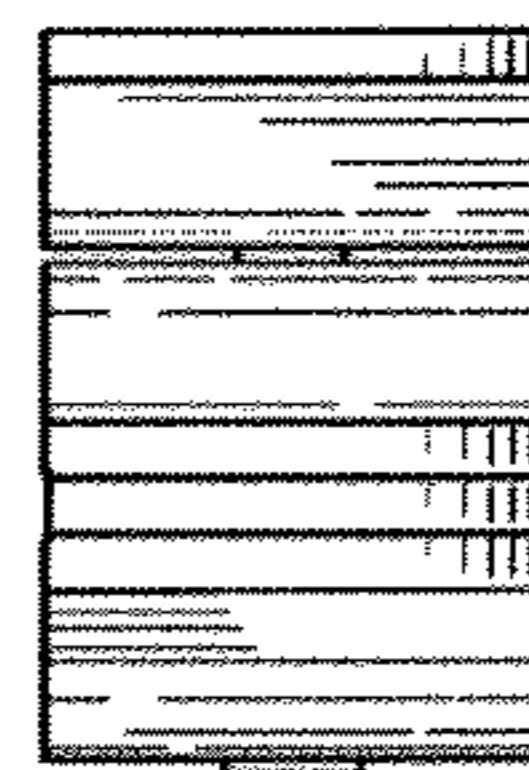


FIG. 35

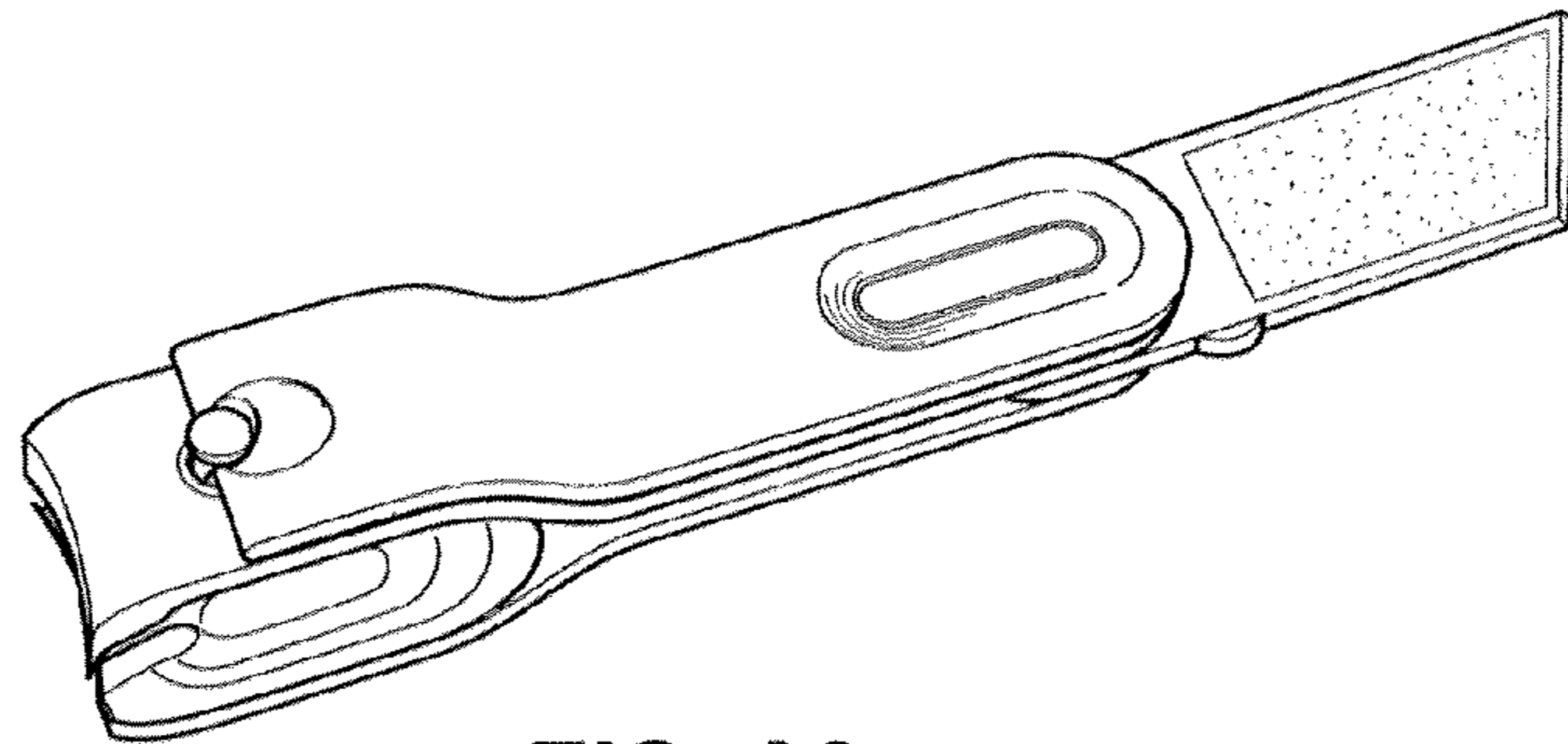


FIG. 36

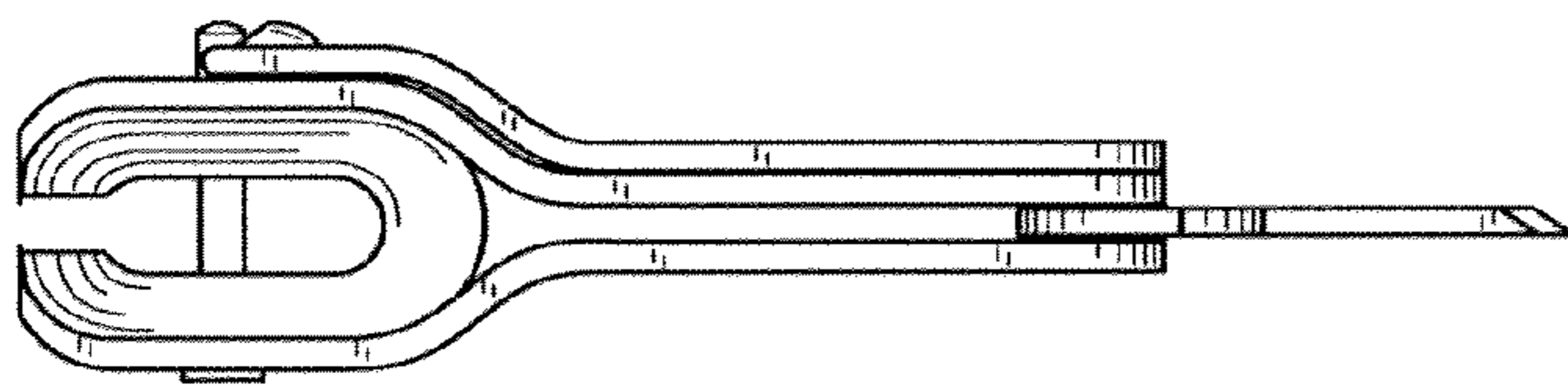


FIG. 37

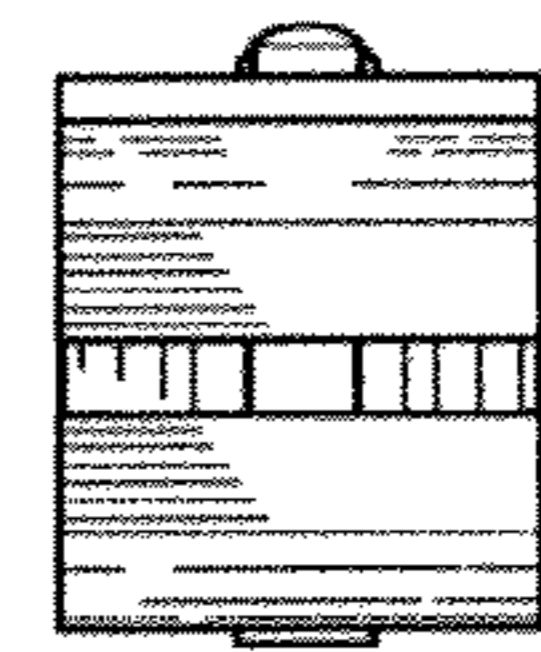


FIG. 41

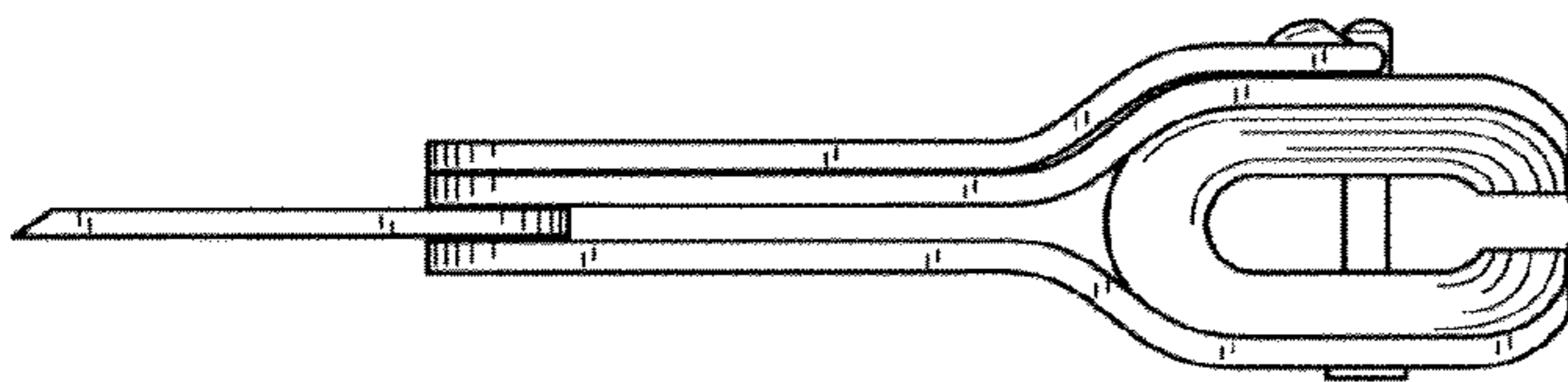


FIG. 38

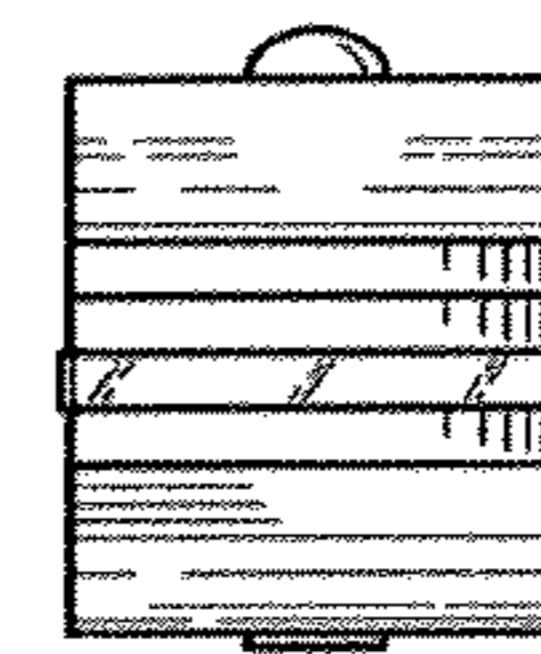


FIG. 42

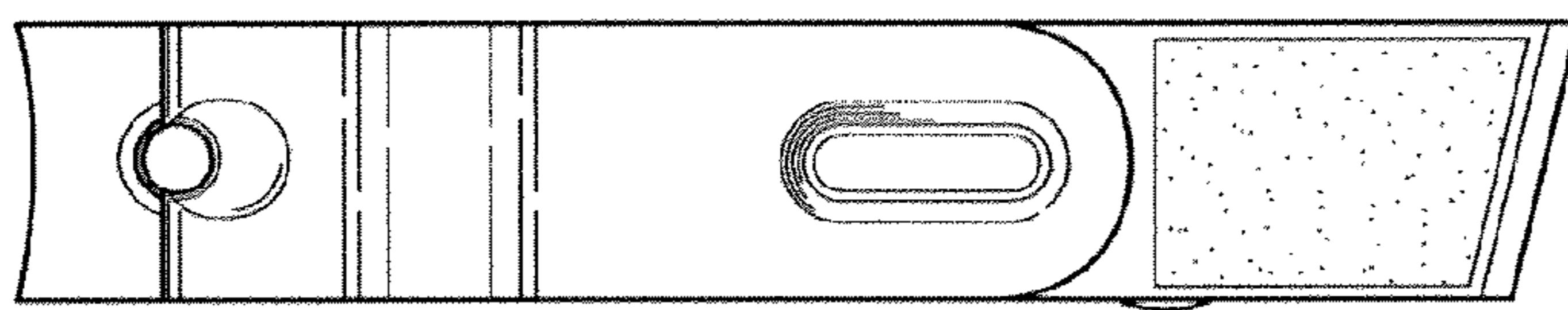


FIG. 39

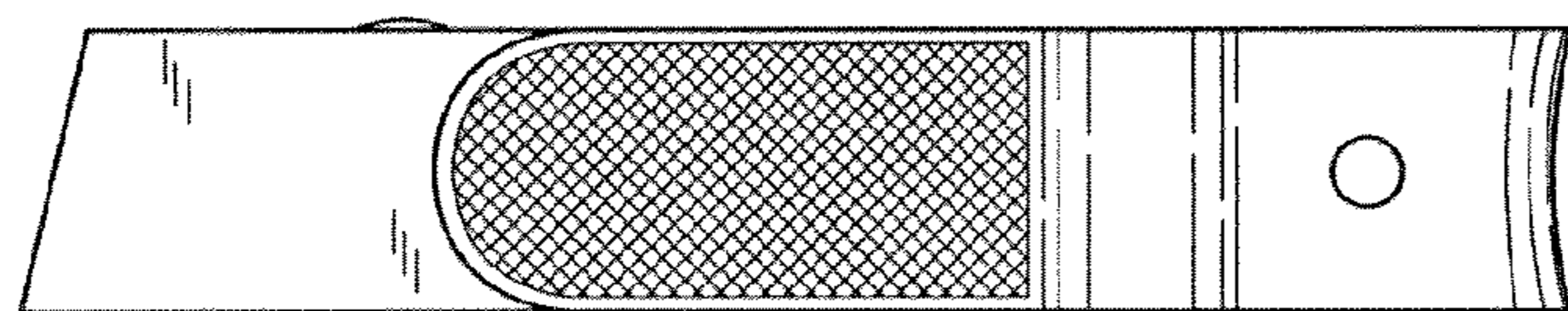


FIG. 40