



US00D559461S

(12) **United States Design Patent** (10) **Patent No.:** **US D559,461 S**
Garland et al. (45) **Date of Patent:** **** Jan. 8, 2008**

(54) **NAIL FILE**

(75) Inventors: **Tylor Garland**, Studio City, CA (US);
Patrick Burgess, Jalisco (MX); **Aldis Rauda**, West Hollywood, CA (US);
Stan Chudzik, Alpharetta, GA (US)

(73) Assignee: **Goody Products, Inc.**, Freeport, IL (US)

(**) Term: **14 Years**

(21) Appl. No.: **29/275,606**

(22) Filed: **Dec. 30, 2006**

(51) **LOC (8) Cl.** **28-03**

(52) **U.S. Cl.** **D28/59**

(58) **Field of Classification Search** 132/73,
132/73.5, 75.3, 75.6, 76.2, 76.4, 76.5; D28/56,
D28/57, 59

See application file for complete search history.

(56) **References Cited**

U.S. PATENT DOCUMENTS

| | | | | |
|---------------|---------|-----------------|-------|----------|
| D170,035 S * | 7/1953 | Troya | | D28/59 |
| D203,793 S * | 2/1966 | Leopoldi | | D28/59 |
| 4,683,898 A * | 8/1987 | Lojovich | | 132/76.4 |
| D328,654 S * | 8/1992 | Mizobata et al. | | D28/59 |
| D448,119 S * | 9/2001 | Neues | | D28/57 |
| D513,093 S * | 12/2005 | Kim | | D28/59 |

* cited by examiner

Primary Examiner—Jennifer Rivard
(74) *Attorney, Agent, or Firm*—Marshall, Gerstein & Borun LLP

(57) **CLAIM**

The ornamental design for a “nail file,” as shown and described.

DESCRIPTION

FIG. 1 is a perspective view from the rear and right of the first embodiment of a nail file having our new design;

FIG. 2 is a right side elevational view thereof;

FIG. 3 is a left side elevational view thereof;

FIG. 4 is a front view thereof;

FIG. 5 is a rear view thereof;

FIG. 6 is a top plan view thereof;

FIG. 7 is a bottom plan view thereof;

FIG. 8 is a perspective view from the rear and right of the second embodiment of a nail file having our new design;

FIG. 9 is a right side elevational view thereof;

FIG. 10 is a left side elevational view thereof;

FIG. 11 is a front view thereof;

FIG. 12 is a rear view thereof;

FIG. 13 is a top plan view thereof; and,

FIG. 14 is a bottom plan view thereof.

1 Claim, 2 Drawing Sheets

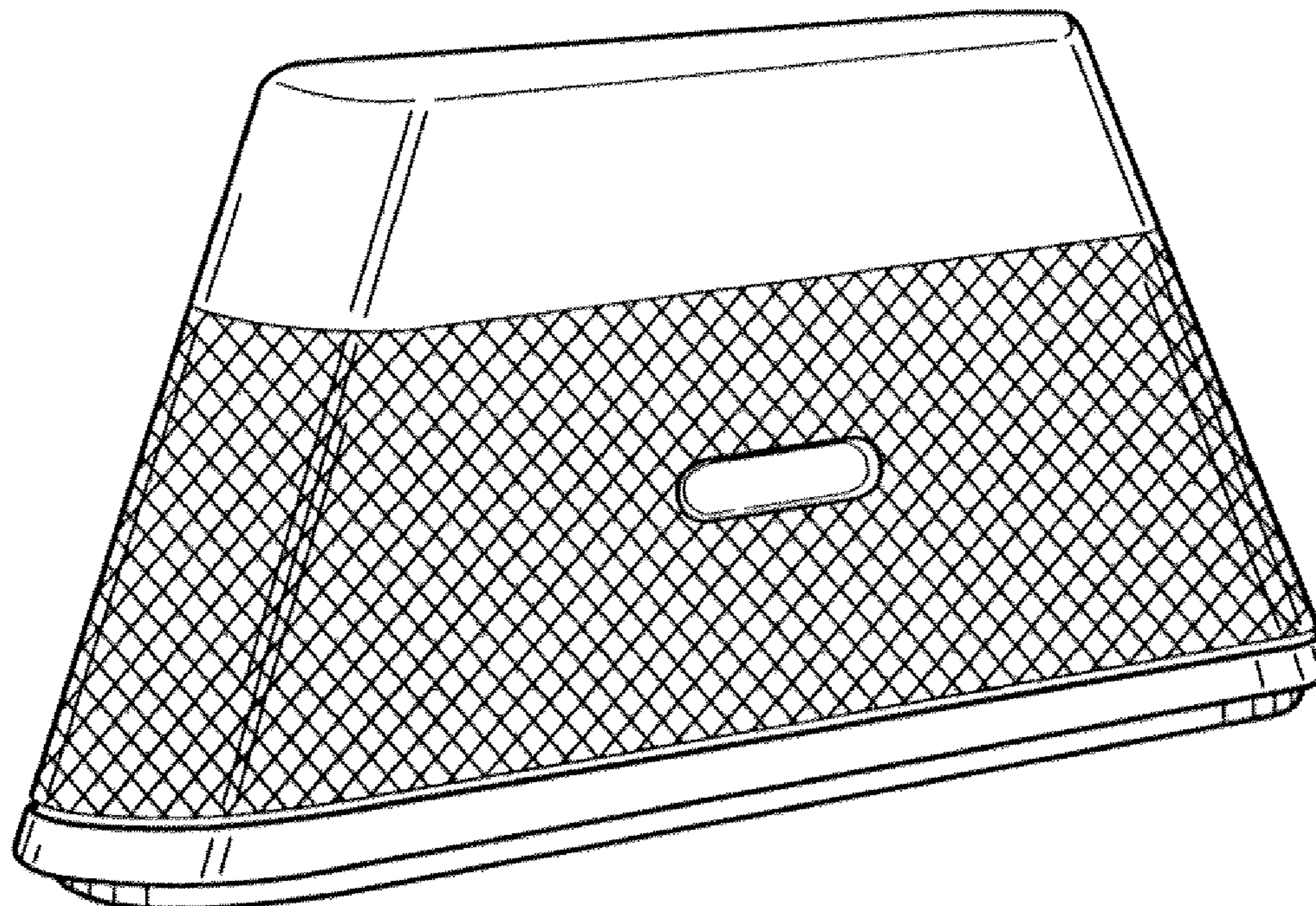


FIG. 1

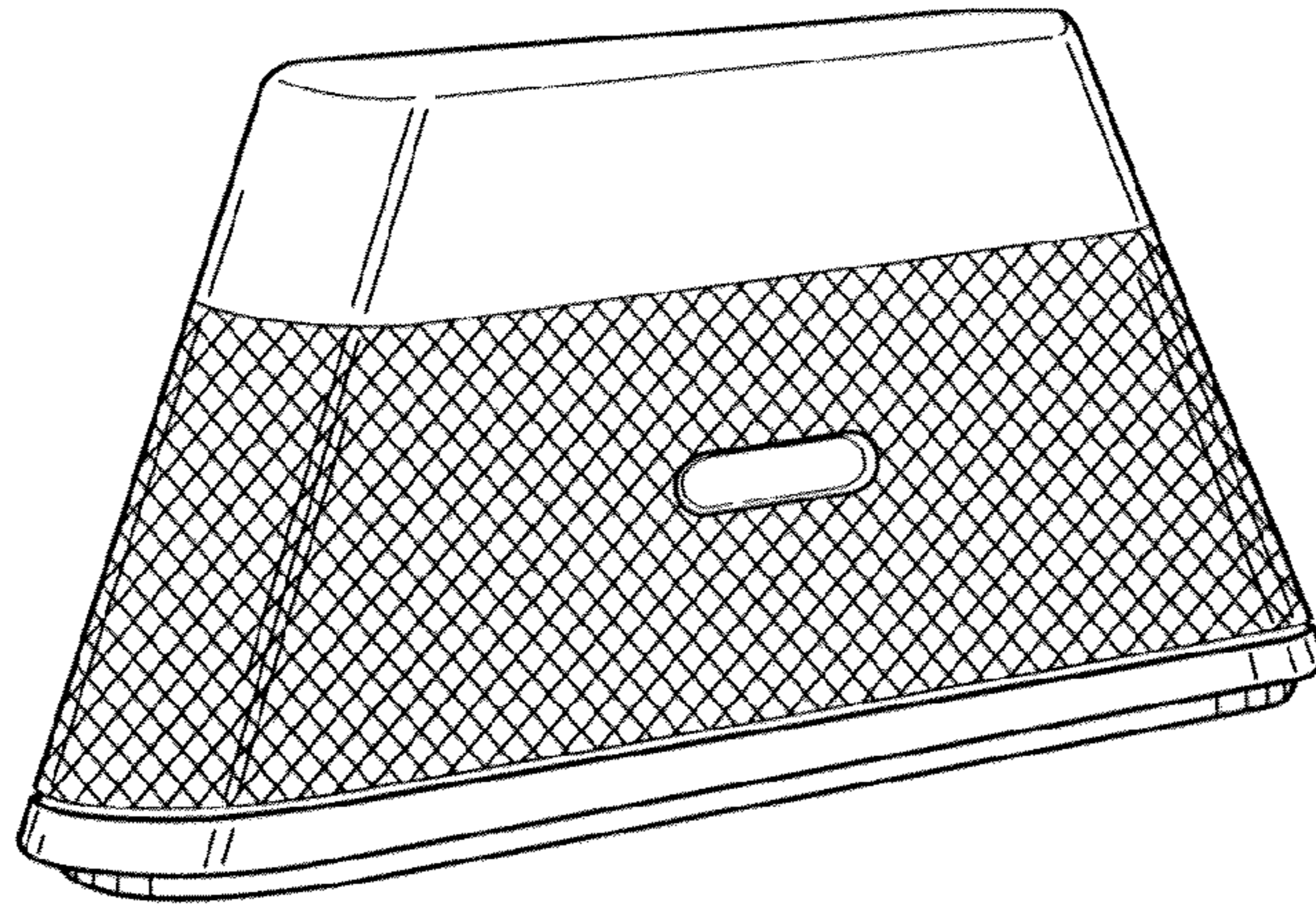


FIG. 2

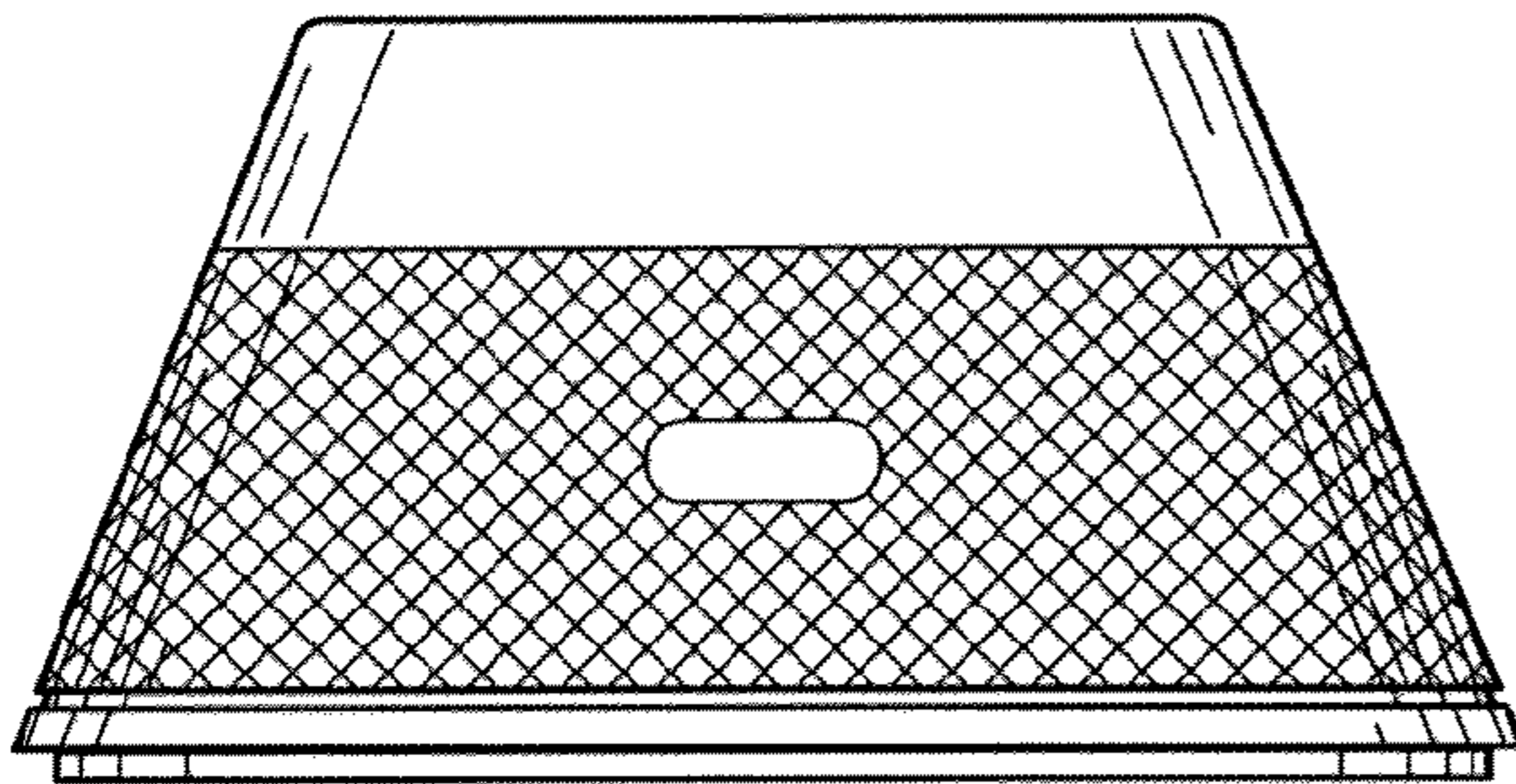


FIG. 3

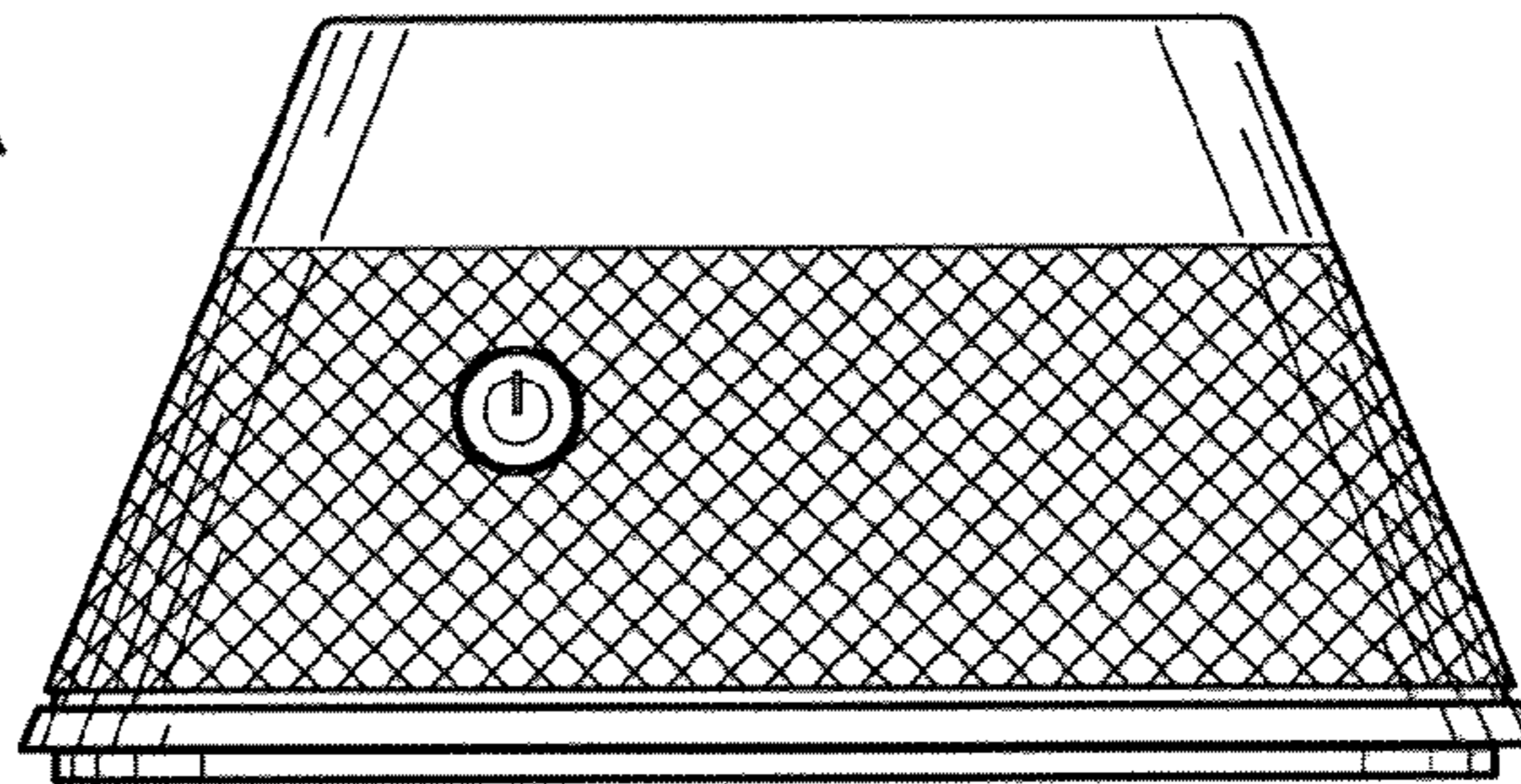


FIG. 4

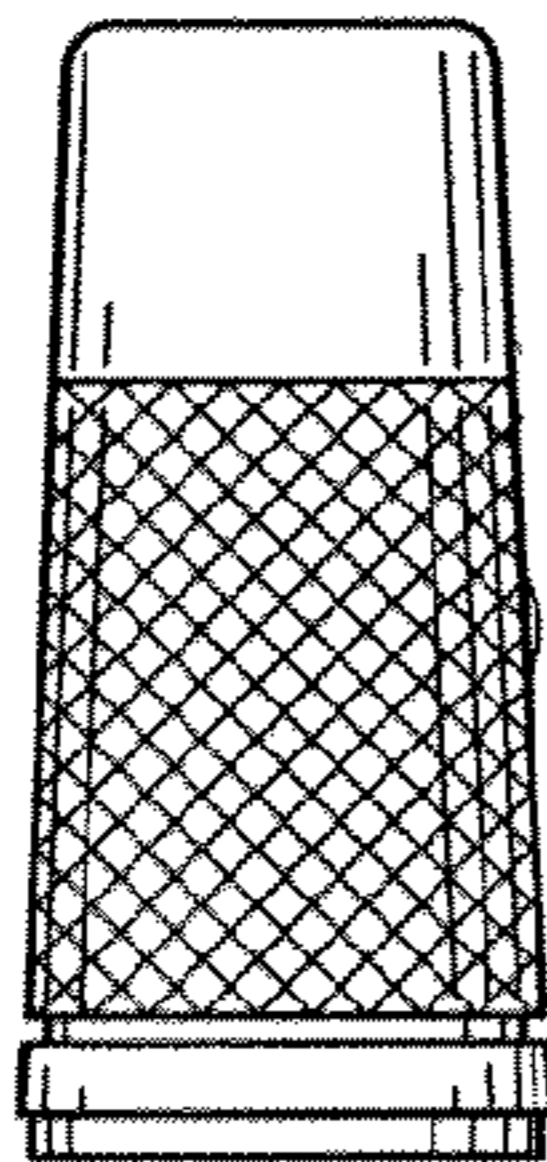


FIG. 5

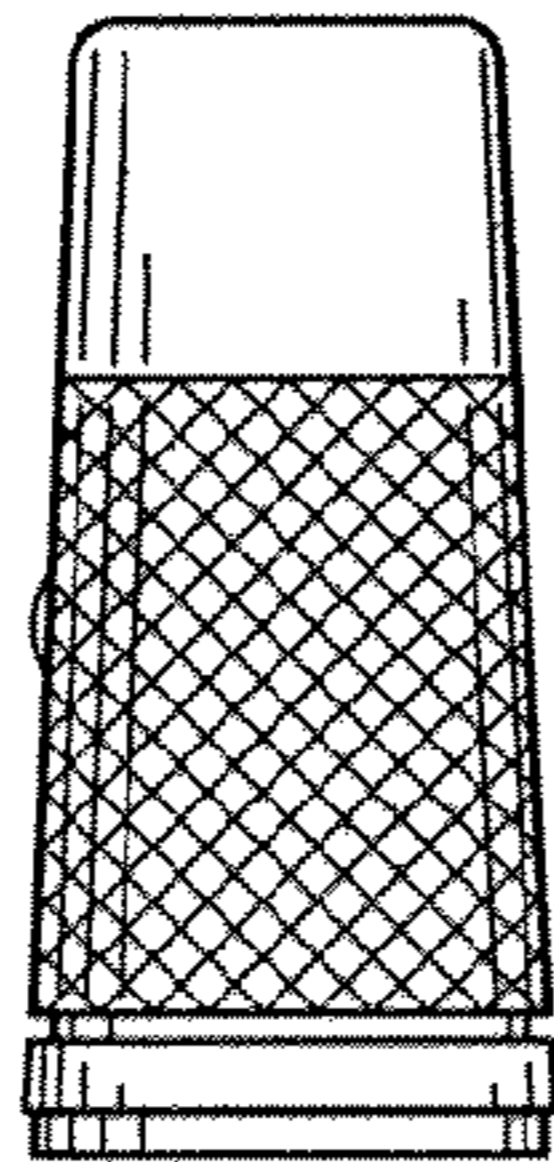


FIG. 6

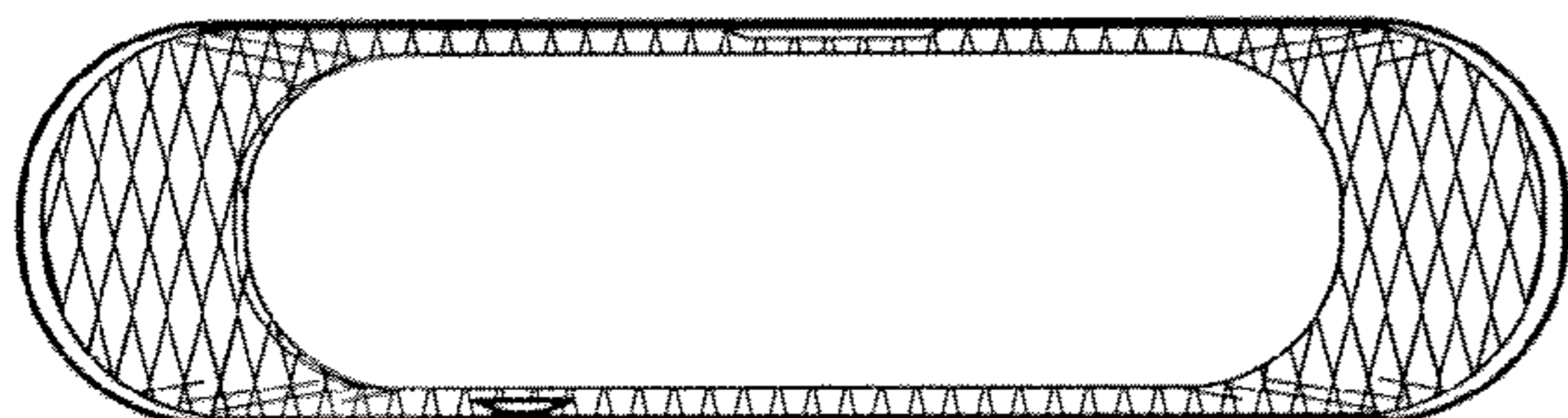


FIG. 7

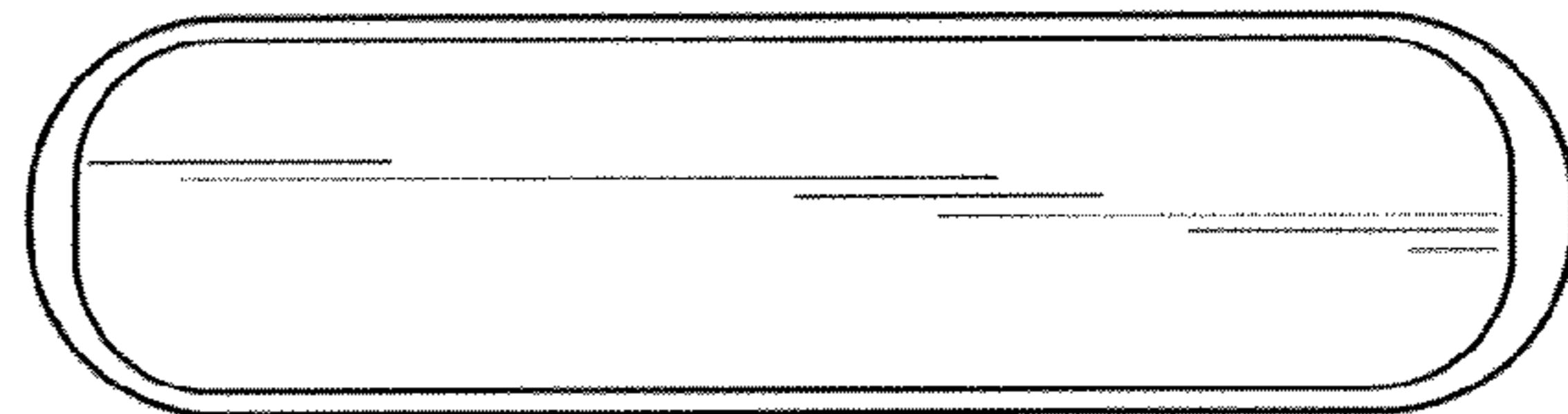


FIG. 8

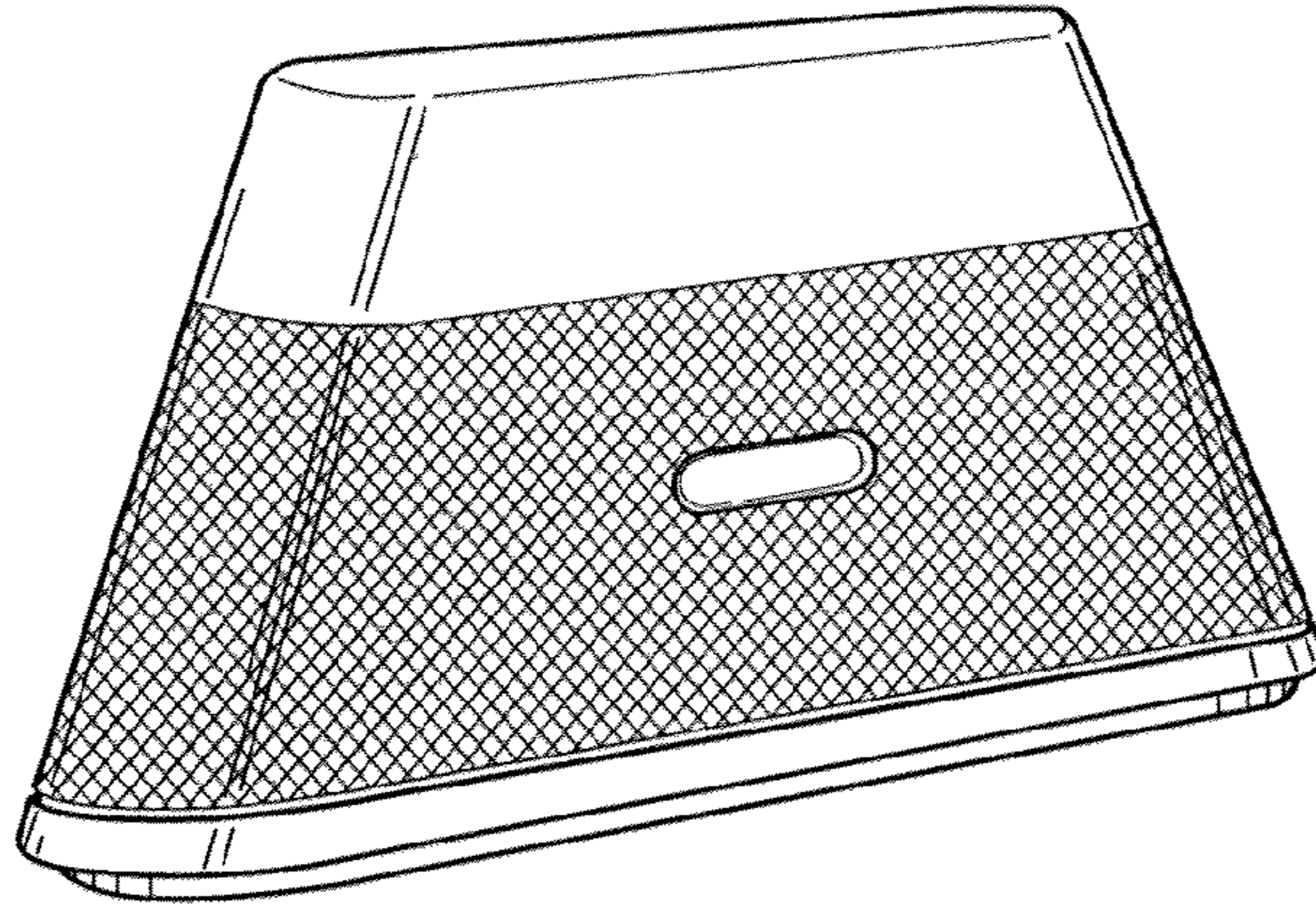


FIG. 9

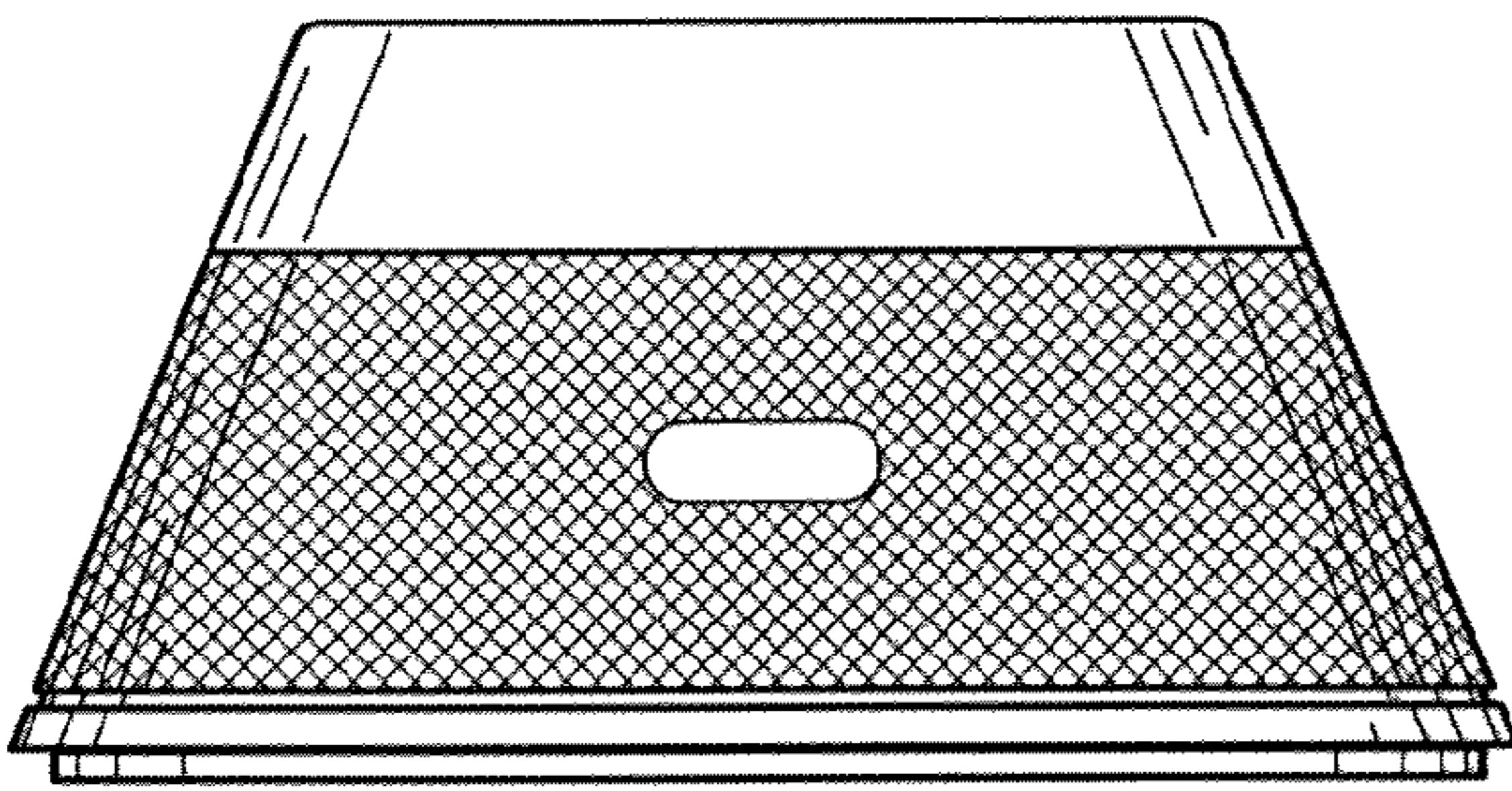


FIG. 10

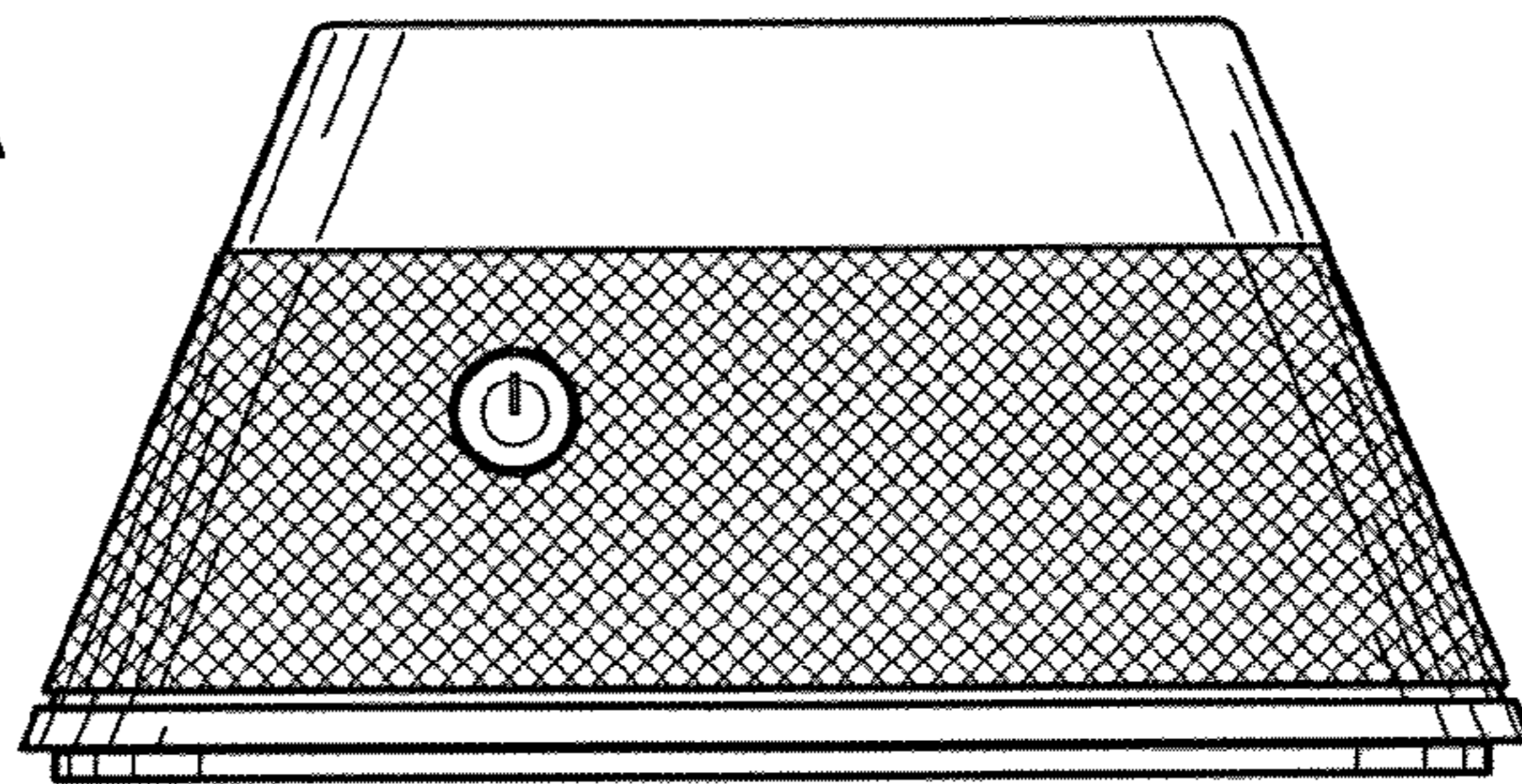


FIG. 11

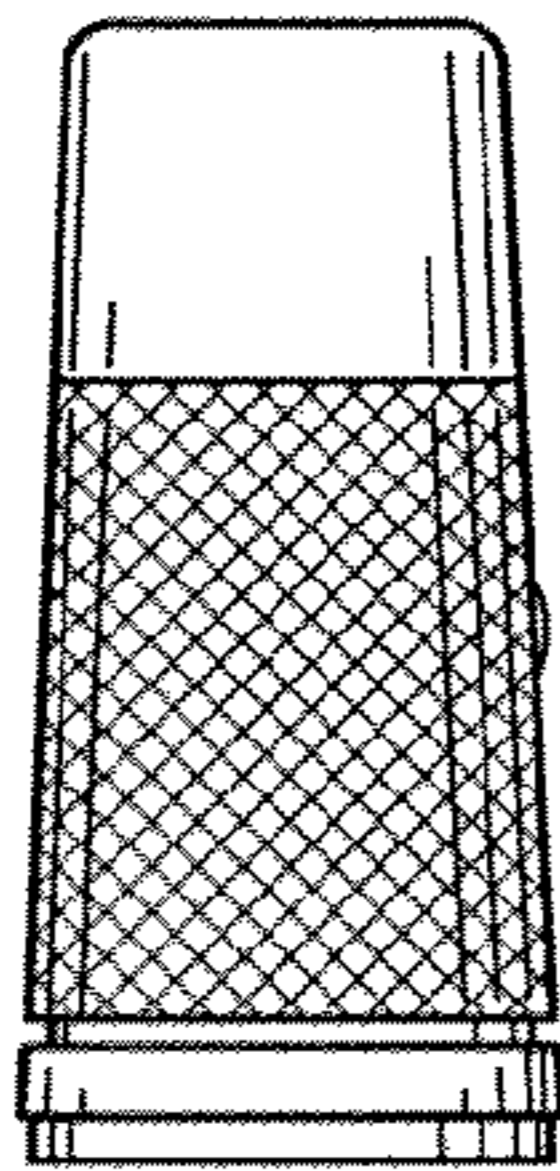


FIG. 12

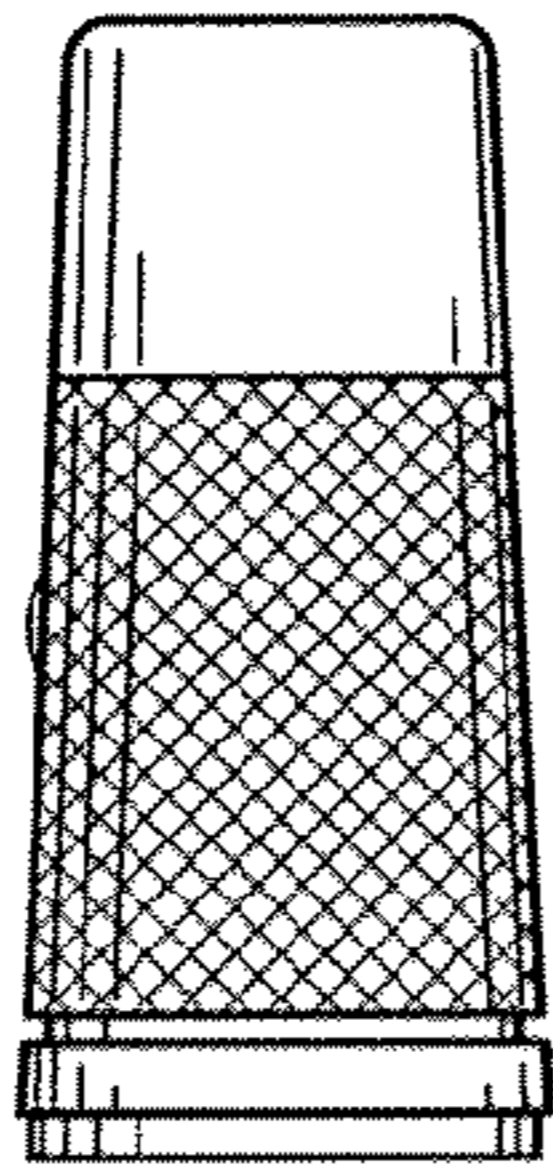


FIG. 13

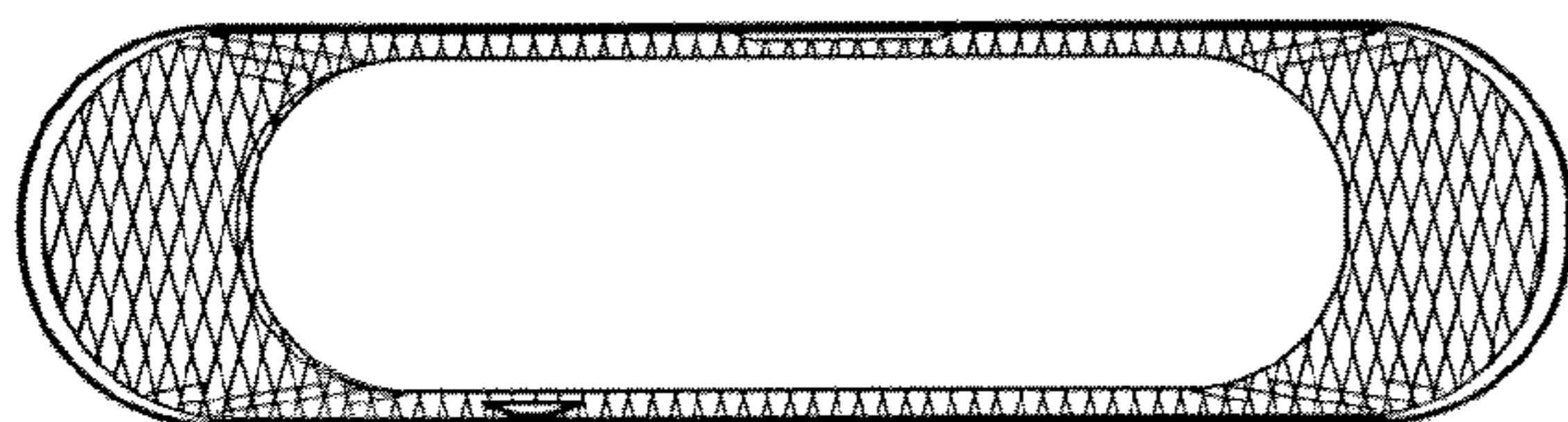


FIG. 14

