



US00D559458S

(12) **United States Design Patent**
Garland et al.

(10) **Patent No.:** **US D559,458 S**

(45) **Date of Patent:** **** Jan. 8, 2008**

(54) **TWEEZER**

(75) Inventors: **Tylor Garland**, Studio City, CA (US);
Patrick Burgess, Jalisco (MX); **Aldis Rauda**, West Hollywood, CA (US);
Stan Chudzik, Alpharetta, GA (US)

(73) Assignee: **Goody Products, Inc.**, Freeport, IL (US)

(**) Term: **14 Years**

(21) Appl. No.: **29/275,603**

(22) Filed: **Dec. 30, 2006**

(51) **LOC (8) Cl.** **28-03**

(52) **U.S. Cl.** **D28/55**

(58) **Field of Classification Search** D28/55;
D24/143; 606/210, 211; 294/99.2

See application file for complete search history.

(56) **References Cited**

U.S. PATENT DOCUMENTS

D272,664 S *	2/1984	Jones	D28/55
D452,935 S *	1/2002	Grisoni	D28/55
D515,742 S *	2/2006	Anderson et al.	D28/55
D532,932 S *	11/2006	Shih	D28/55

* cited by examiner

Primary Examiner—Jennifer Rivard

(74) *Attorney, Agent, or Firm*—Marshall, Gerstein & Borun LLP

(57) **CLAIM**

The ornamental design for a “tweezer,” as shown and described.

DESCRIPTION

FIG. 1 is a perspective view from the front and left of the first embodiment of a tweezer having our new design;

FIG. 2 is a front view thereof;

FIG. 3 is a rear view thereof;

FIG. 4 is a left side elevational view thereof;

FIG. 5 is a right side elevational view thereof;

FIG. 6 is a top view thereof;

FIG. 7 is a bottom view thereof;

FIG. 8 is a perspective view from the front and left of the second embodiment of a tweezer having our new design;

FIG. 9 is a front view thereof;

FIG. 10 is a rear view thereof;

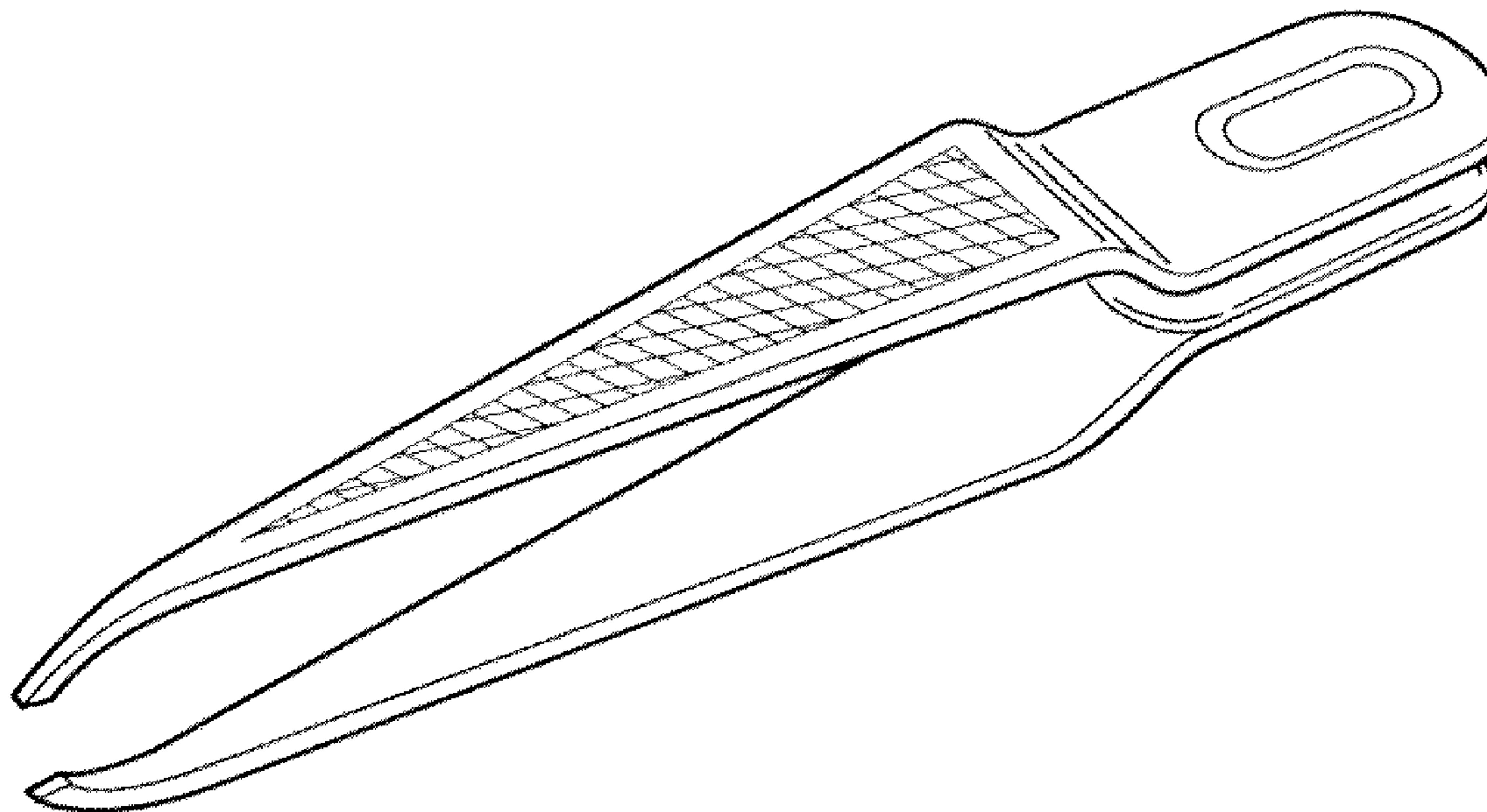
FIG. 11 is a left side elevational view thereof;

FIG. 12 is a right side elevational view thereof;

FIG. 13 is a top view thereof; and,

FIG. 14 is a bottom view thereof.

1 Claim, 2 Drawing Sheets



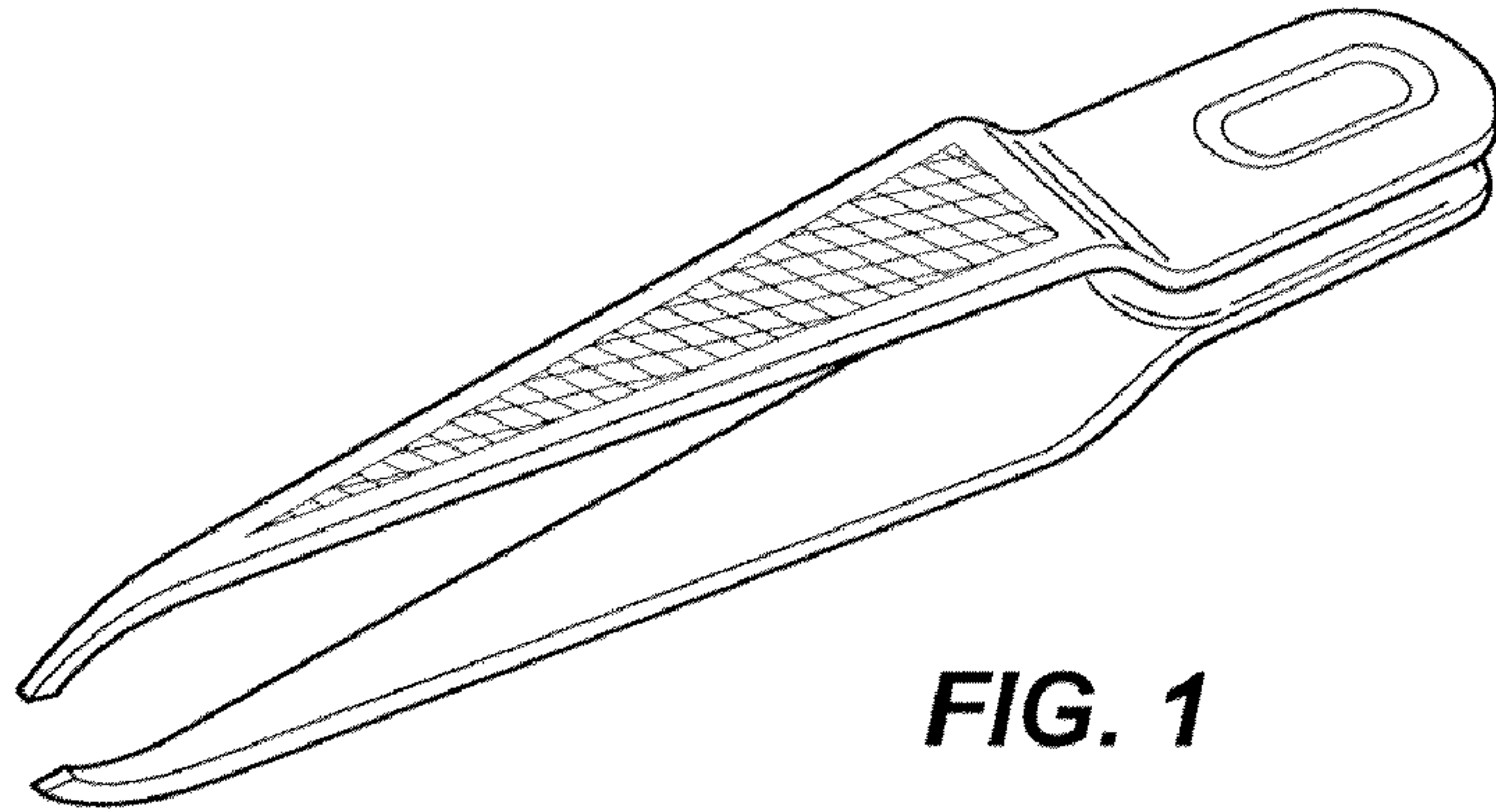


FIG. 1

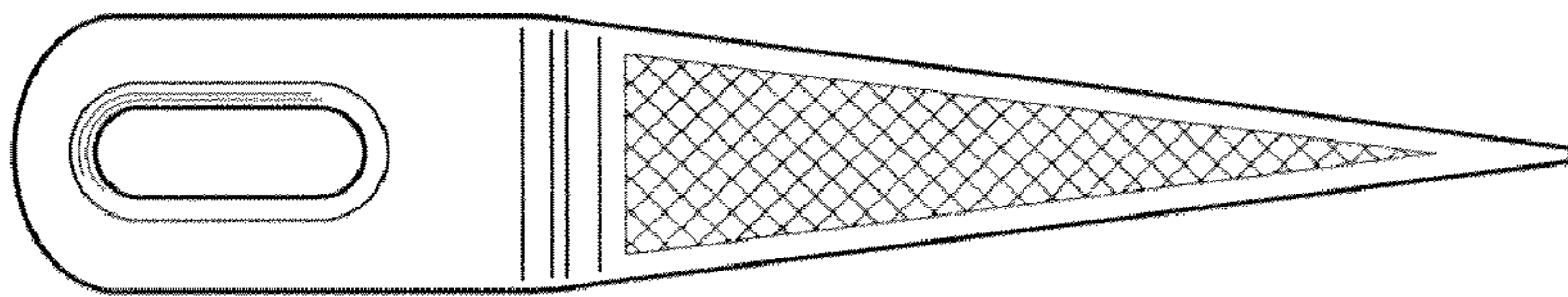


FIG. 2

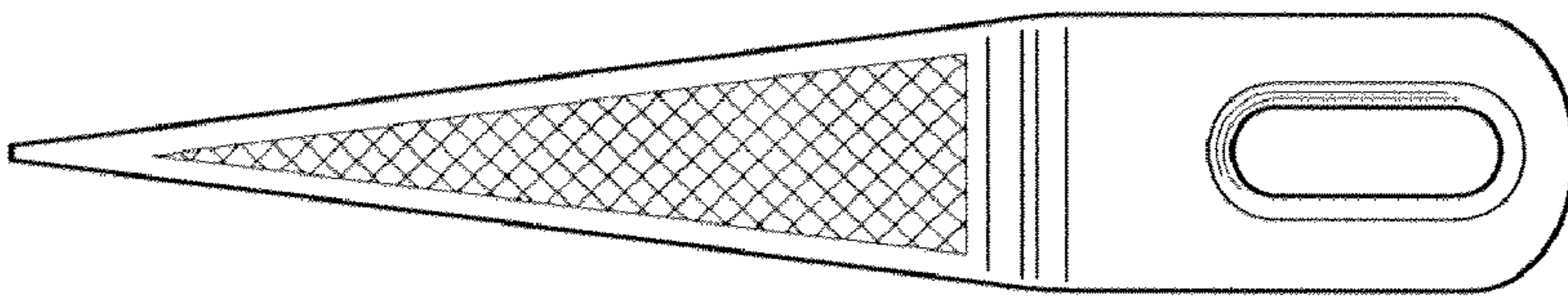


FIG. 3



FIG. 4

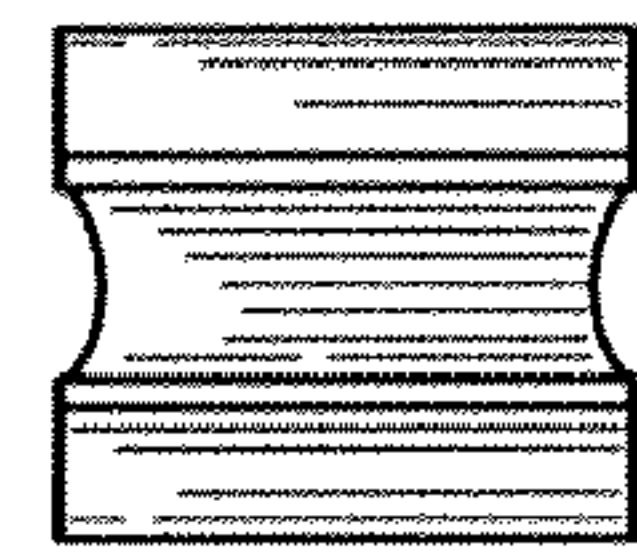


FIG. 6

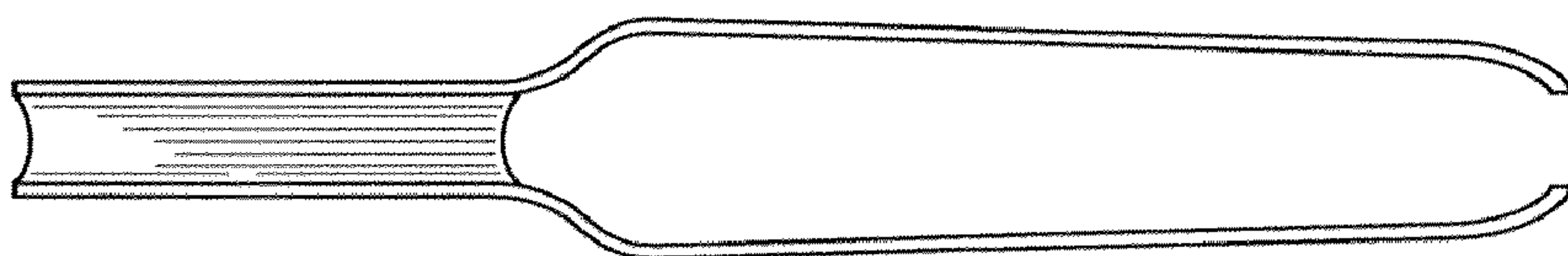


FIG. 5

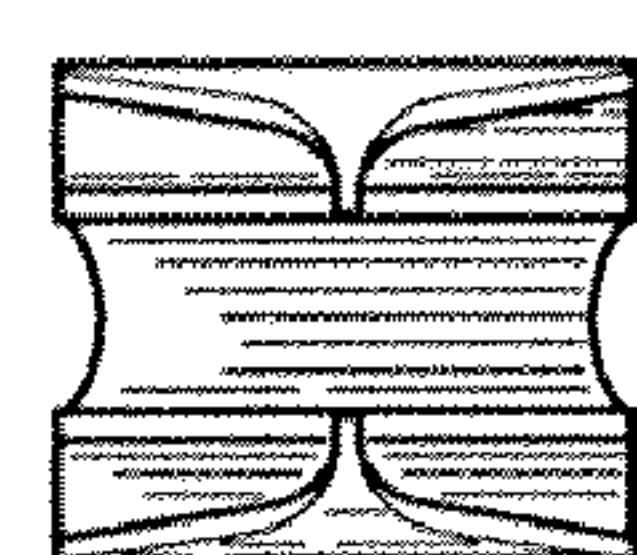


FIG. 7

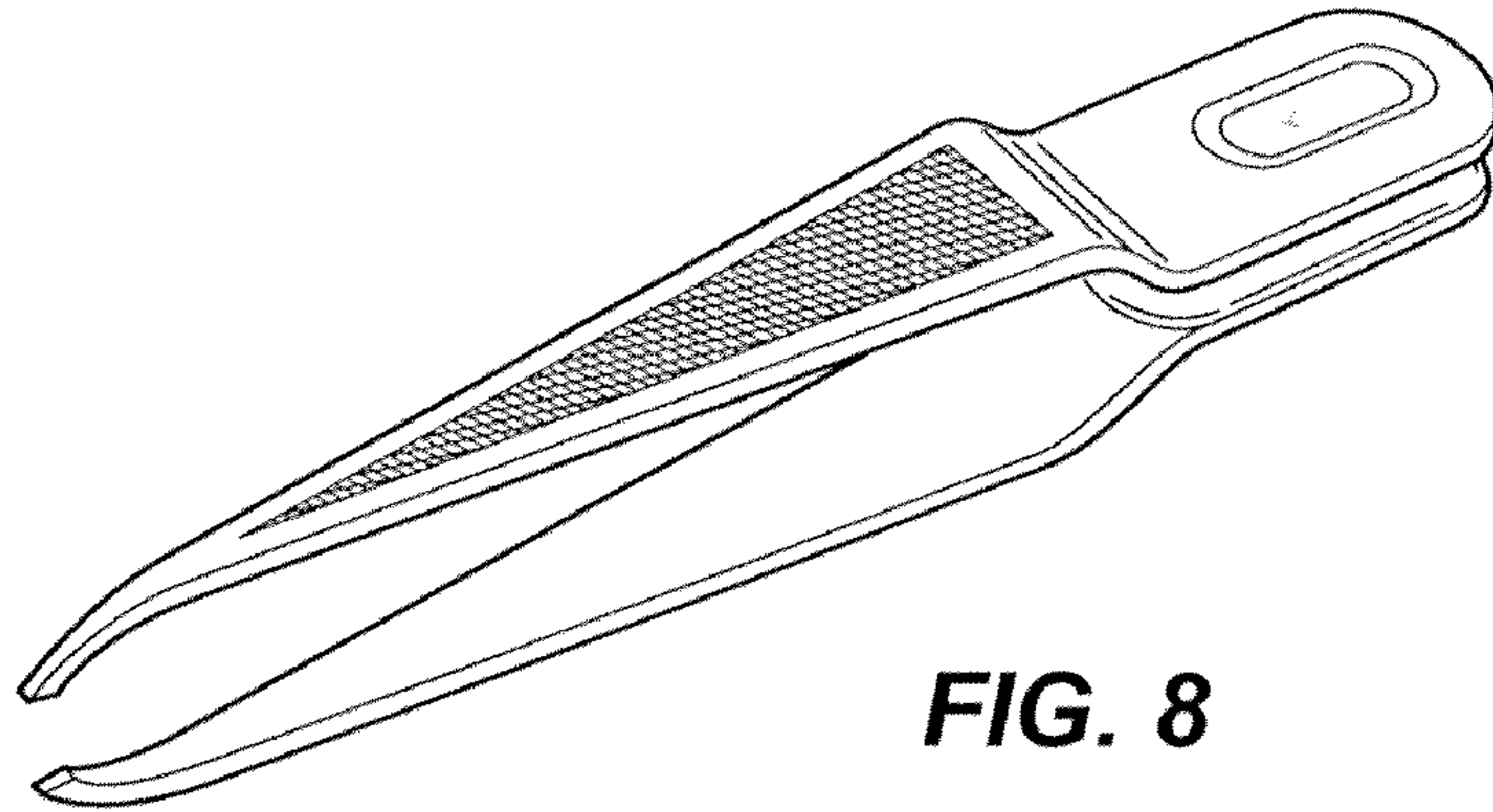


FIG. 8

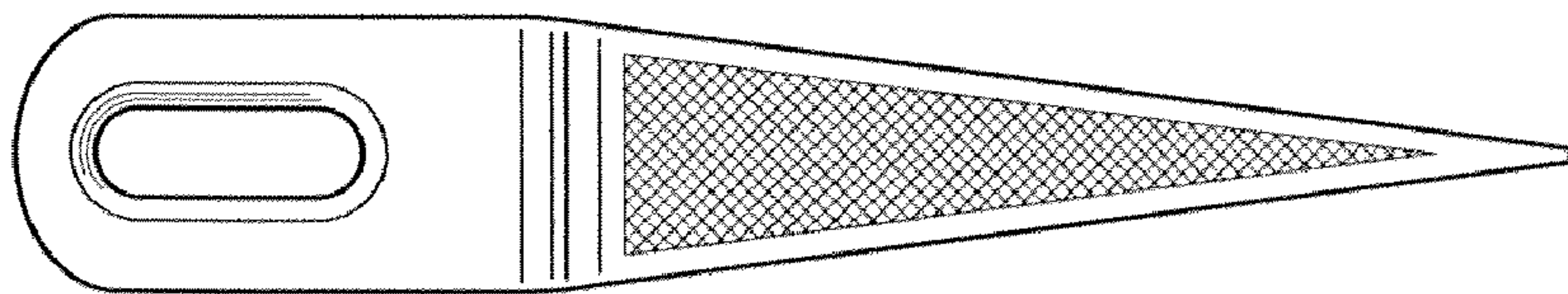


FIG. 9

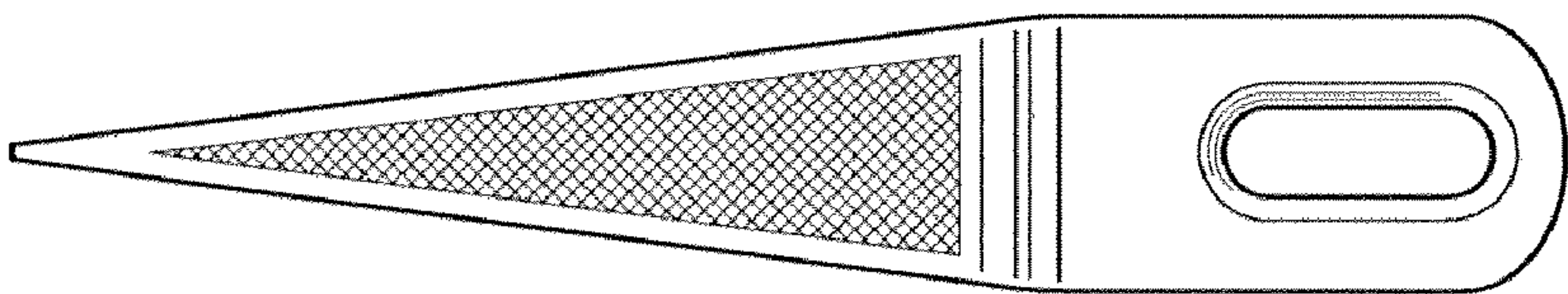


FIG. 10

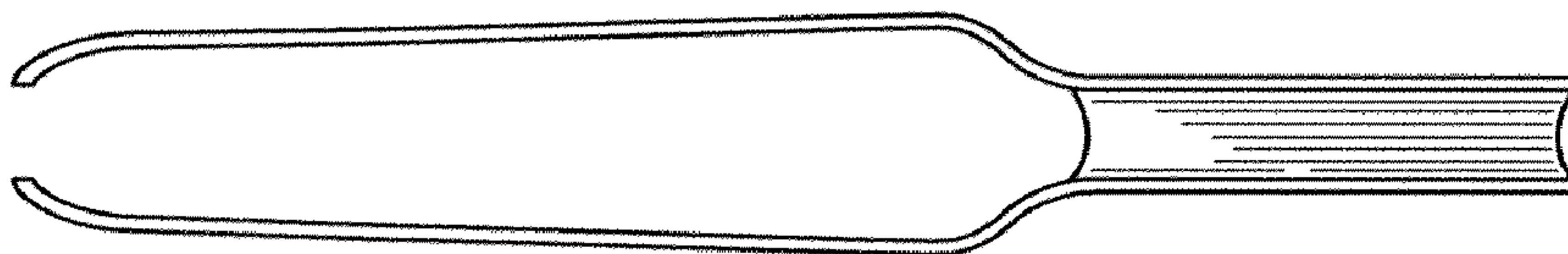


FIG. 11

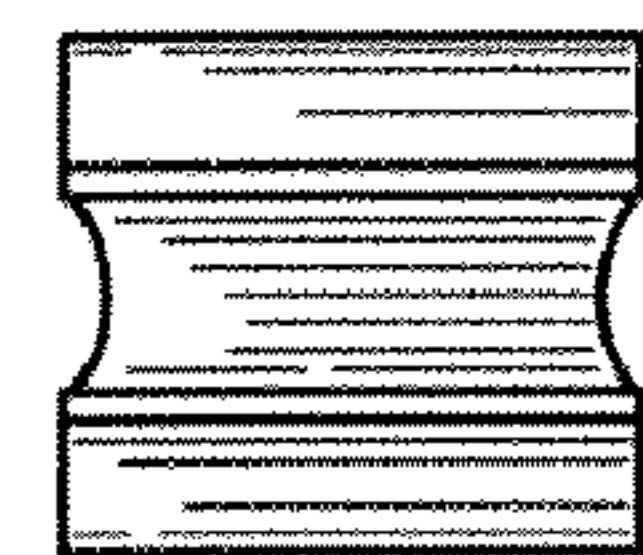


FIG. 13

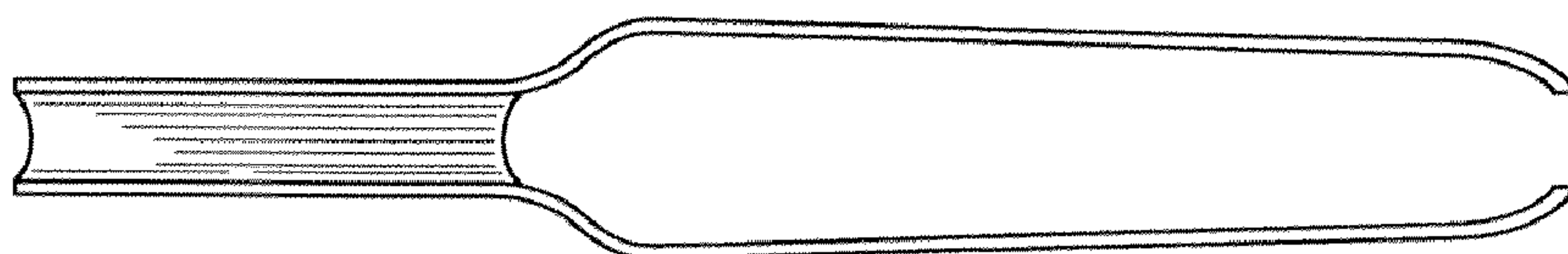


FIG. 12

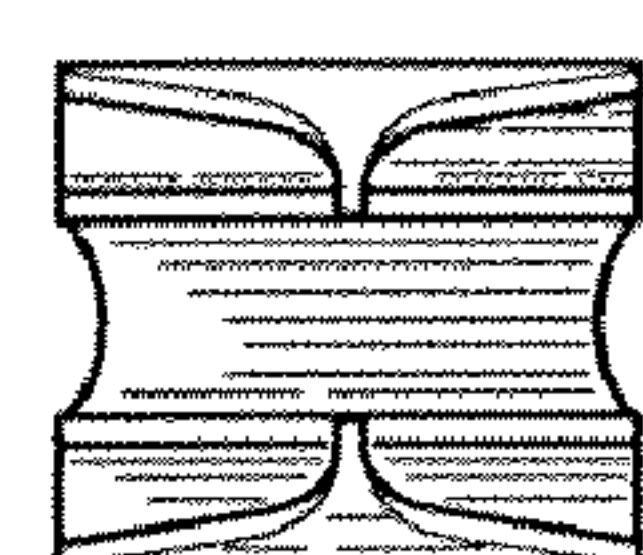


FIG. 14