



US00D559453S

(12) **United States Design Patent**
Modolo

(10) **Patent No.:** **US D559,453 S**
(45) **Date of Patent:** **** Jan. 8, 2008**

(54) **RAZOR**

(76) Inventor: **Lucio Modolo**, Via Cortina, 52 Int. 5,
31010 Godega di Sant'Urbano (IT)

(**) Term: **14 Years**

(21) Appl. No.: **29/274,699**

(22) Filed: **May 17, 2007**

(30) **Foreign Application Priority Data**

Dec. 26, 2006 (EM) 000644463

(51) **LOC (8) Cl.** **28-03**

(52) **U.S. Cl.** **D28/46**

(58) **Field of Classification Search** 30/32,
30/34.05, 34.1, 34.2, 41-41.8, 44-45, 47-51,
30/53-58, 526-533; D28/44.1-48

See application file for complete search history.

(56) **References Cited**

U.S. PATENT DOCUMENTS

D254,692 S *	4/1980	Del Re	D28/46
D378,147 S *	2/1997	Hegemann	D28/46
D391,021 S *	2/1998	van Oene	D28/45
D407,529 S *	3/1999	May	D28/46
D463,622 S *	9/2002	Harrington	D28/48
D541,986 S *	5/2007	Drivas	D28/45

* cited by examiner

Primary Examiner—Jennifer Rivard

(74) *Attorney, Agent, or Firm*—Modiano & Associati; Albert Josif; Daniel J. O'Byrne

(57) **CLAIM**

The ornamental design for “razor”, as shown and described.

DESCRIPTION

FIG. 1 is a front perspective view of a razor, showing my new design;

FIG. 2 is a front view thereof;

FIG. 3 is a rear view thereof;

FIG. 4 is a right side view thereof;

FIG. 5 is a left side view thereof;

FIG. 6 is a top plan view thereof;

FIG. 7 is a bottom plan view thereof;

FIG. 8 is a front perspective view of a second variant of the razor;

FIG. 9 is a front view thereof;

FIG. 10 is a rear view thereof;

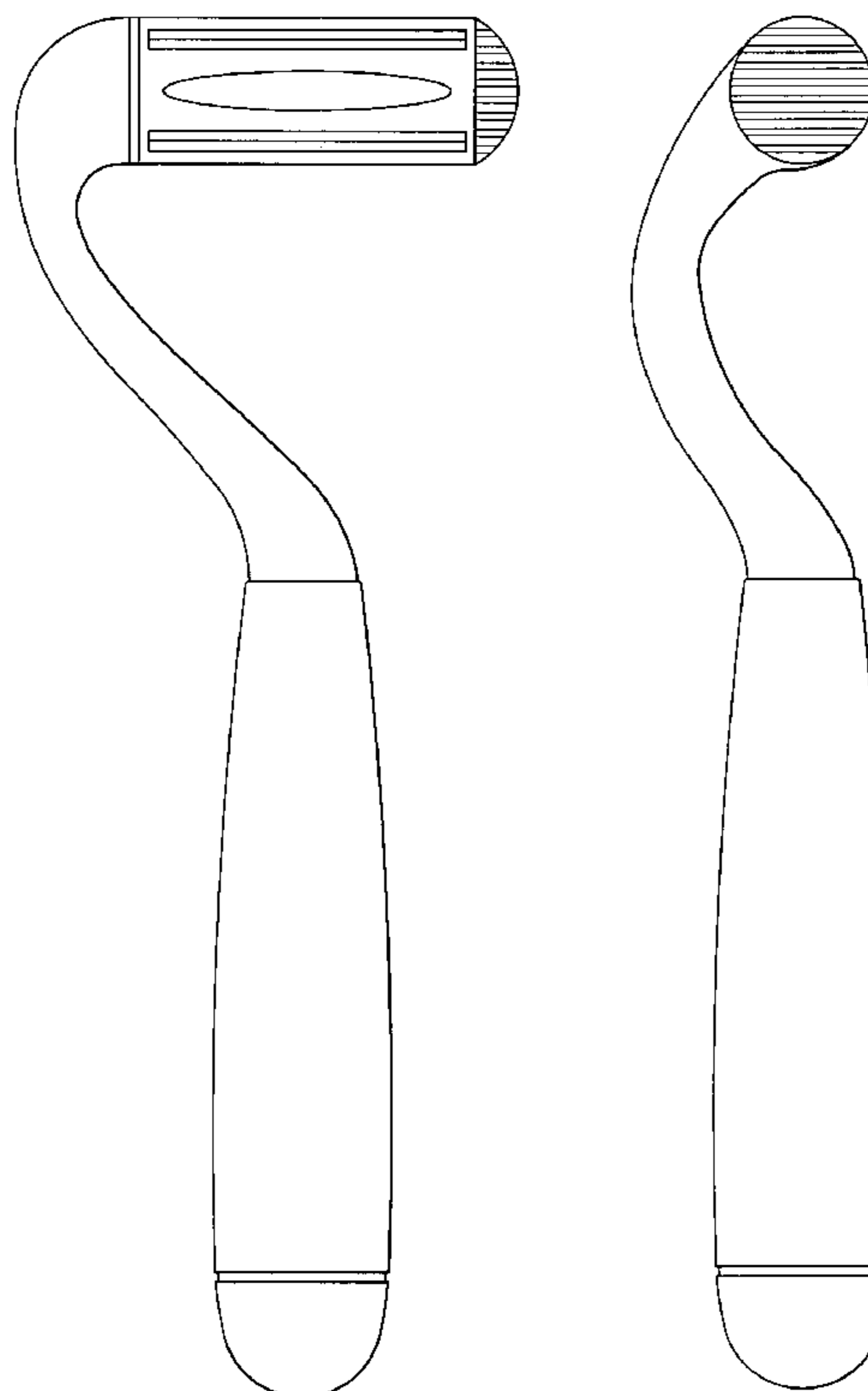
FIG. 11 is a right side view thereof;

FIG. 12 is a left side view thereof;

FIG. 13 is a top plan view thereof; and,

FIG. 14 is a bottom plan view thereof.

1 Claim, 6 Drawing Sheets



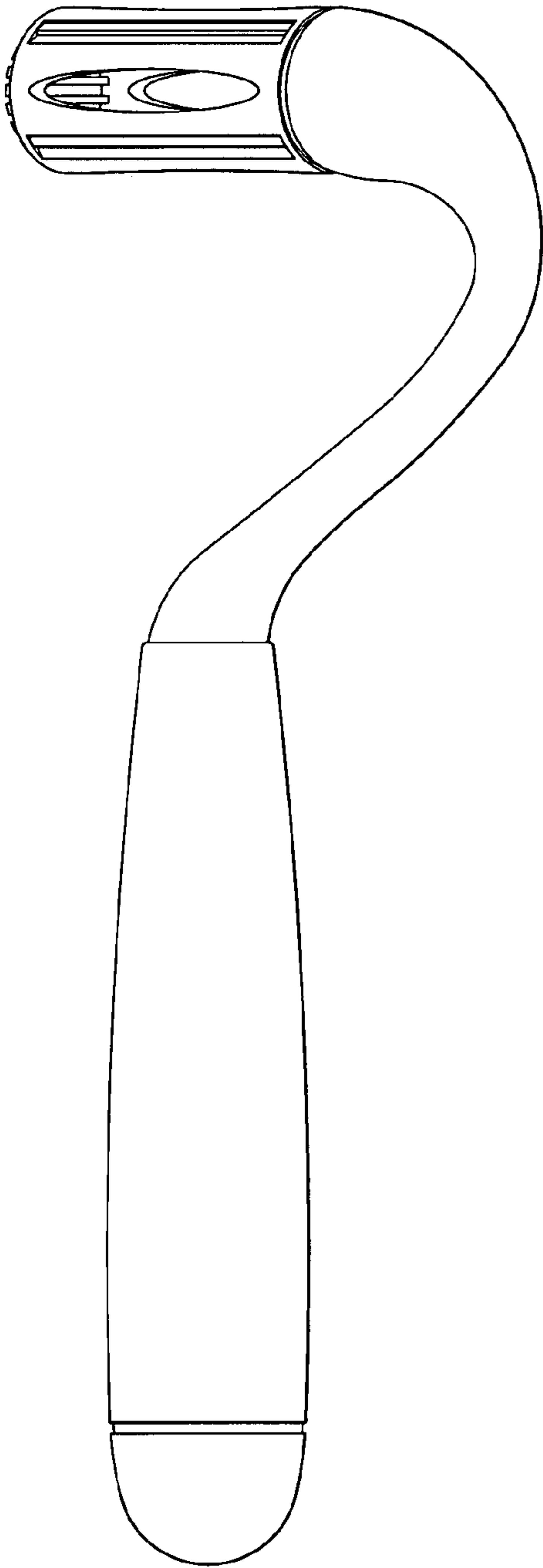


Fig. 1

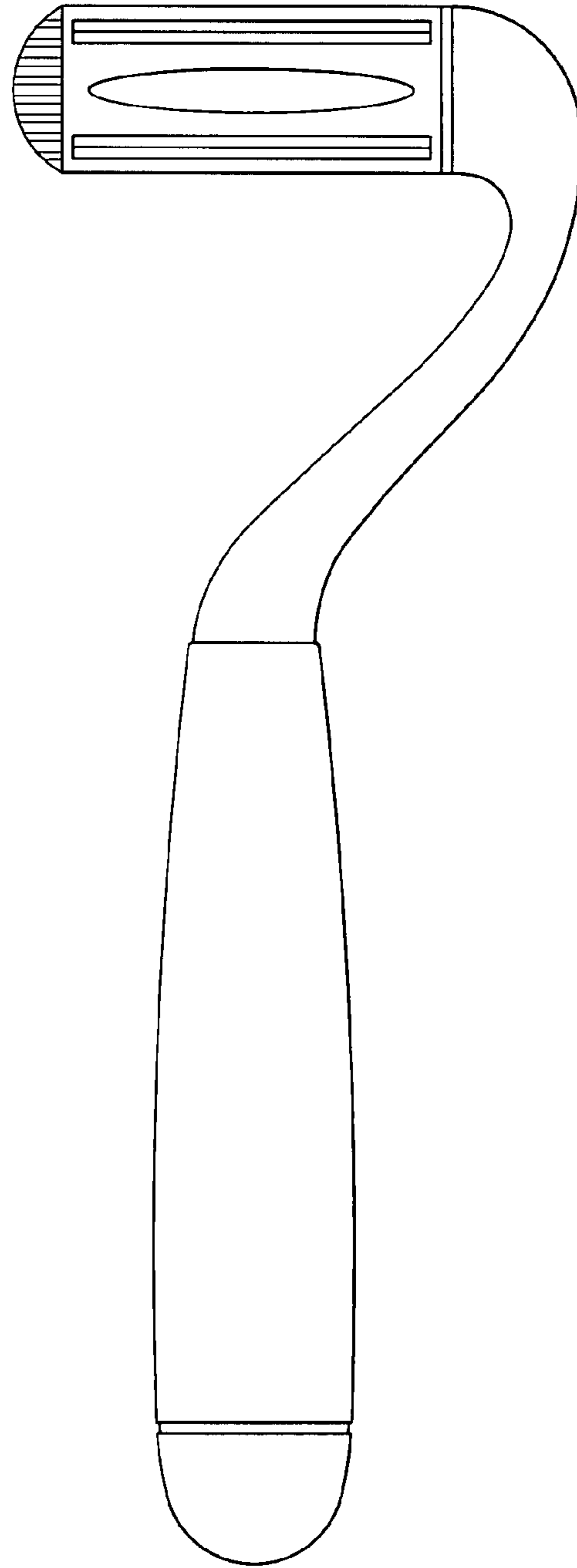


Fig. 2

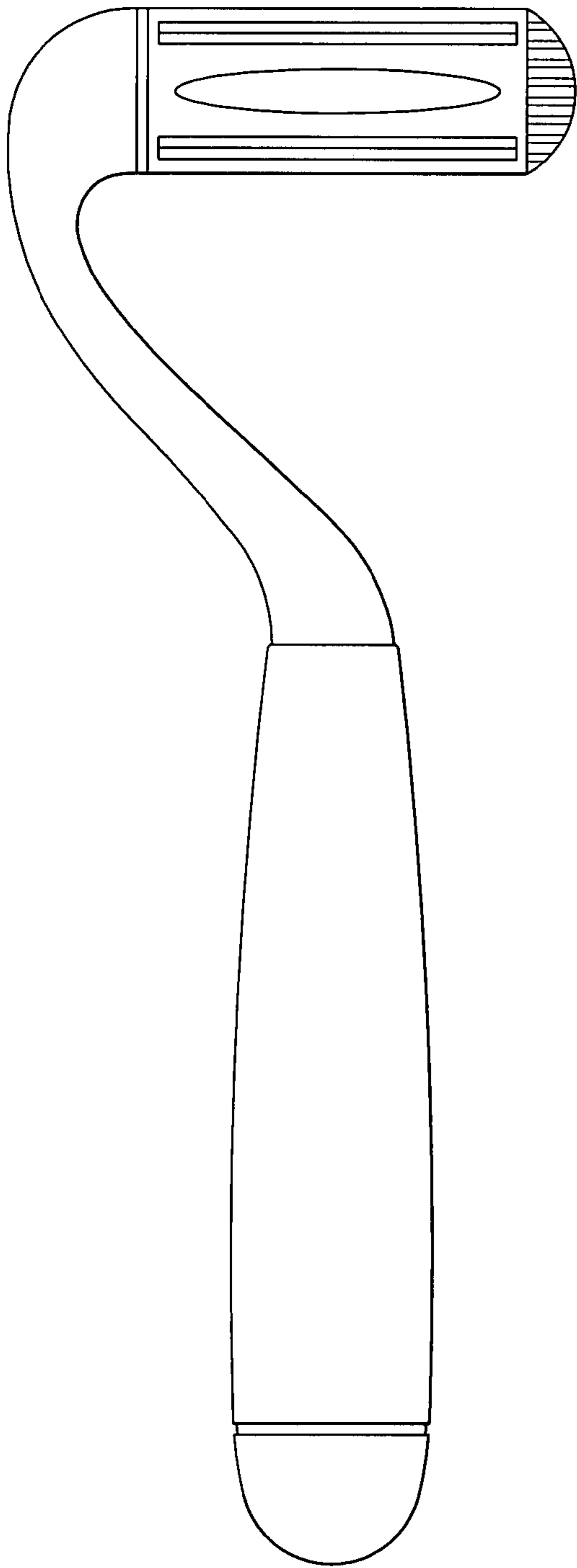


Fig. 3

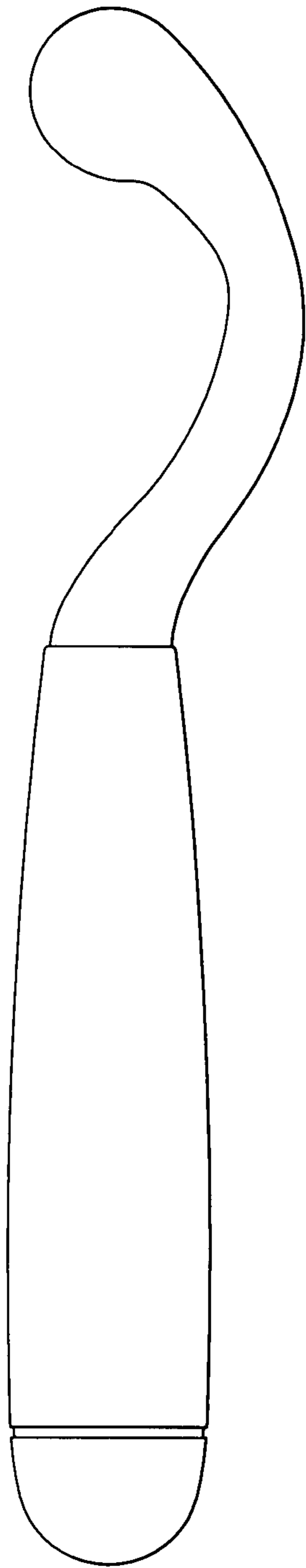


Fig. 4

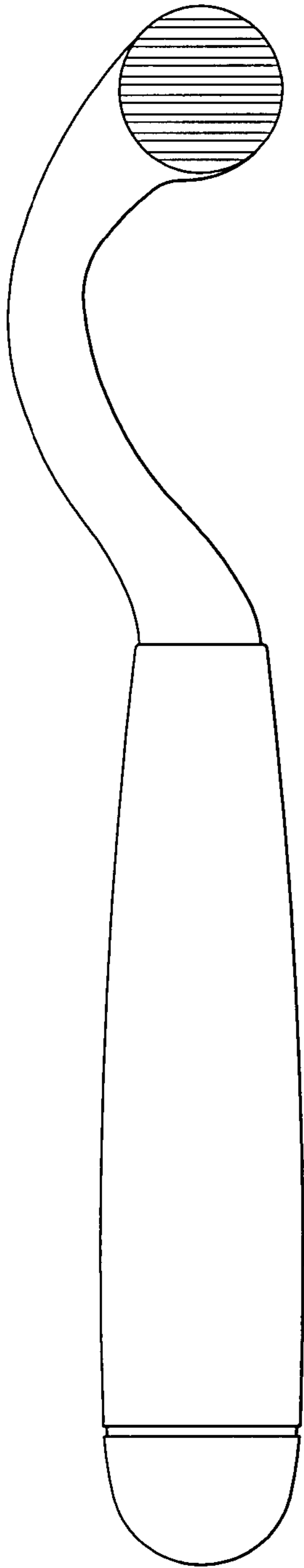


Fig. 5

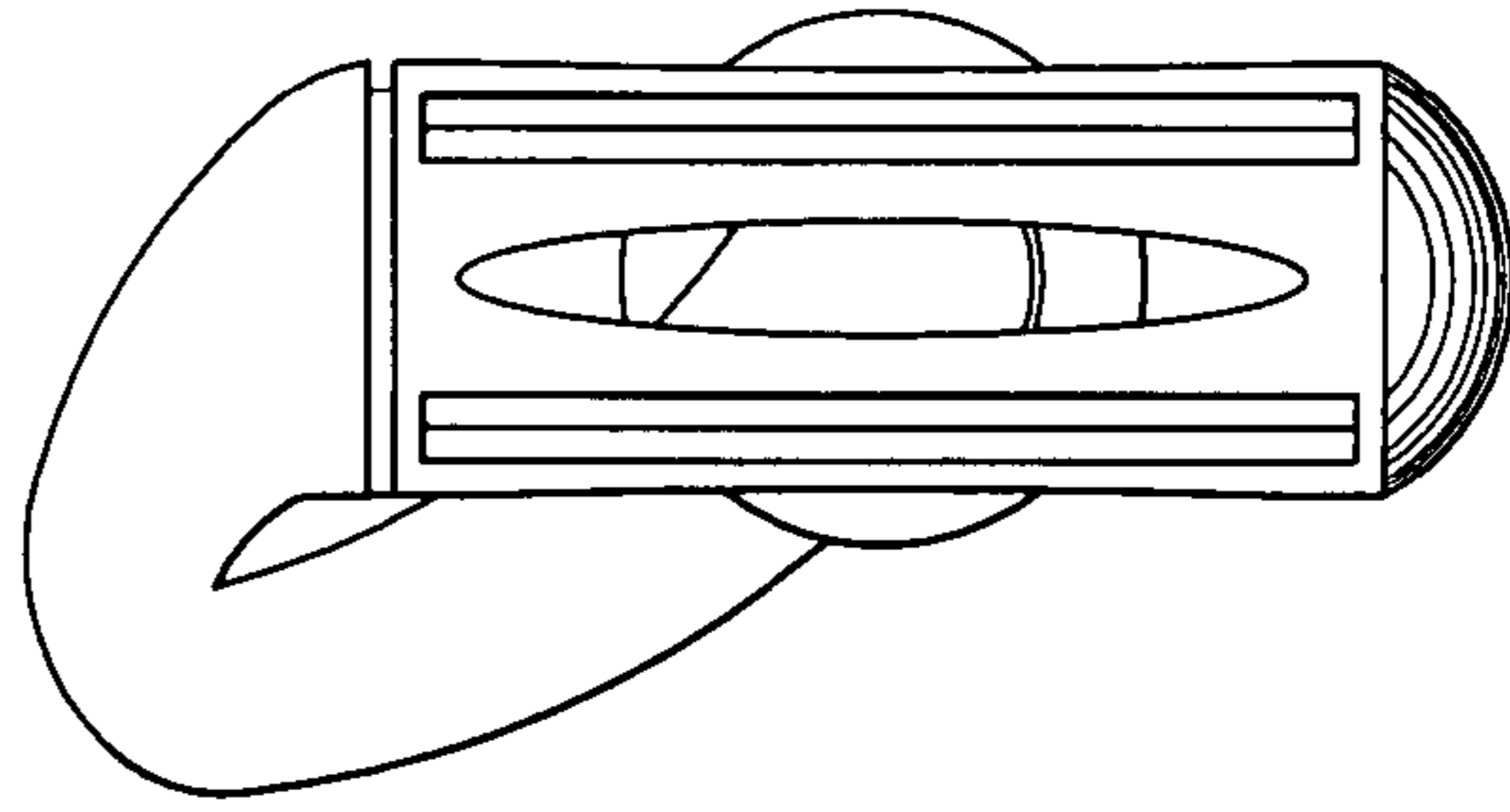


Fig. 6

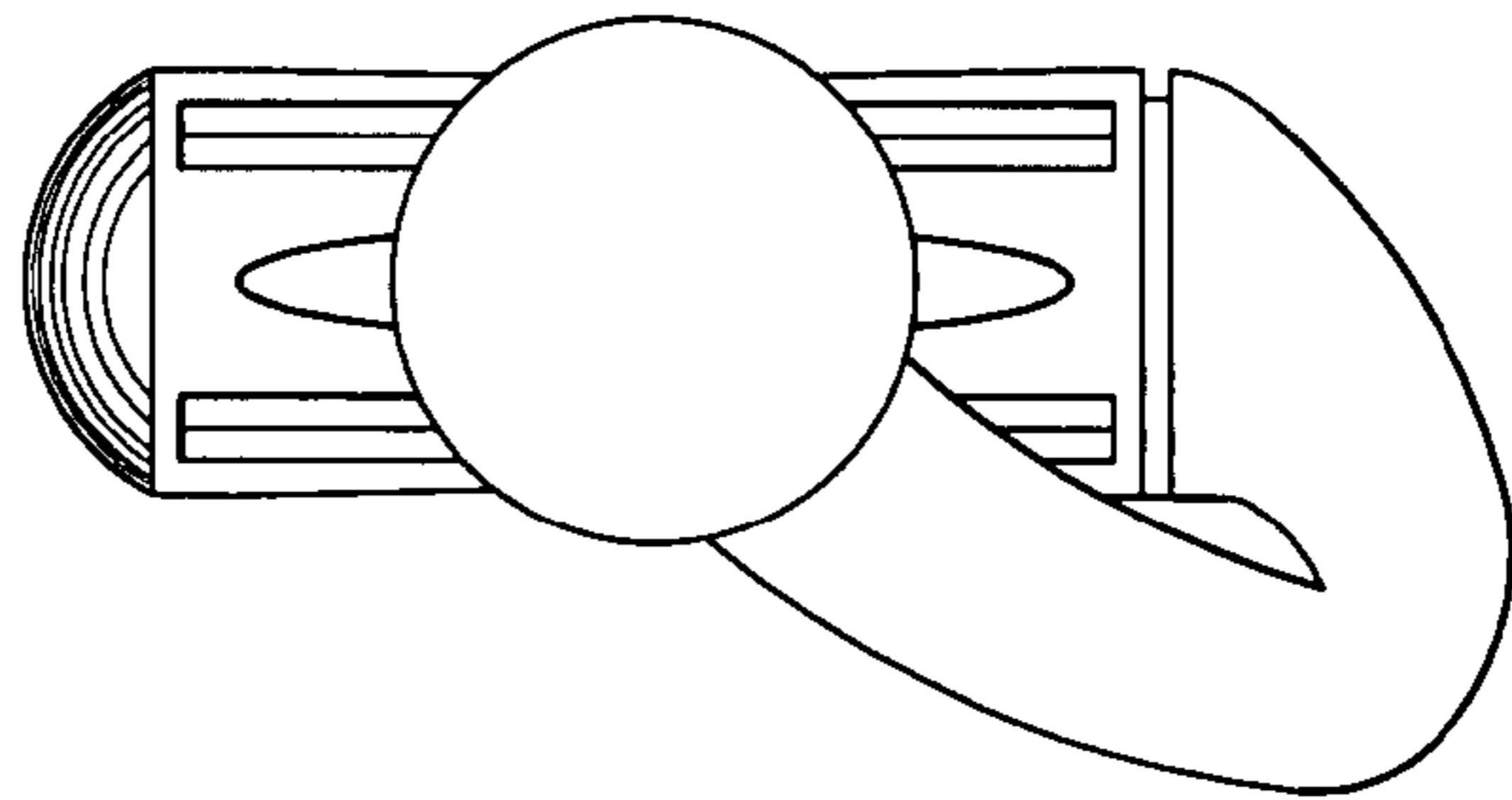


Fig. 7

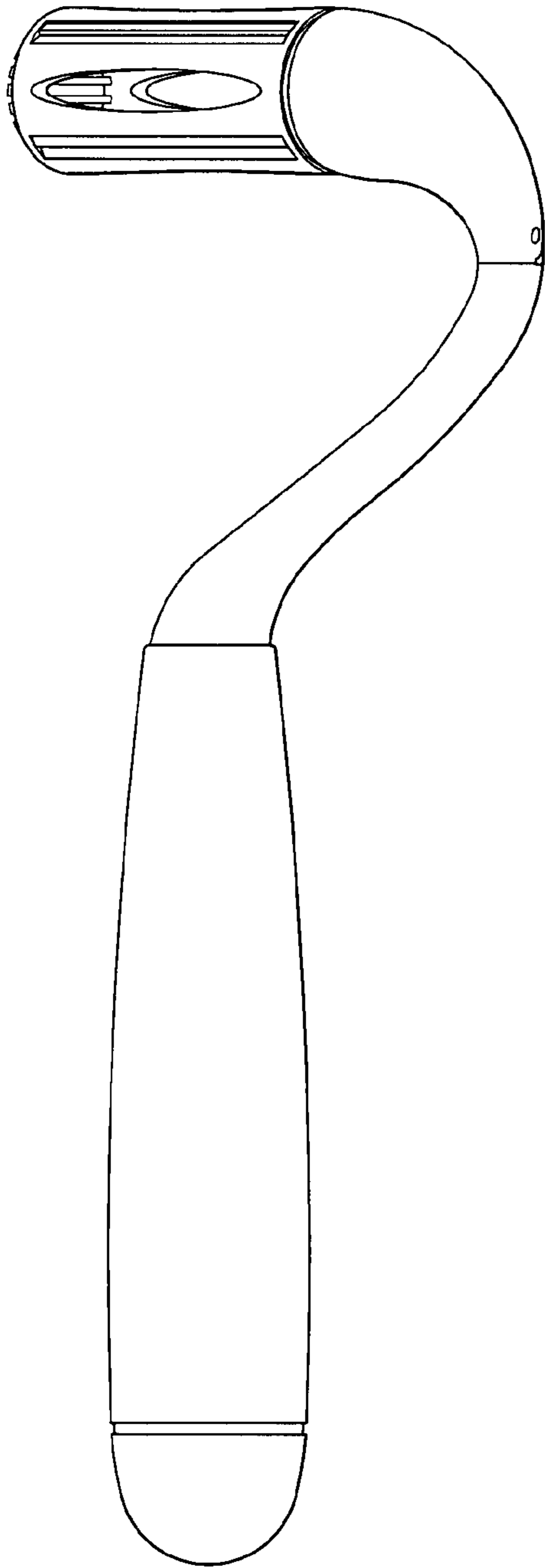


Fig. 8

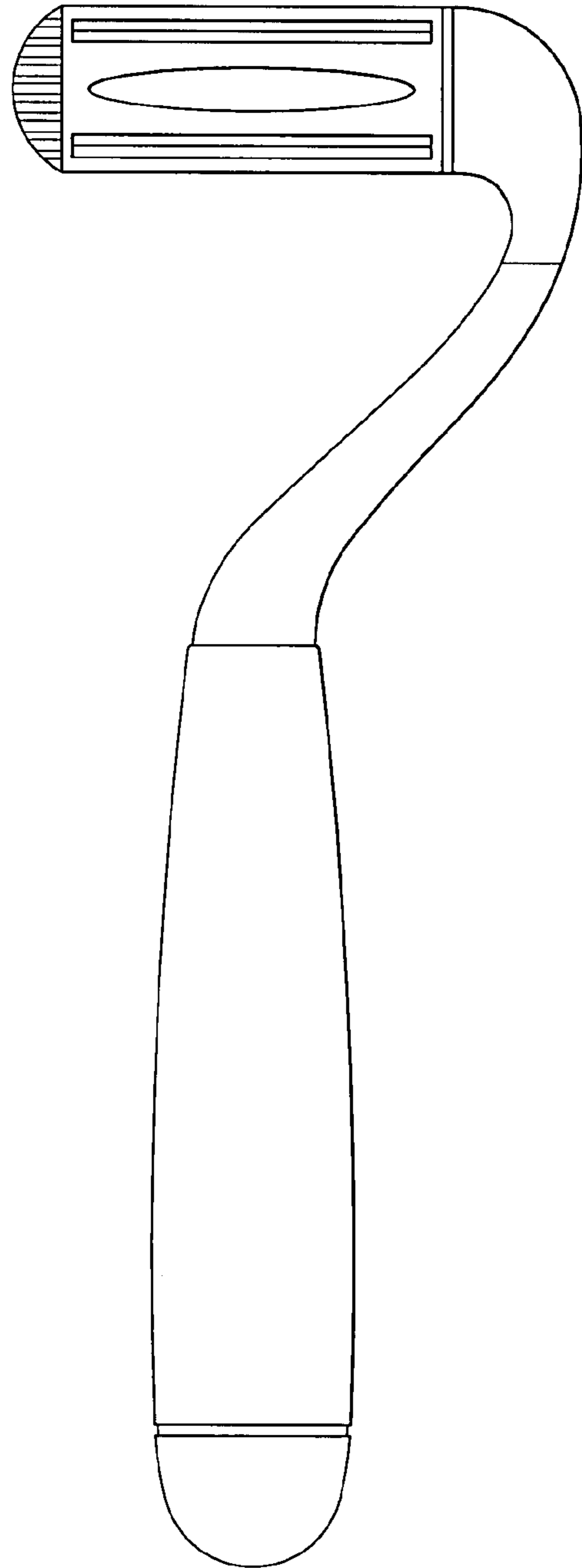


Fig. 9

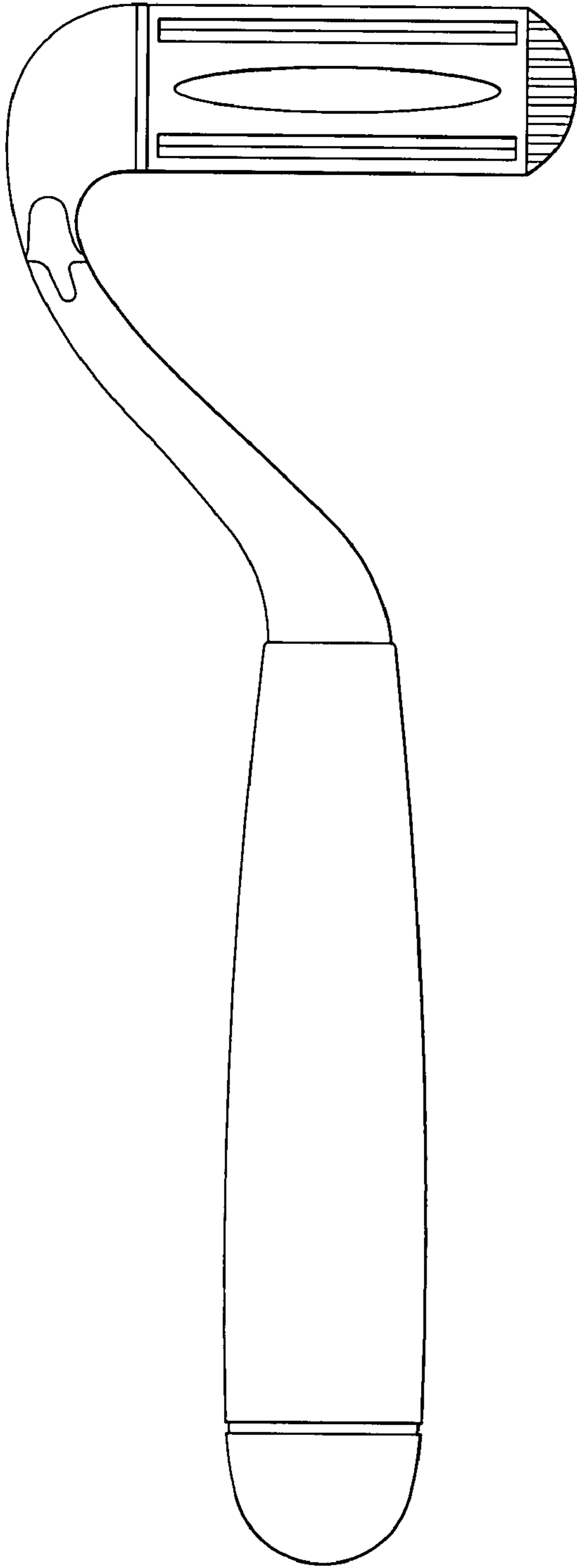


Fig. 10

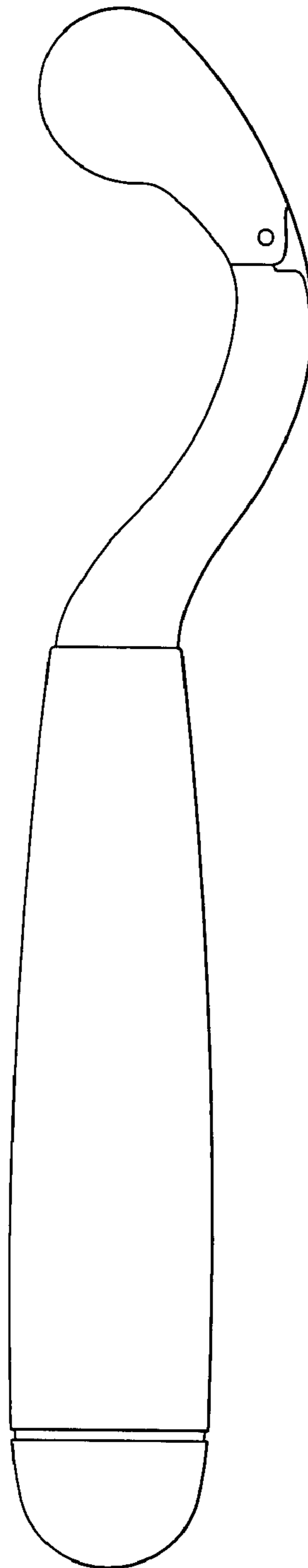


Fig. 11

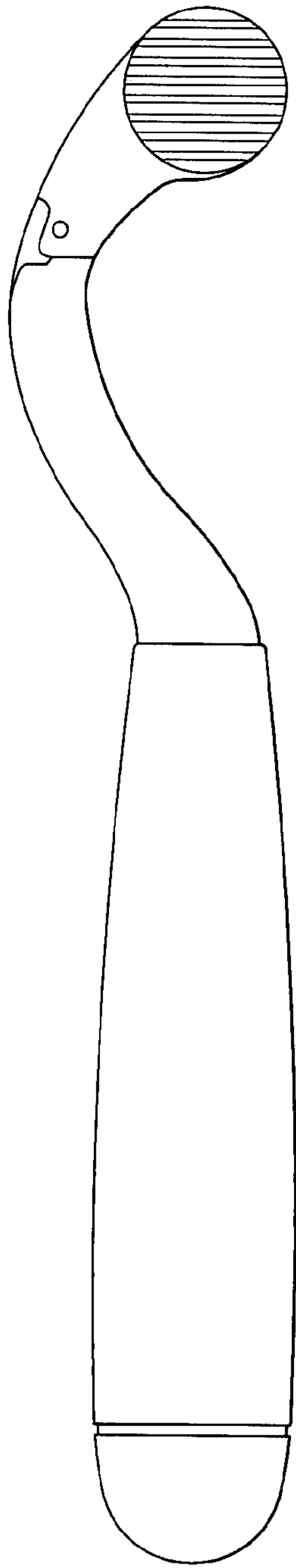


Fig. 12

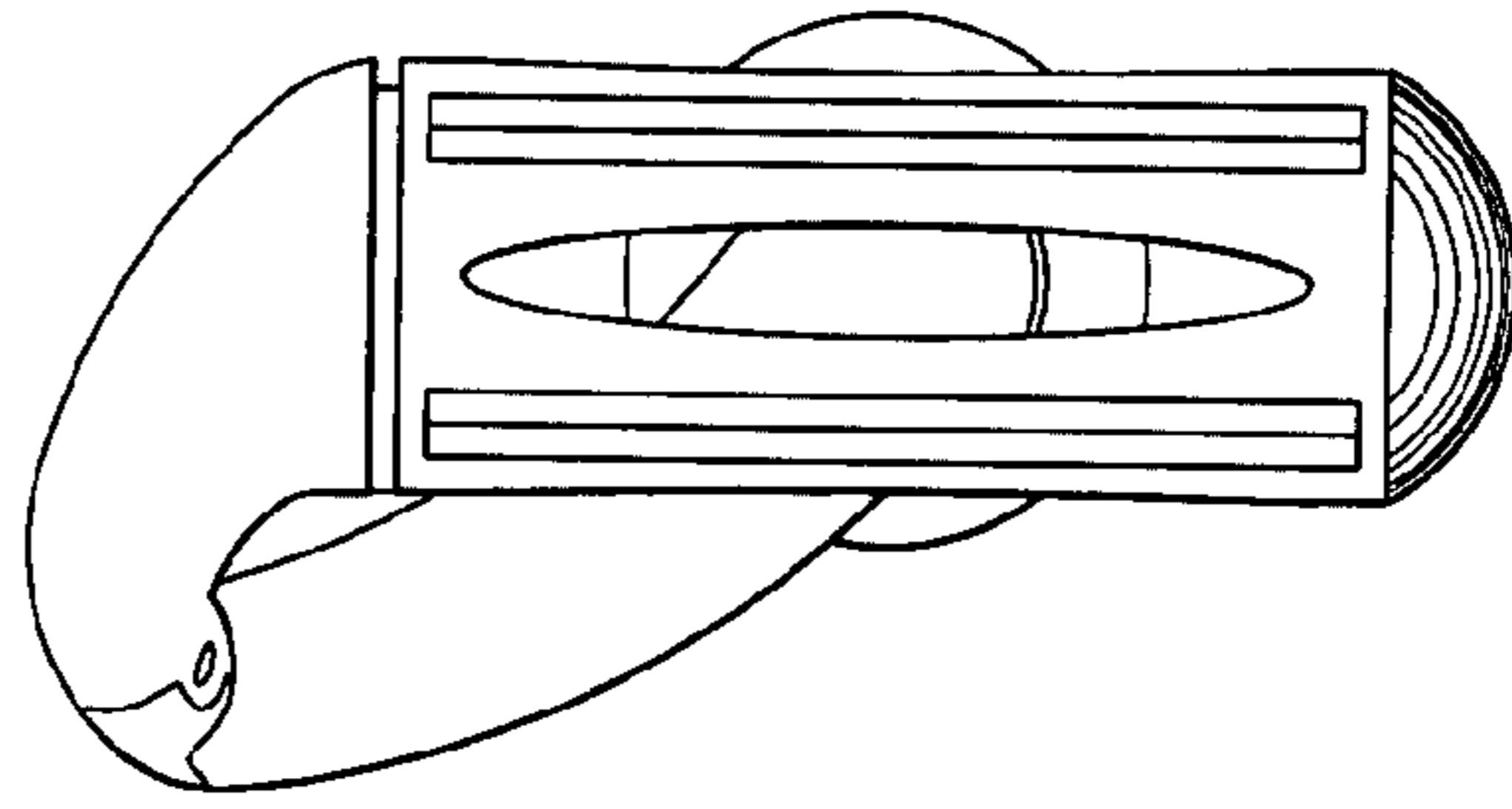


Fig. 13

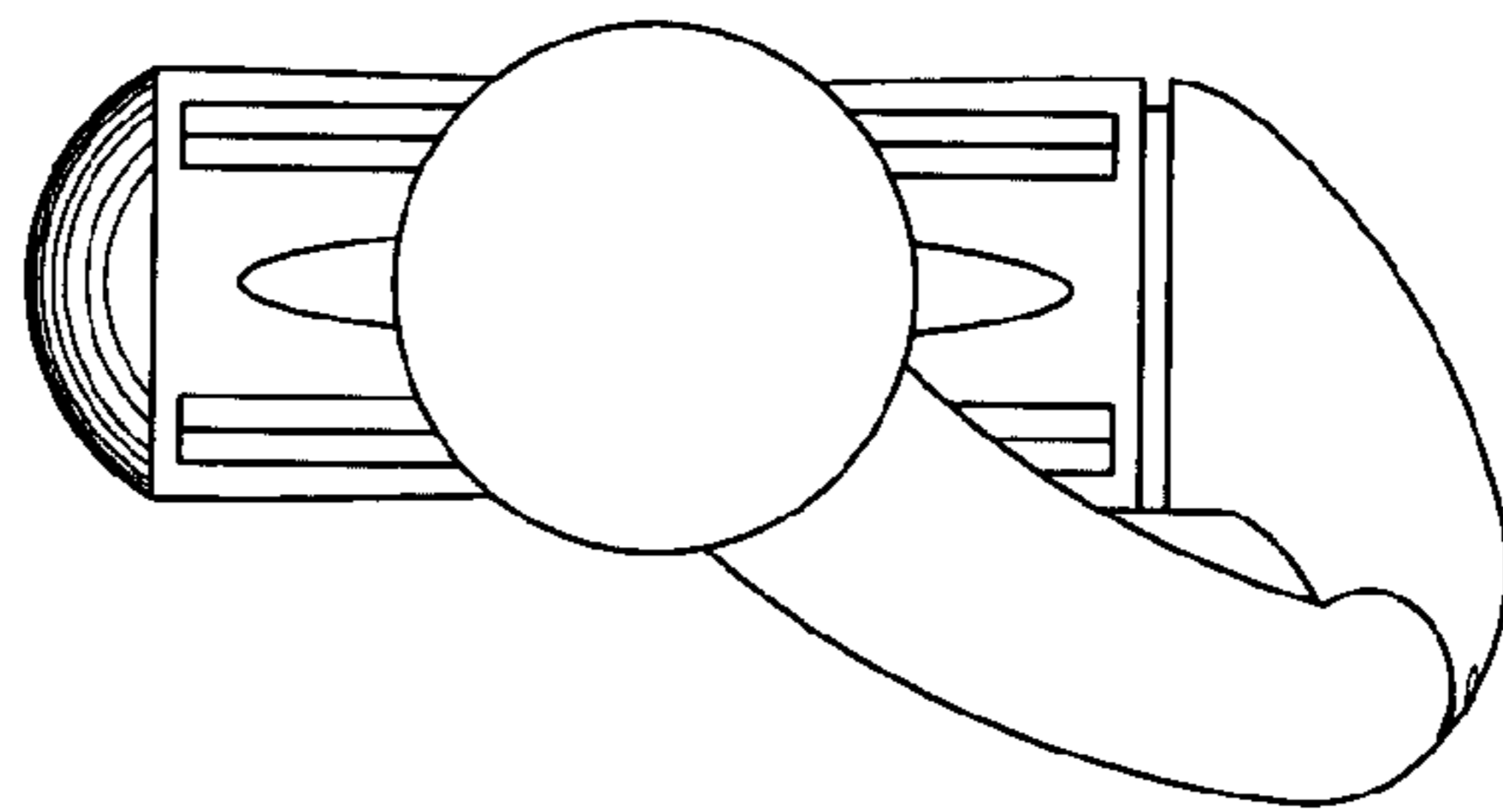


Fig. 14