



US00D559448S

(12) **United States Design Patent**
Leung

(10) **Patent No.:** **US D559,448 S**

(45) **Date of Patent:** **** Jan. 8, 2008**

(54) **HAIR STRAIGHTENING IRON**

D538,977 S * 3/2007 Shin D28/35
2006/0207625 A1* 9/2006 Chan 132/224

(75) Inventor: **Anthony Kit Lun Leung**, North Point
(CN)

* cited by examiner

(73) Assignee: **Conair Corporation**, Stamford, CT
(US)

Primary Examiner—Jennifer Rivard

(74) *Attorney, Agent, or Firm*—Lawrence Cruz

(**) Term: **14 Years**

(57) **CLAIM**

(21) Appl. No.: **29/286,092**

The ornamental design for a hair straightening iron, as shown and described.

(22) Filed: **Apr. 23, 2007**

DESCRIPTION

(51) **LOC (8) Cl.** **28-03**

FIG. 1 is a perspective view of a hair straightening iron showing my new design;

(52) **U.S. Cl.** **D28/35**

FIG. 2 is a right side view thereof;

(58) **Field of Classification Search** D28/35-38;
132/222-269; 219/222, 225, 226

FIG. 3 is a left side view thereof;

See application file for complete search history.

FIG. 4 is a top view thereof;

FIG. 5 is a bottom view thereof;

(56) **References Cited**

U.S. PATENT DOCUMENTS

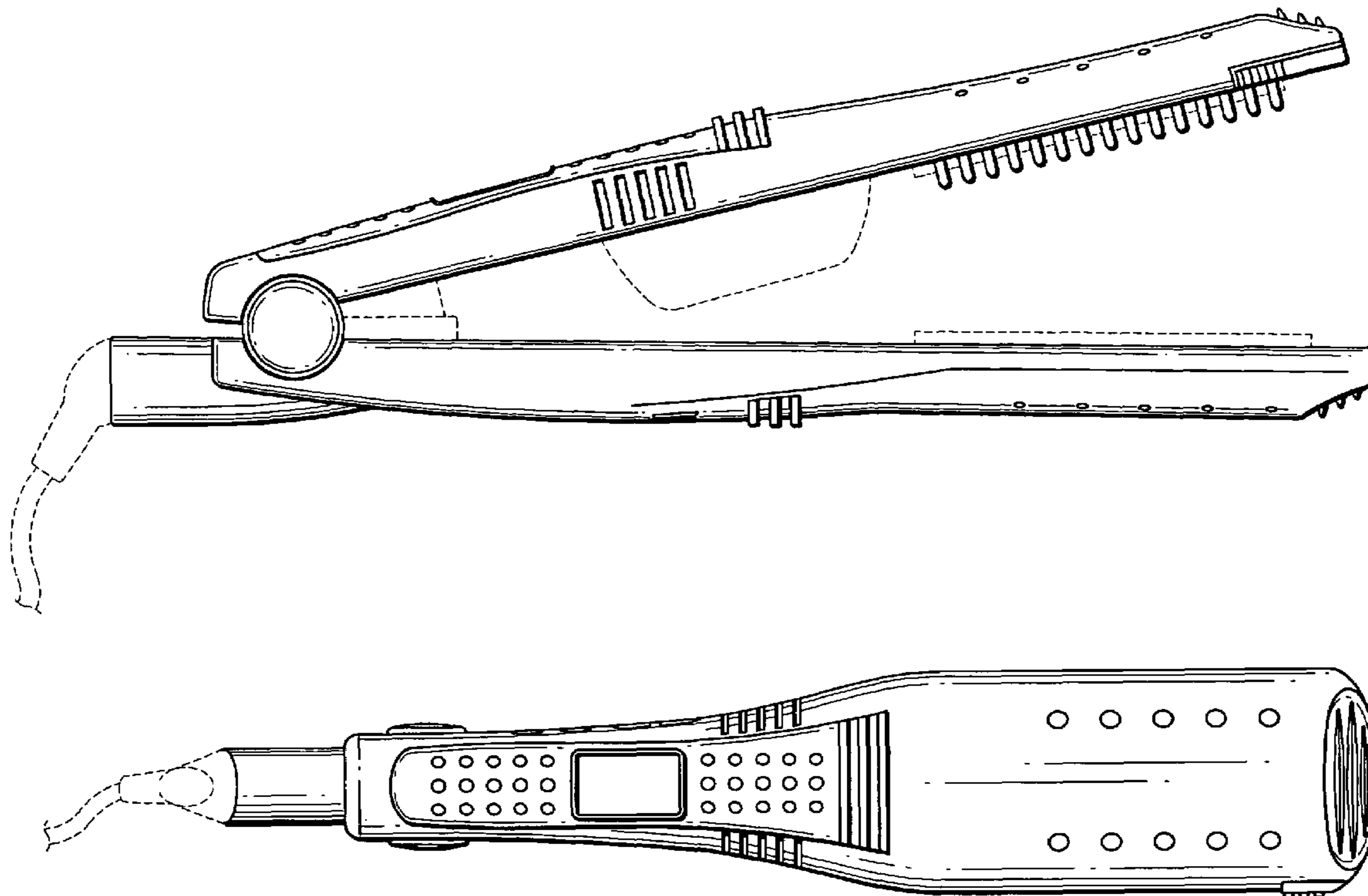
D480,176 S *	9/2003	Ouellette	D28/35
D489,483 S *	5/2004	Cho	D28/35
D504,978 S *	5/2005	Johnstone et al.	D28/35
D514,252 S *	1/2006	Shin	D28/35
D537,983 S *	3/2007	Shin	D28/35

FIG. 6 is a rear view thereof; and,

FIG. 7 is a front view.

The broken lines are shown for illustrative purposes only and form no part of the claimed design.

1 Claim, 6 Drawing Sheets



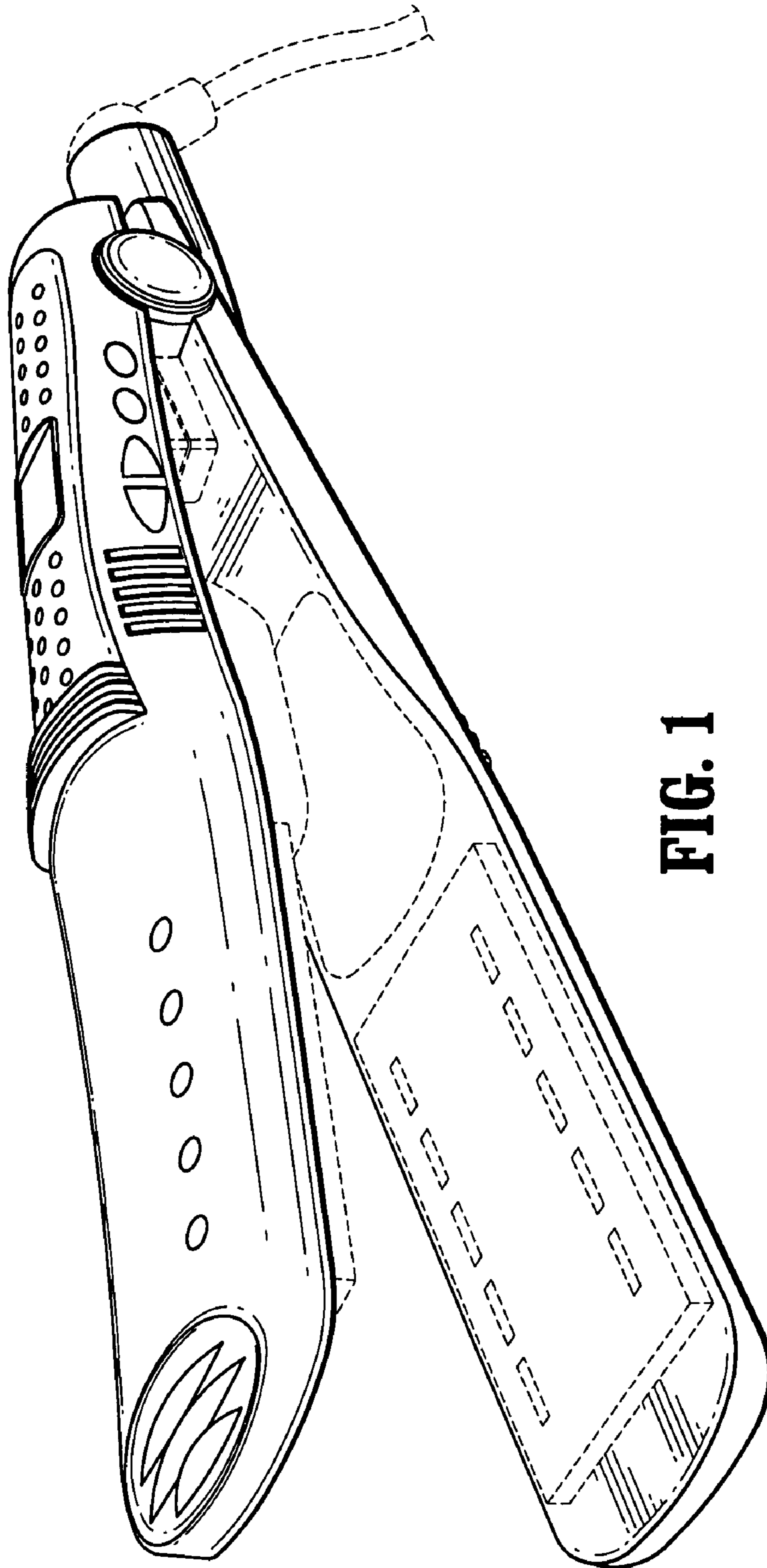


FIG. 1

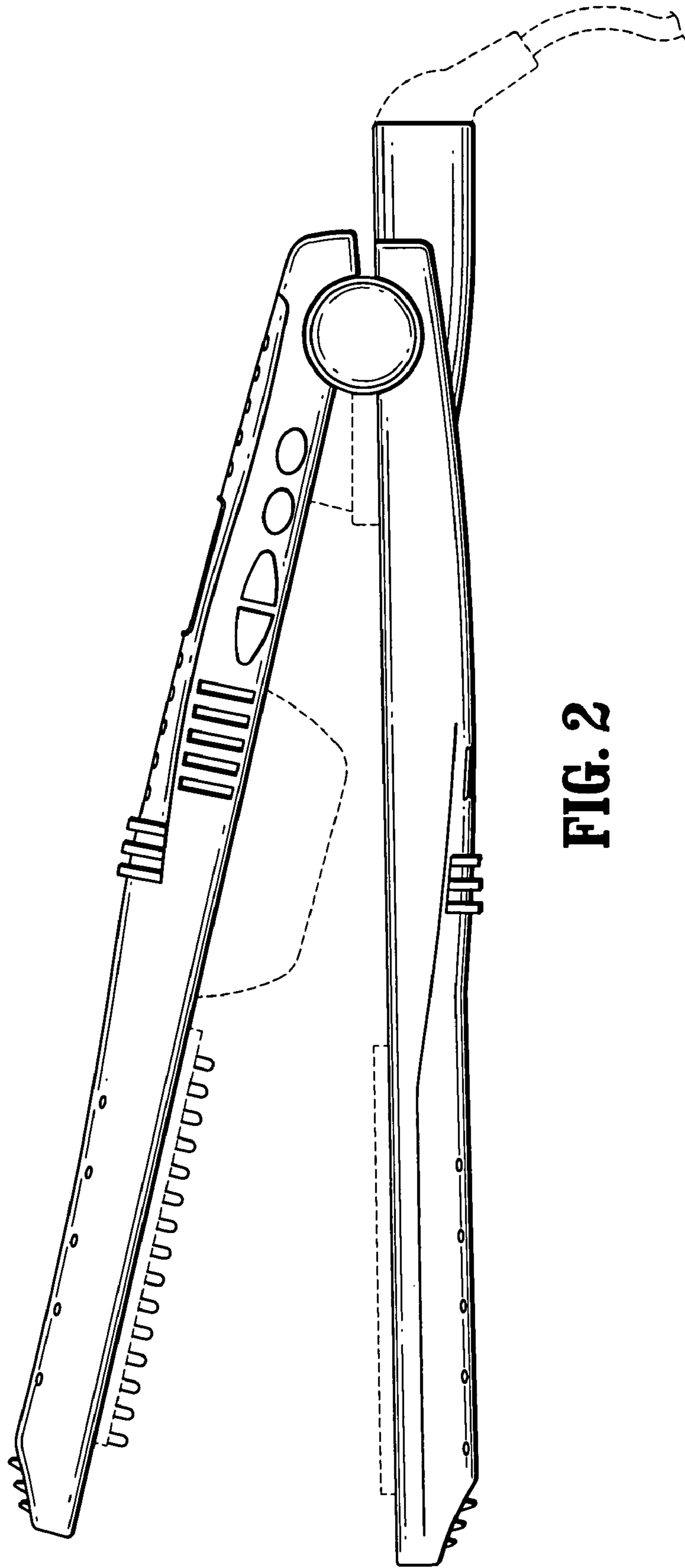


FIG. 2

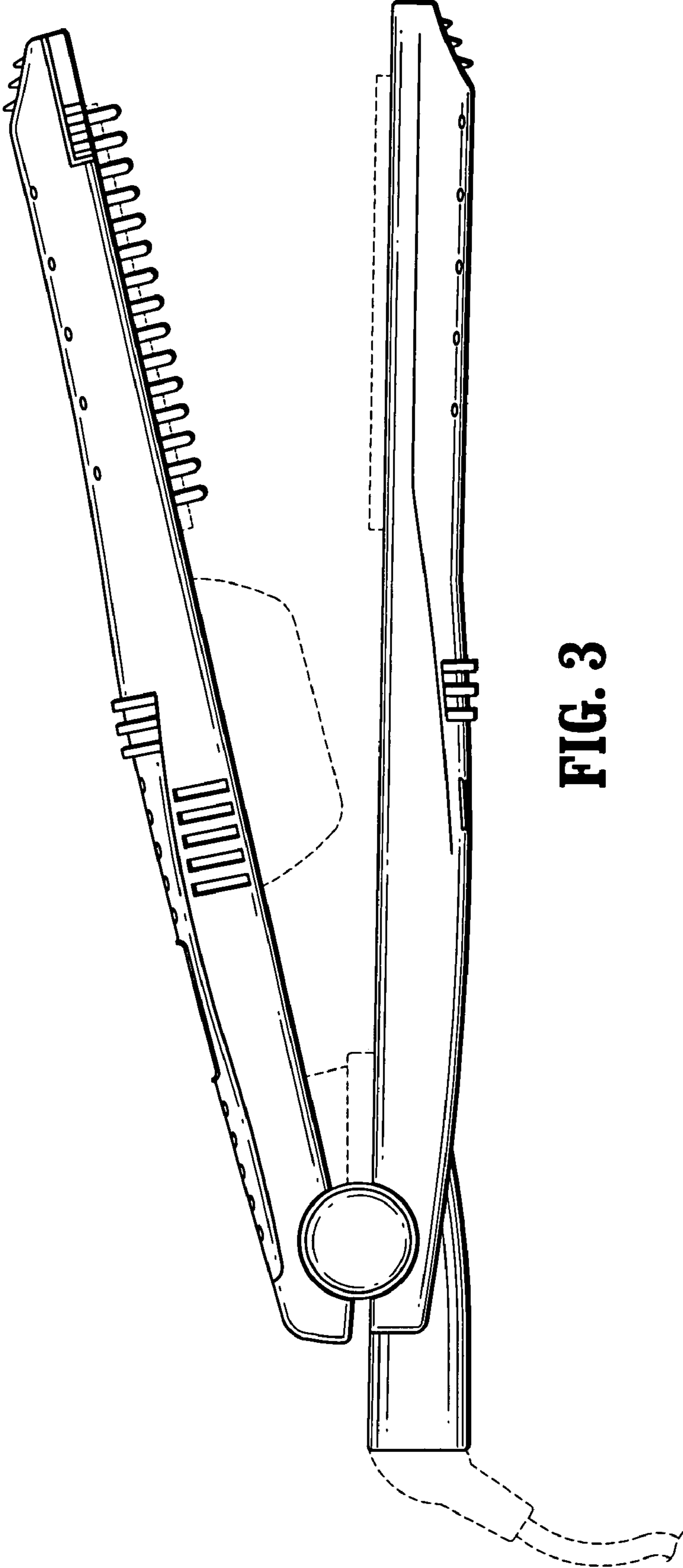


FIG. 3

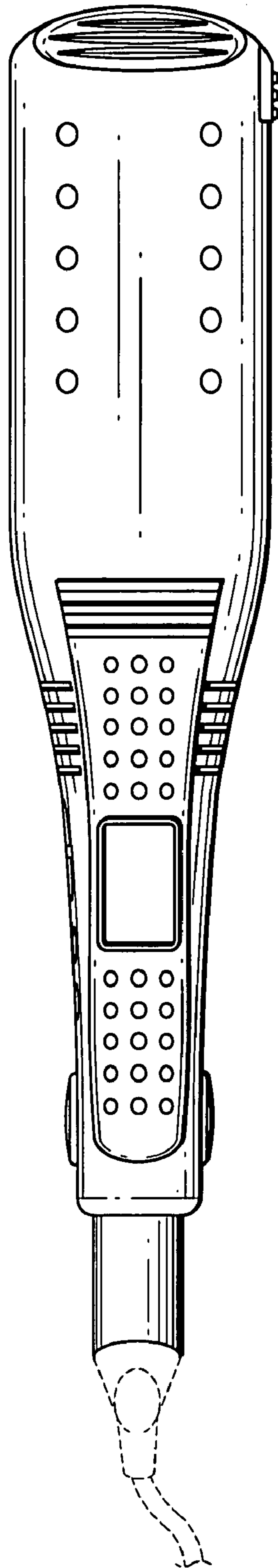


FIG. 4

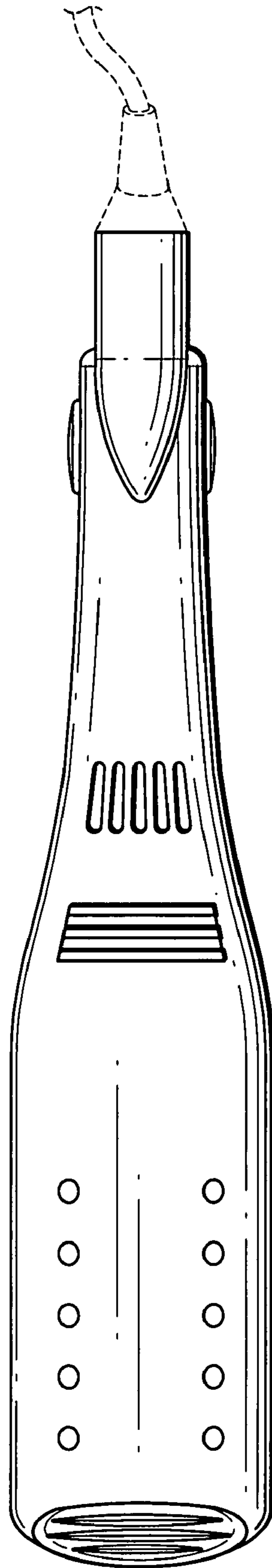


FIG. 5

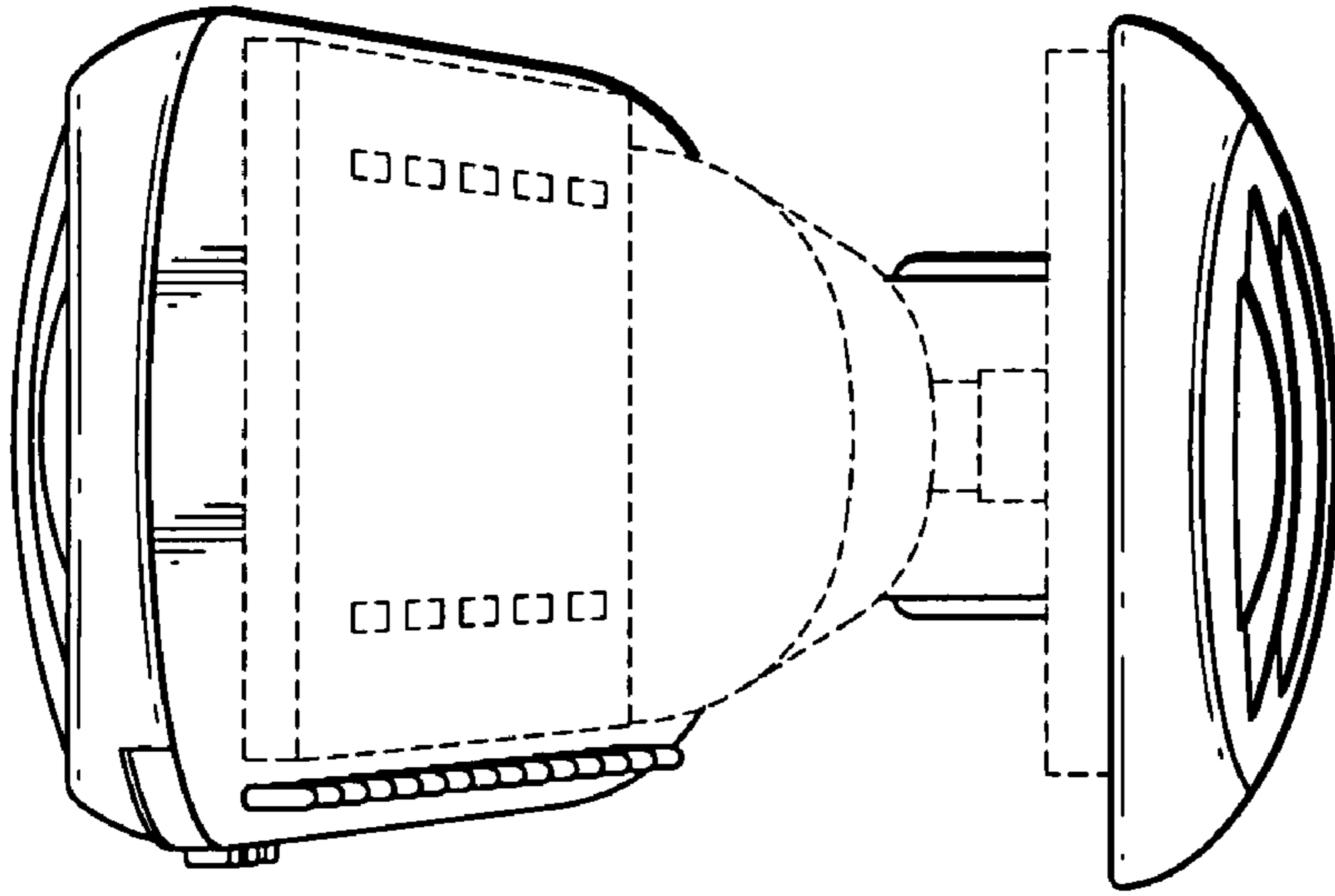


FIG. 7

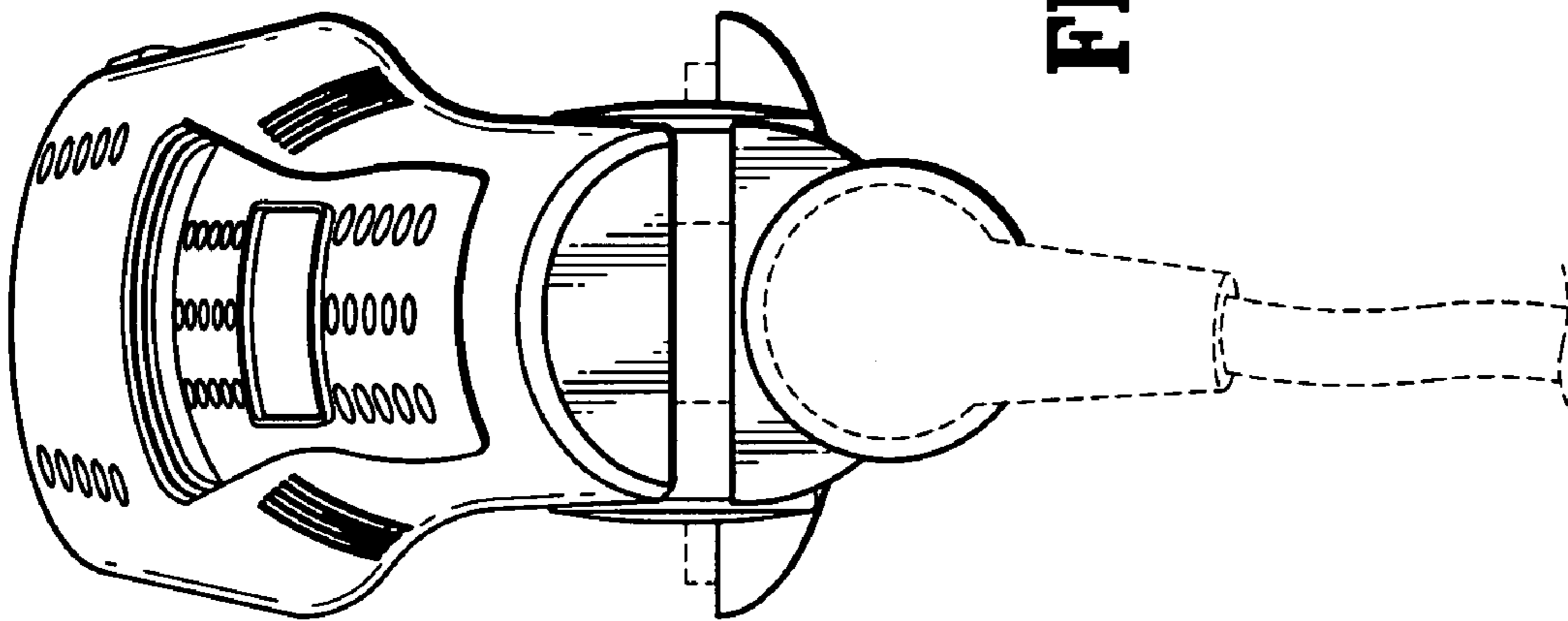


FIG. 6