



US00D559447S

(12) **United States Design Patent**  
**Leung**

(10) **Patent No.:** **US D559,447 S**

(45) **Date of Patent:** **\*\* Jan. 8, 2008**

(54) **HAIR STRAIGHTENING IRON**

(75) Inventor: **Anthony Kit Lun Leung**, North Point (CN)

(73) Assignee: **Conair Corporation**, Stamford, CT (US)

(\*\*) Term: **14 Years**

(21) Appl. No.: **29/286,047**

(22) Filed: **Apr. 20, 2007**

(51) **LOC (8) Cl.** ..... **28-03**

(52) **U.S. Cl.** ..... **D28/35**

(58) **Field of Classification Search** ..... D28/35-38;  
132/222-269; 219/222, 225-226  
See application file for complete search history.

(56) **References Cited**

**U.S. PATENT DOCUMENTS**

- D534,684 S \* 1/2007 Ceva ..... D28/35
- D537,983 S \* 3/2007 Shin ..... D28/35
- D544,646 S \* 6/2007 Overend ..... D28/35

2006/0037625 A1\* 2/2006 Kayser et al. .... 132/224  
\* cited by examiner

*Primary Examiner*—Jennifer Rivard  
(74) *Attorney, Agent, or Firm*—Lawrence Cruz

(57) **CLAIM**

The ornamental design for a hair straightening iron, as shown and described.

**DESCRIPTION**

FIG. 1 is a perspective view of a hair straightening iron showing my new design;

FIG. 2 is a right side view thereof;

FIG. 3 is a left side view thereof;

FIG. 4 is a top view thereof;

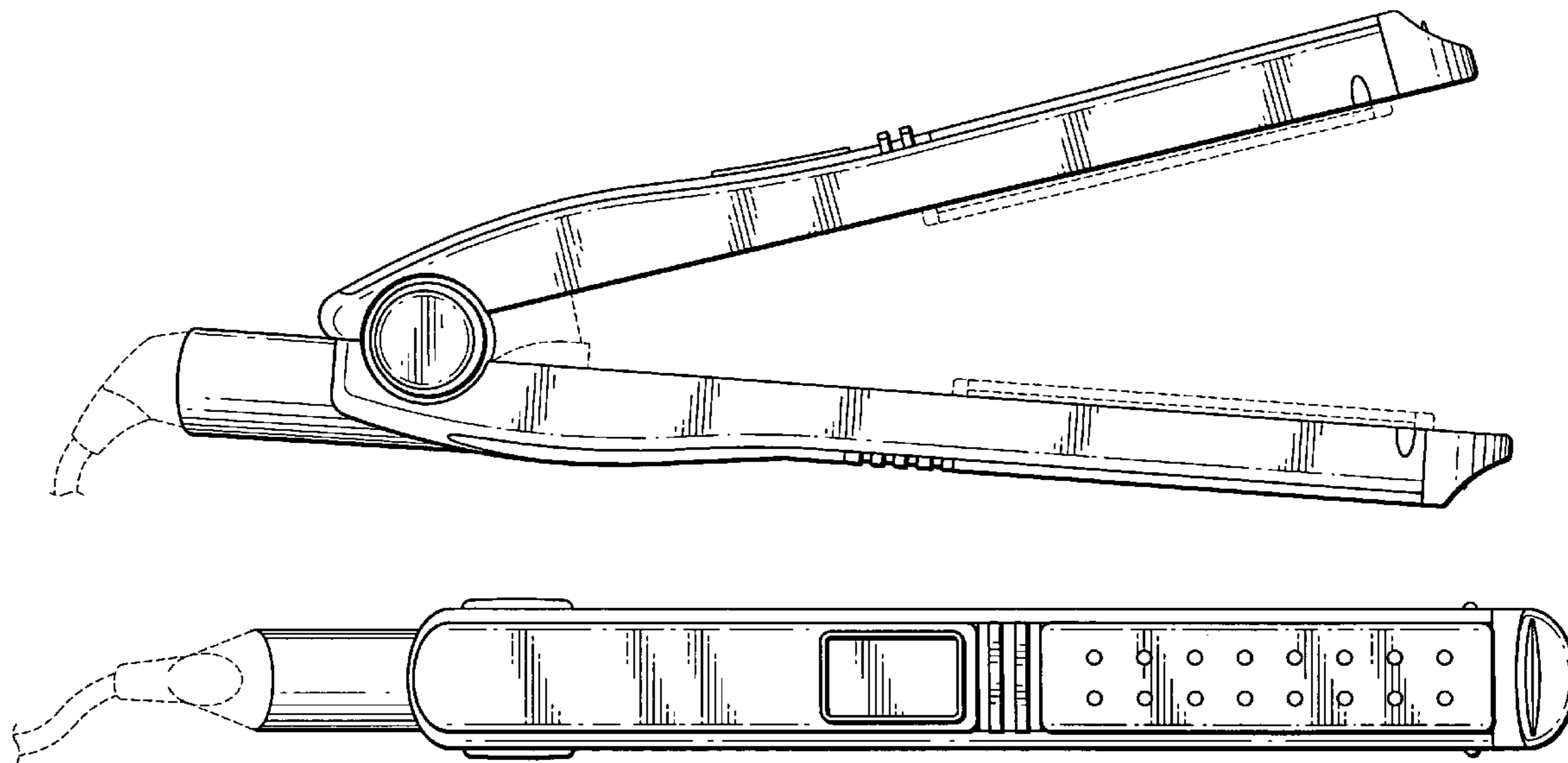
FIG. 5 is a bottom view thereof;

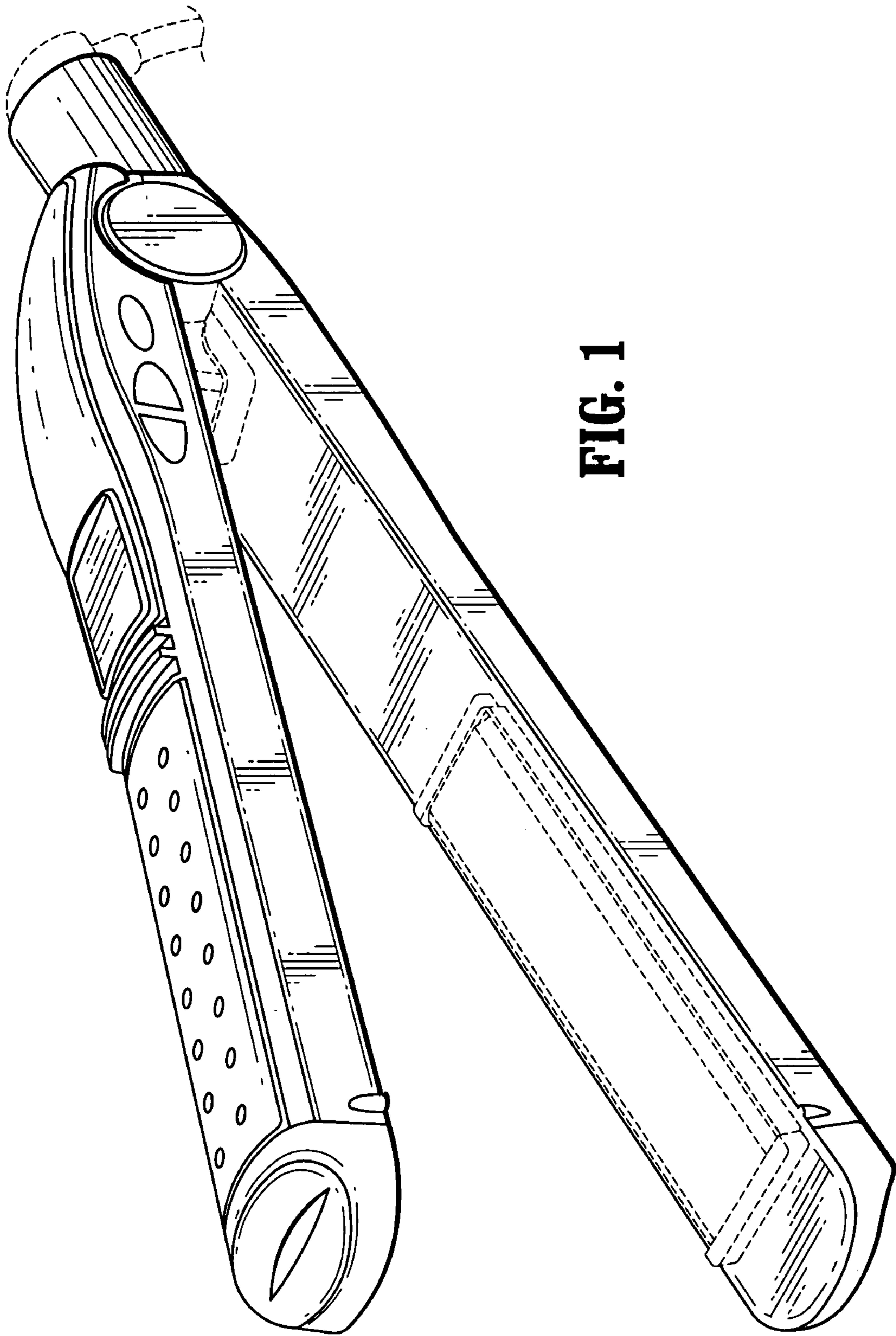
FIG. 6 is a rear view thereof; and,

FIG. 7 is a front view.

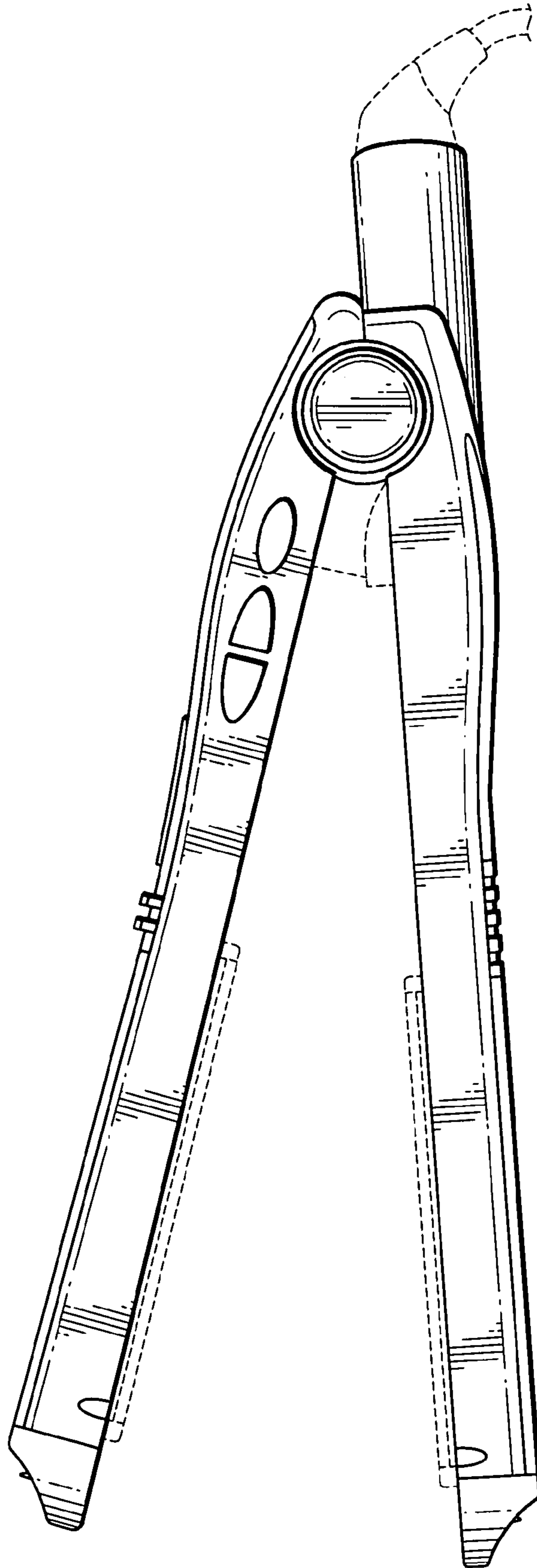
The broken lines are shown for illustrative purposes only and form no part of the claimed design.

**1 Claim, 6 Drawing Sheets**





**FIG. 1**



**FIG. 2**

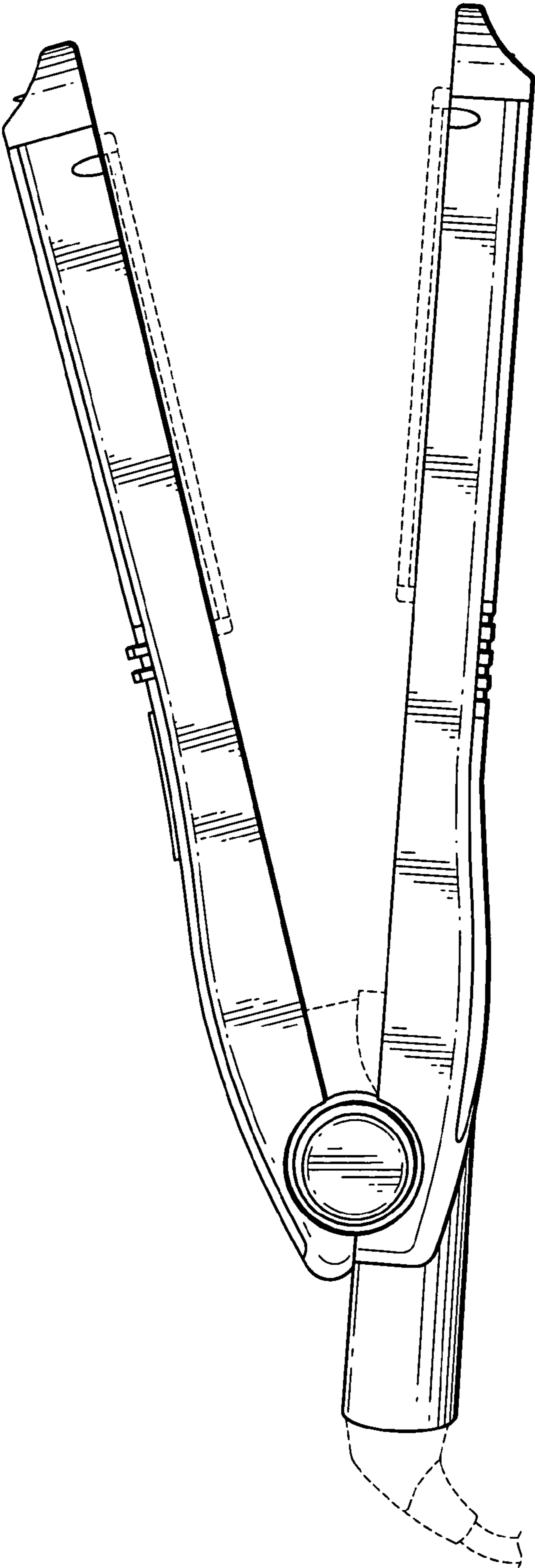
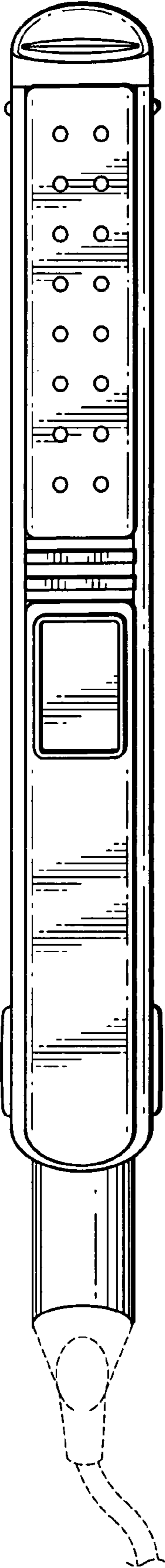
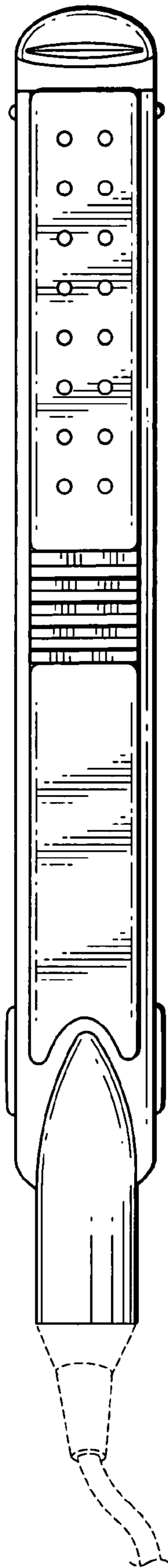


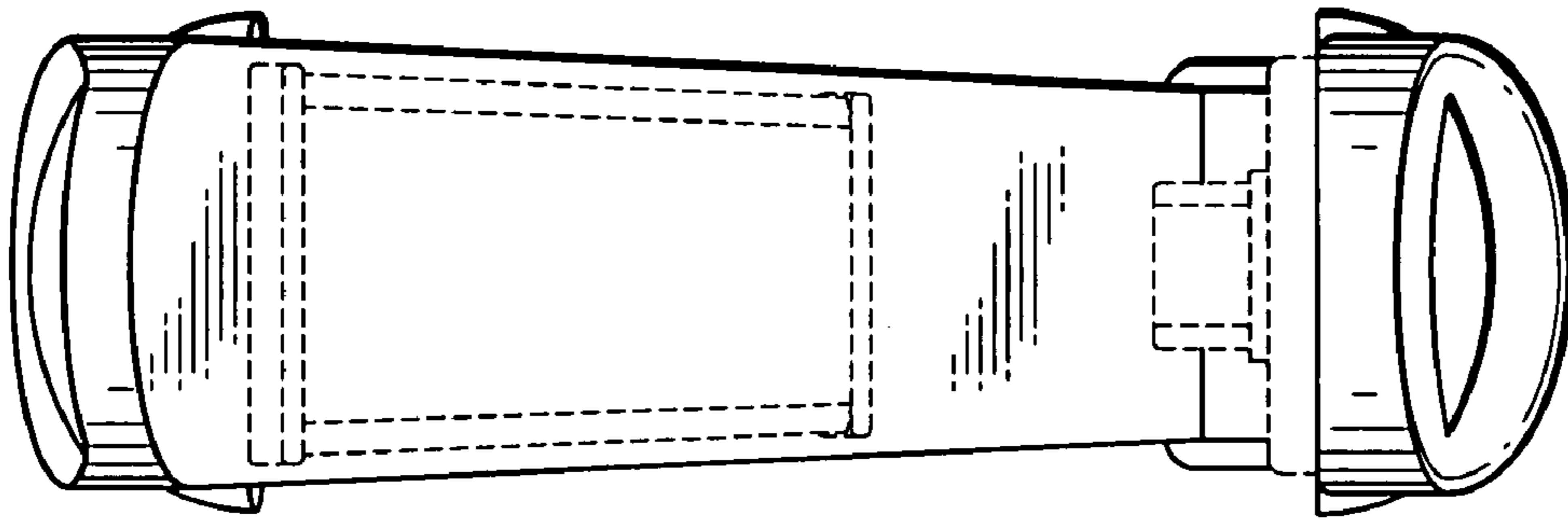
FIG. 3



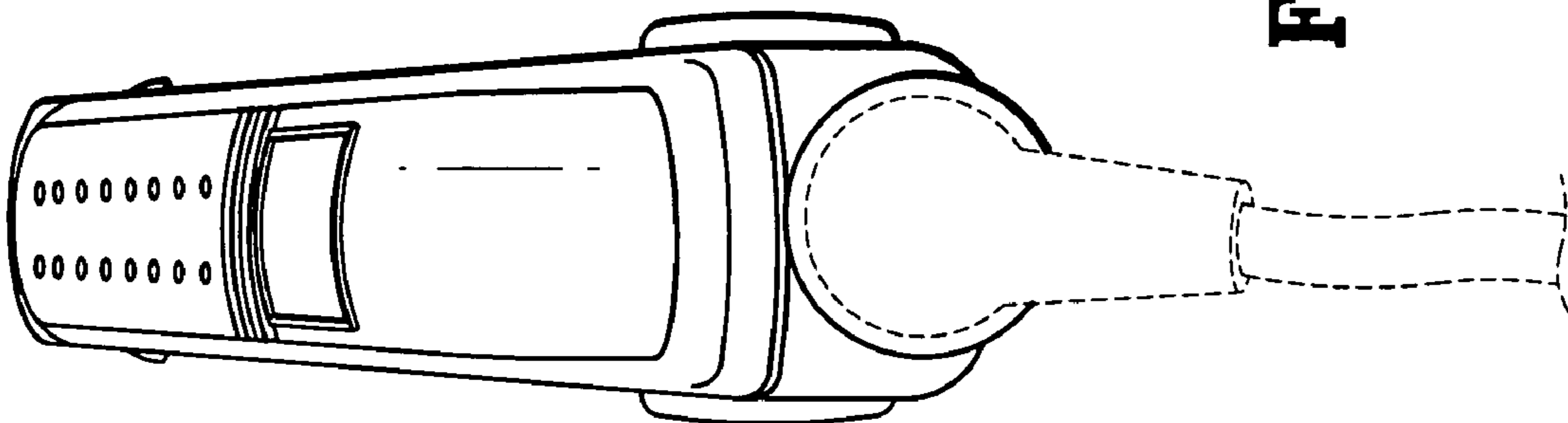
**FIG. 4**



**FIG. 5**



**FIG. 7**



**FIG. 6**