



US00D559445S

(12) **United States Design Patent**
Chudzik

(10) **Patent No.:** **US D559,445 S**
(45) **Date of Patent:** **** Jan. 8, 2008**

- (54) **COMB**
- (75) Inventor: **Stan Chudzik**, Alpharetta, GA (US)
- (73) Assignee: **Goody Products, Inc.**, Freeport, IL (US)
- (**) Term: **14 Years**
- (21) Appl. No.: **29/275,472**
- (22) Filed: **Dec. 27, 2006**

- (51) **LOC (8) Cl.** **28-03**
- (52) **U.S. Cl.** **D28/21**
- (58) **Field of Classification Search** D28/21-34,
D28/39, 40-43; 428/4, 5; 132/101, 126,
132/128, 129, 130, 131, 144, 148, 273-284
See application file for complete search history.

(56) **References Cited**

U.S. PATENT DOCUMENTS

D118,941 S *	2/1940	Kahn	D28/23
D143,972 S *	2/1946	Kahn	D28/21
D155,464 S *	10/1949	Ul vad	D28/21
3,192,934 A *	7/1965	Catania	132/136
D234,060 S *	1/1975	Edmund	D28/25
D247,858 S *	5/1978	Moya	D28/30
4,421,129 A *	12/1983	Wingard	132/163
D311,602 S *	10/1990	Battaglia	D28/30
D315,428 S *	3/1991	Davies	D28/30
D369,435 S *	4/1996	Bozak	D28/30
D428,529 S *	7/2000	Lucero	D28/25

D471,670 S * 3/2003 Kim et al. D28/30
* cited by examiner

Primary Examiner—Janice E. Seeger
Assistant Examiner—Zenia I. Bennett
(74) *Attorney, Agent, or Firm*—Marshall, Gerstein & Borun LLP

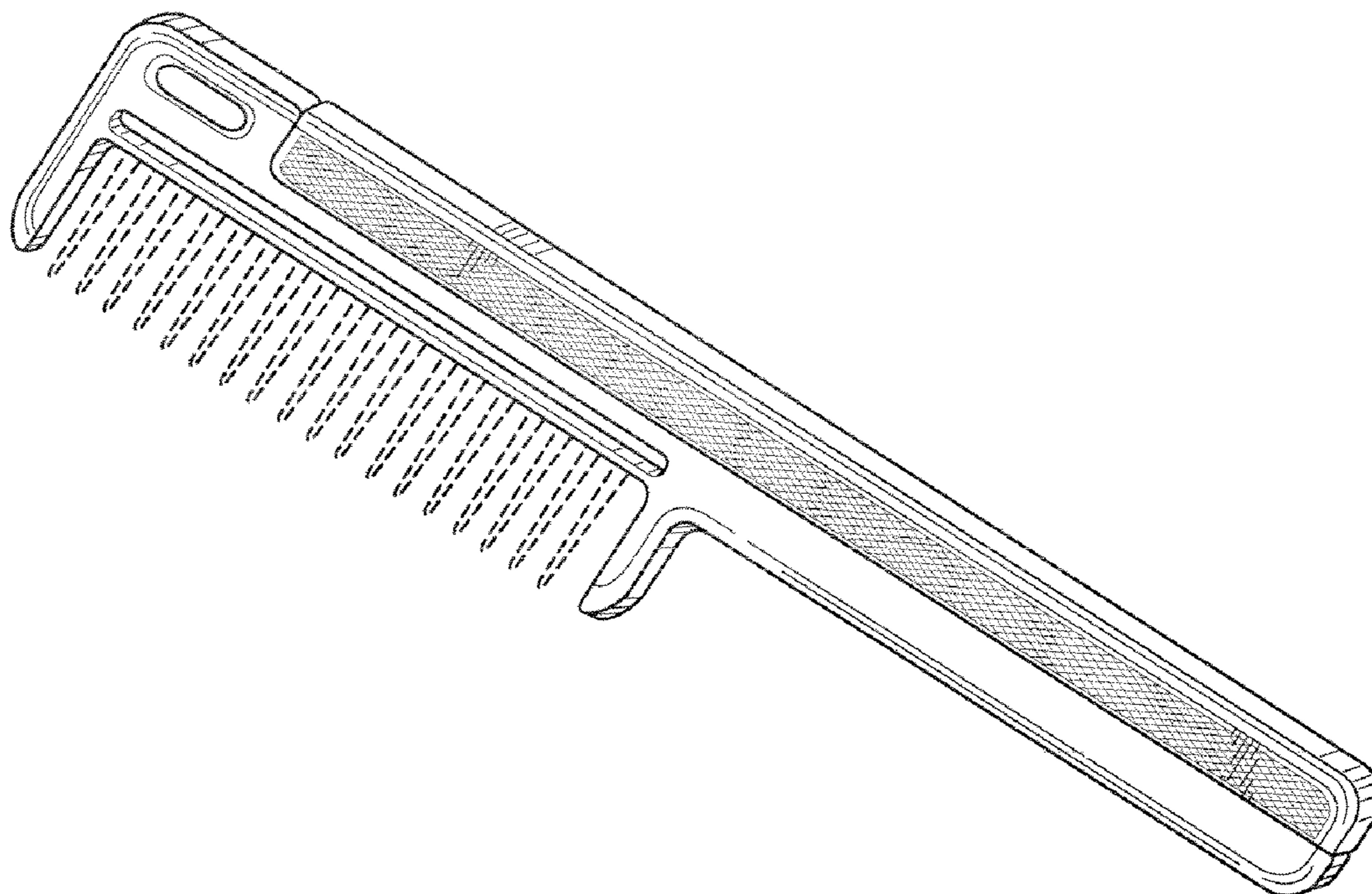
(57) **CLAIM**

The ornamental design for a “comb,” as shown and described.

DESCRIPTION

FIG. 1 is a perspective view from the front and left of the comb showing my new design;
FIG. 2 is a front view thereof;
FIG. 3 is a rear view thereof;
FIG. 4 is a right side elevational view thereof;
FIG. 5 is a left side elevational view thereof;
FIG. 6 is a top plan view thereof;
FIG. 7 is a bottom view thereof;
FIG. 8 is a detail view of the pattern used in the surface treatment on the handle or grip portion of the comb as illustrated in FIGS. 1-3; and,
FIG. 9 is a detail view of an alternative embodiment of a pattern used in the surface treatment on the handle or grip portion of the comb as illustrated in FIGS. 1-3.

1 Claim, 2 Drawing Sheets



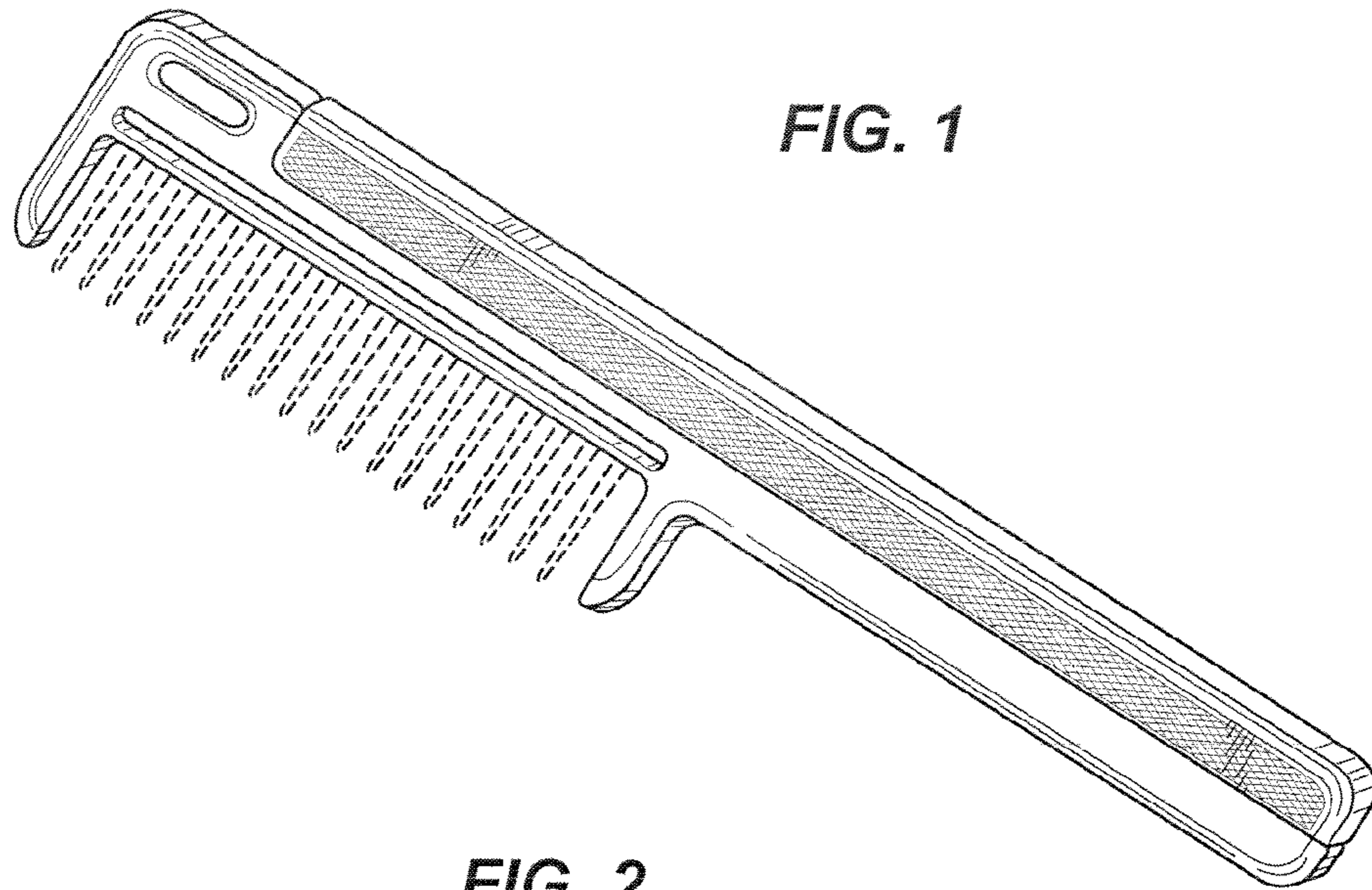


FIG. 1

FIG. 2

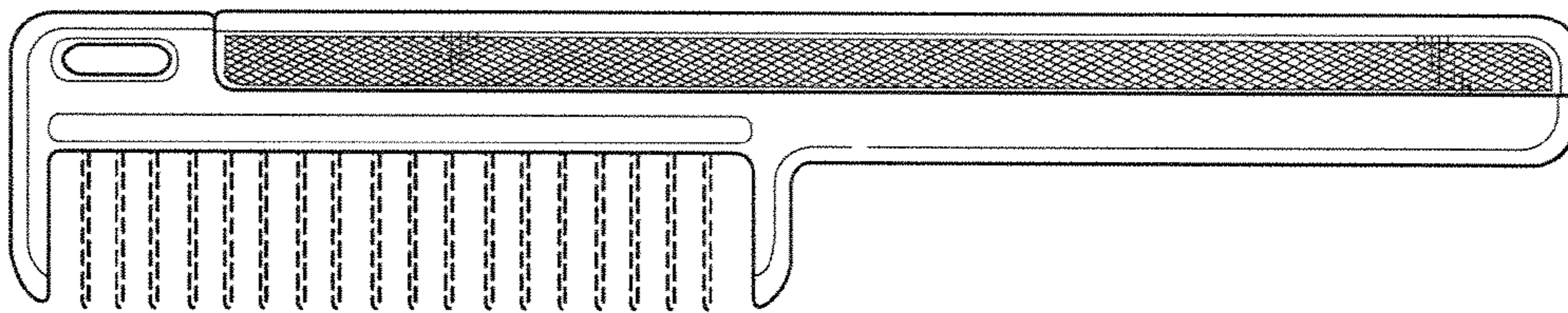


FIG. 3

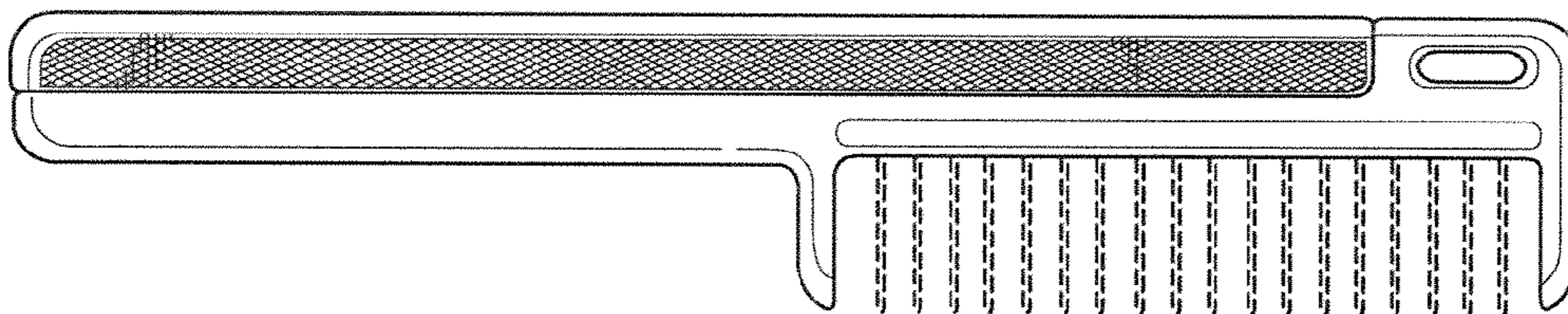


FIG. 4

FIG. 5

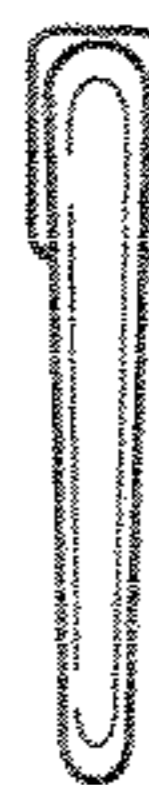


FIG. 6



FIG. 7



FIG. 8

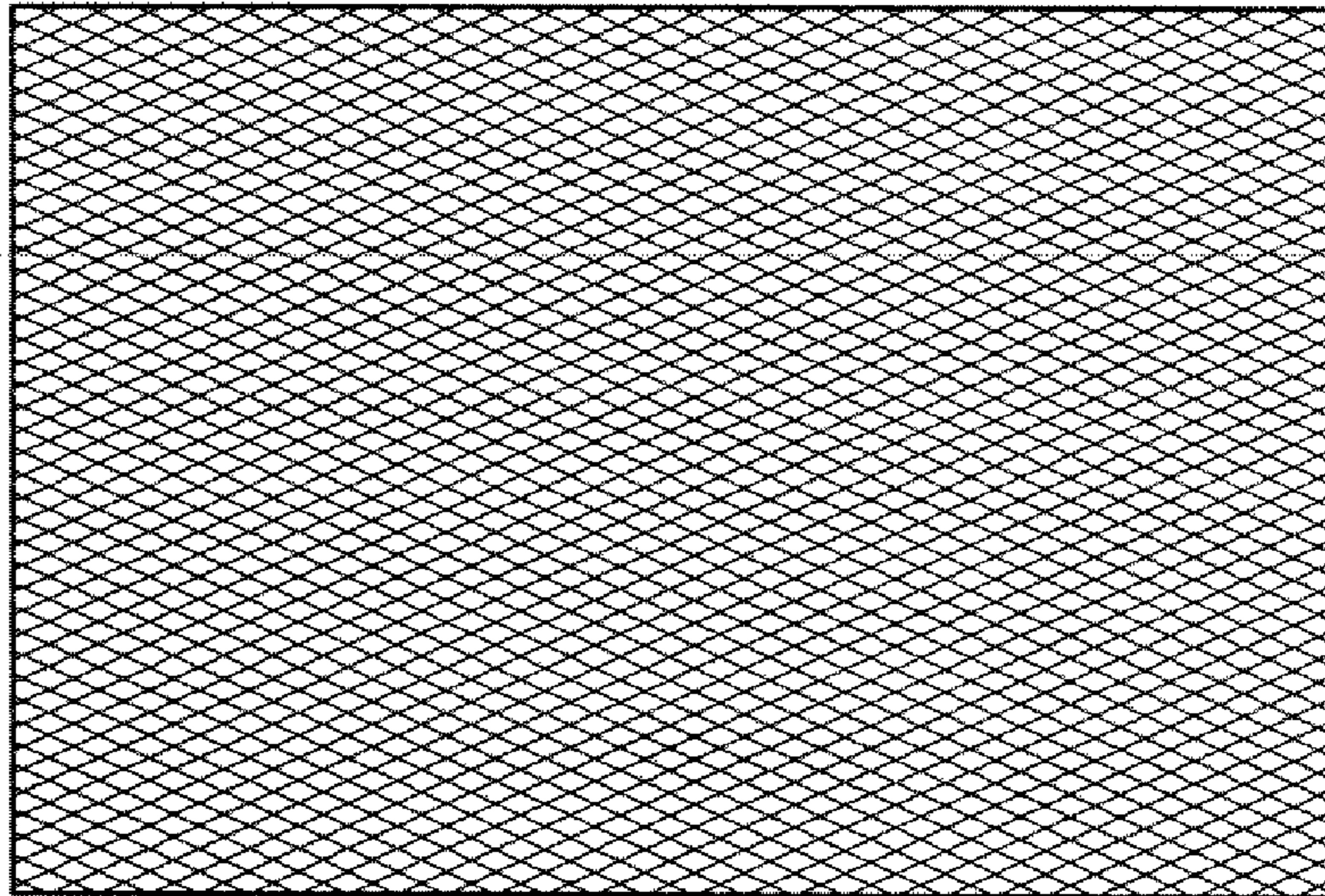


FIG. 9

