



US00D559432S

(12) **United States Design Patent**
Moriyama et al.

(10) **Patent No.:** **US D559,432 S**
(45) **Date of Patent:** **** Jan. 8, 2008**

(54) **LENS FOR LED**

(75) Inventors: **Hideo Moriyama**, Tokyo (JP);
Kiyotoshi Hoshikawa, Tokyo (JP)

(73) Assignee: **Moriyama Sangyo Kabushiki Kaisha**,
Tokyo (JP)

(**) Term: **14 Years**

(21) Appl. No.: **29/232,102**

(22) Filed: **Jun. 14, 2005**

(30) **Foreign Application Priority Data**

Dec. 14, 2004 (JP) 2004-040593

(51) **LOC (8) Cl.** **26-99**

(52) **U.S. Cl.** **D26/120**

(58) **Field of Classification Search** D26/139,
D26/142, 152, 77, 76, 37, 123, 128, 120,
D26/118, 113, 138, 3, 28, 72, 124, 121, 122,
D26/75, 79, 90, 105; D13/180; 362/614,
362/611, 612, 632, 555, 516, 147, 148, 216,
362/217, 260, 291, 296, 297, 341, 346, 404,
362/407, 431, 800

See application file for complete search history.

(56) **References Cited**

U.S. PATENT DOCUMENTS

6,061,160 A * 5/2000 Maruyama 398/201
D439,351 S * 3/2001 Kiba et al. D26/37

6,392,778 B1 * 5/2002 Perduijn et al. 359/245
6,501,103 B1 * 12/2002 Jory et al. 257/100
D477,580 S * 7/2003 Kamada D13/182
D491,899 S * 6/2004 Yagi D13/180

* cited by examiner

Primary Examiner—Freda S. Nunn

Assistant Examiner—Kevin K Rudzinski

(74) *Attorney, Agent, or Firm*—Marshall & Melhorn, LLC

(57) **CLAIM**

The ornamental design for a lens for LED, as shown and described.

DESCRIPTION

FIG. 1 is a perspective view of a lens for LED showing our new design;

FIG. 2 is a top view thereof;

FIG. 3 is a front view thereof, a rear view being identical with the front view;

FIG. 4 is a bottom view thereof;

FIG. 5 is a right side view thereof, a left side view being identical with the right side view;

FIG. 6 is a cross-sectional view thereof taken along the line VI—VI in FIG. 3; and,

FIG. 7 is an illustrative perspective view for showing the lens in use, in which portions shown in broken lines form no part of the claimed design.

1 Claim, 3 Drawing Sheets

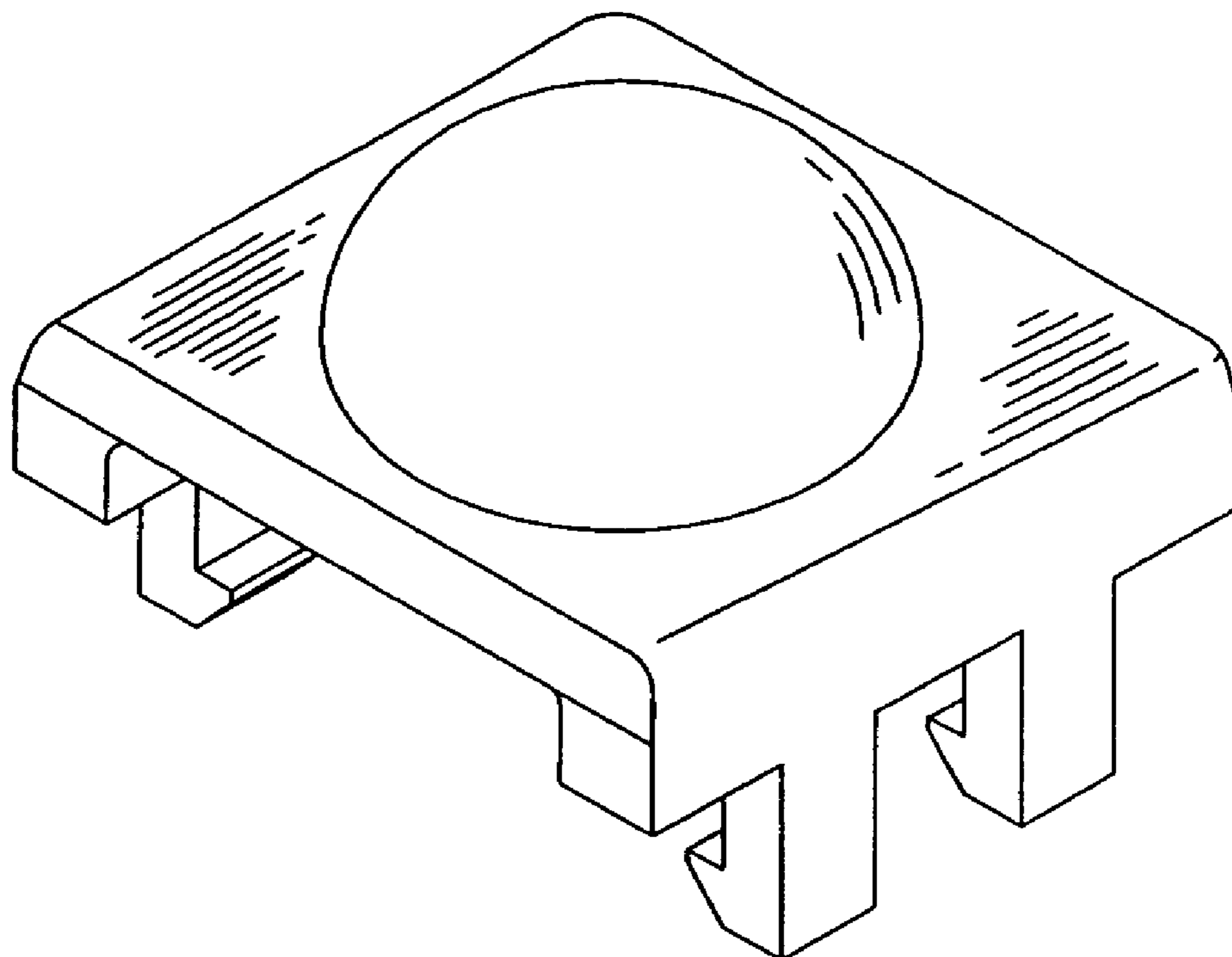


Fig. 1

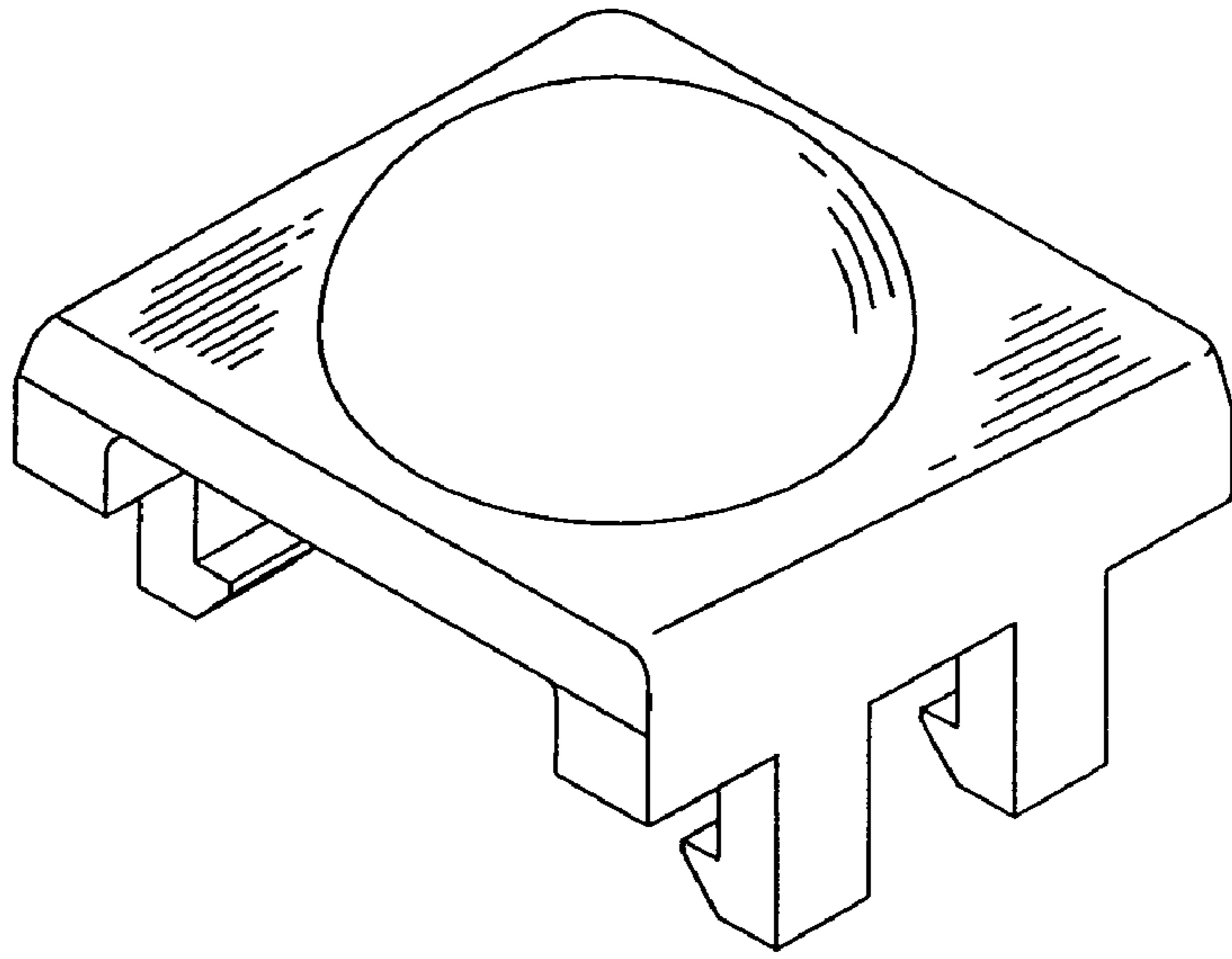
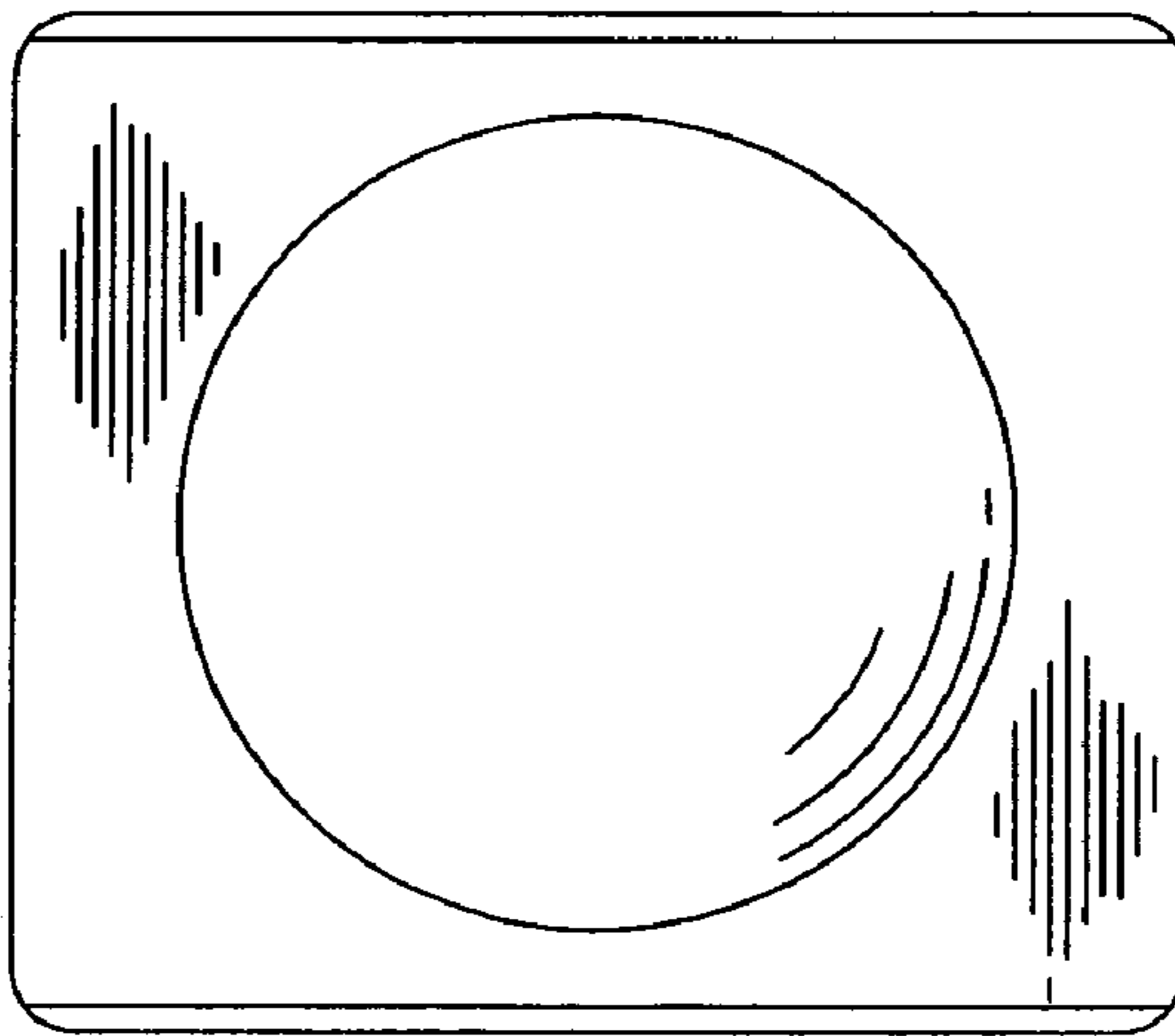
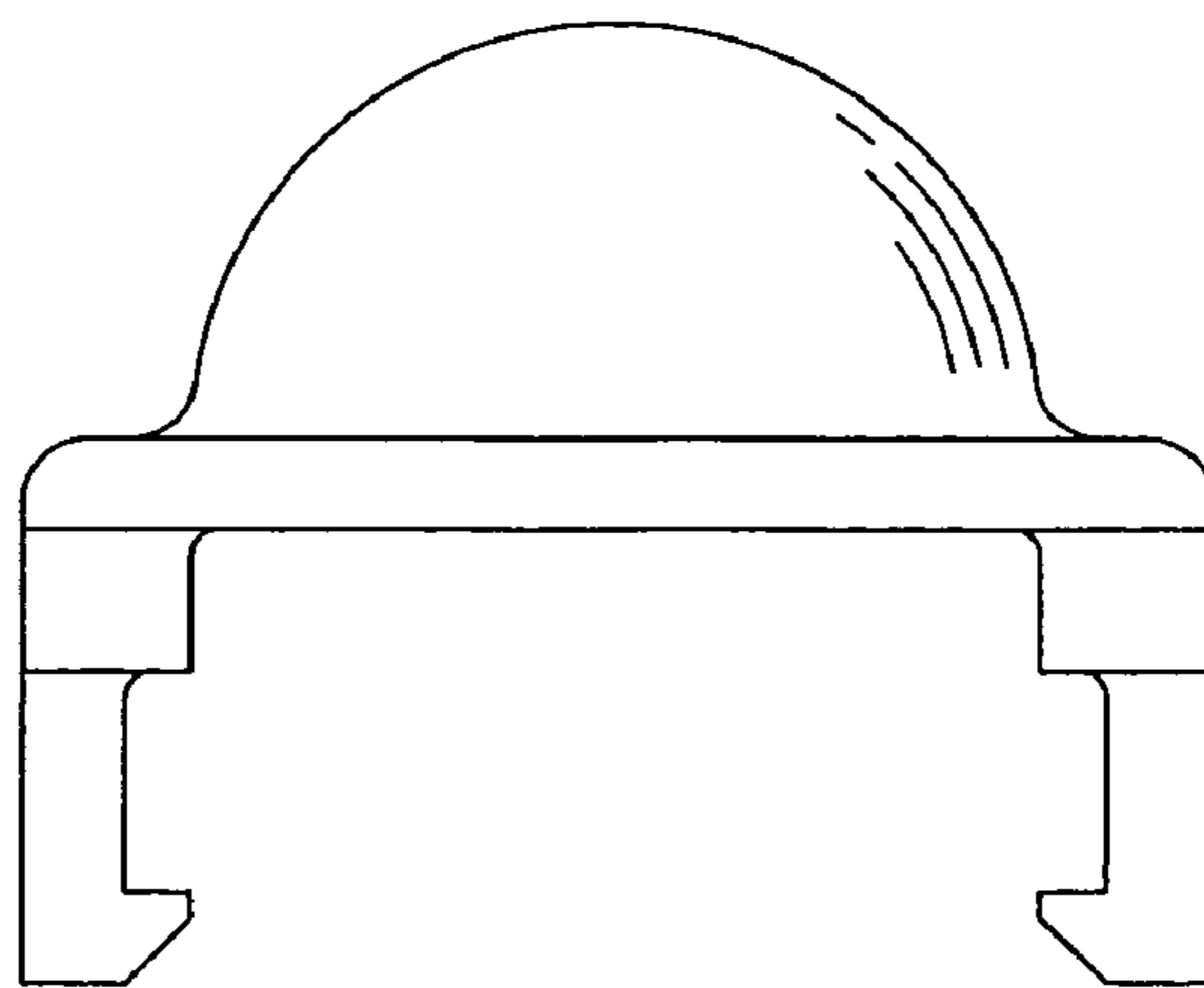


Fig. 2



VI ←

Fig. 3



VI ←

Fig.4

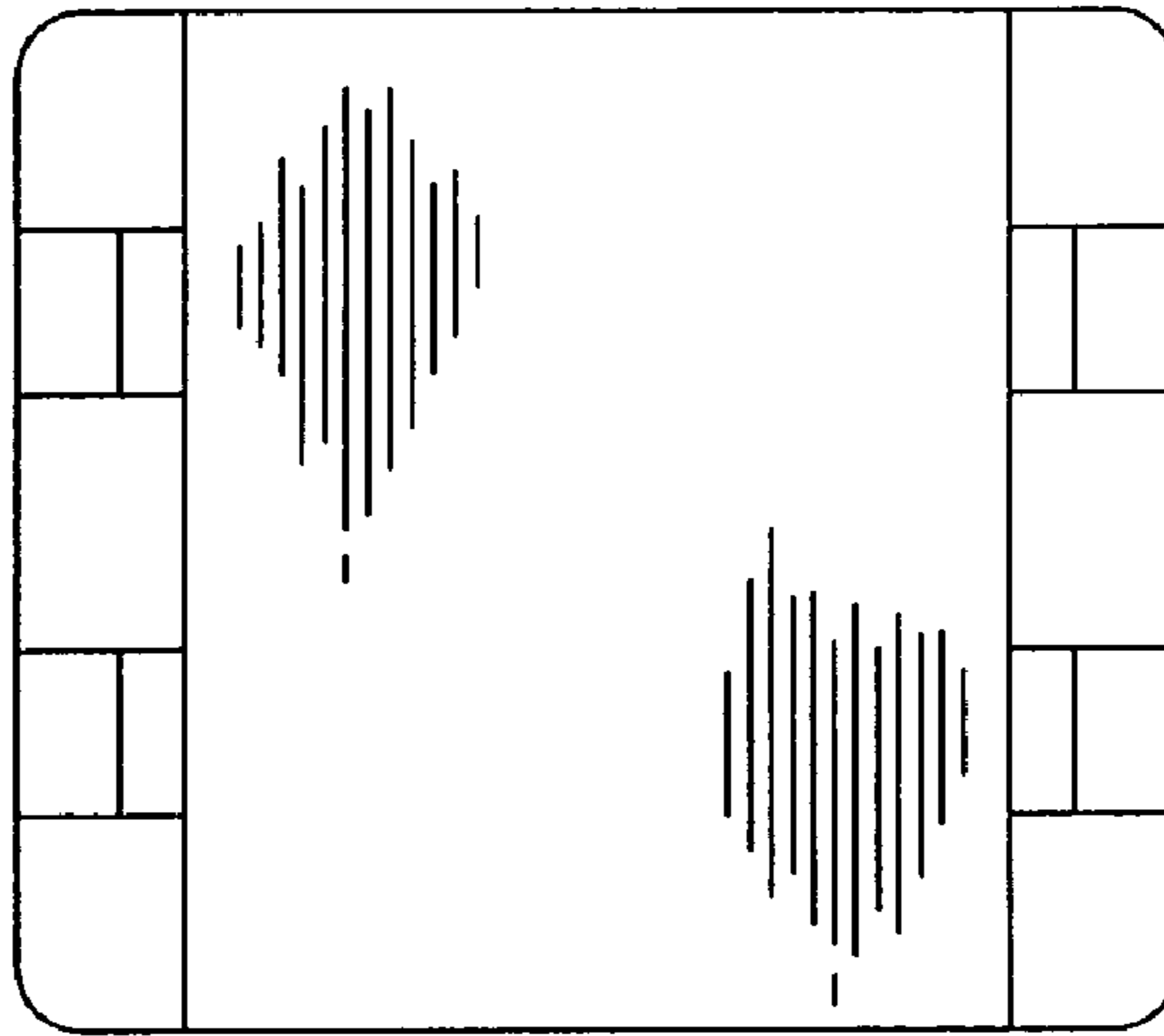


Fig.5

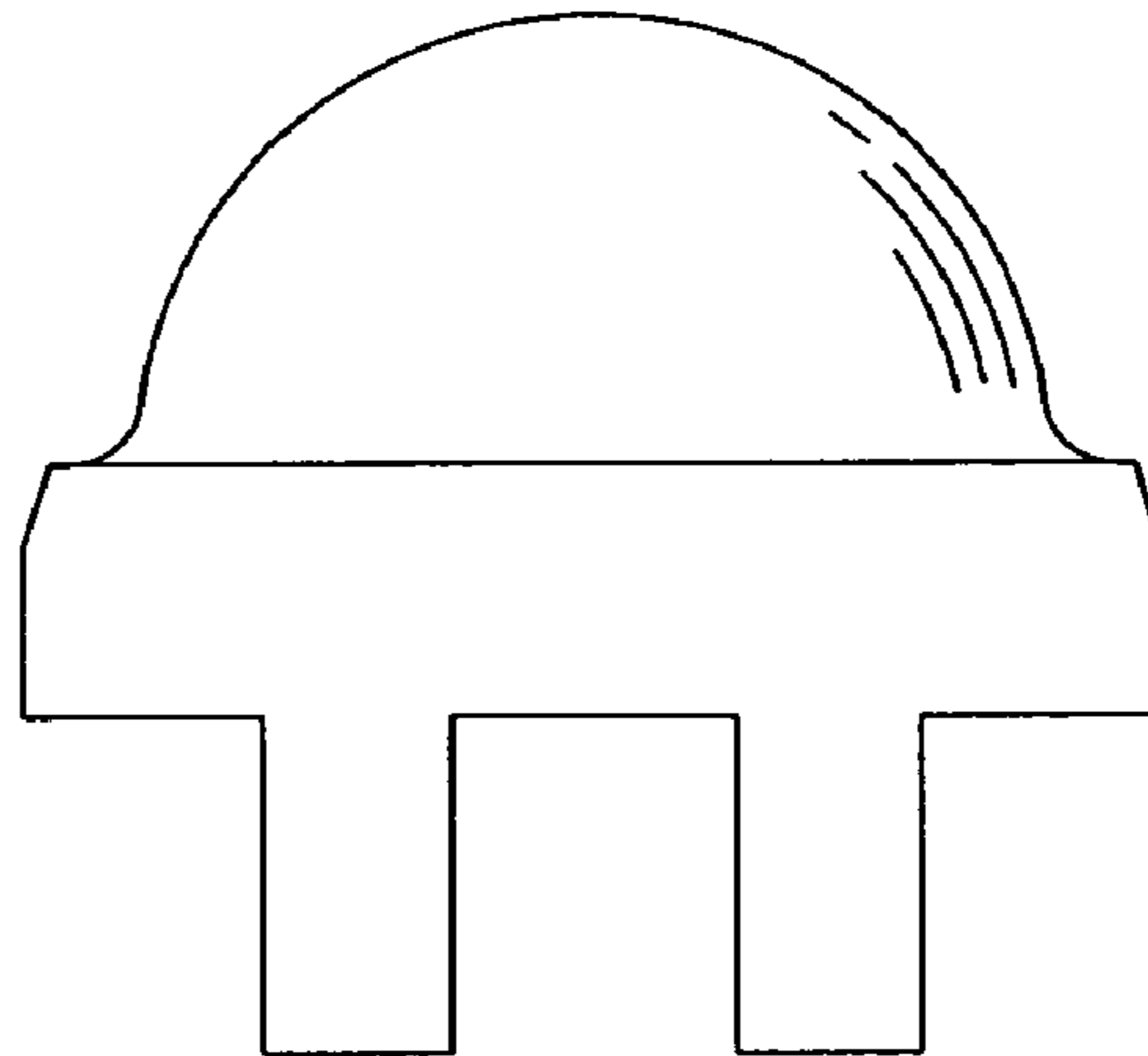


Fig.6

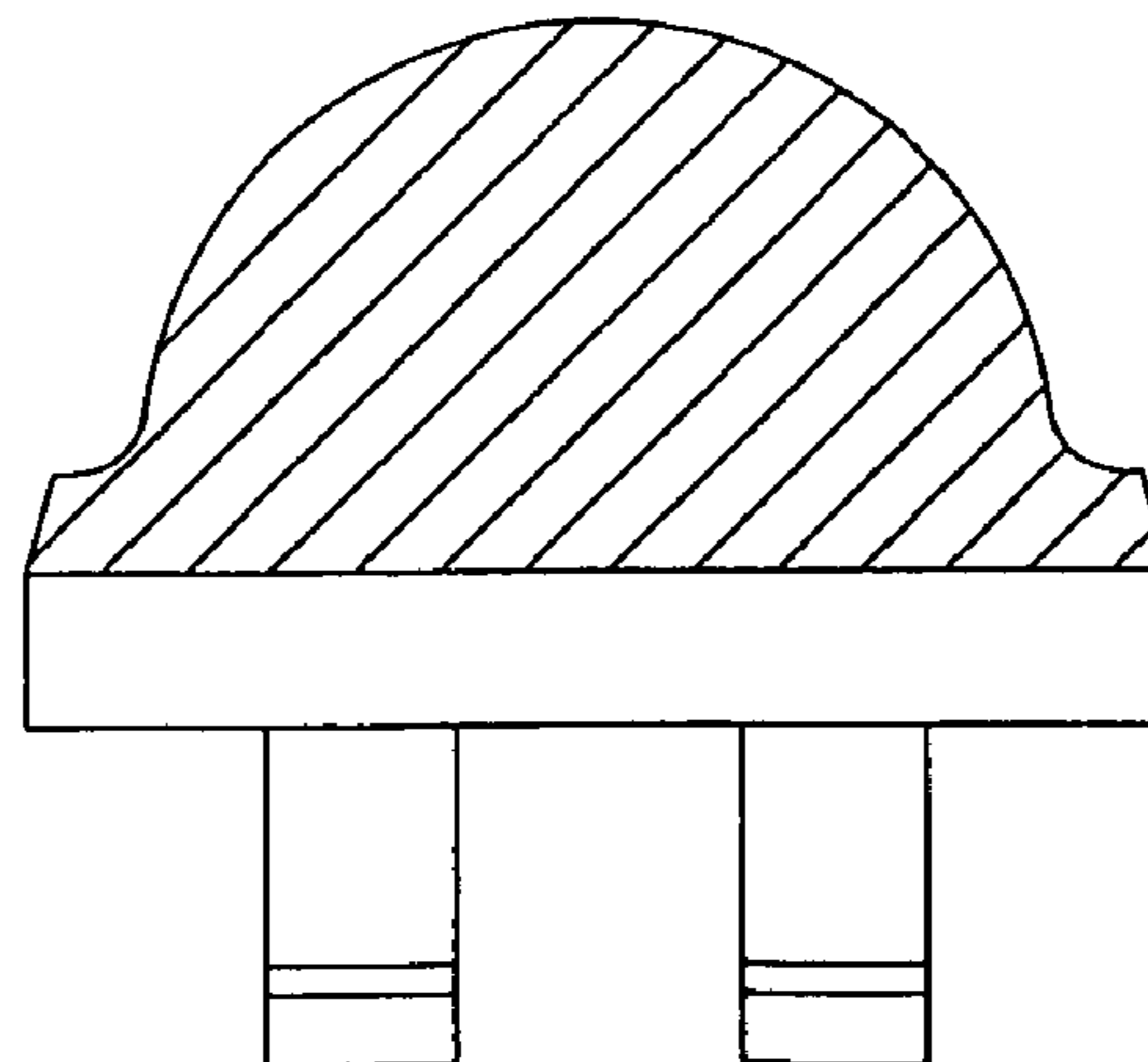


Fig. 7

