



US00D559425S

(12) **United States Design Patent**  
**Porter**

(10) **Patent No.:** **US D559,425 S**  
(45) **Date of Patent:** **\*\* Jan. 8, 2008**

(54) **LIGHTING FIXTURE**

(75) Inventor: **David H. Porter**, Chagrin Falls, OH  
(US)

(73) Assignee: **The L.D. Kichler Co.**, Cleveland, OH  
(US)

(\*\*) Term: **14 Years**

(21) Appl. No.: **29/214,487**

(22) Filed: **Oct. 4, 2004**

**Related U.S. Application Data**

(63) Continuation of application No. 29/143,920, filed on  
Jun. 21, 2001, now Pat. No. Des. 510,452.

(51) **LOC (8) Cl.** ..... **26-03**

(52) **U.S. Cl.** ..... **D26/87; D26/92**

(58) **Field of Classification Search** ..... D26/72,  
D26/80-92, 143, 144, 73; 362/147, 404-408  
See application file for complete search history.

(56) **References Cited**

**U.S. PATENT DOCUMENTS**

D62,514 S *	6/1923	Williamson	.....	D26/92
1,494,208 A *	5/1924	Bailey	.....	362/432
D113,501 S *	2/1939	Alm et al.	.....	D26/86
D300,373 S *	3/1989	Galipeau et al.	.....	D26/67
D347,905 S *	6/1994	Barbour	.....	D26/67
D378,437 S *	3/1997	Togno	.....	D26/92
D432,257 S *	10/2000	Ewing	.....	D26/85

D487,530 S *	3/2004	Hsu	.....	D26/92
D488,580 S *	4/2004	Hsu	.....	D26/92
D510,452 S	10/2005	Porter		
D511,858 S	11/2005	Porter		
D512,177 S	11/2005	Porter		
D541,973 S *	5/2007	Dolan	.....	D26/87

\* cited by examiner

*Primary Examiner*—Clare E Heflin

(74) *Attorney, Agent, or Firm*—Calfee, Halter & Griswold  
LLP

(57) **CLAIM**

I claim the ornamental design for a lighting fixture, as shown  
and described.

**DESCRIPTION**

FIG. 1 is a front elevation of a light fixture showing the new  
design;

FIG. 2 is a rear elevation thereof;

FIG. 3 is a side elevation thereof;

FIG. 4 is an opposite side elevation thereof;

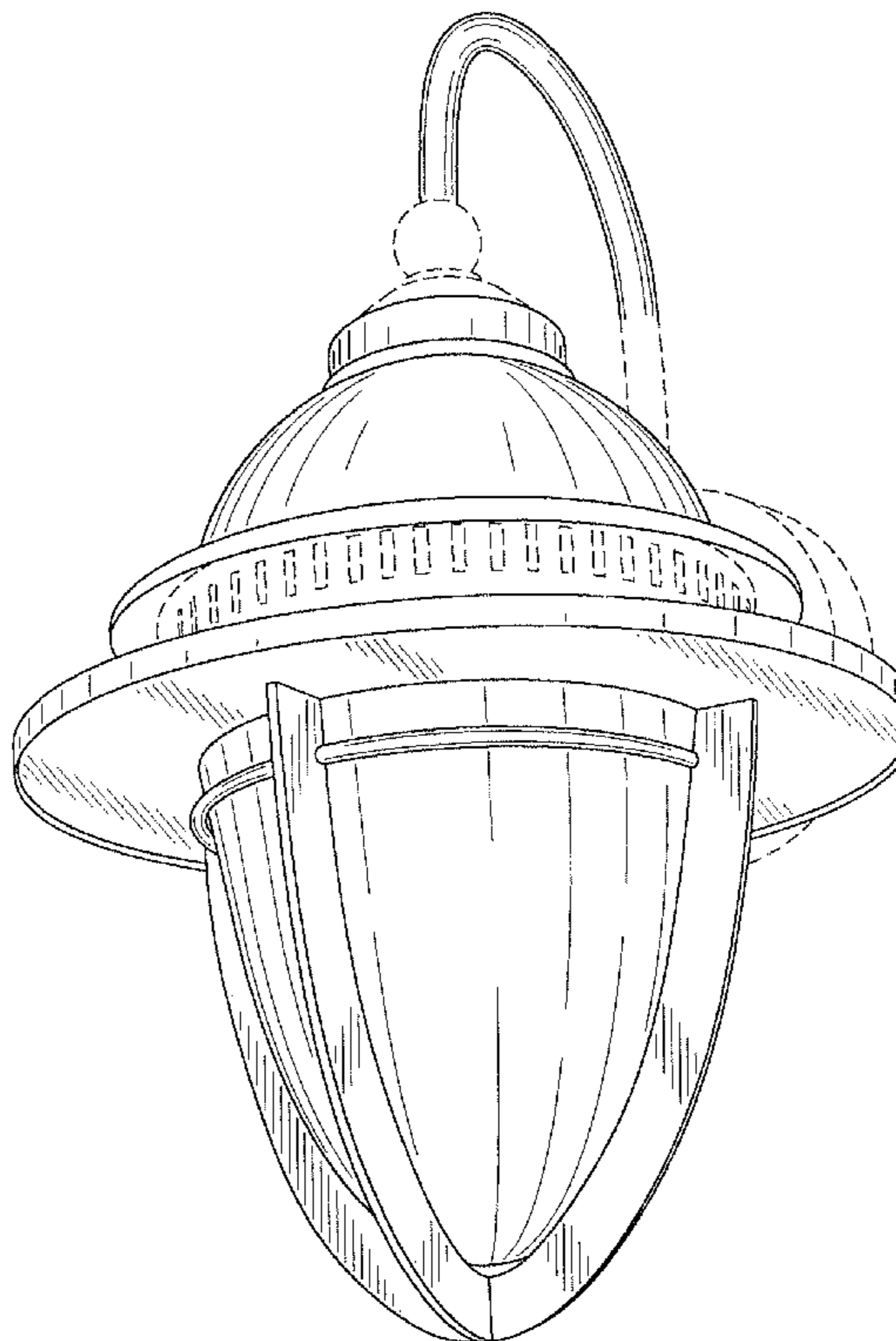
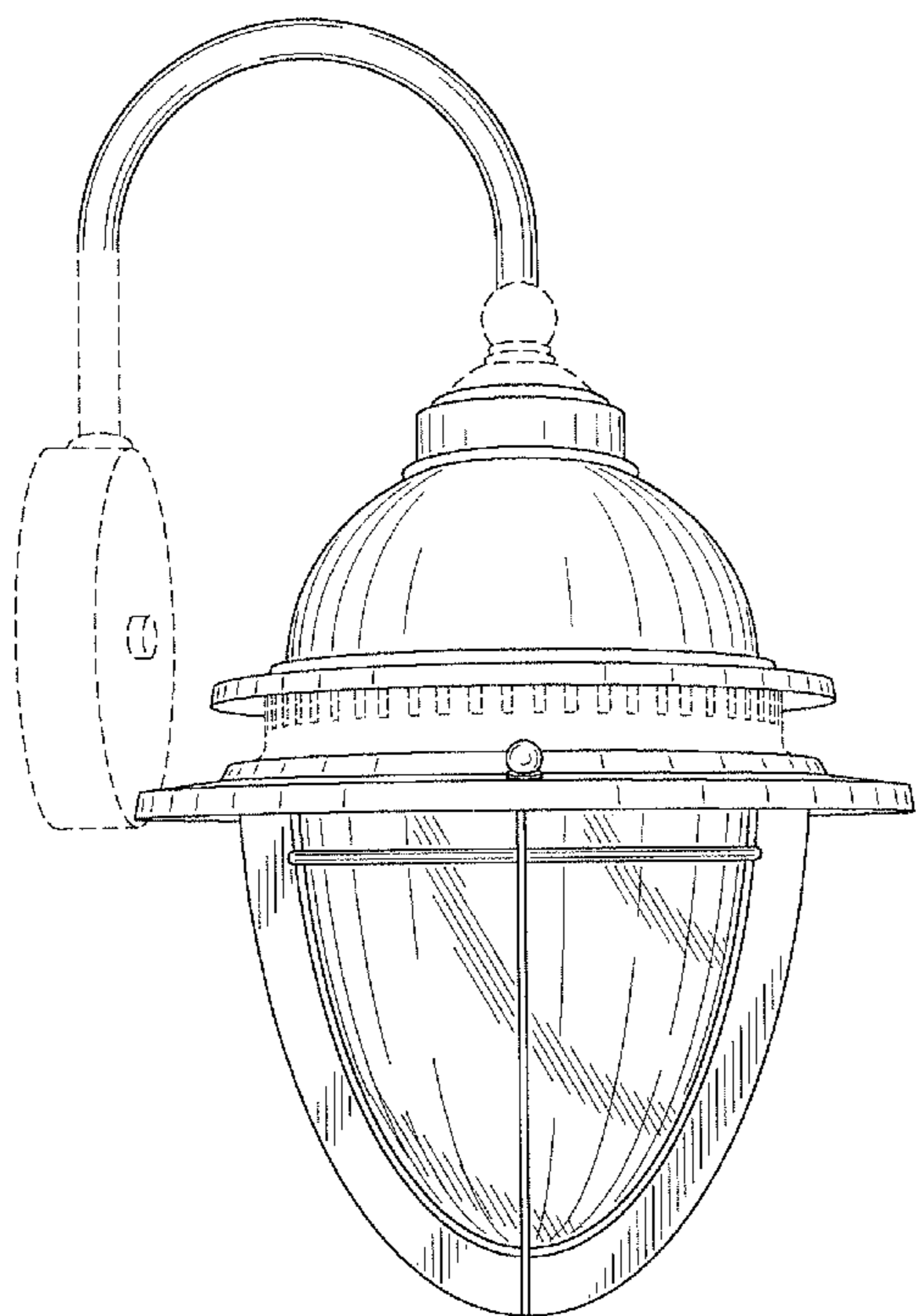
FIG. 5 is a top plan view thereof;

FIG. 6 is a bottom plan view thereof; and,

FIG. 7 is a perspective view thereof.

The broken lines are shown for illustrative purposes only  
and form no part of the claimed design.

**1 Claim, 7 Drawing Sheets**



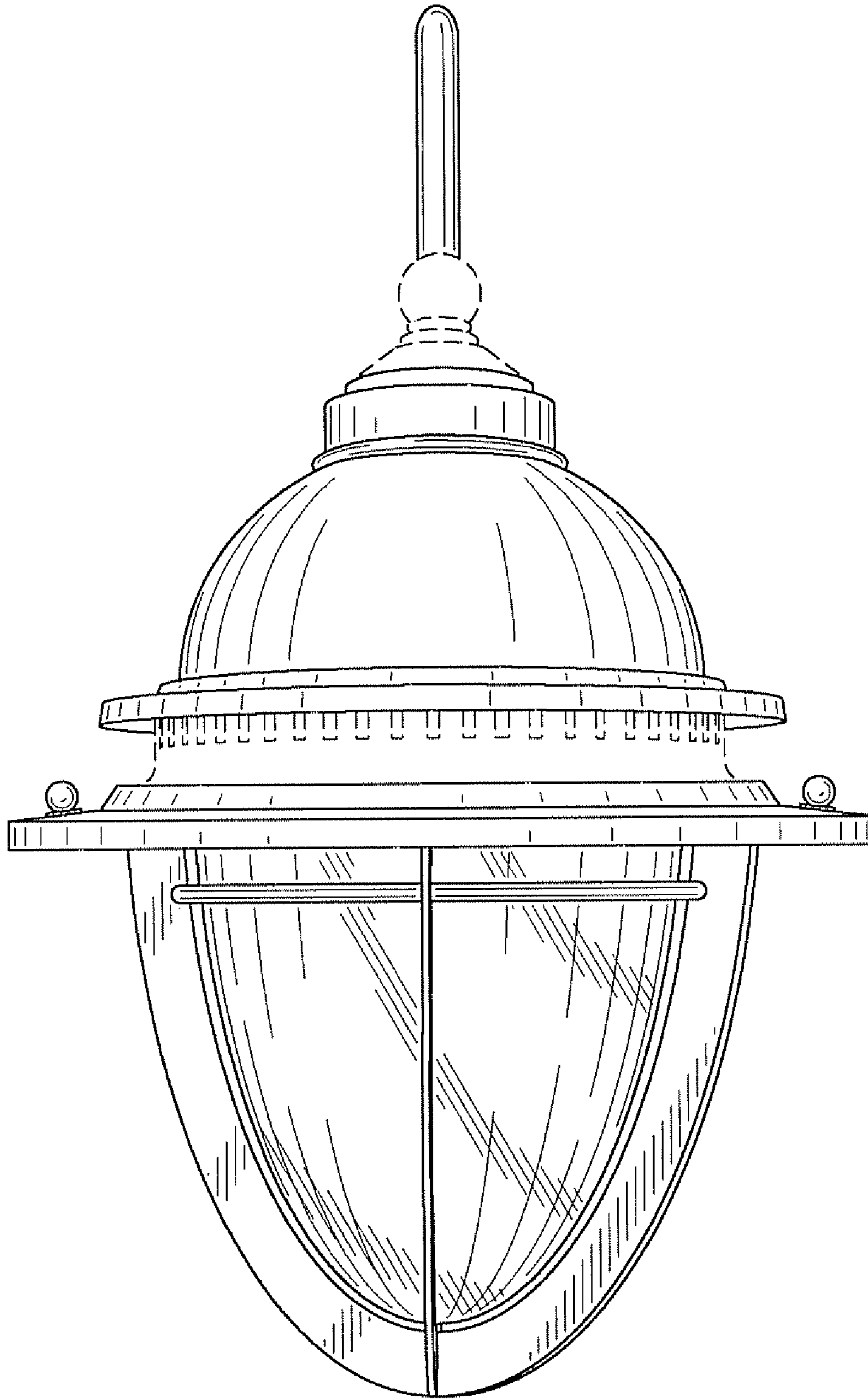


FIG. 1

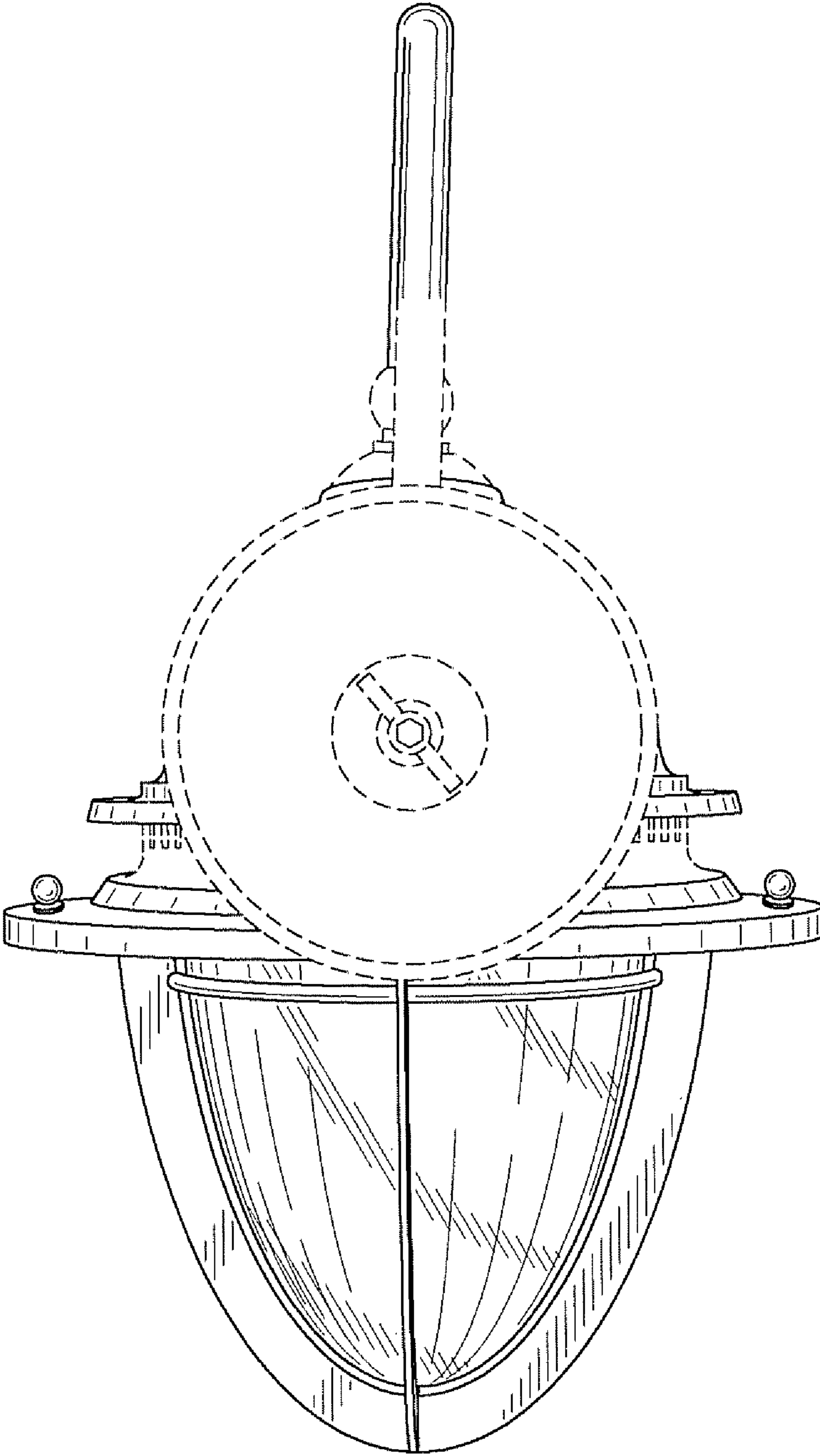


FIG. 2

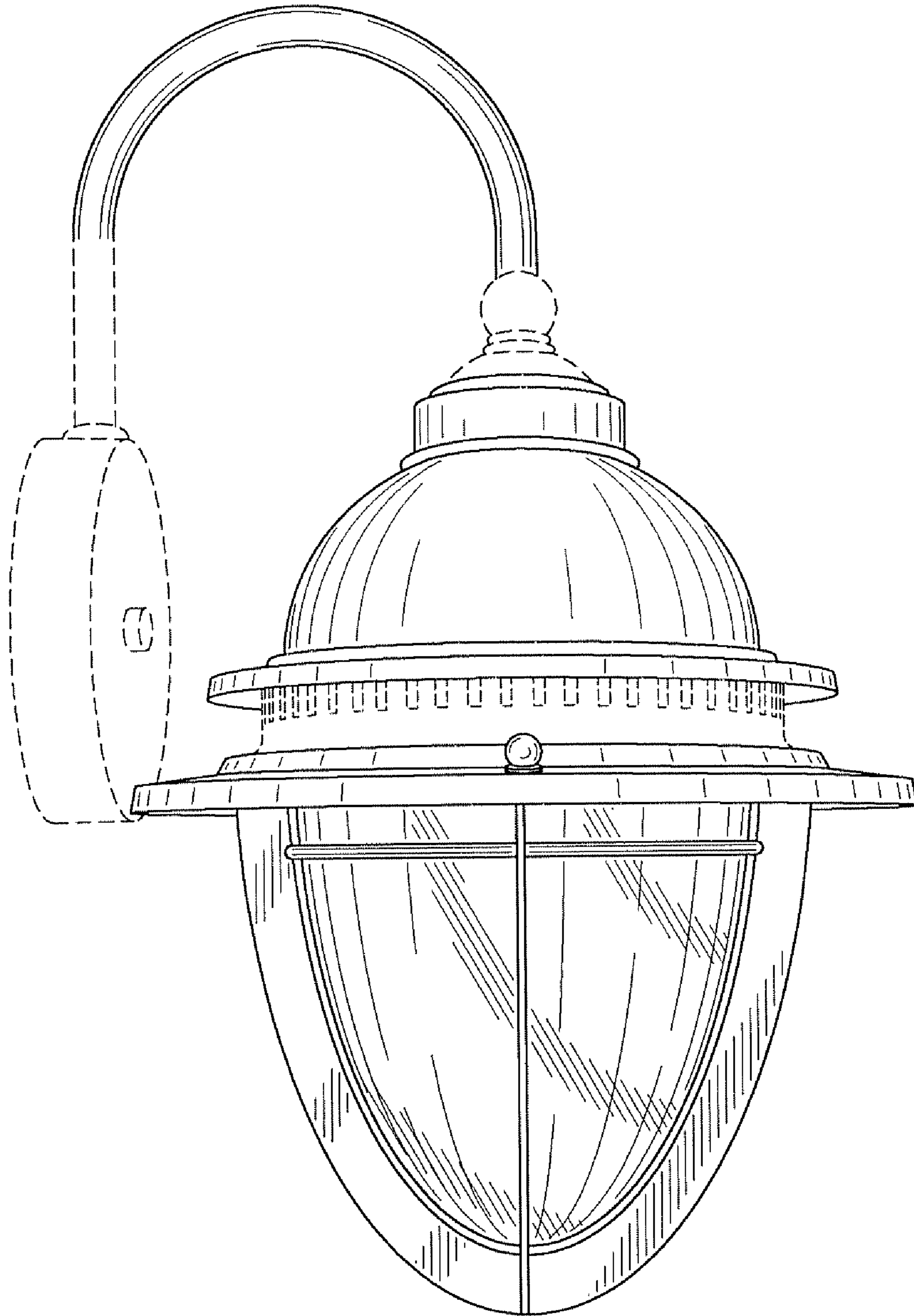


FIG. 3

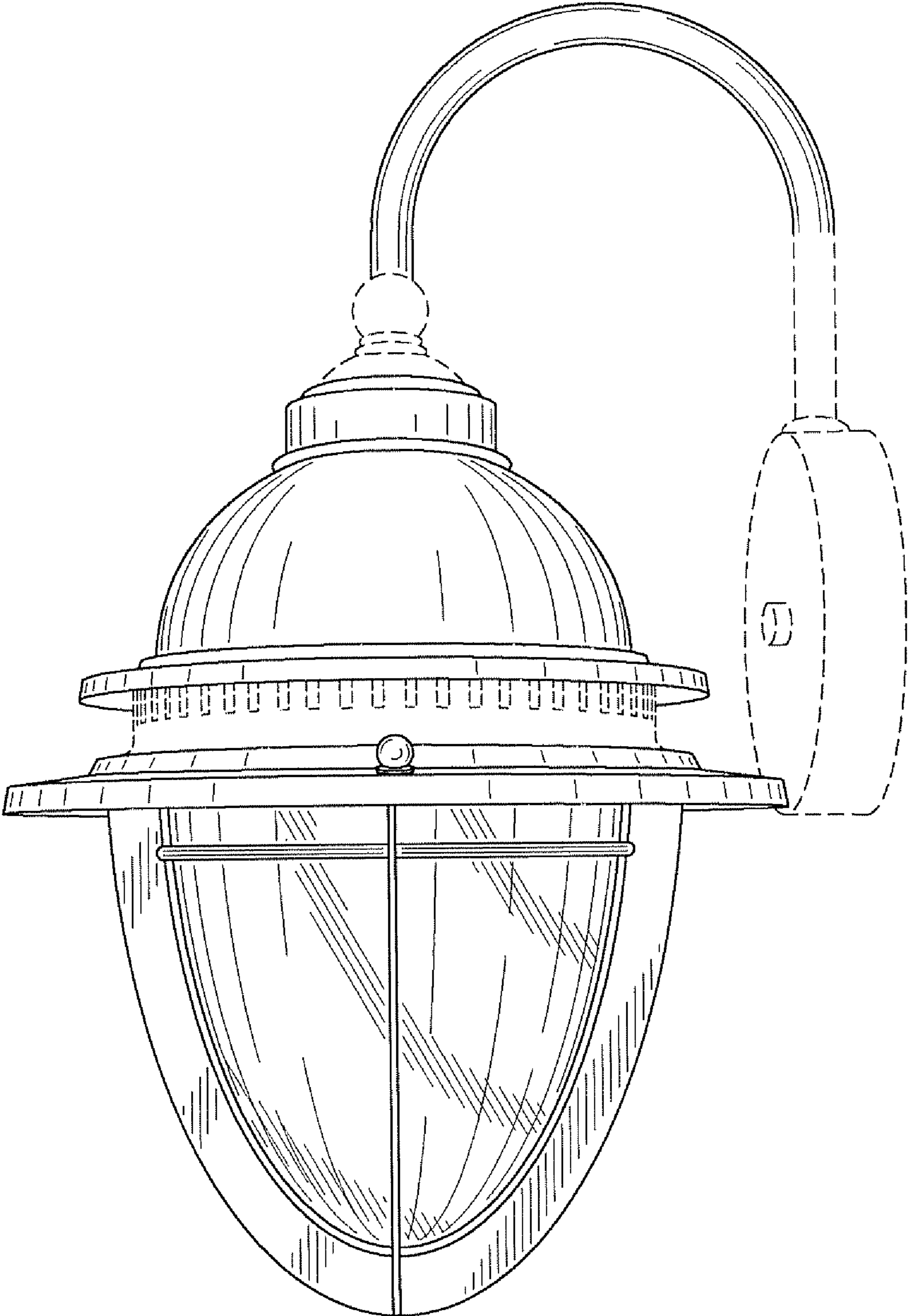


FIG. 4

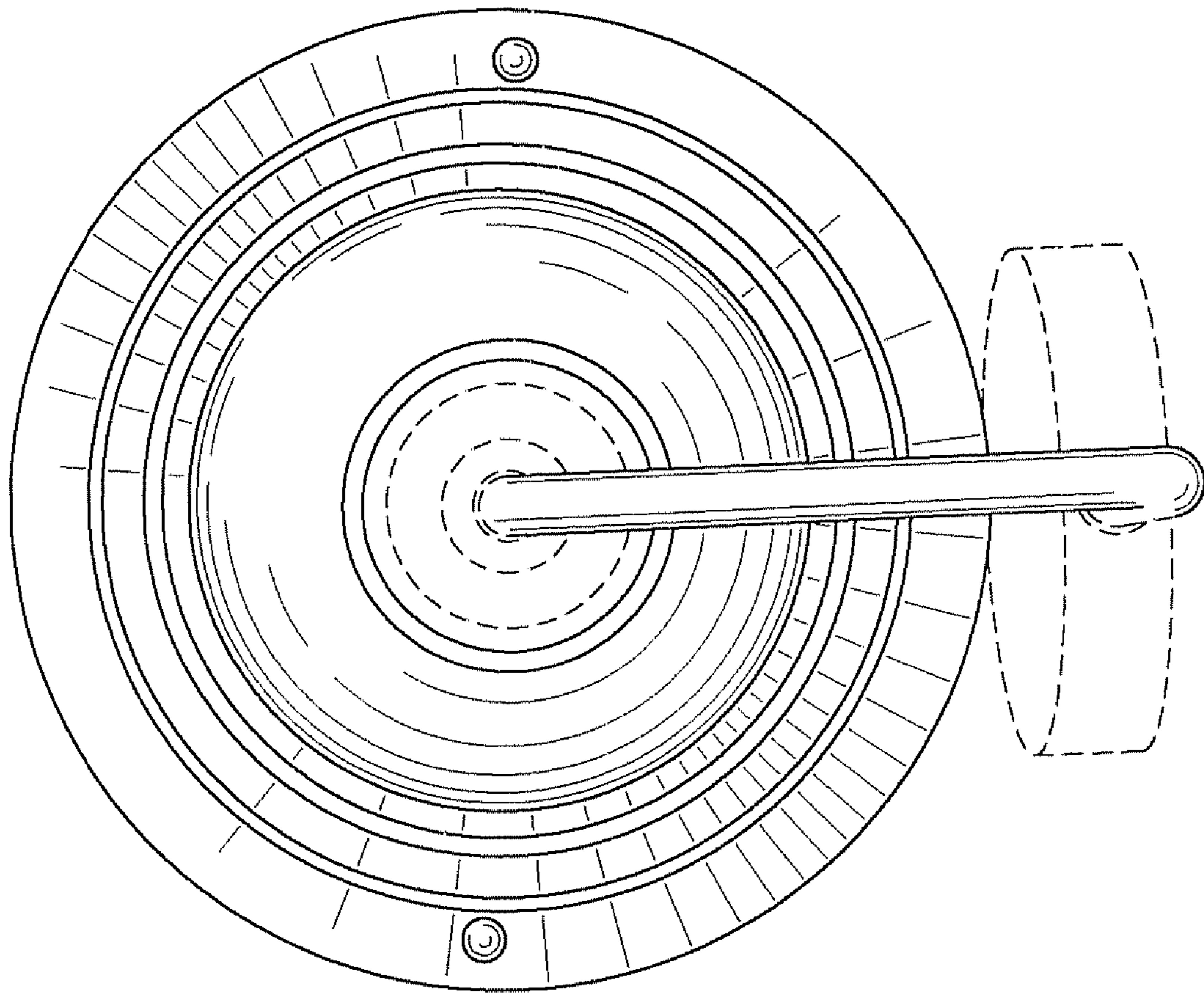


FIG. 5

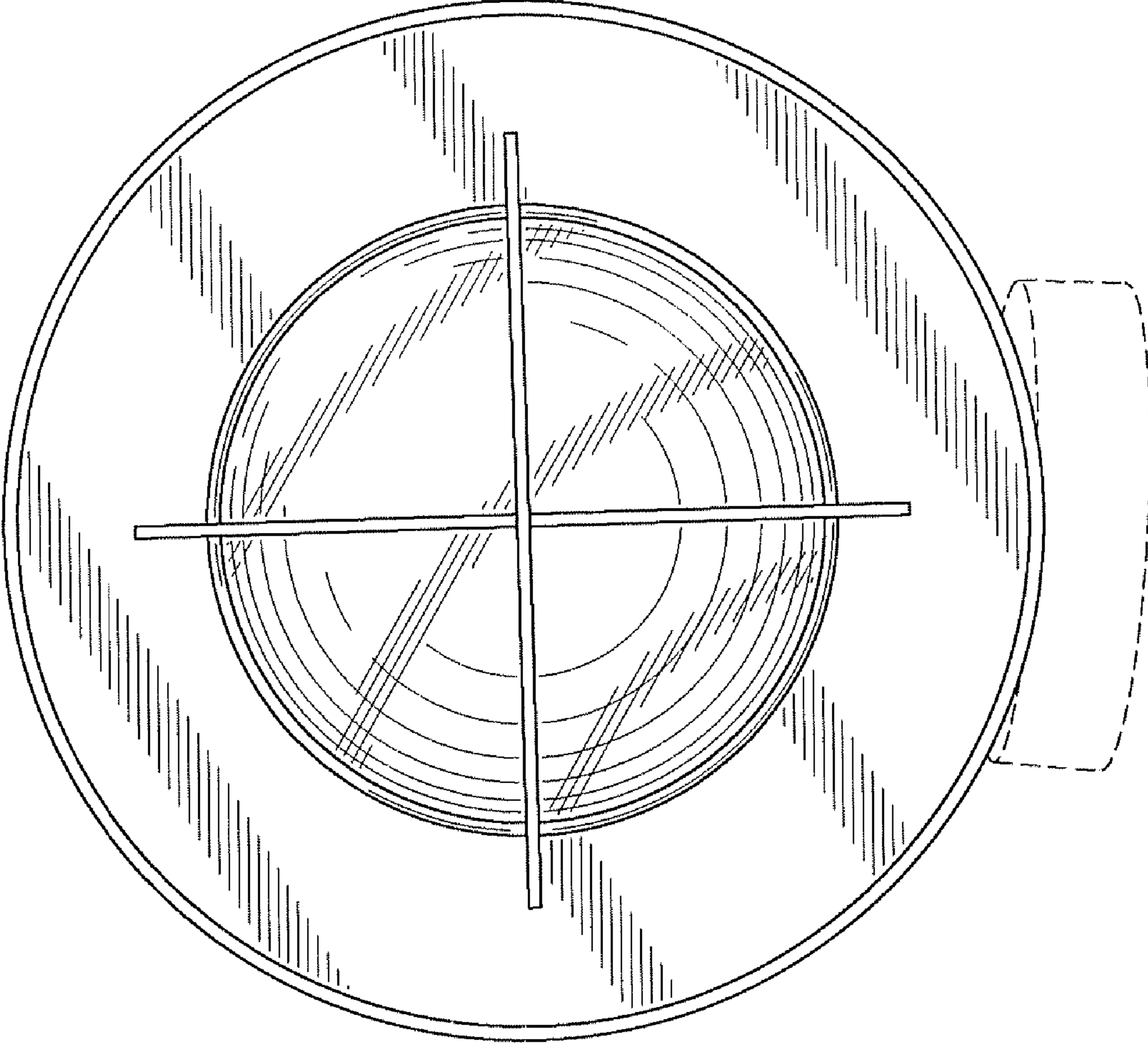


FIG. 6

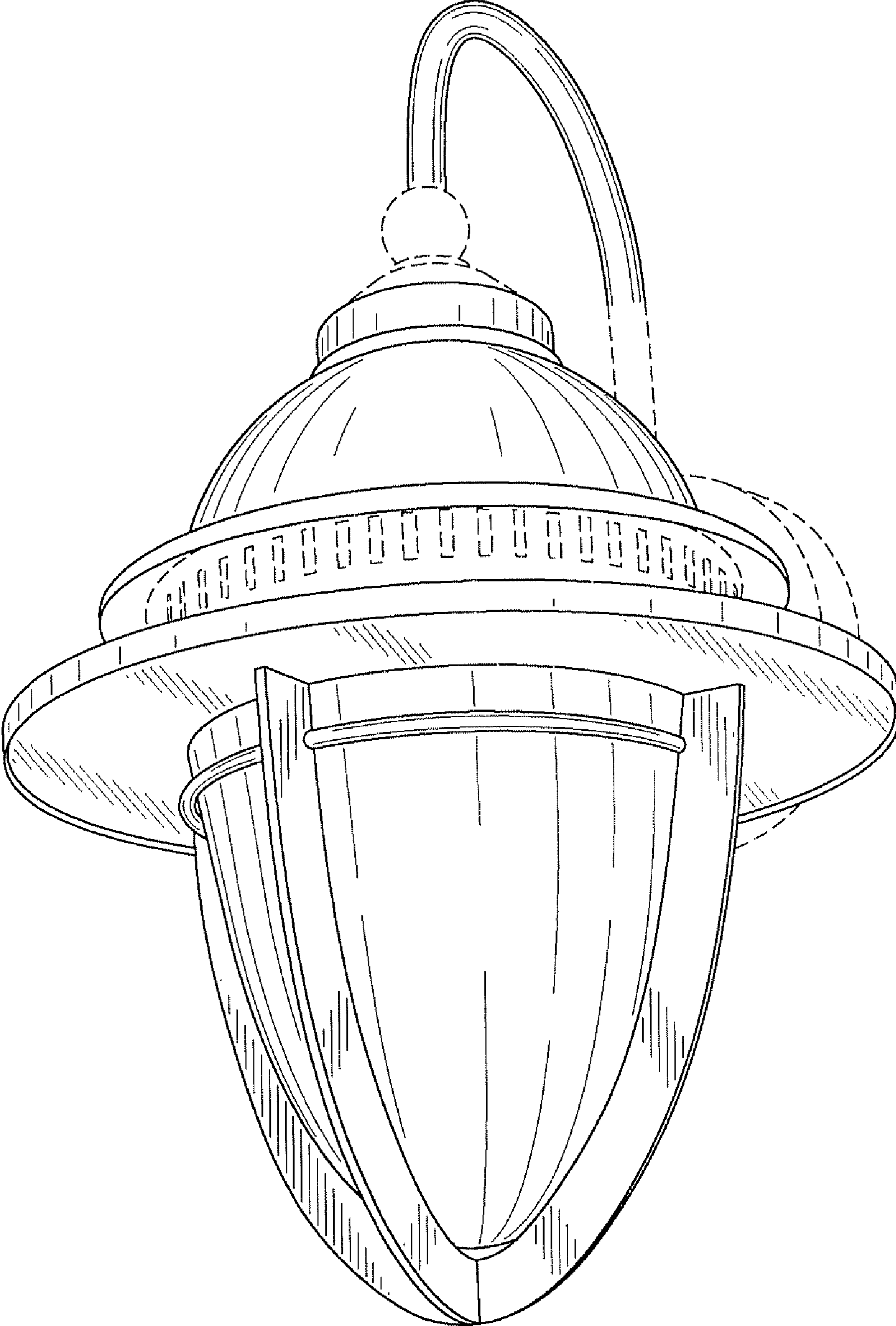


FIG. 7



UNITED STATES PATENT AND TRADEMARK OFFICE  
**CERTIFICATE OF CORRECTION**

PATENT NO. : Des. 559,425 S  
APPLICATION NO. : 29/214487  
DATED : January 8, 2008  
INVENTOR(S) : David H. Porter

Page 1 of 1

It is certified that error appears in the above-identified patent and that said Letters Patent is hereby corrected as shown below:

On the title page, item (75) Inventor: after Porter, please delete "Chagrin Falls, Ohio" and insert -- Monticello, WI --.

Signed and Sealed this

Twenty-ninth Day of April, 2008

A handwritten signature in black ink that reads "Jon W. Dudas". The signature is written in a cursive style with a large, looped initial "J".

JON W. DUDAS  
*Director of the United States Patent and Trademark Office*