



US00D559424S

(12) **United States Design Patent**
Martineau et al.

(10) **Patent No.:** **US D559,424 S**
(45) **Date of Patent:** **** Jan. 8, 2008**

(54) **EMERGENCY LIGHTING FIXTURE**

(75) Inventors: **Patrick Martineau**, Ile-Perrot (CA);
Luc Bourgeois, Lachenaie (CA);
Francois Couillard, Blainville (CA)

(73) Assignee: **Thomas & Betts International, Inc.**,
Wilmington, DE (US)

(**) Term: **14 Years**

(21) Appl. No.: **29/240,894**

(22) Filed: **Oct. 20, 2005**

(51) **LOC (8) Cl.** **26-03**

(52) **U.S. Cl.** **D26/85**

(58) **Field of Classification Search** D26/63,
D26/71, 72, 85; 362/147, 431, 432, 282;
D10/111, 114

See application file for complete search history.

(56) **References Cited**

U.S. PATENT DOCUMENTS

- D110,165 S * 6/1938 Arenberg D26/85
- 2,149,635 A * 3/1939 Shepard et al. 362/490
- D122,709 S * 9/1940 Korengold D26/76
- 2,509,707 A * 5/1950 Taylor 40/542
- D186,718 S * 11/1959 Summers D26/104
- D264,253 S * 5/1982 Goldschmidt et al. D26/63

- D315,421 S 3/1991 Goldschmidt D26/72
- D320,863 S * 10/1991 Macaluso D26/29
- D357,997 S * 5/1995 Wegrzyn et al. D26/85
- D419,708 S 1/2000 LaRosa et al. D26/63
- D473,672 S 4/2003 Lay et al. D26/80
- D483,511 S 12/2003 Lay et al. D26/80
- D532,918 S * 11/2006 Lay et al. D26/80

* cited by examiner

Primary Examiner—Clare E Heflin

(74) *Attorney, Agent, or Firm*—Michael L. Hoelter

(57) **CLAIM**

The ornamental design for a emergency lighting fixture, as shown and described.

DESCRIPTION

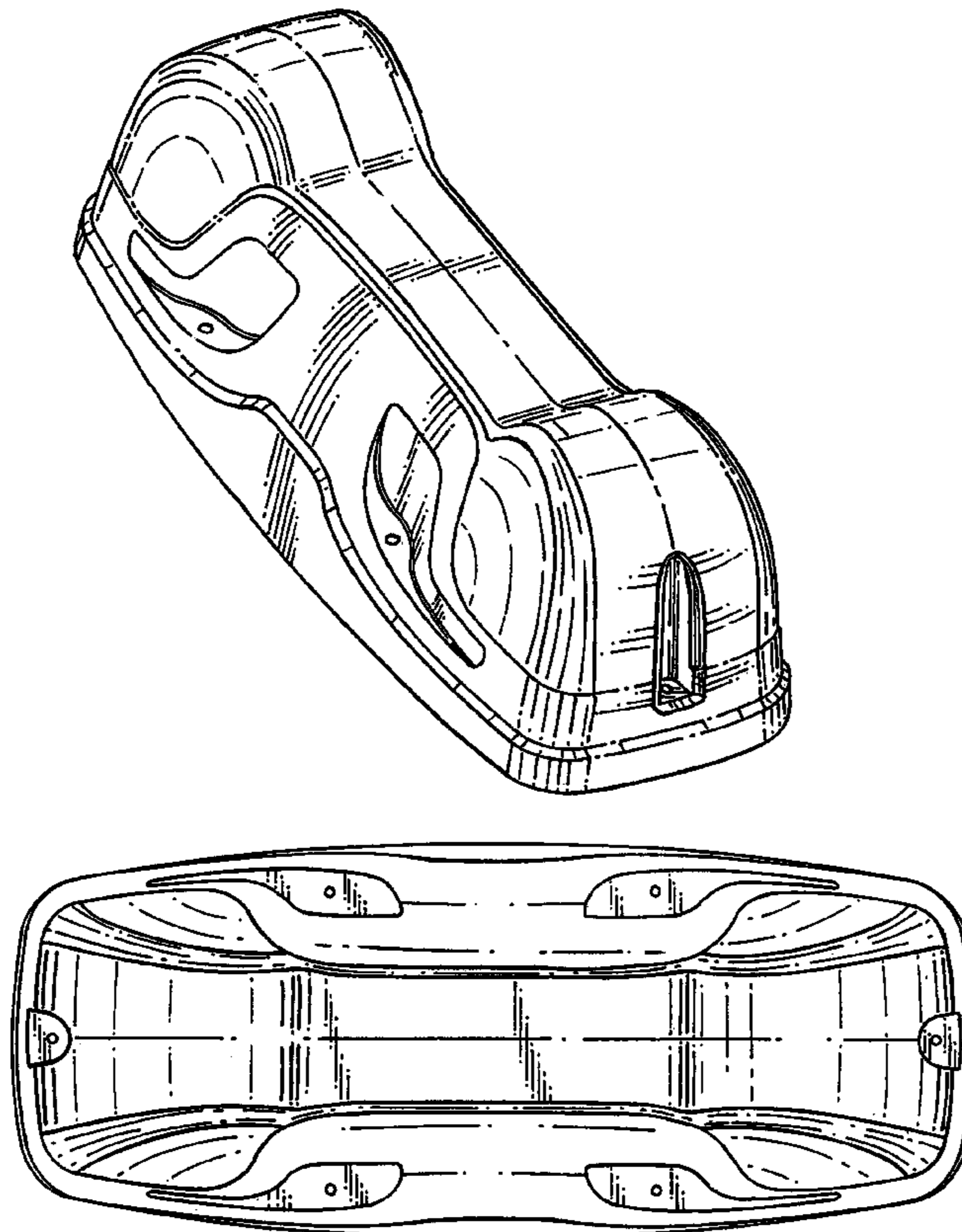
FIG. 1 is a perspective view of the emergency lighting fixture of the present invention.

FIG. 2 is a side elevation view of the emergency lighting fixture of the present invention.

FIG. 3 is a top and bottom plan view of the emergency lighting fixture of the present invention; and,

FIG. 4 is a front elevation view of the emergency lighting fixture of the present invention.

1 Claim, 3 Drawing Sheets



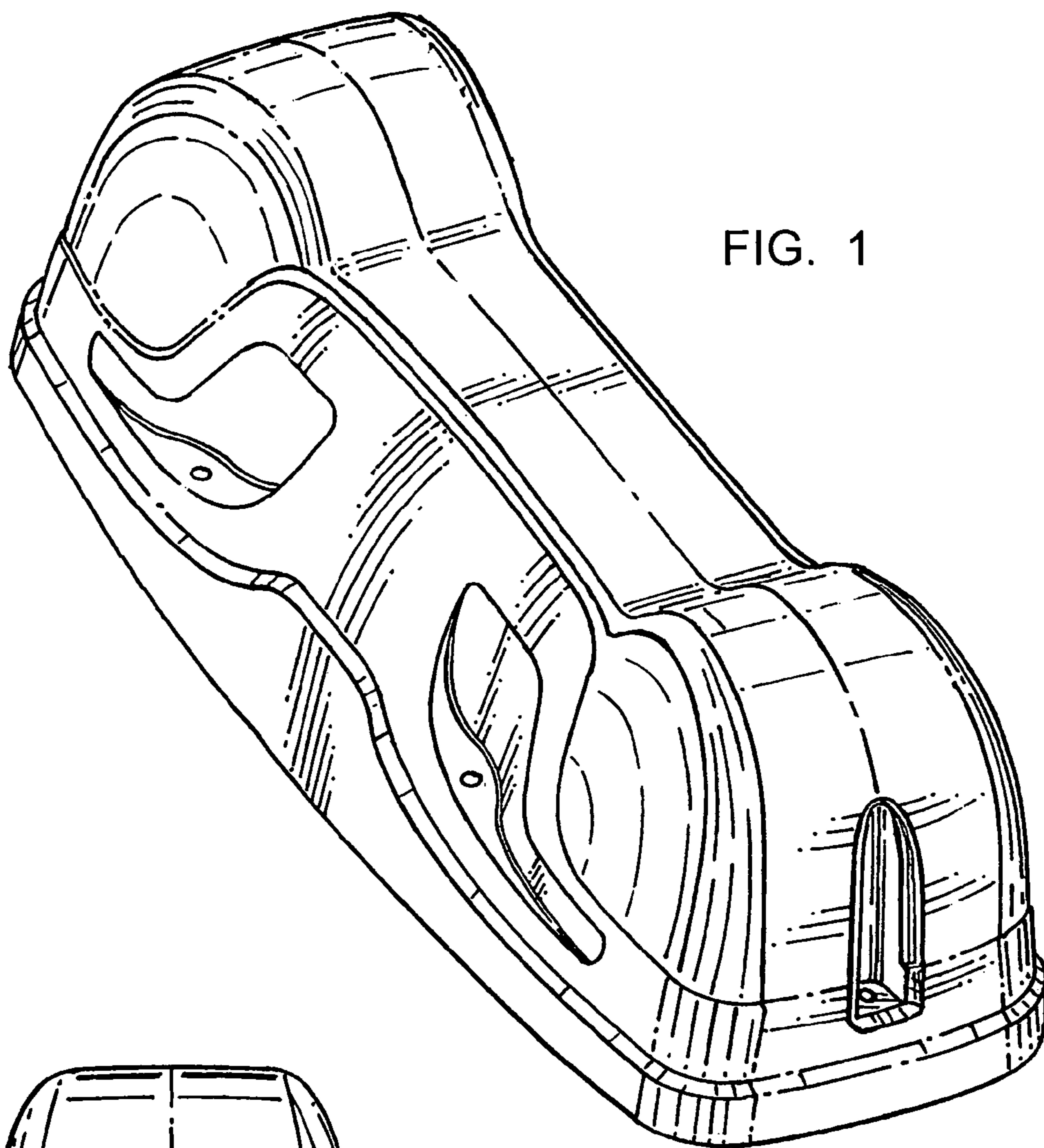


FIG. 1

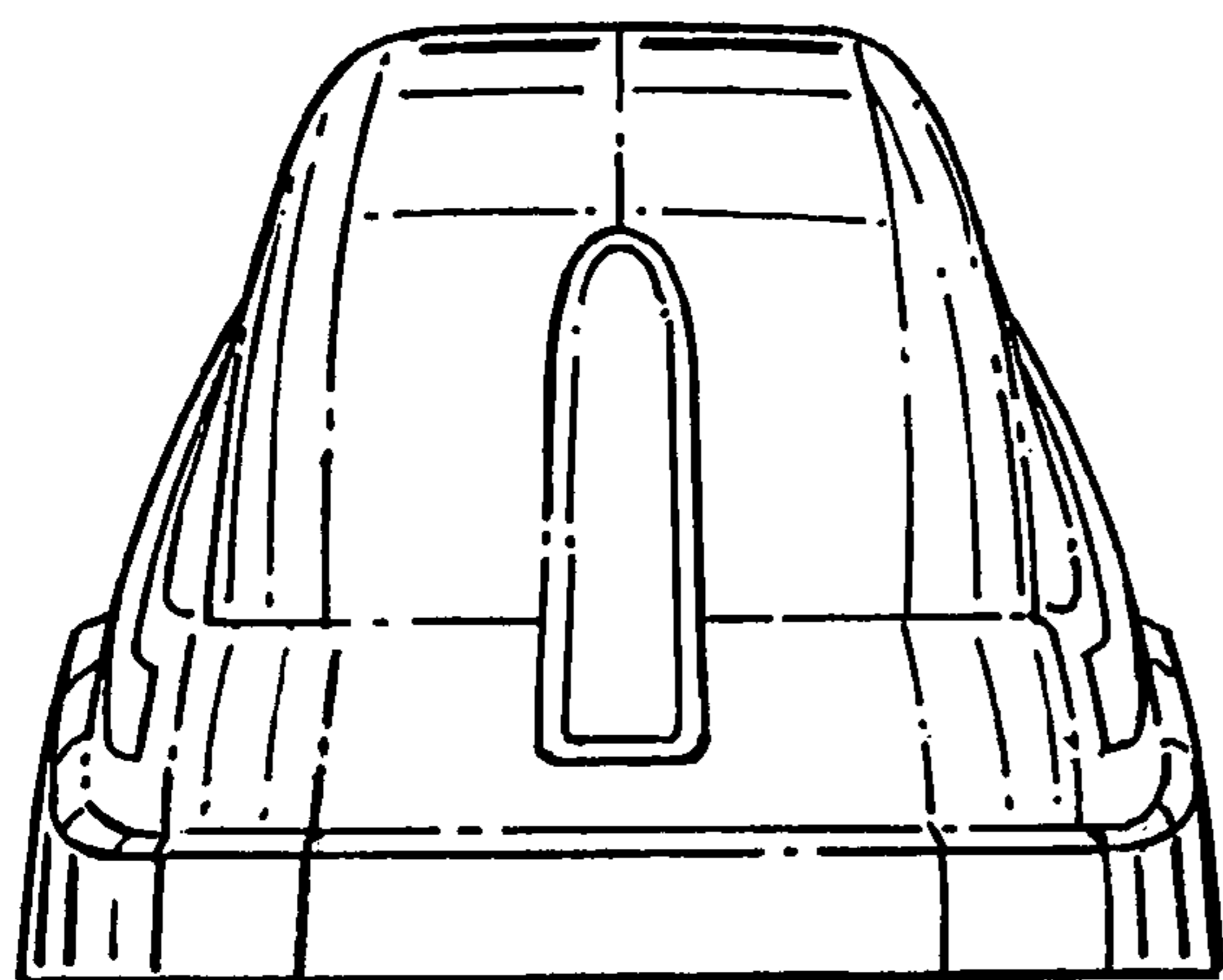


FIG. 2

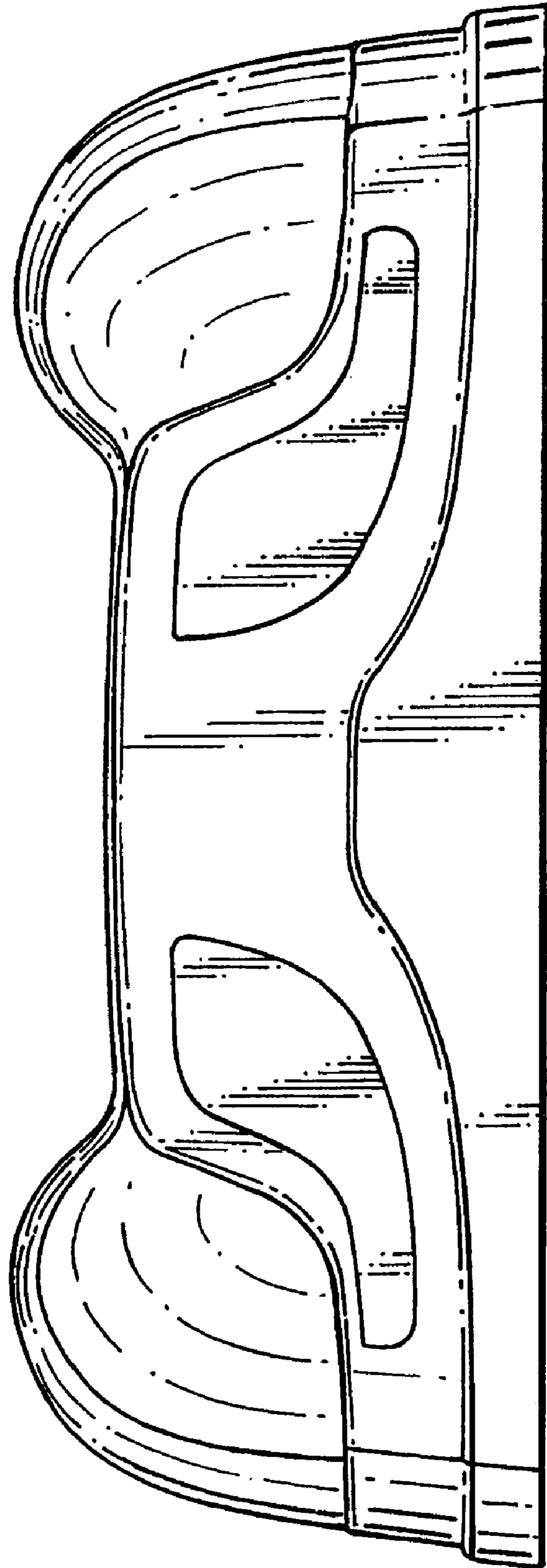


FIG. 3

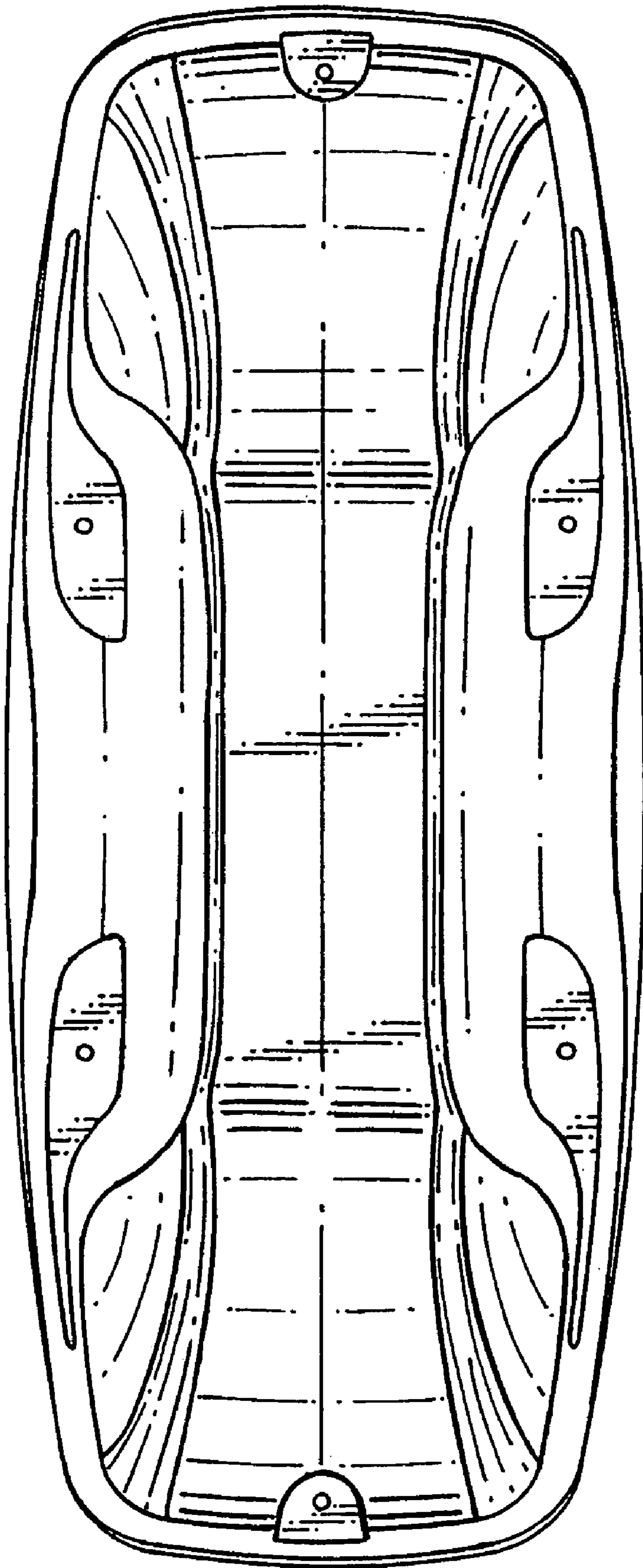


FIG. 4