



US00D559423S

(12) **United States Design Patent**
Hochendoner

(10) **Patent No.:** **US D559,423 S**
(45) **Date of Patent:** **** Jan. 8, 2008**

(54) **SHELF LIGHT**

(75) Inventor: **David Hochendoner**, Allison Park, PA
(US)

(73) Assignee: **Sima Products Corporation**, Oakmont,
PA (US)

(**) Term: **14 Years**

(21) Appl. No.: **29/265,949**

(22) Filed: **Sep. 12, 2006**

(51) **LOC (8) Cl.** **26-03**

(52) **U.S. Cl.** **D26/76; D26/75; D26/72**

(58) **Field of Classification Search** D26/72,
D26/74-79; 362/217-225, 283, 147, 363
See application file for complete search history.

(56) **References Cited**

U.S. PATENT DOCUMENTS

- D107,062 S * 11/1937 Arenberg D6/566
- D146,982 S * 6/1947 Phillips D12/44
- D150,745 S * 8/1948 Winkler et al. D26/77
- D208,937 S * 10/1967 De Merritt D26/78
- D268,367 S * 3/1983 Paquette et al. D26/76
- 5,040,104 A * 8/1991 Huisingh et al. 362/330
- D330,090 S * 10/1992 Walter et al. D26/51
- 5,626,084 A * 5/1997 Kelly et al. 108/23
- 5,690,415 A * 11/1997 Krehl 362/125
- D411,326 S * 6/1999 Roorda D26/87
- 6,283,612 B1 9/2001 Hunter
- D464,457 S * 10/2002 Echito D26/76

- D493,009 S * 7/2004 Ken D26/51
- 6,882,111 B2 4/2005 Kan et al.
- D512,526 S * 12/2005 Zucker D26/76

FOREIGN PATENT DOCUMENTS

WO WO 2005/119124 12/2005

OTHER PUBLICATIONS

Odyssey Worklight 2000, 19" Rack Mountable Light with Color
Changer, 2000.

Furman Sound Announces New Rack Light Series. Jul. 25, 2004.

* cited by examiner

Primary Examiner—Stella M. Reid

Assistant Examiner—Susan E Krakower

(74) *Attorney, Agent, or Firm*—Buchanan Ingersoll &
Rooney PC

(57) **CLAIM**

An ornamental design for a shelf light, as shown and
described.

DESCRIPTION

FIG. 1 is a front view of my shelf light.

FIG. 2 is a rear view thereof.

FIG. 3 is a bottom view thereof.

FIG. 4 is a top view thereof.

FIG. 5 is a left side view thereof; and,

FIG. 6 is a right side view thereof.

1 Claim, 2 Drawing Sheets

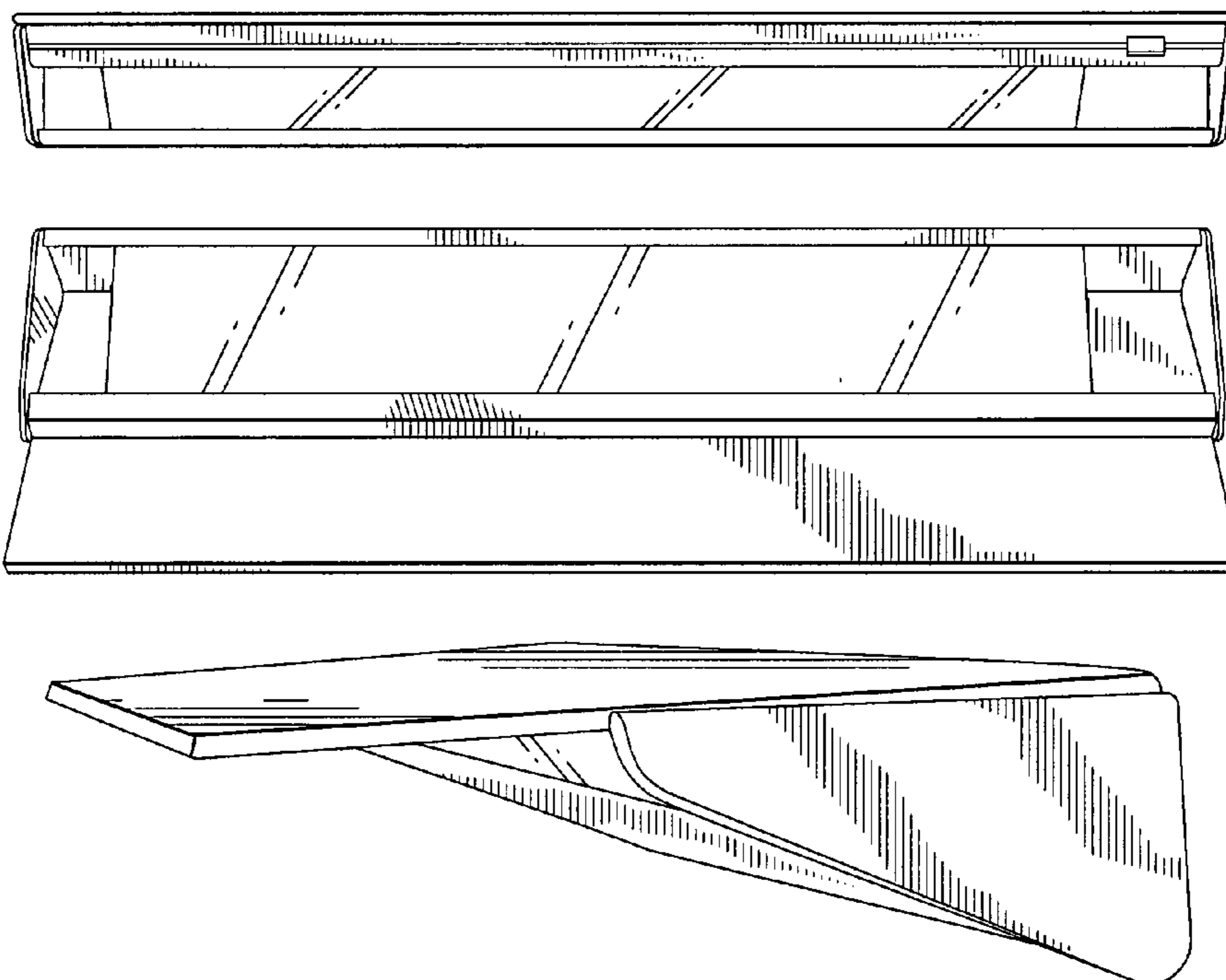




Fig. 1

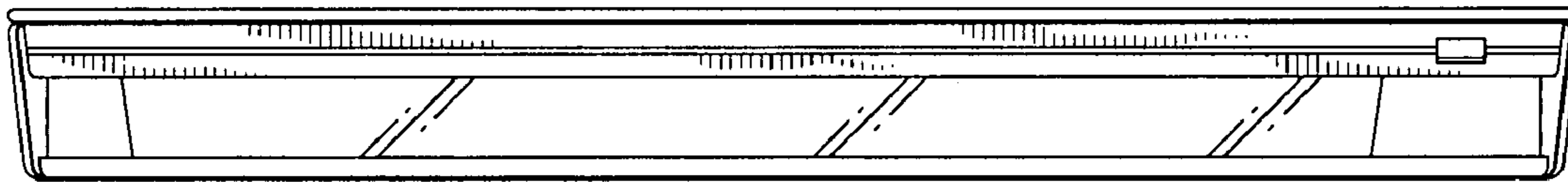


Fig. 2

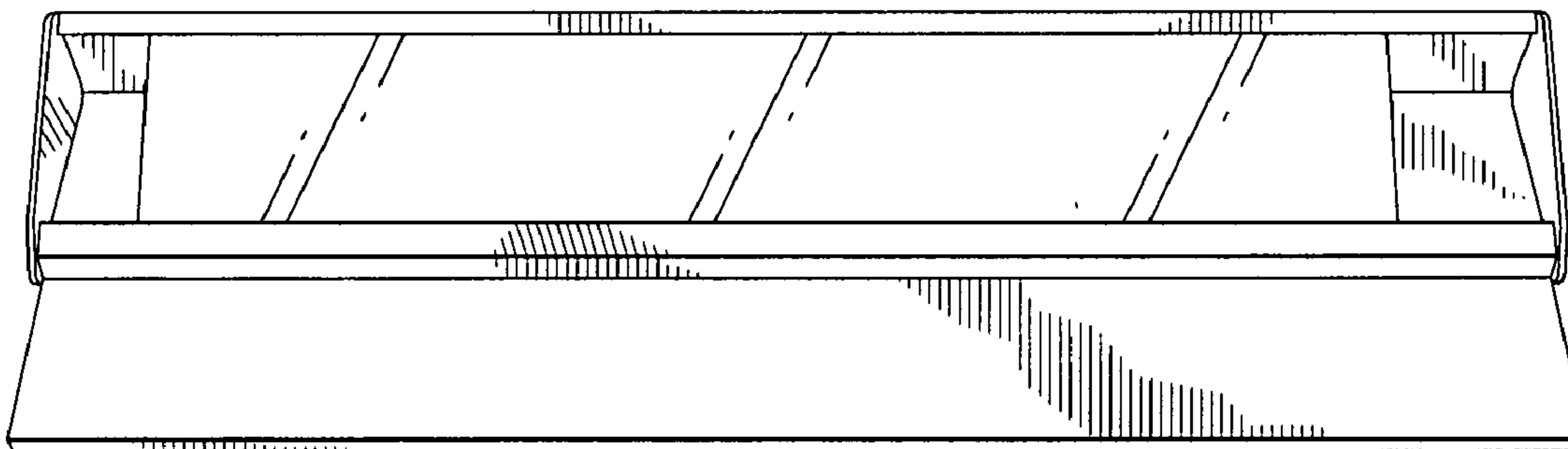


Fig. 3



Fig. 4

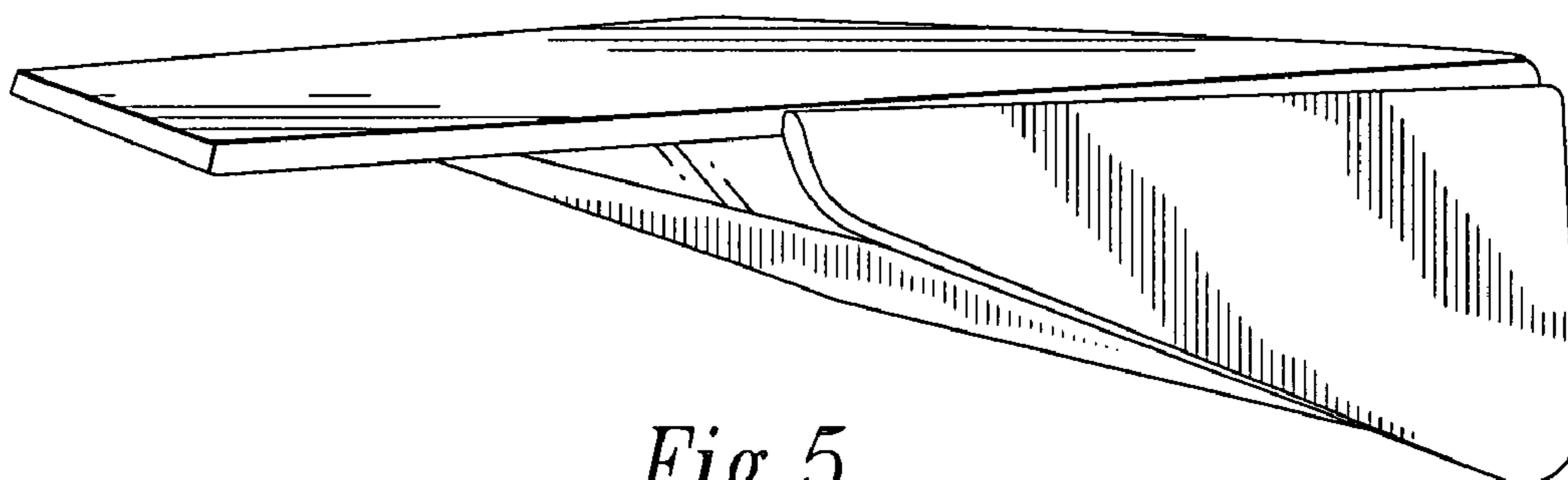


Fig. 5

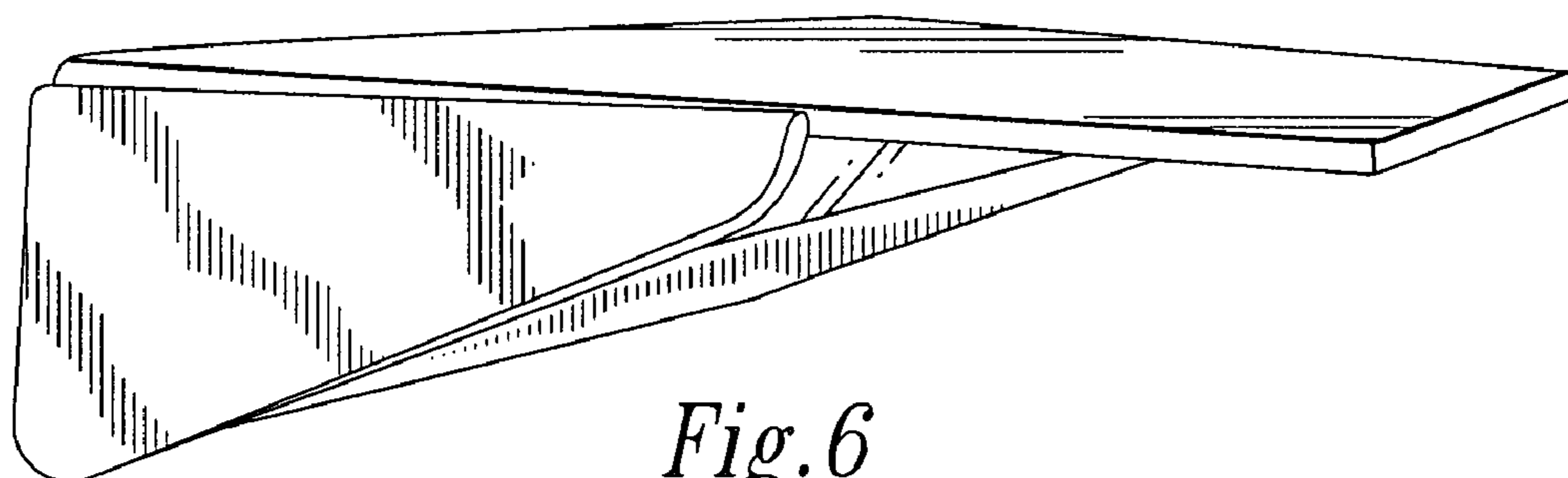


Fig. 6