



US00D559421S

(12) **United States Design Patent** (10) **Patent No.:** **US D559,421 S**  
**Osiecki et al.** (45) **Date of Patent:** **\*\* Jan. 8, 2008**

(54) **DESK LAMP**

(74) *Attorney, Agent, or Firm*—Gregory J. Adams

(75) Inventors: **Scott W. Osiecki**, Skaneateles, NY (US); **Ronald J. Kingston**, Syracuse, NY (US); **Donwoong Kang**, Camillus, NY (US)

(57) **CLAIM**

We claim the ornamental design of a desk lamp, as shown and described.

(73) Assignee: **Eveready Battery Company, Inc.**, St. Louis, MO (US)

**DESCRIPTION**

(\*\*) Term: **14 Years**

FIG. 1 is a left front perspective view of a desk lamp showing our new design;

(21) Appl. No.: **29/247,609**

FIG. 2 is a left back perspective thereof;

(22) Filed: **Jun. 28, 2006**

FIG. 3 is a front view thereof;

(51) **LOC (8) Cl.** ..... **26-05**

FIG. 4 is a rear view thereof;

(52) **U.S. Cl.** ..... **D26/63**

FIG. 5 is a left side view thereof;

(58) **Field of Classification Search** ..... D26/60–66,  
D26/107, 138, 142, 49; 362/410, 411, 412,  
362/413, 414, 418, 427, 269, 275, 287, 419,  
362/277, 282, 285, 371, 804

FIG. 6 is a right side view thereof;

See application file for complete search history.

FIG. 7 is a top view thereof;

FIG. 8 is a bottom view thereof;  
FIG. 9 is a left front perspective view of the handset portion of the desk lamp, removed from the desk lamp;

(56) **References Cited**

FIG. 10 is a left back perspective thereof;

**U.S. PATENT DOCUMENTS**

FIG. 11 is a front view thereof;

D211,387 S *	6/1968	Muller	.....	D26/64
D253,853 S *	1/1980	Gerber	.....	D26/63
D370,070 S *	5/1996	Kay	.....	D26/67
D450,868 S *	11/2001	Maximilian-Yee	.....	D26/49
D491,305 S *	6/2004	Copeland	.....	D26/49
7,048,414 B2 *	5/2006	Weber	.....	362/267
D523,982 S *	6/2006	Doong	.....	D26/59
D527,132 S *	8/2006	Citterio	.....	D26/65
D539,216 S *	3/2007	Hamaguchi	.....	D13/103

FIG. 12 is a rear view thereof;

FIG. 13 is a left side view thereof;

FIG. 14 is a right side view thereof;

FIG. 15 is a top view thereof; and,

FIG. 16 is a bottom view thereof.

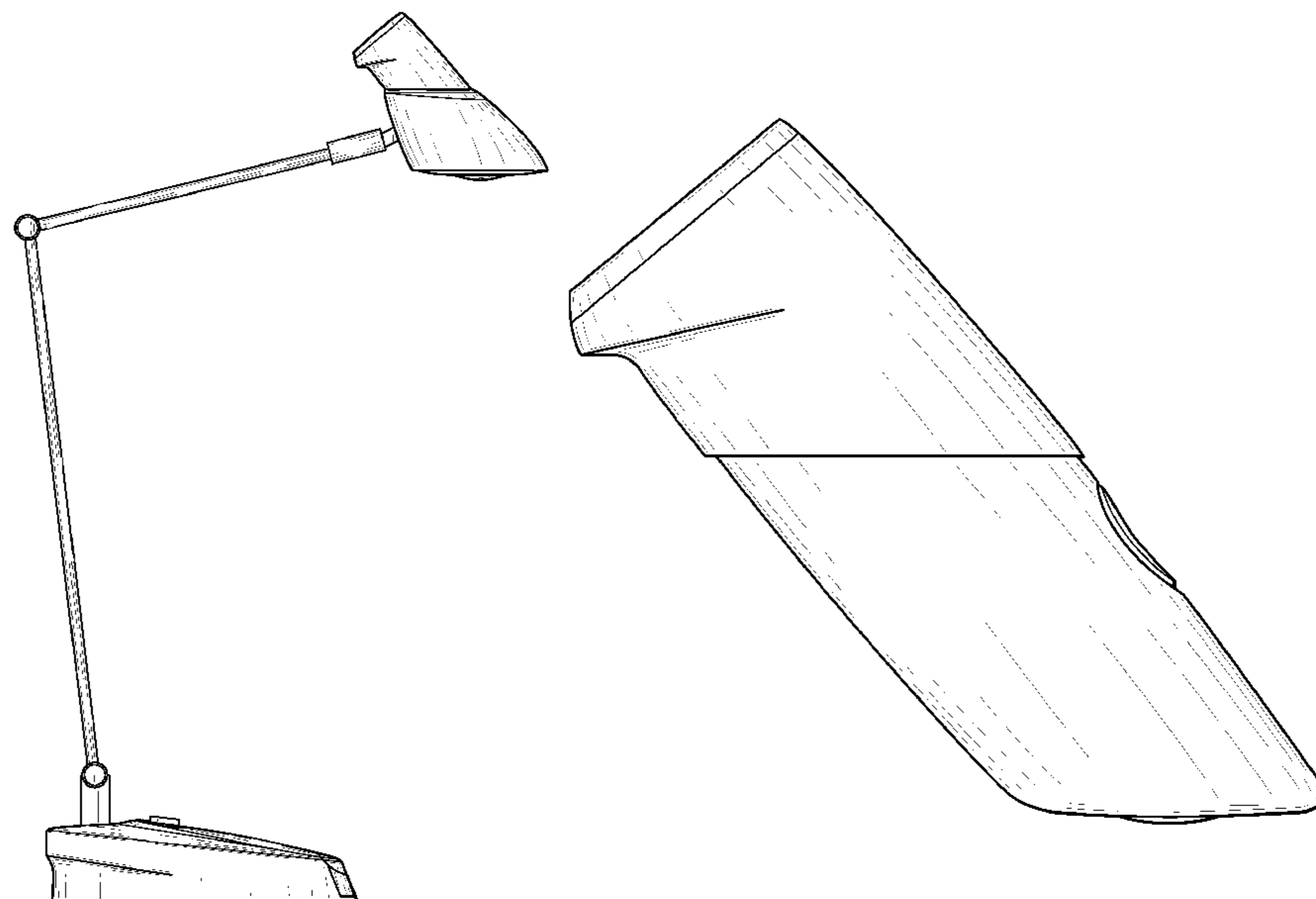
\* cited by examiner

The handset shown in FIGS. 9–16 is shown removed from the desk lamp for convenience of illustration.

The broken lines in the drawings represent unclaimed subject matter.

*Primary Examiner*—Cathron Brooks  
*Assistant Examiner*—Barbara Fox

**1 Claim, 14 Drawing Sheets**



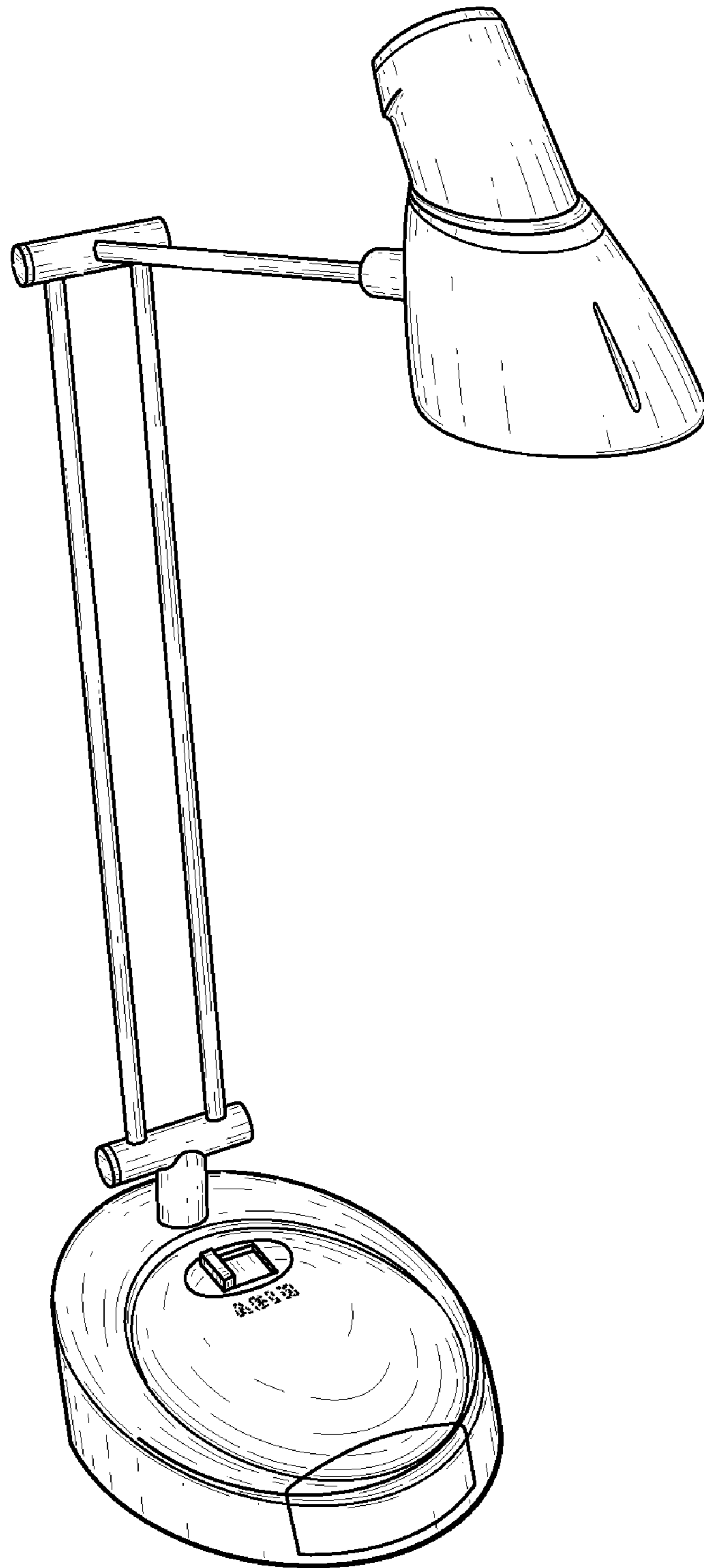


FIG. 1

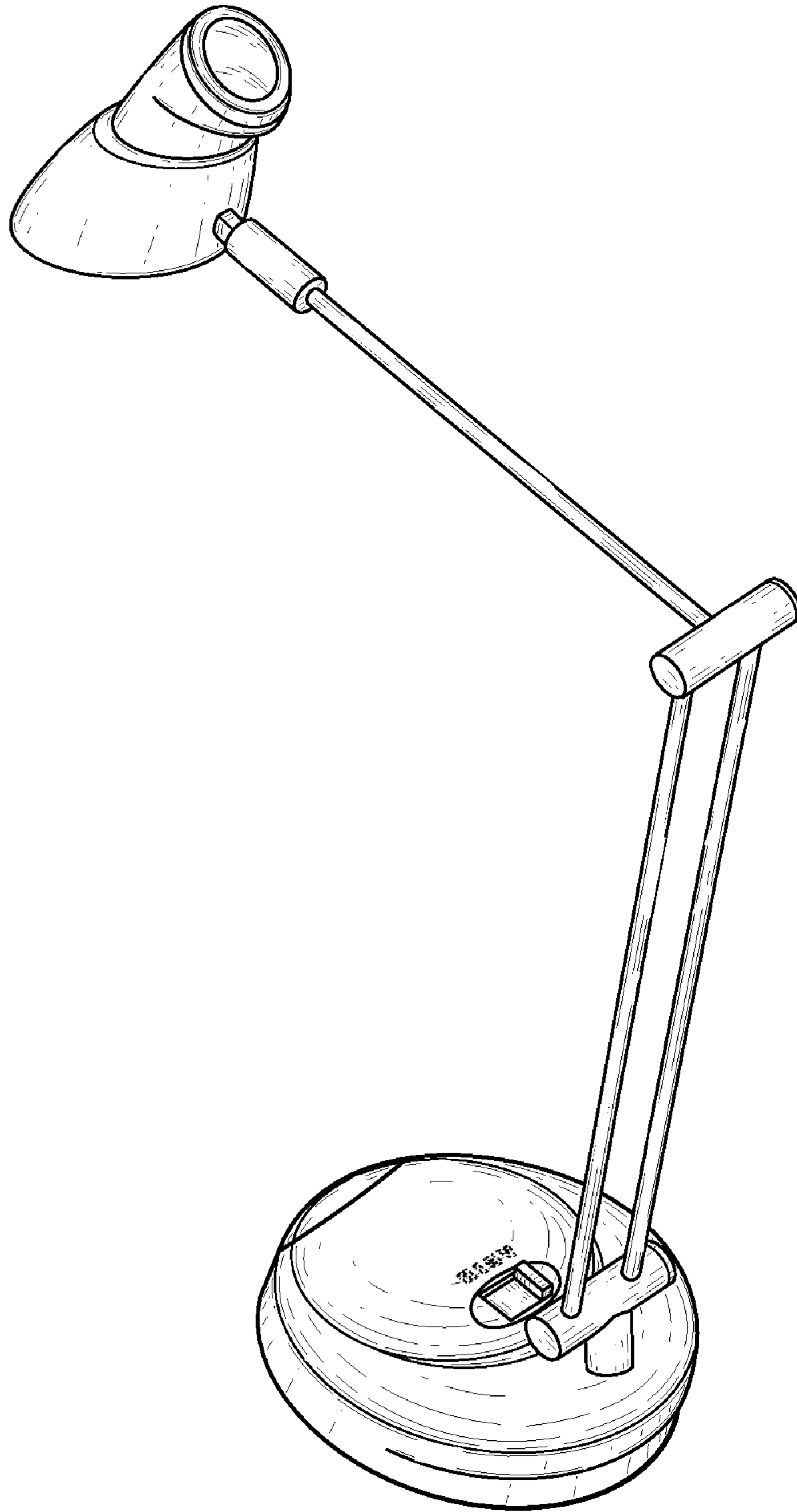


FIG. 2

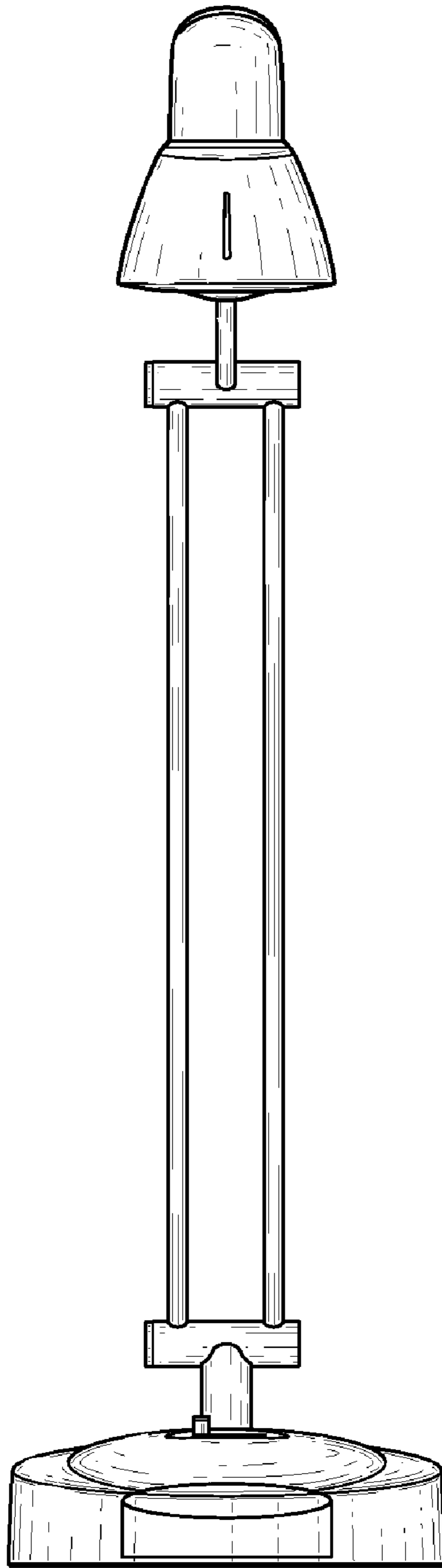


FIG. 3

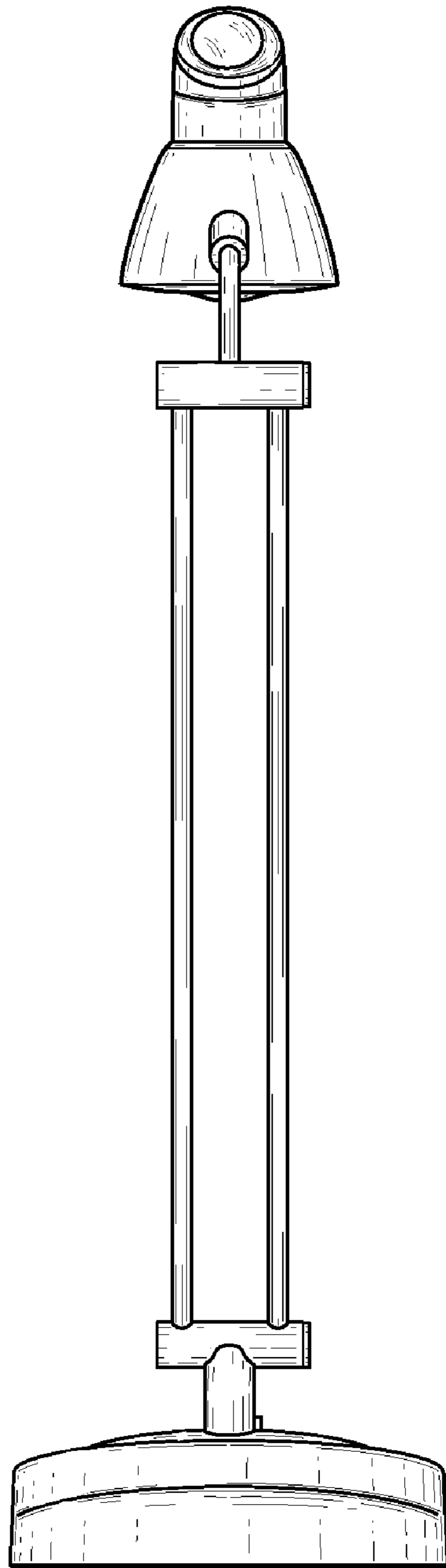


FIG. 4

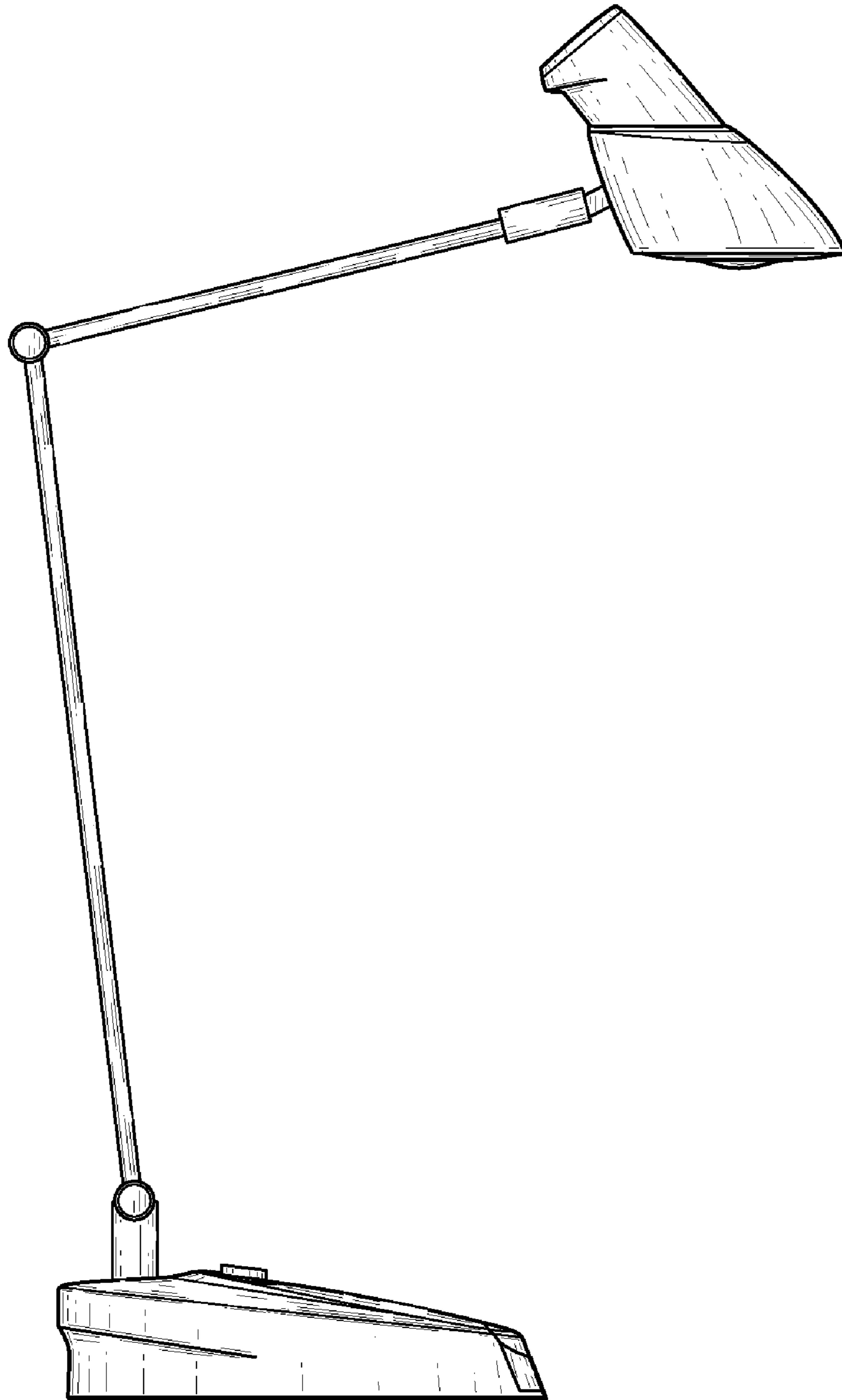


FIG. 5

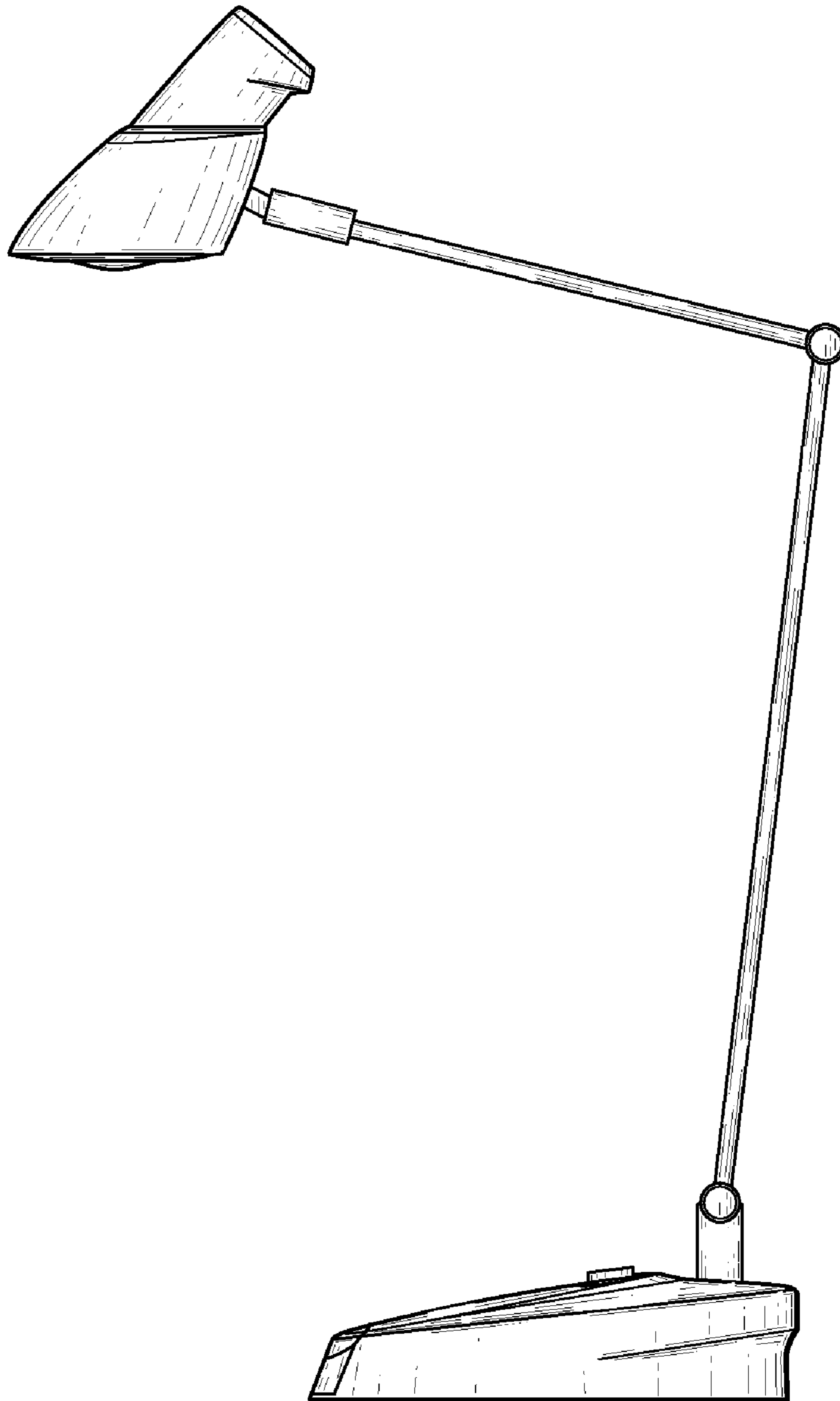


FIG. 6



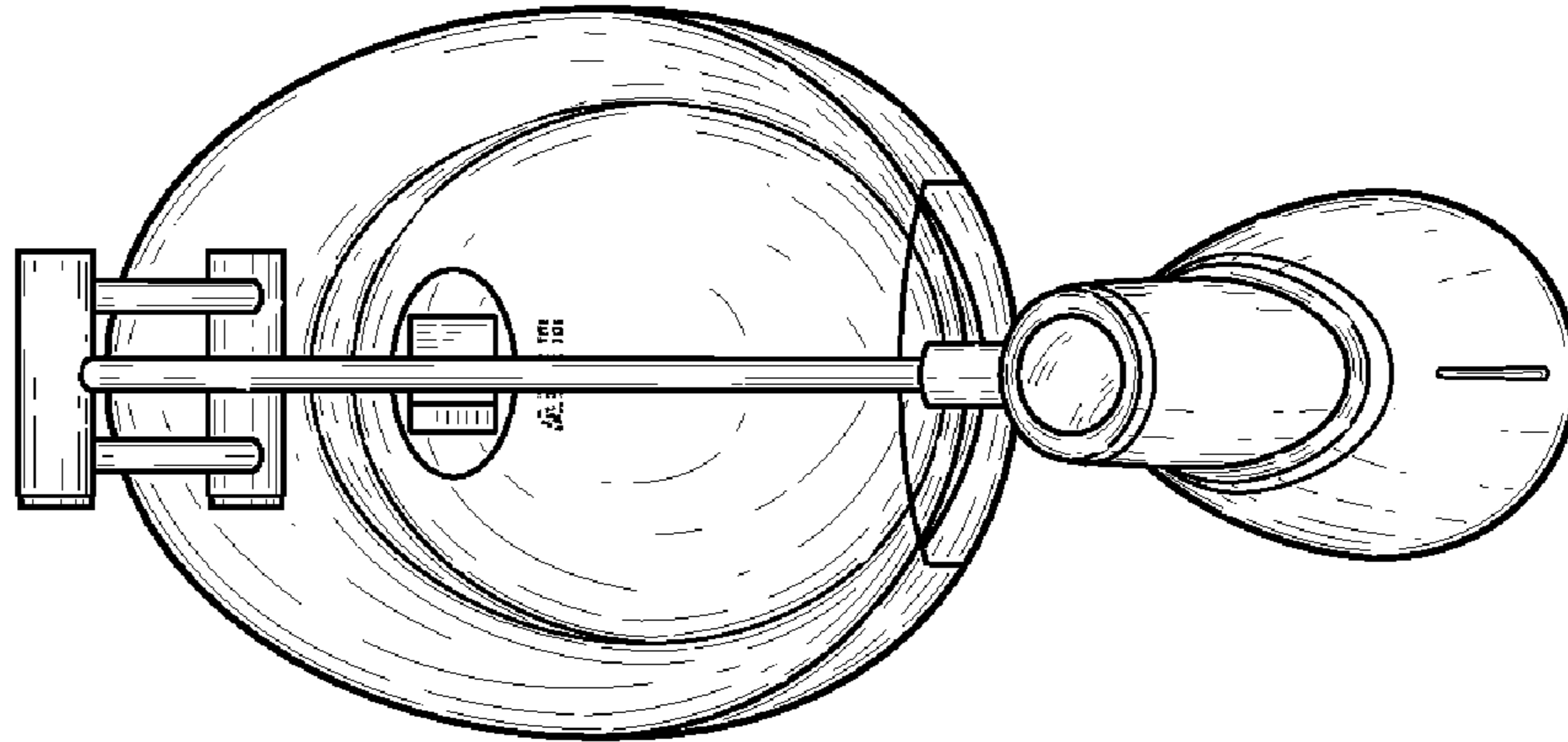


FIG. 7

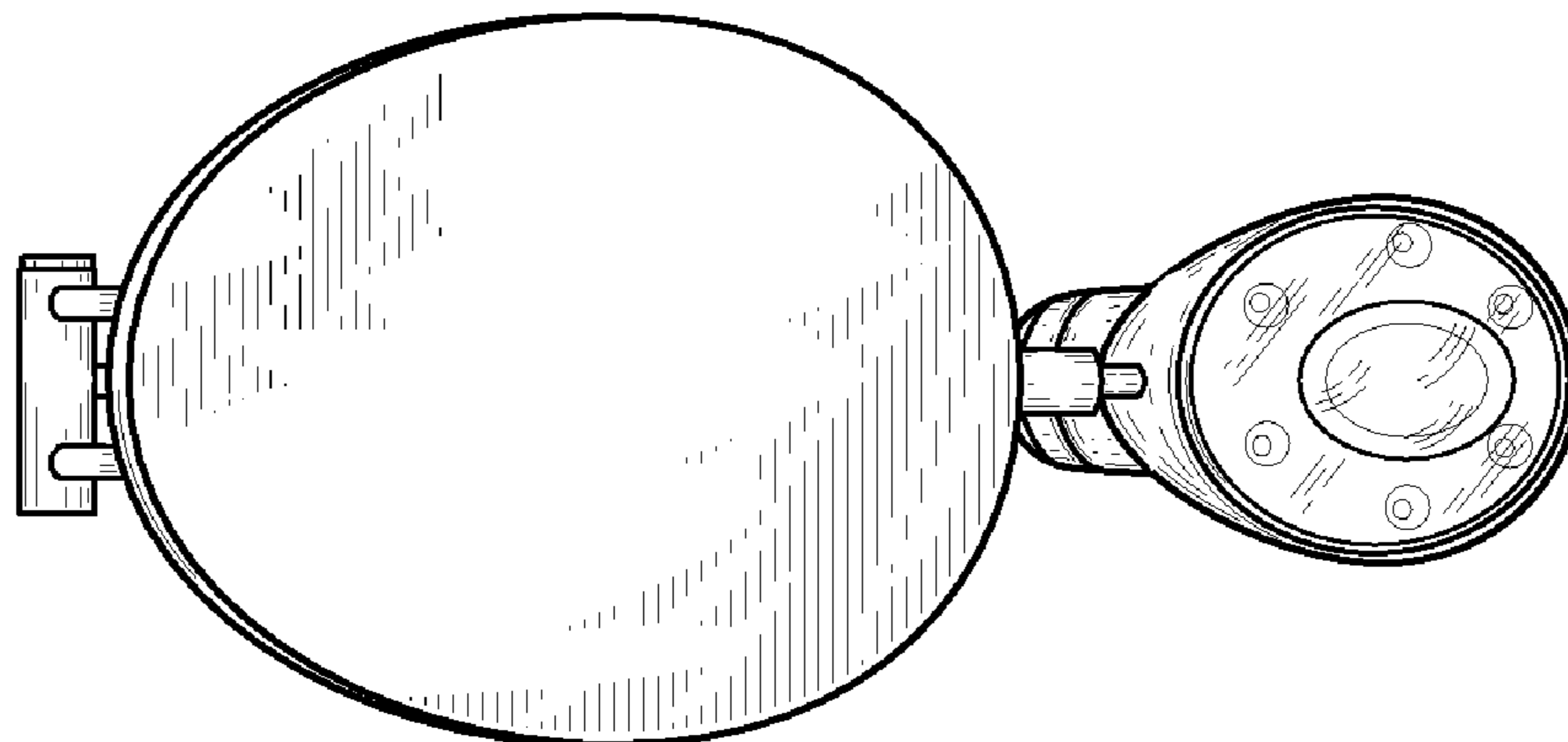


FIG. 8



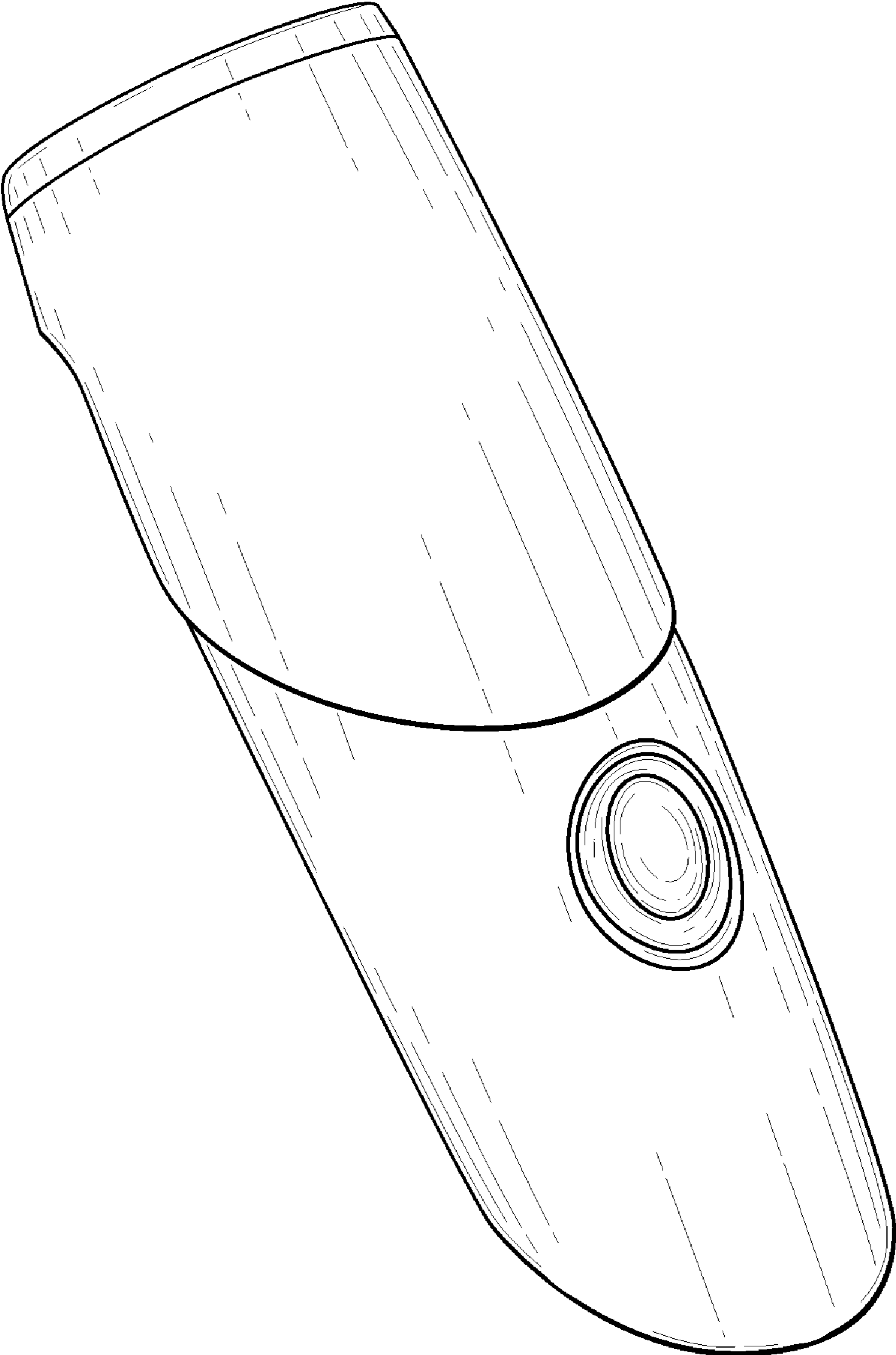


FIG. 9

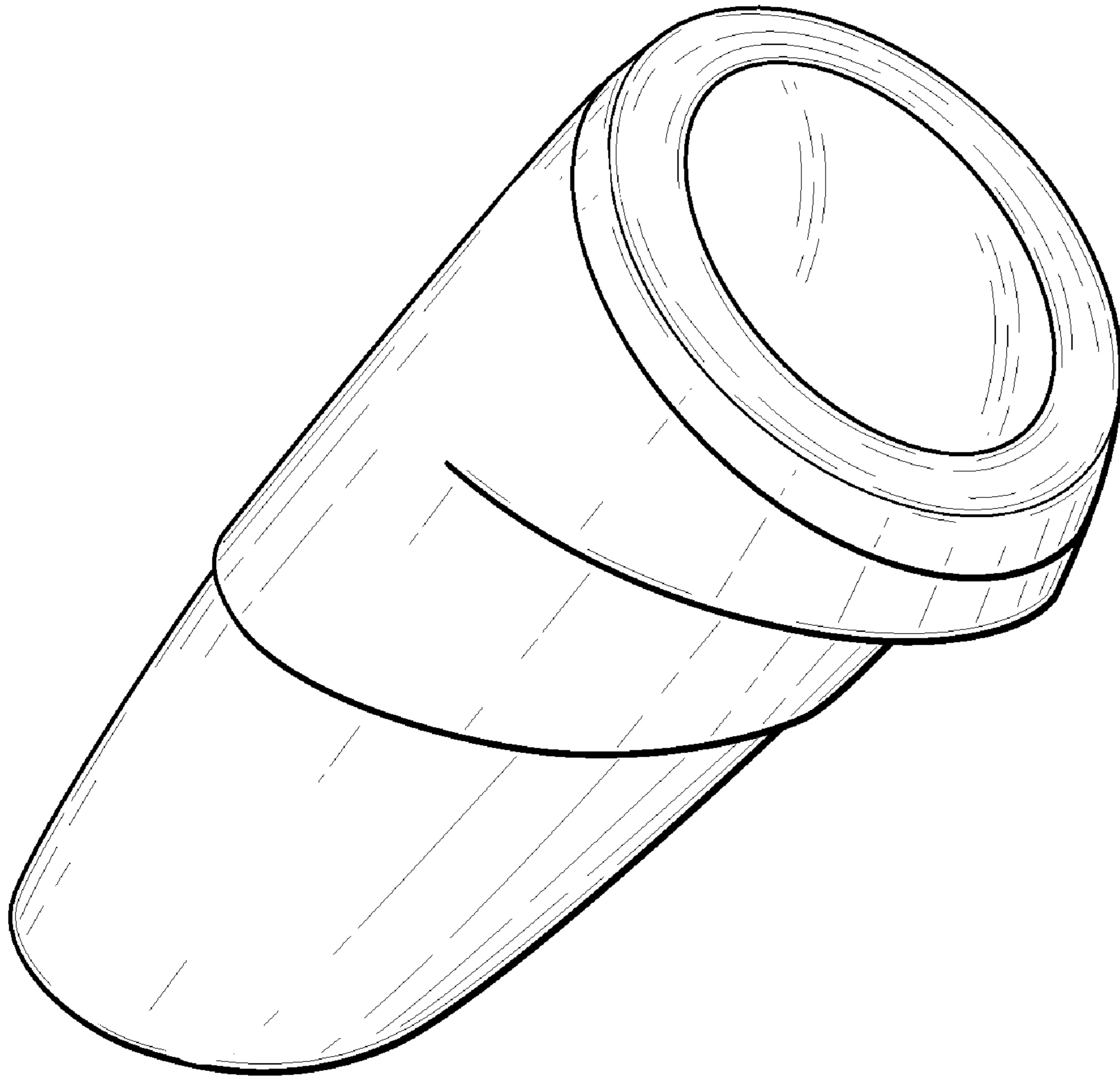


FIG. 10

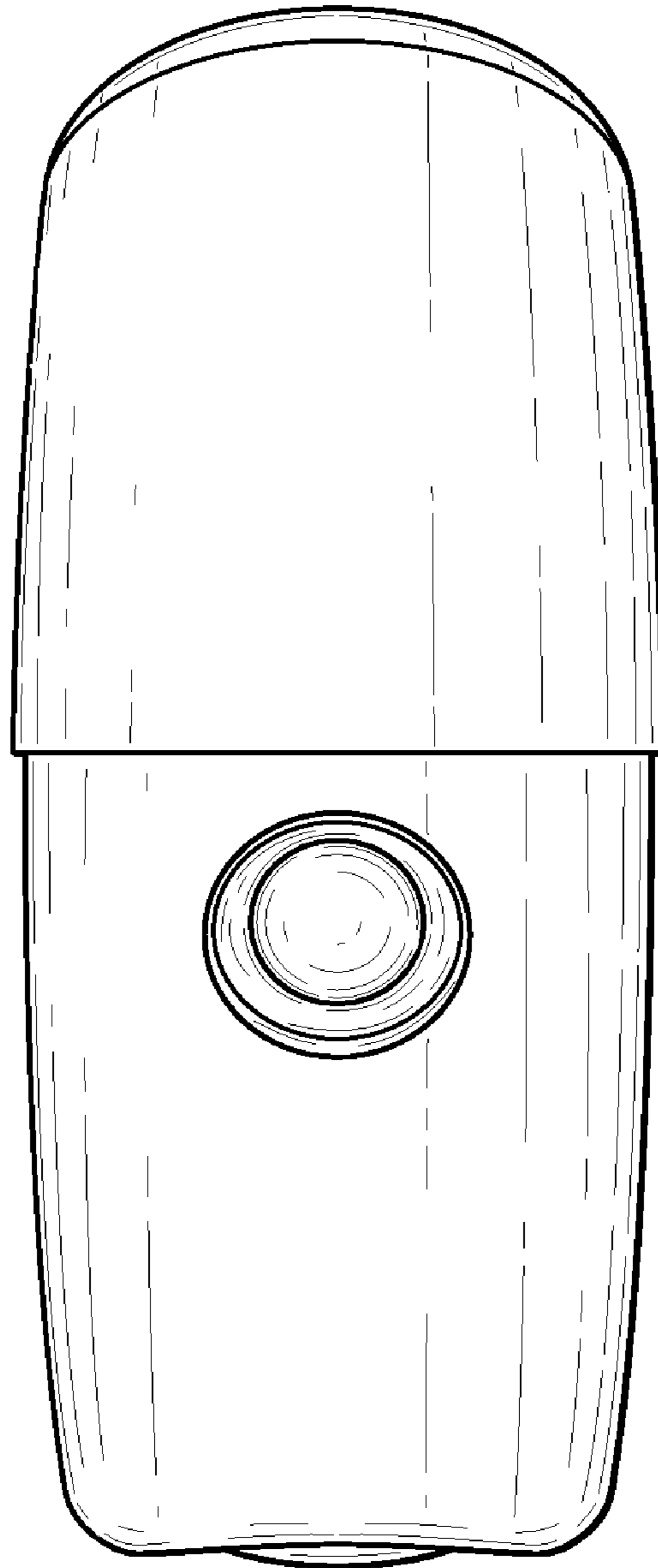


FIG. 11

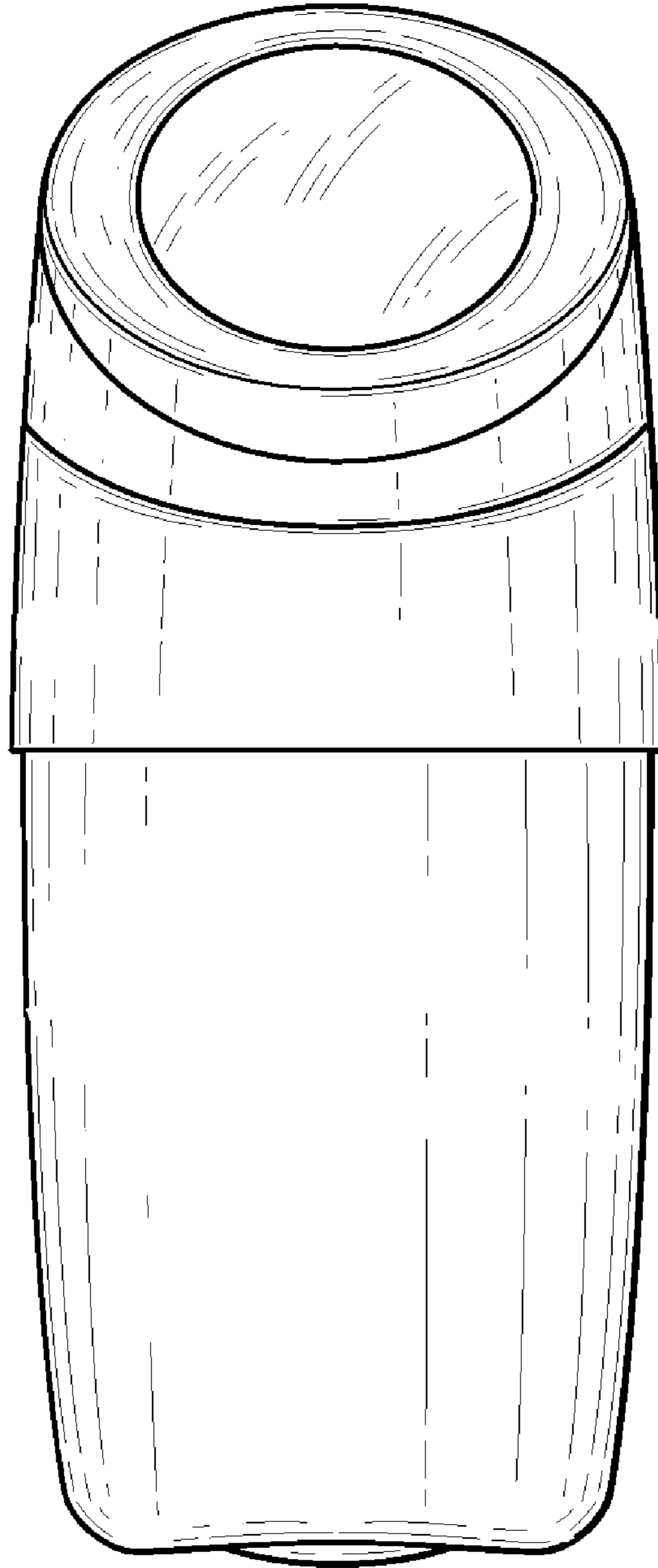


FIG. 12

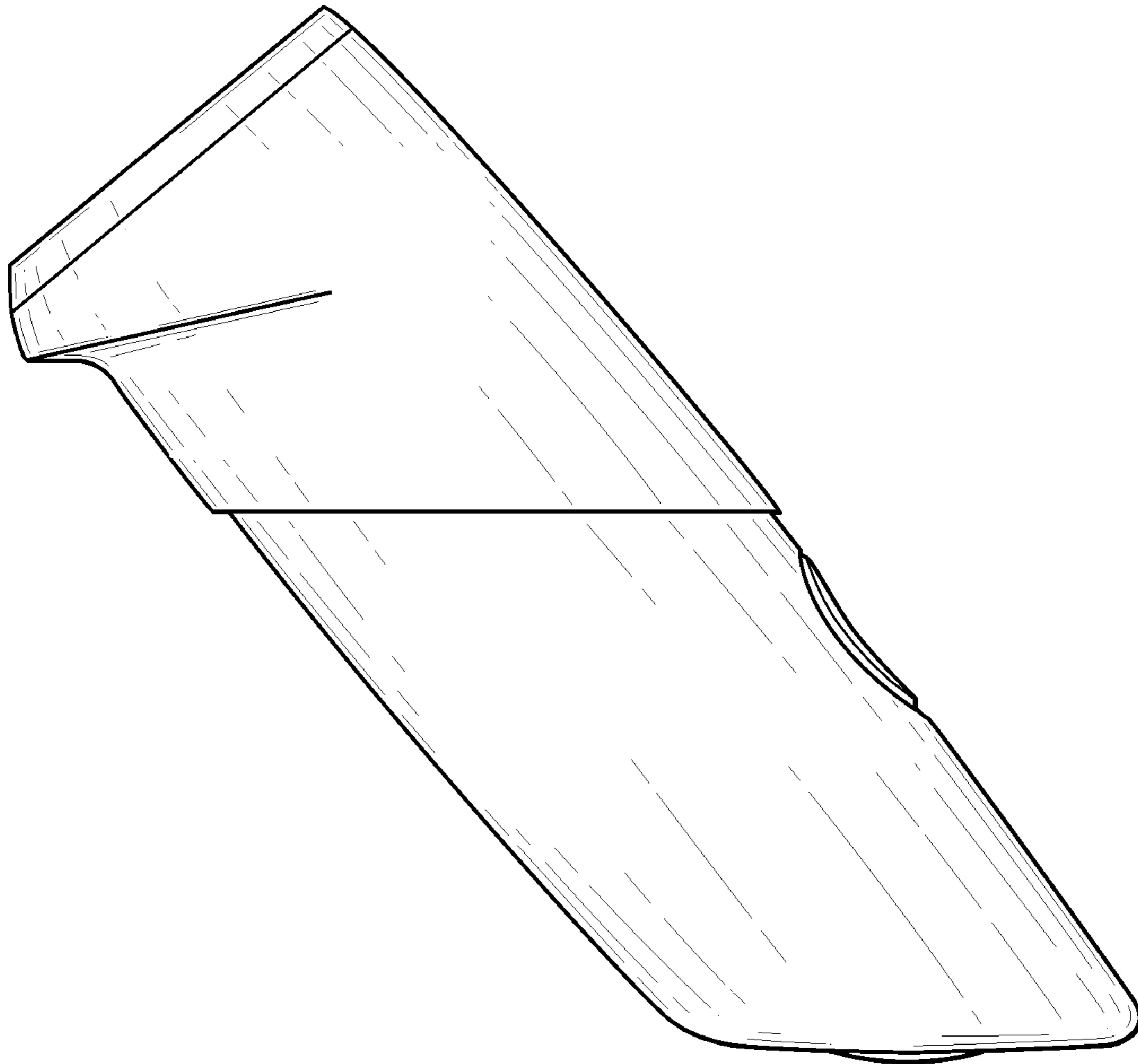


FIG. 13

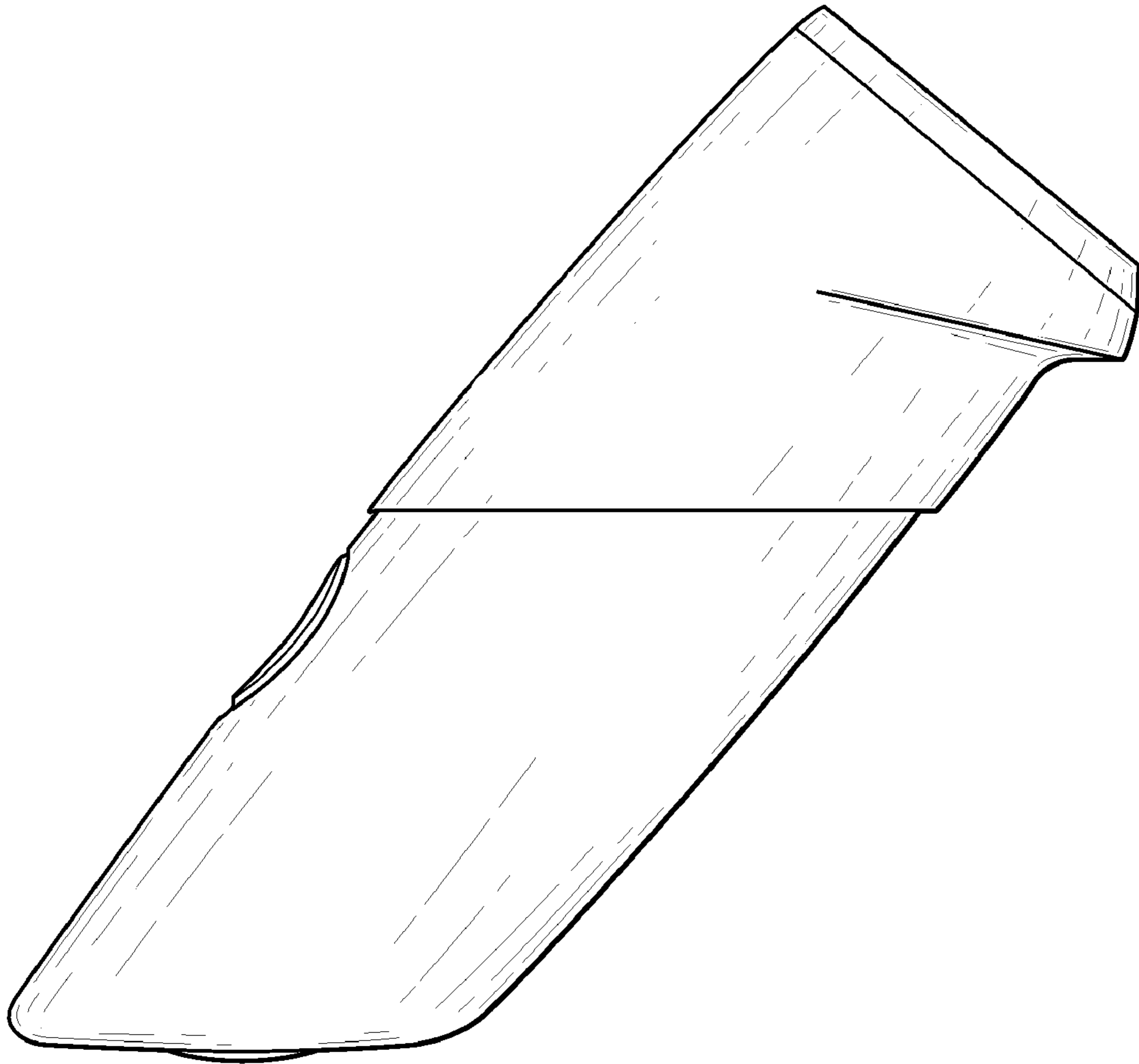


FIG. 14

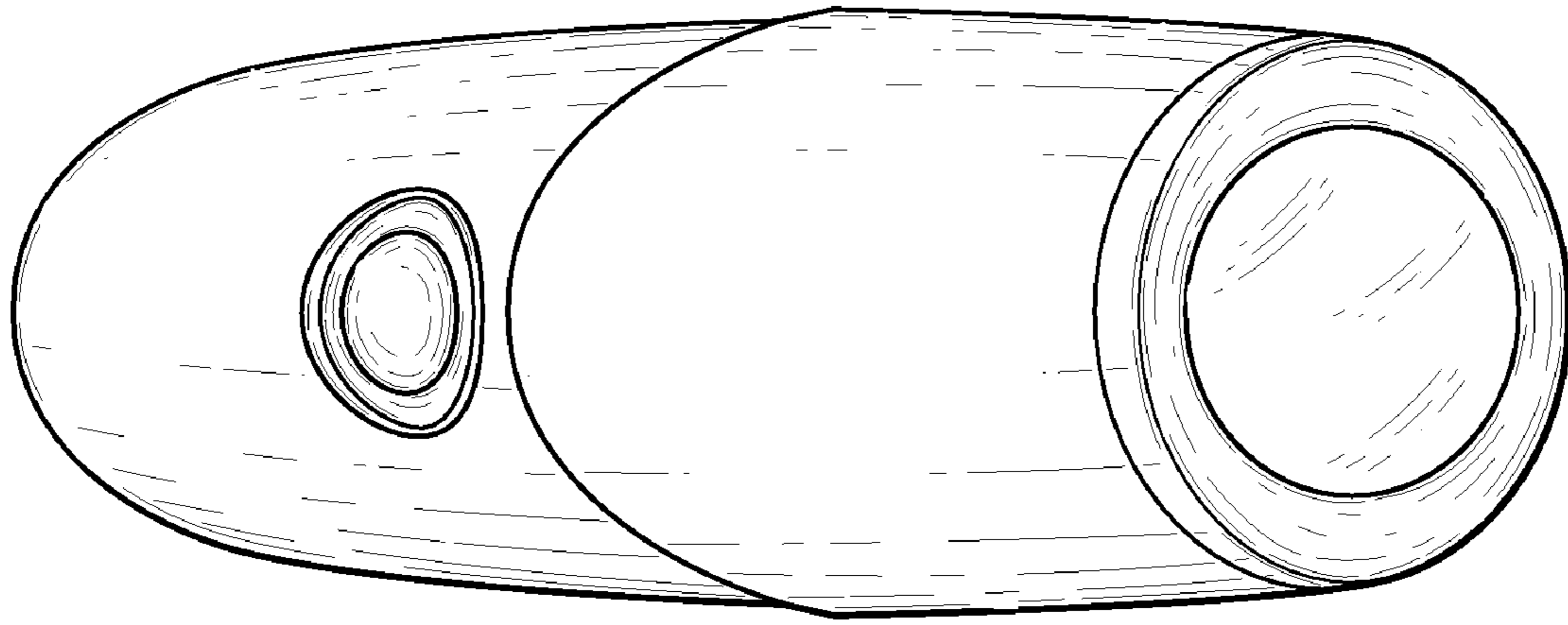


FIG. 15

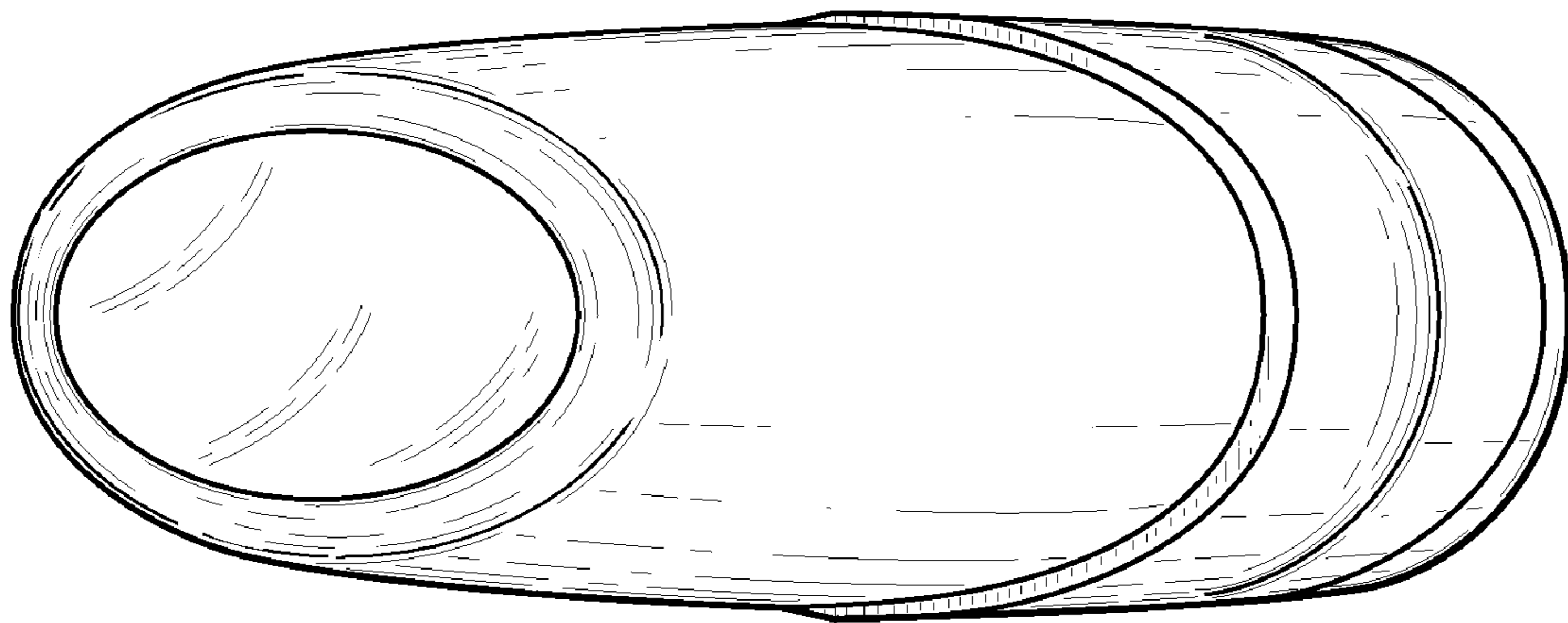


FIG. 16