

US00D559419S

(12) **United States Design Patent**  
**Yuen**

(10) **Patent No.:** **US D559,419 S**  
(45) **Date of Patent:** **\*\* Jan. 8, 2008**

(54) **EMERGENCY WORKING LIGHT**

(76) Inventor: **Se Kit Yuen**, 6/F., Yau Lee Centre, 45  
Hoi Yuen Road, Kwun Tong, Hong  
Kong (CN)

(\*\*) Term: **14 Years**

(21) Appl. No.: **29/213,675**

(22) Filed: **Sep. 20, 2004**

(51) **LOC (8) Cl.** ..... **26-02**

(52) **U.S. Cl.** ..... **D26/42**

(58) **Field of Classification Search** ..... D26/37-50;  
362/157, 158, 171-174, 183-208  
See application file for complete search history.

(56) **References Cited**

**U.S. PATENT DOCUMENTS**

D409,776 S	*	5/1999	Ghode et al.	.....	D26/42
D421,143 S	*	2/2000	Kovacik et al.	.....	D26/42
D421,661 S	*	3/2000	Blye	.....	D26/42
D501,687 S	*	2/2005	Kovacik et al.	.....	D26/42
D501,688 S	*	2/2005	Kovacik et al.	.....	D26/42

\* cited by examiner

*Primary Examiner*—Marcus A. Jackson

(57) **CLAIM**

The ornamental design for a emergency working light, as shown.

**DESCRIPTION**

FIG. 1 is a left side view showing my new design.

FIG. 2 is a right side view thereof.

FIG. 3 is a front end view thereof.

FIG. 4 is a rear end view thereof.

FIG. 5 is a top view thereof.

FIG. 6 is a bottom view thereof.

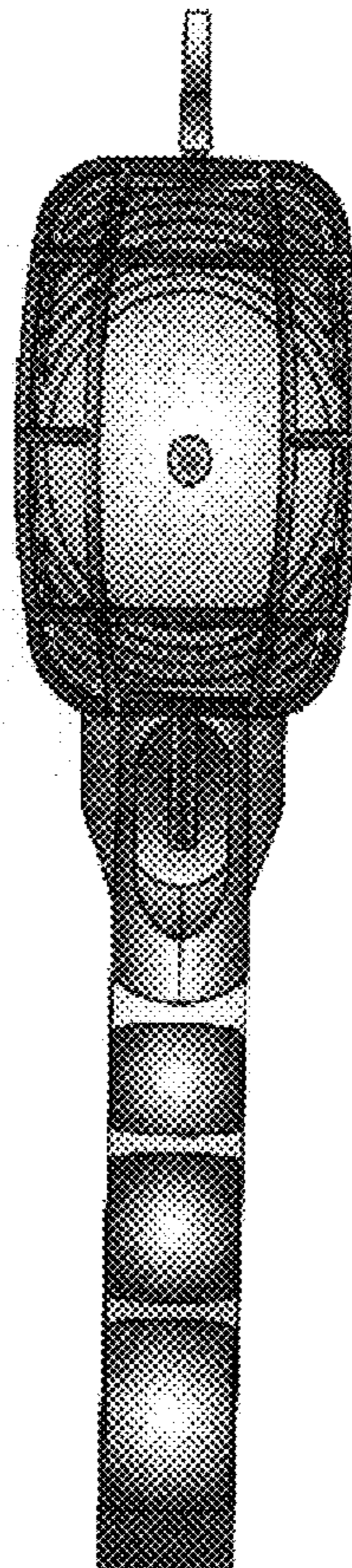
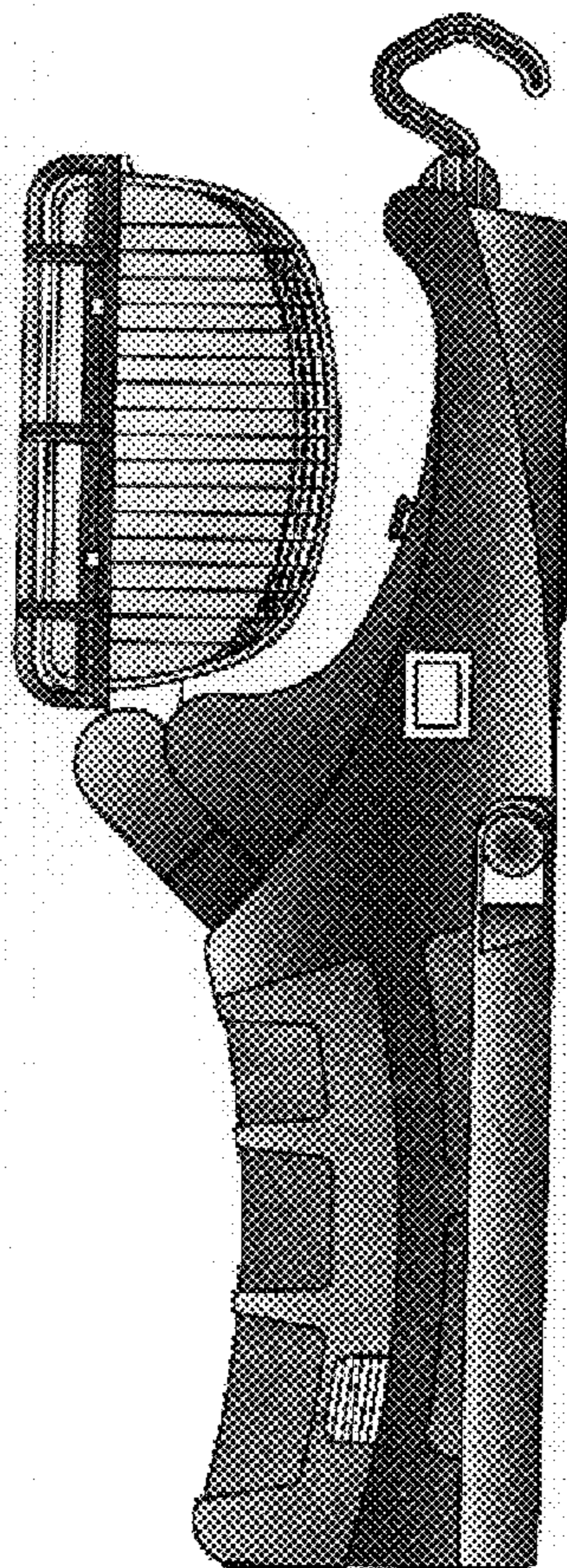
FIG. 7 is another left side view showing a development of a foldable pole thereof.

FIG. 8 is another top view showing a lighting compartment rotates 180 degrees by vertical axis thereof; and,

FIG. 9 is another left side view showing a lighting compartment rotate 90 degrees by horizontal axis thereor.

The surface(s) or portion(s) of the article not shown in the drawing or described in the specification form(s) no part of the claimed design.

**1 Claim, 9 Drawing Sheets**



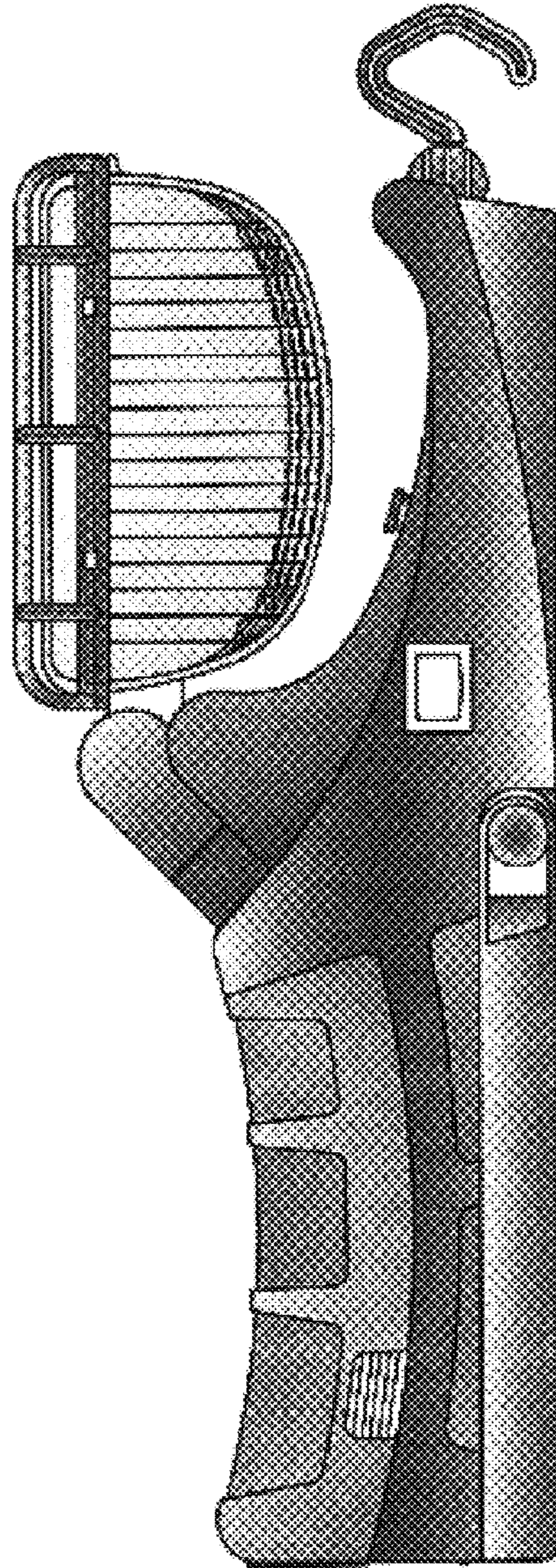


Fig. 1

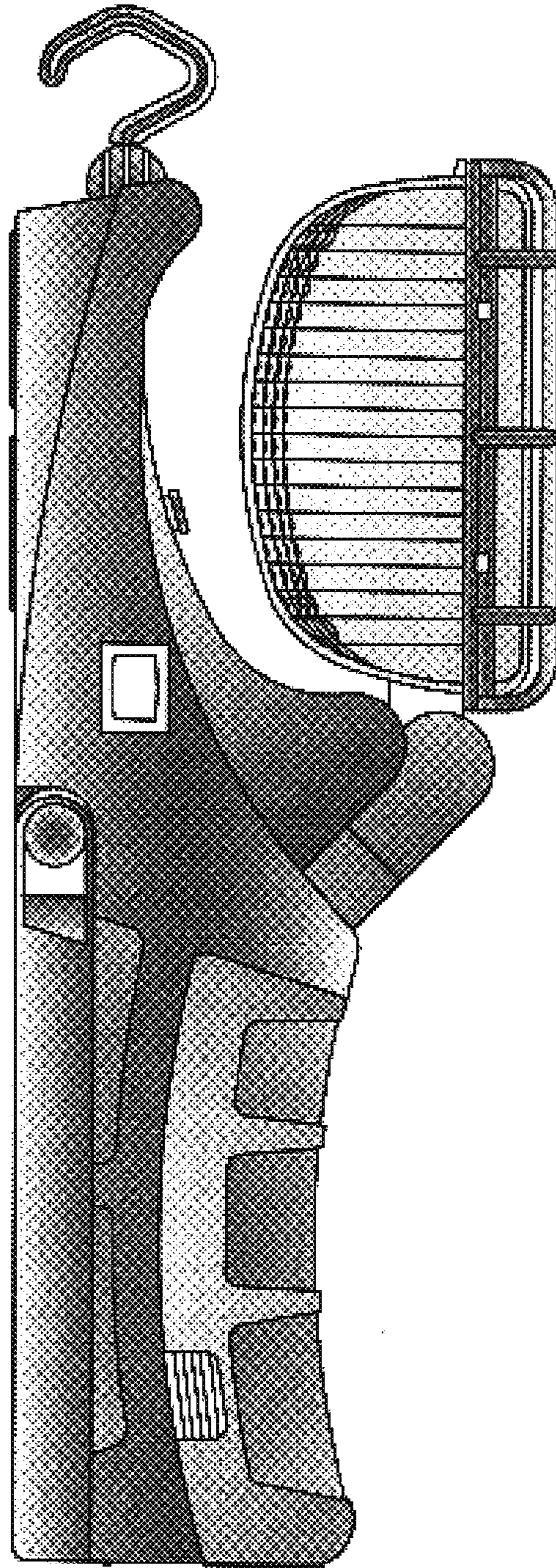


FIG. 2

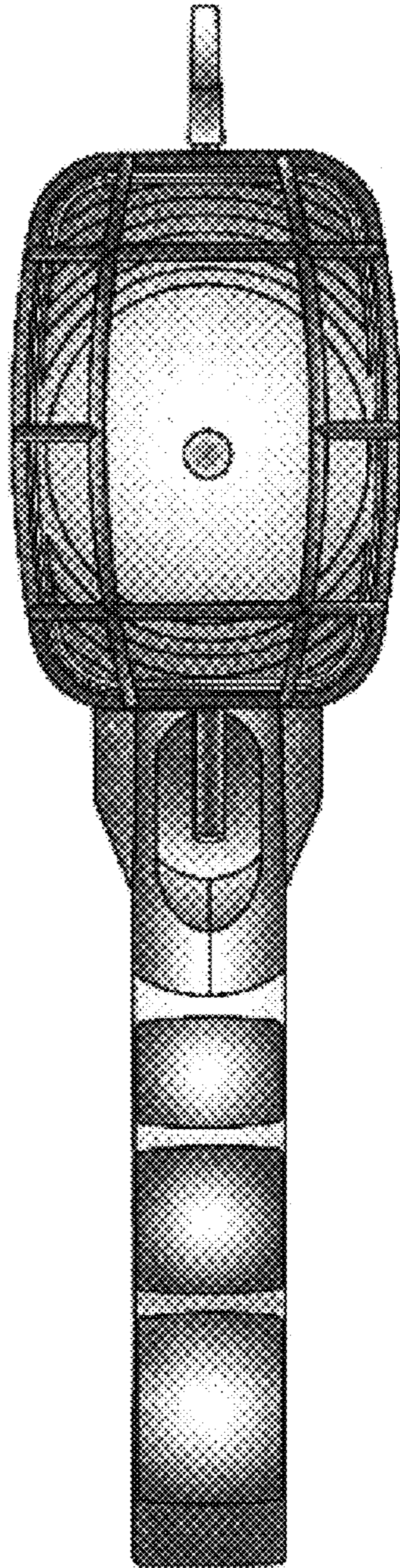


FIG. 3

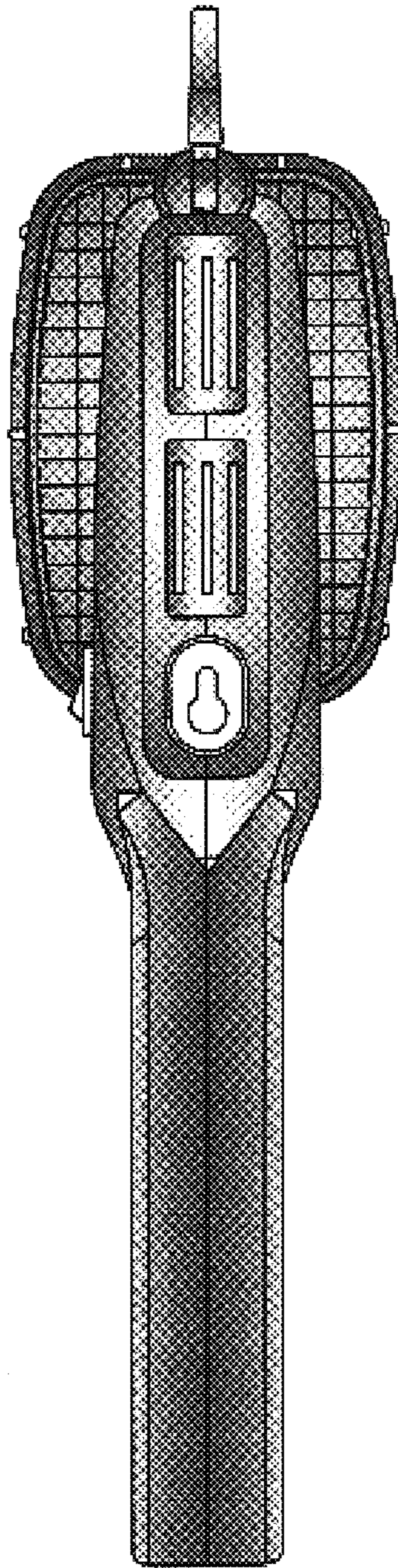


Fig. 4

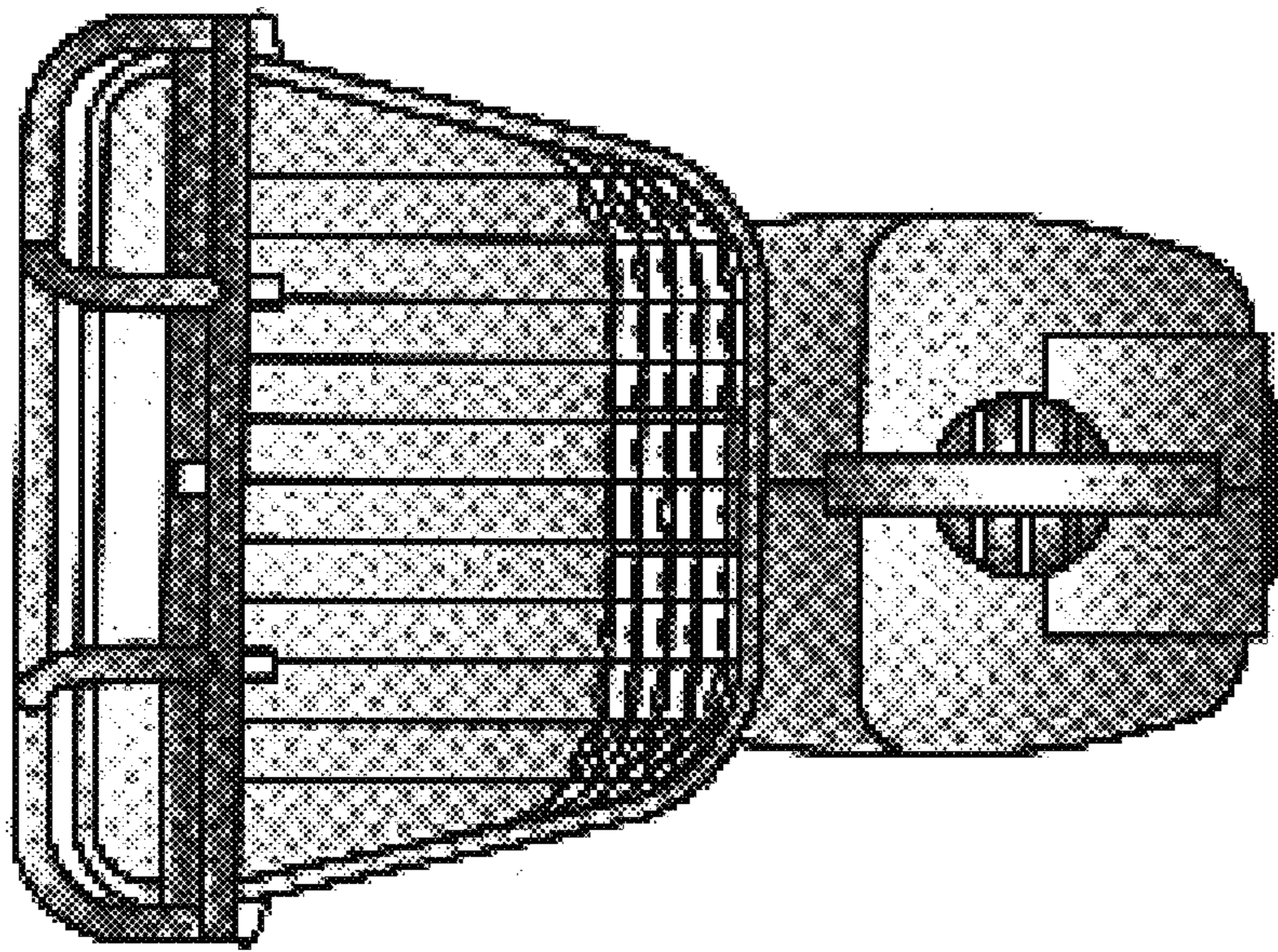


FIG. 5

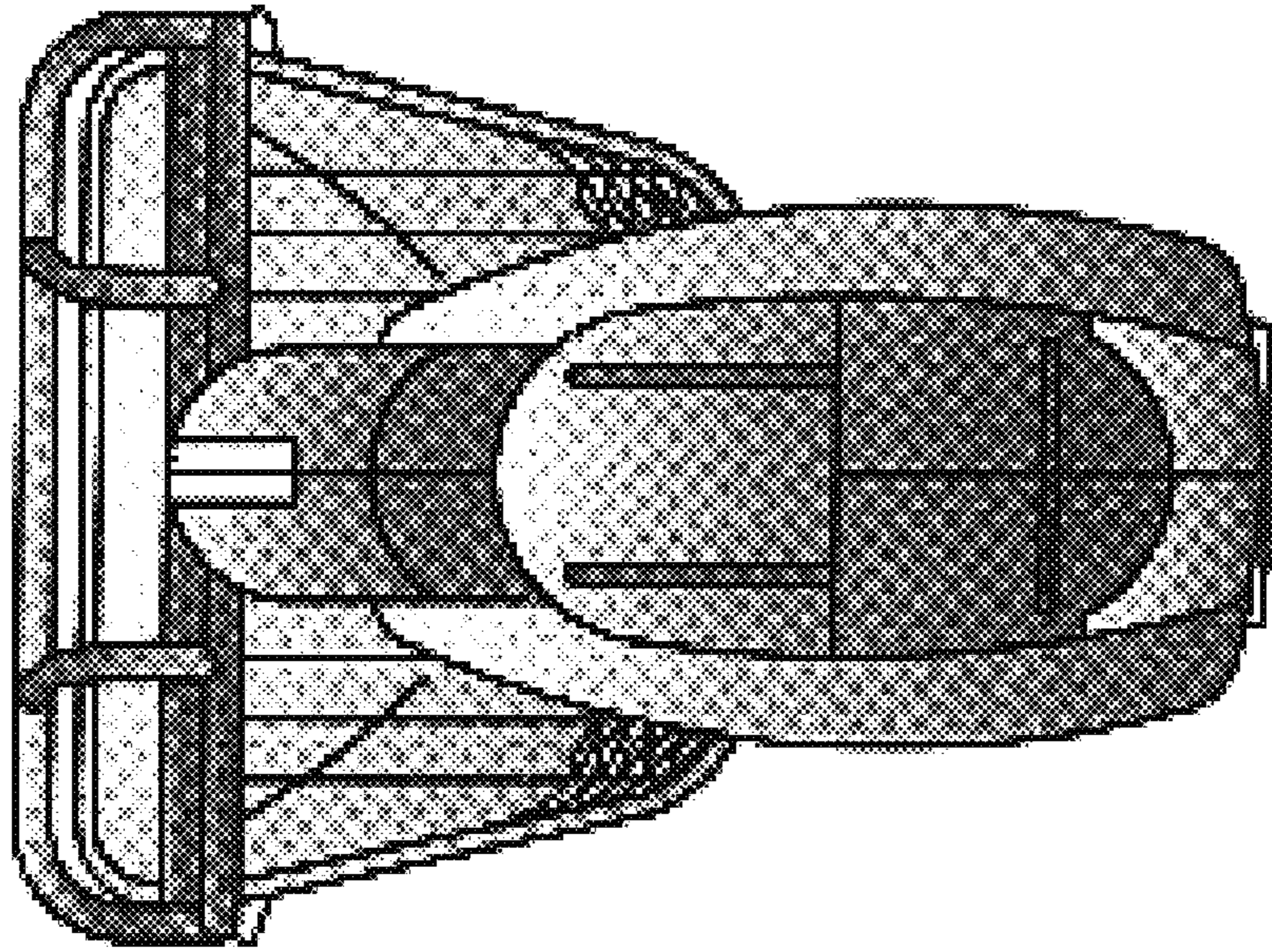


FIG. 6

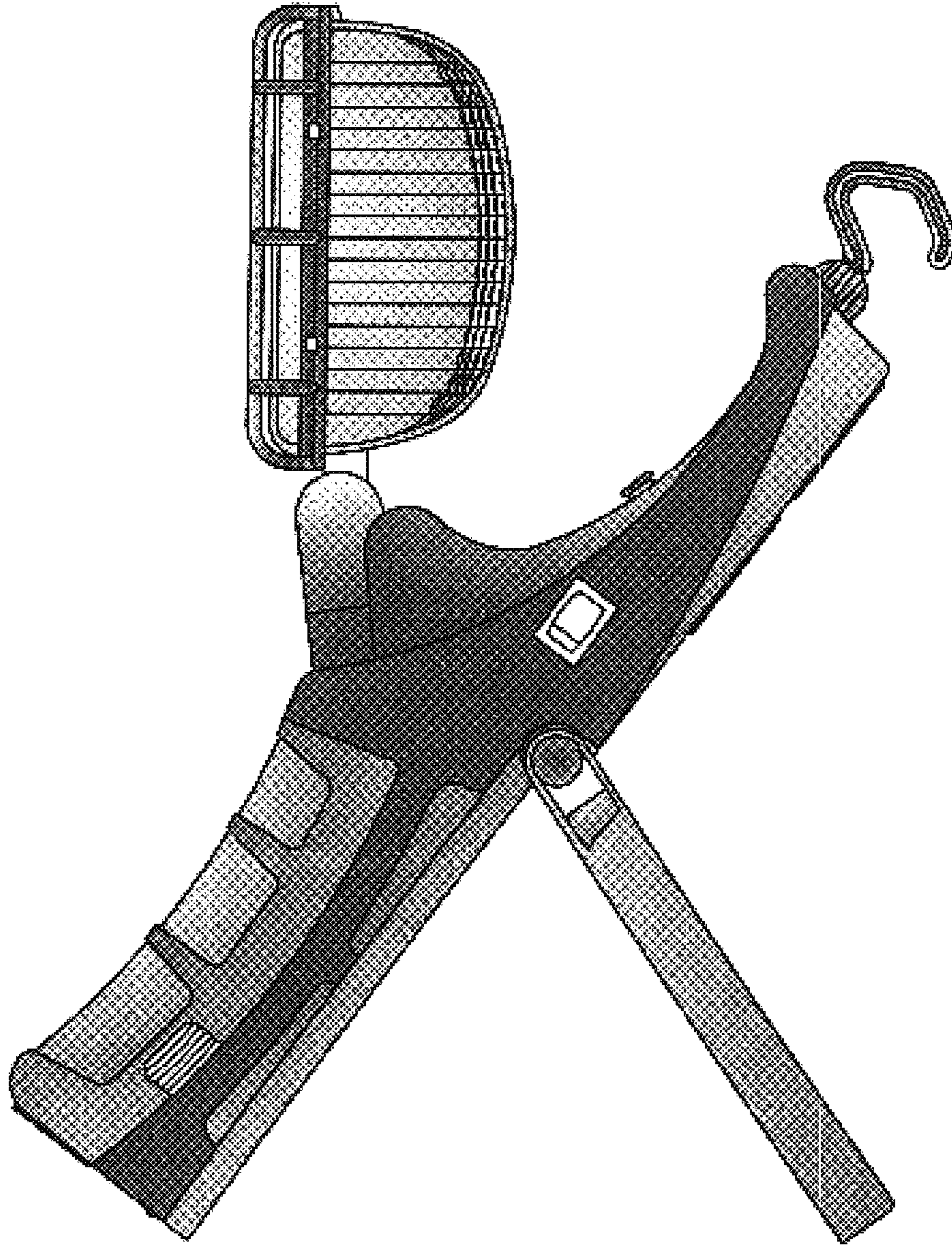


Fig. 7



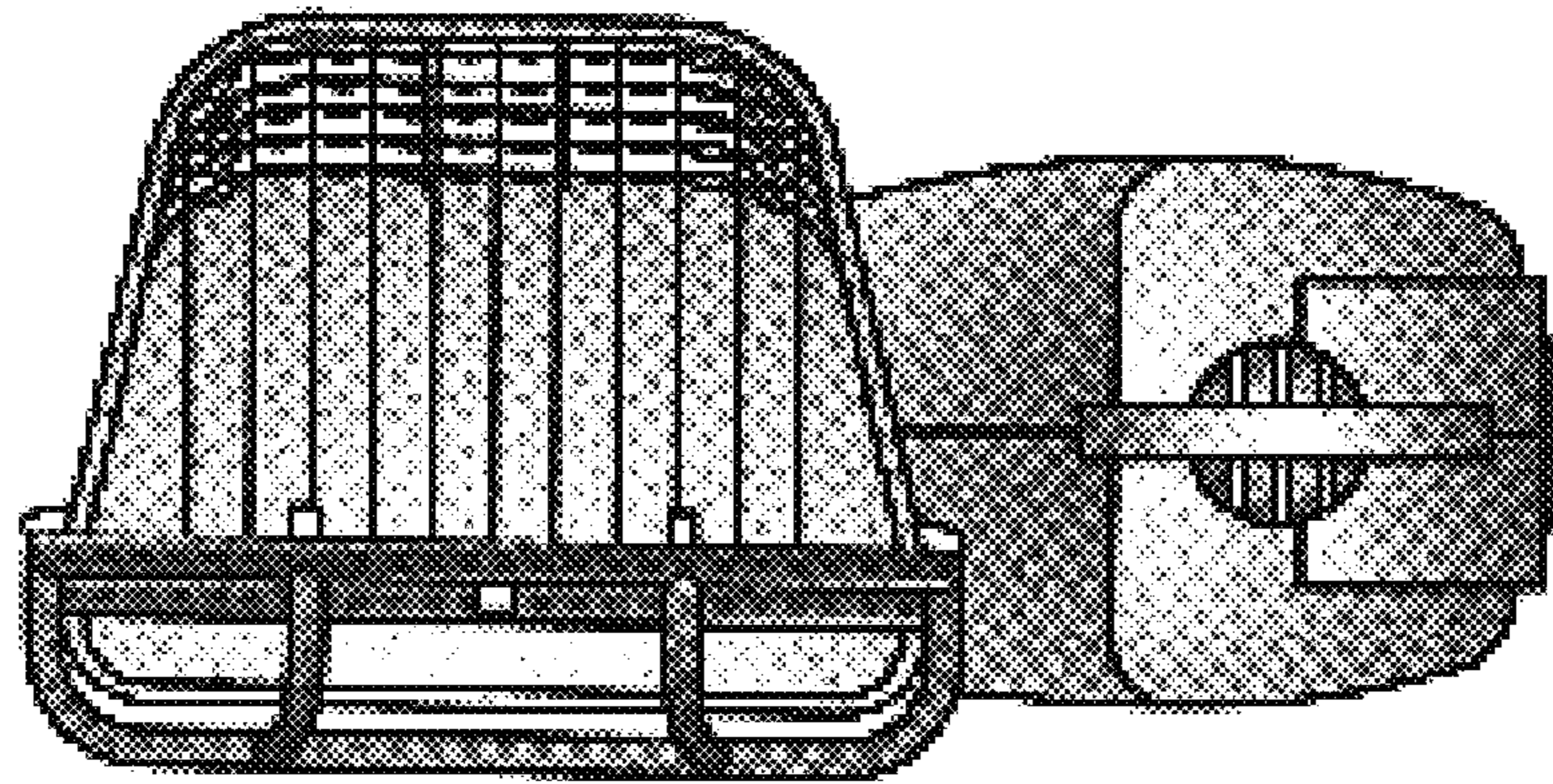


FIG. 8

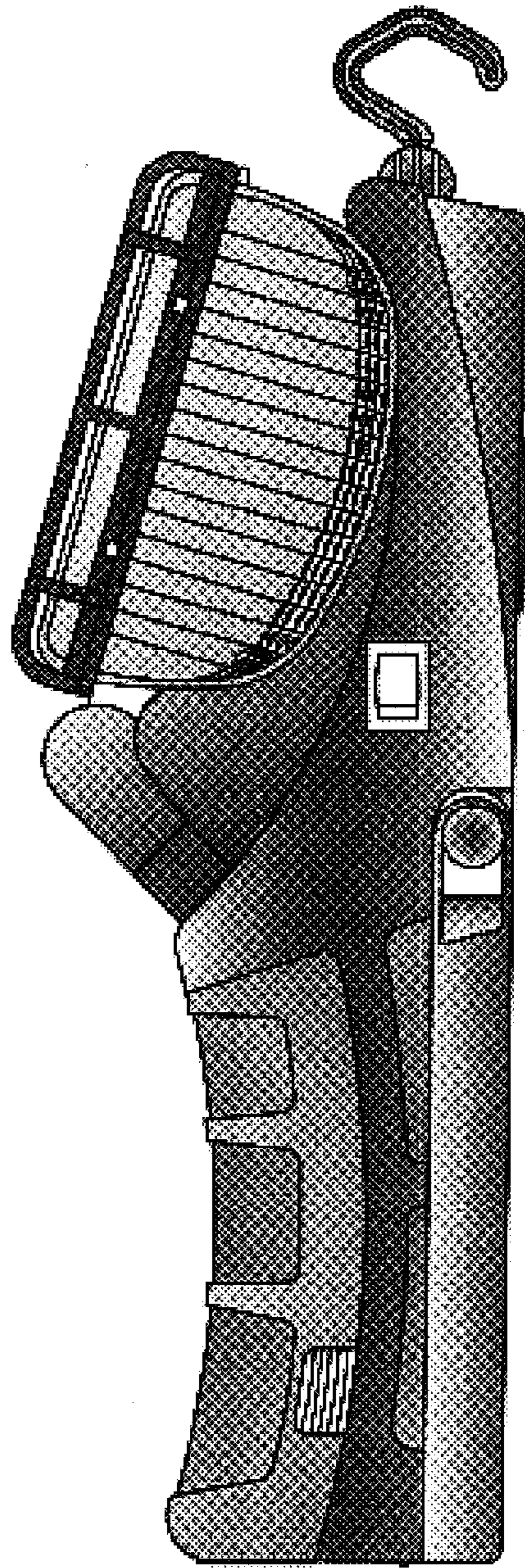


FIG. 9