



US00D559418S

(12) **United States Design Patent**
Poon

(10) **Patent No.:** **US D559,418 S**

(45) **Date of Patent:** **** Jan. 8, 2008**

(54) **HAND DYNAMO RECHARGEABLE
LANTERN**

D546,488 S * 7/2007 Poon D26/40
D546,991 S * 7/2007 Poon D26/40

(75) Inventor: **Tit Wing Poon**, New Territories (HK)

* cited by examiner

(73) Assignee: **Flying Dragon Development Limited**,
New Territories (HK)

Primary Examiner—Marcus A. Jackson
(74) *Attorney, Agent, or Firm*—Intellectual Property Law
Group LLP; Otto O. Lee; Juneko Jackson

(**) Term: **14 Years**

(57) **CLAIM**

(21) Appl. No.: **29/282,190**

The ornamental design for a hand dynamo rechargeable
lantern, as shown and described.

(22) Filed: **Jul. 12, 2007**

(30) **Foreign Application Priority Data**

DESCRIPTION

Apr. 30, 2007 (HK) 0701205

FIG. 1 is a perspective view of a hand dynamo rechargeable
lantern embodying my new design;

(51) **LOC (8) Cl.** **26-02**

FIG. 2 is a front elevational view thereof;

(52) **U.S. Cl.** **D26/40**

FIG. 3 is a rear elevational view thereof;

(58) **Field of Classification Search** D26/37-50;
362/157, 158, 171-174, 183-208

FIG. 4 is a right side elevational view thereof;

See application file for complete search history.

FIG. 5 is a left side elevational view thereof;

(56) **References Cited**

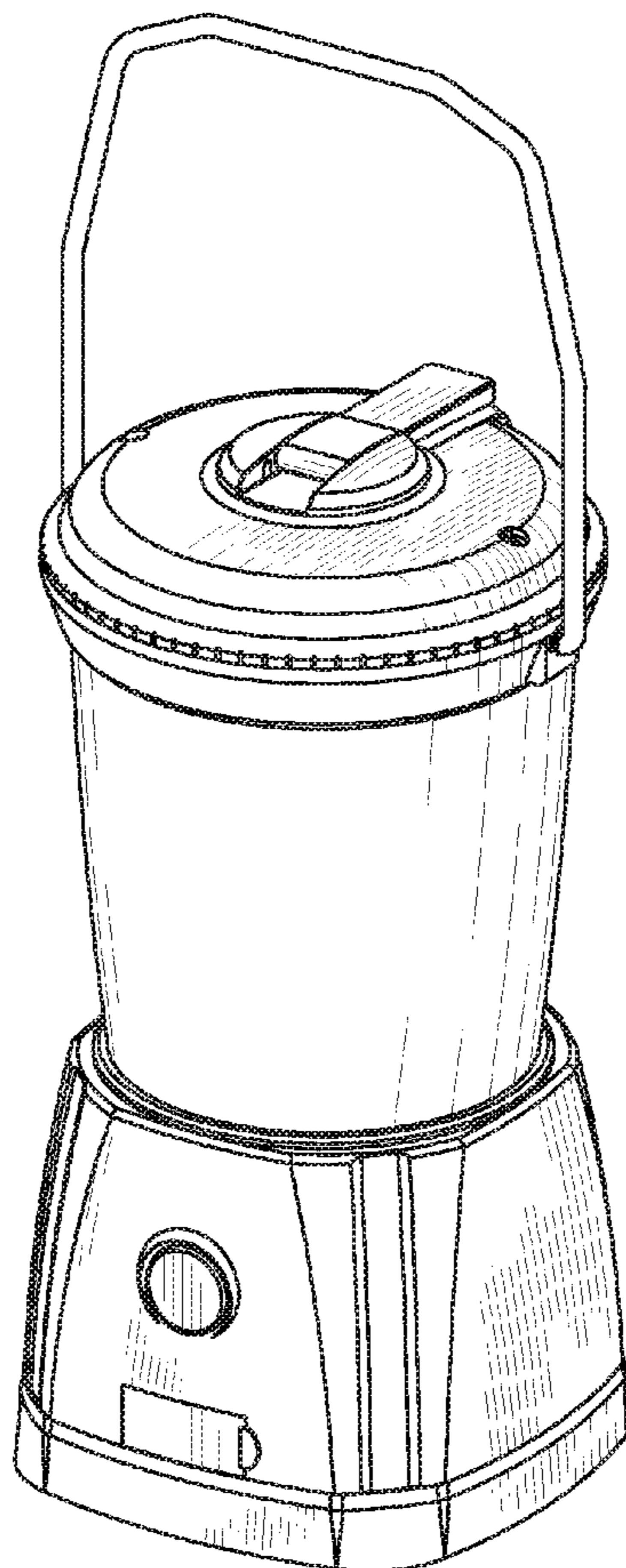
FIG. 6 is a top plan view thereof; and,

U.S. PATENT DOCUMENTS

FIG. 7 is a bottom plan view thereof.

D542,953 S * 5/2007 Lee D26/40

1 Claim, 3 Drawing Sheets



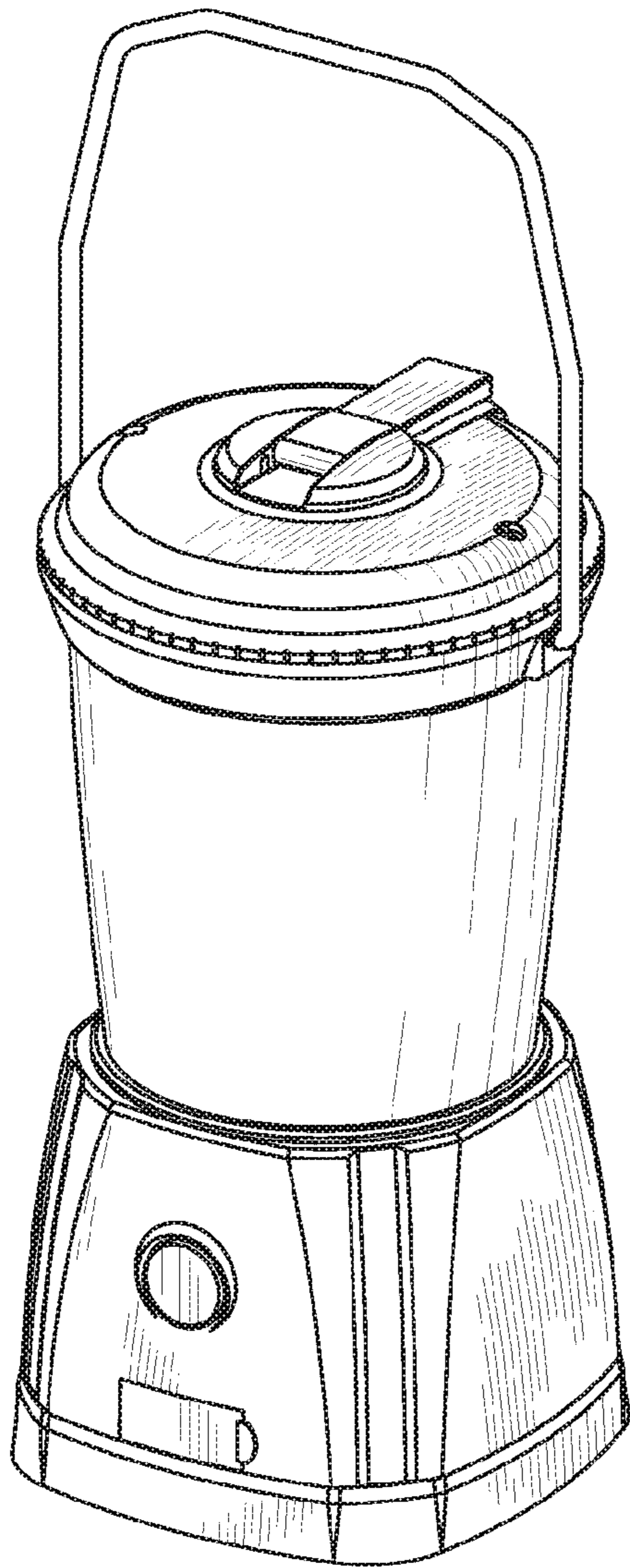


FIG. 1

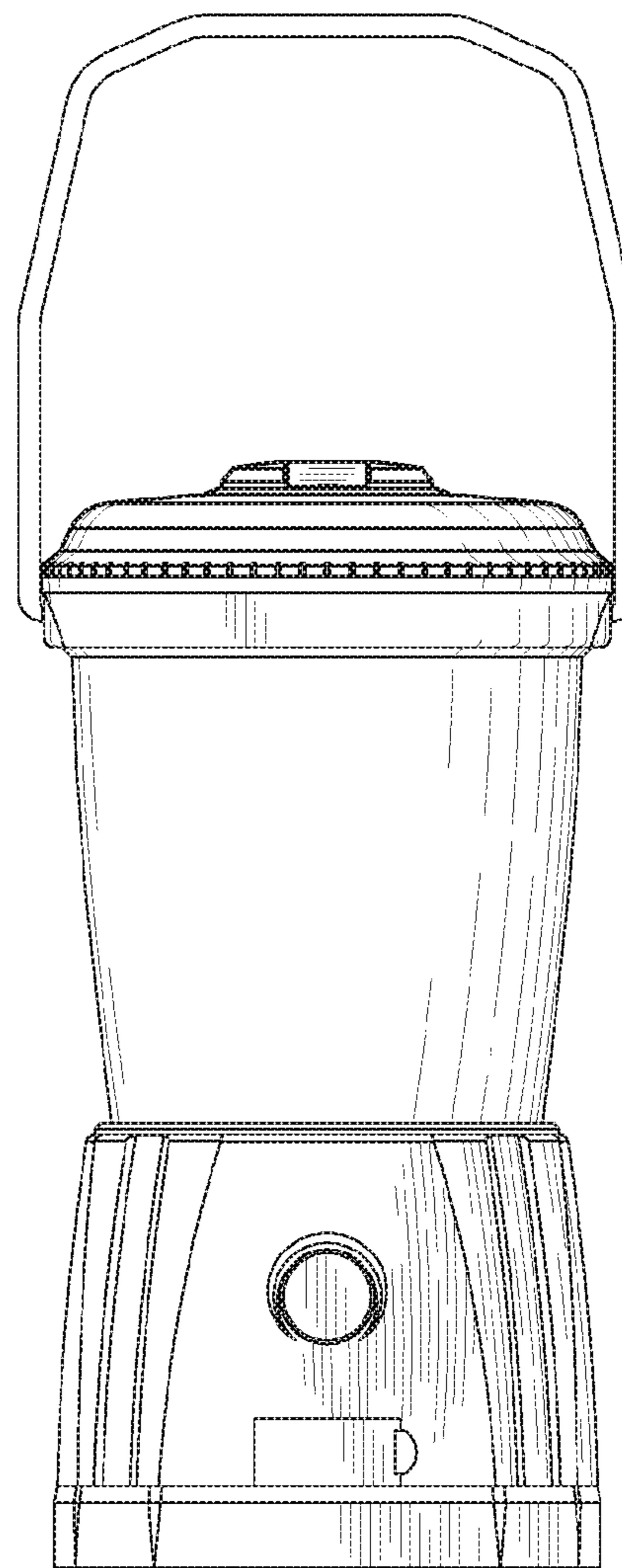


FIG. 2

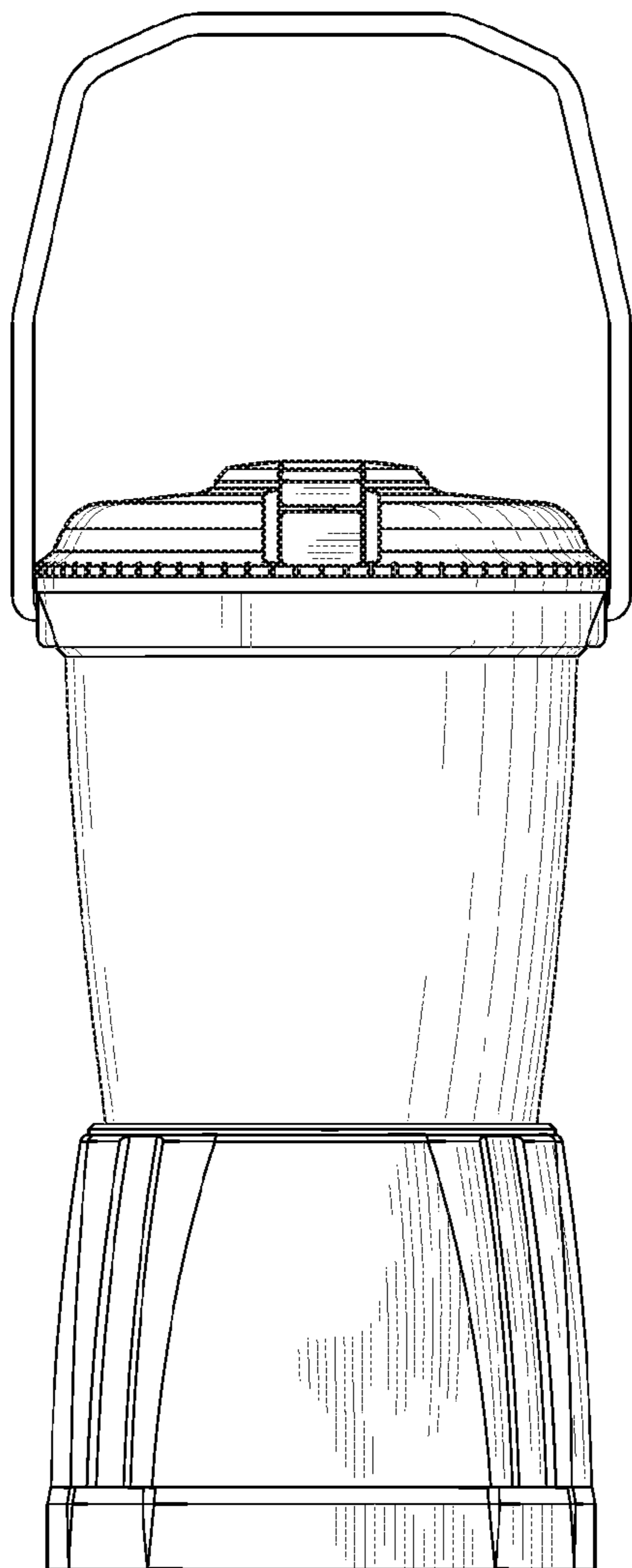


FIG. 3

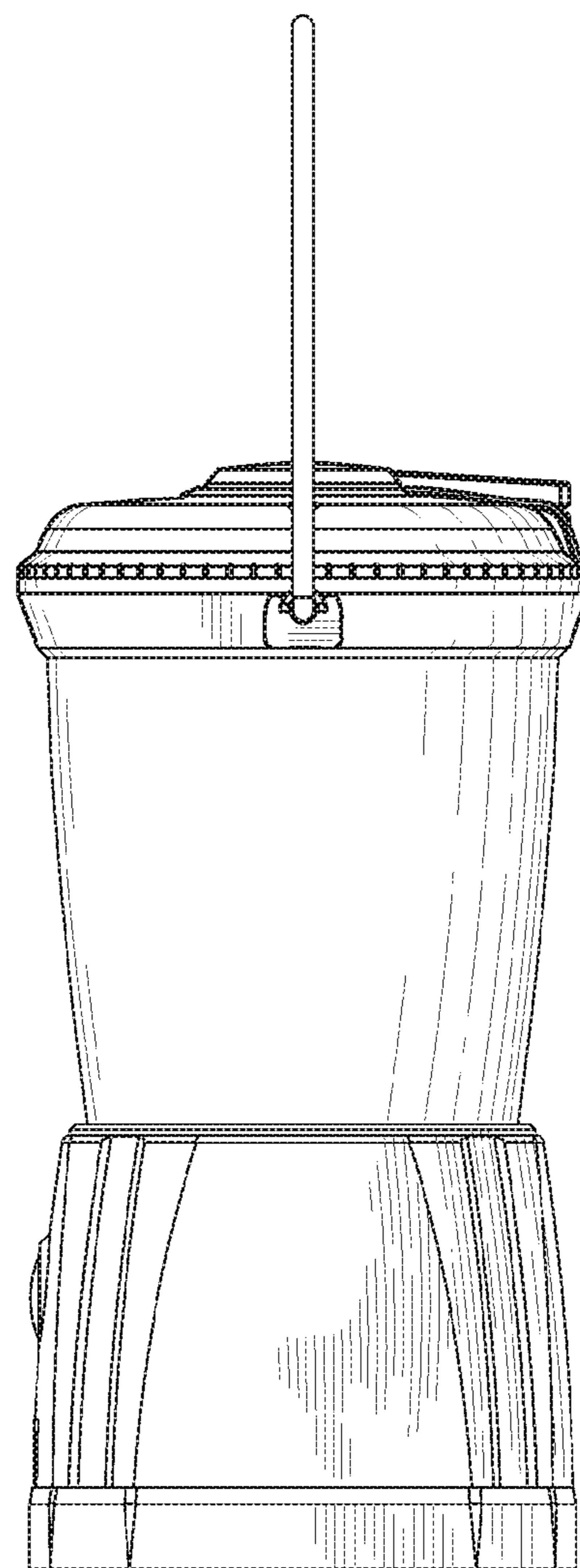


FIG. 4

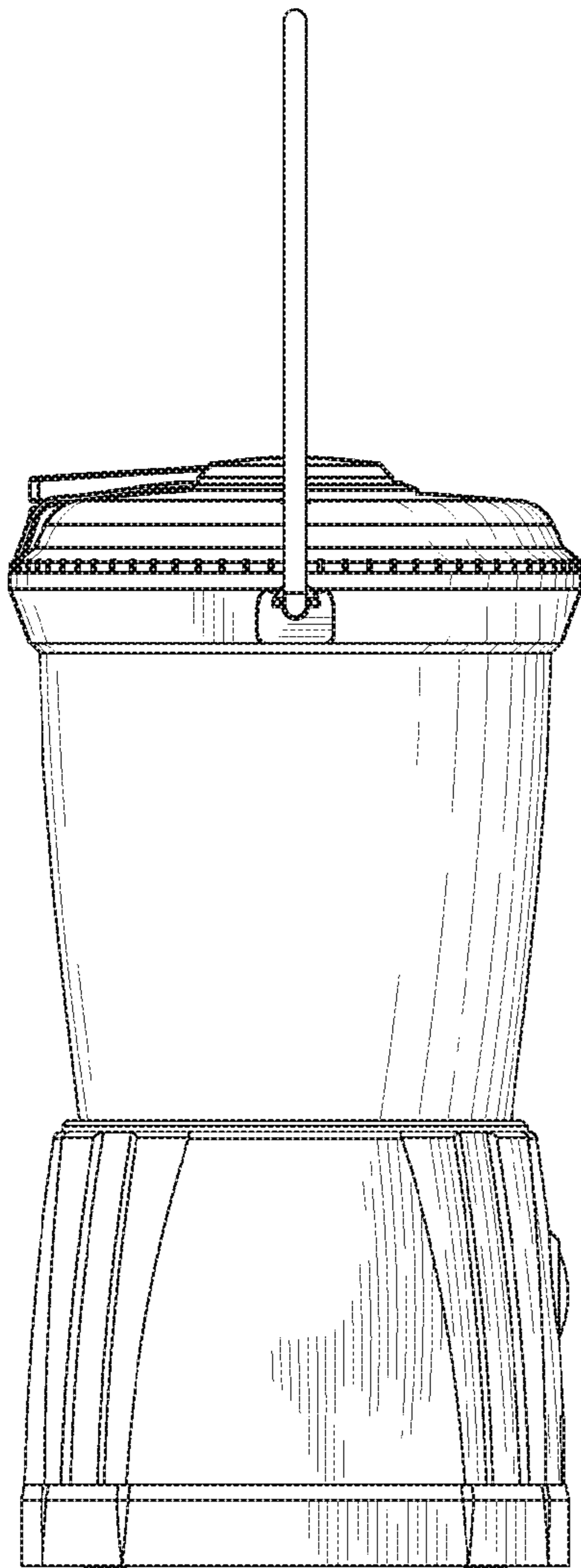


FIG. 5

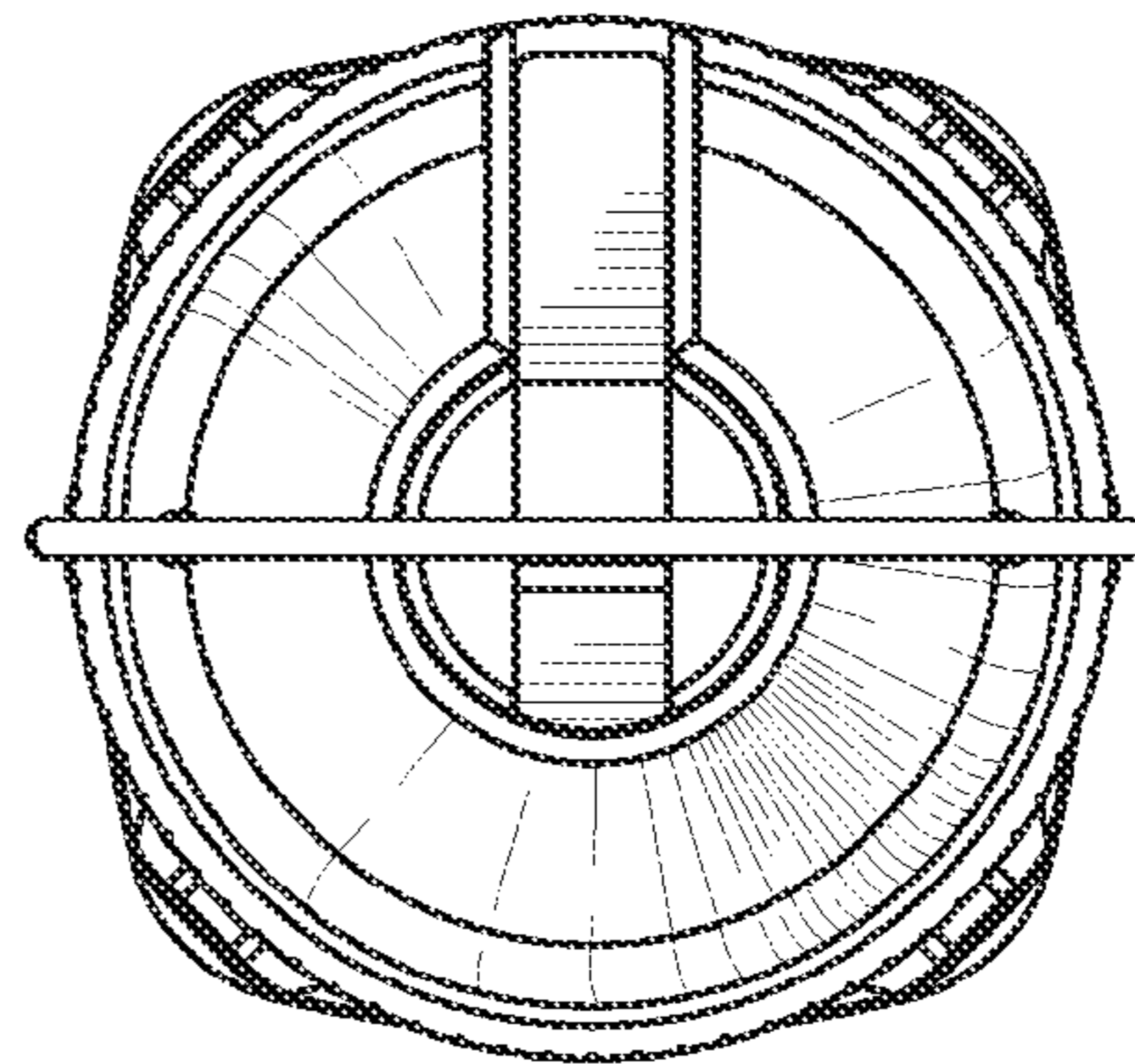


FIG. 6

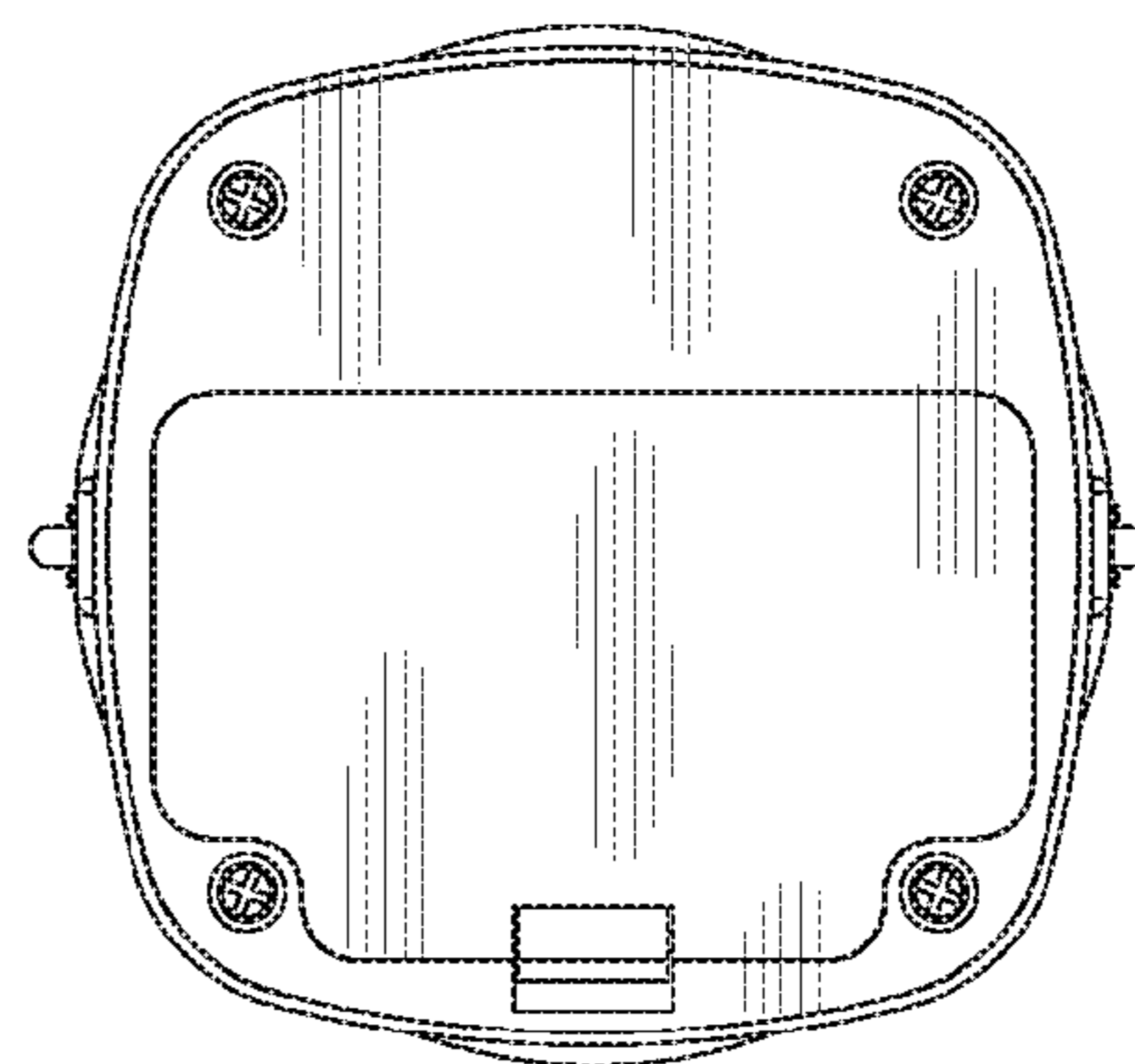


FIG. 7