



US00D559417S

(12) **United States Design Patent**  
**Krieger et al.**

(10) **Patent No.:** **US D559,417 S**

(45) **Date of Patent:** **\*\* Jan. 8, 2008**

(54) **RECHARGEABLE FLASHLIGHT**  
(75) Inventors: **Michael Krieger**, Miami Beach, FL  
(US); **Kevin Ellsworth**, Alva, FL (US)

D494,694 S \* 8/2004 Krieger et al. .... D26/37  
D507,064 S \* 7/2005 Osiecki et al. .... D26/37  
D517,710 S \* 3/2006 Krieger et al. .... D26/37  
D534,288 S \* 12/2006 Krieger et al. .... D26/38

(73) Assignee: **Vector Products, Inc.**, Plantation, FL  
(US)

\* cited by examiner

(\*\*) Term: **14 Years**

*Primary Examiner*—Ian Simmons

*Assistant Examiner*—Carissa C. Fitts

(21) Appl. No.: **29/190,507**

(74) *Attorney, Agent, or Firm*—Venable LLP; Robert Kinberg; Kyle D. Petaja

(22) Filed: **Sep. 23, 2003**

(57) **CLAIM**

**Related U.S. Application Data**

The ornamental design for a rechargeable flashlight, as shown and described.

(63) Continuation of application No. 29/172,527, filed on Dec. 13, 2002, now Pat. No. Des. 481,812.

**DESCRIPTION**

(51) **LOC (8) Cl.** ..... **26-02**  
(52) **U.S. Cl.** ..... **D26/37**  
(58) **Field of Classification Search** ..... D26/37,  
D26/38, 40, 41, 45, 46, 48, 49, 50, 52, 61,  
D26/67, 63, 93, 119, 133, 134, 118, 120,  
D26/139, 104; D24/210; 362/572, 573,  
362/577, 477, 183, 186, 157, 158, 325, 354,  
362/457, 458

FIG. 1 is a perspective view from the front-top-right side of the rechargeable flashlight showing an embodiment of our new design;

FIG. 2 is a front view of the design shown in FIG. 1;

FIG. 3 is a rear view of the design shown in FIG. 1;

FIG. 4 is a left side view of the design shown in FIG. 1;

FIG. 5 is a right side view of the design shown in FIG. 1;

FIG. 6 is a top view of the design shown in FIG. 1; and,

FIG. 7 is a bottom view of the design shown in FIG. 1.

See application file for complete search history.

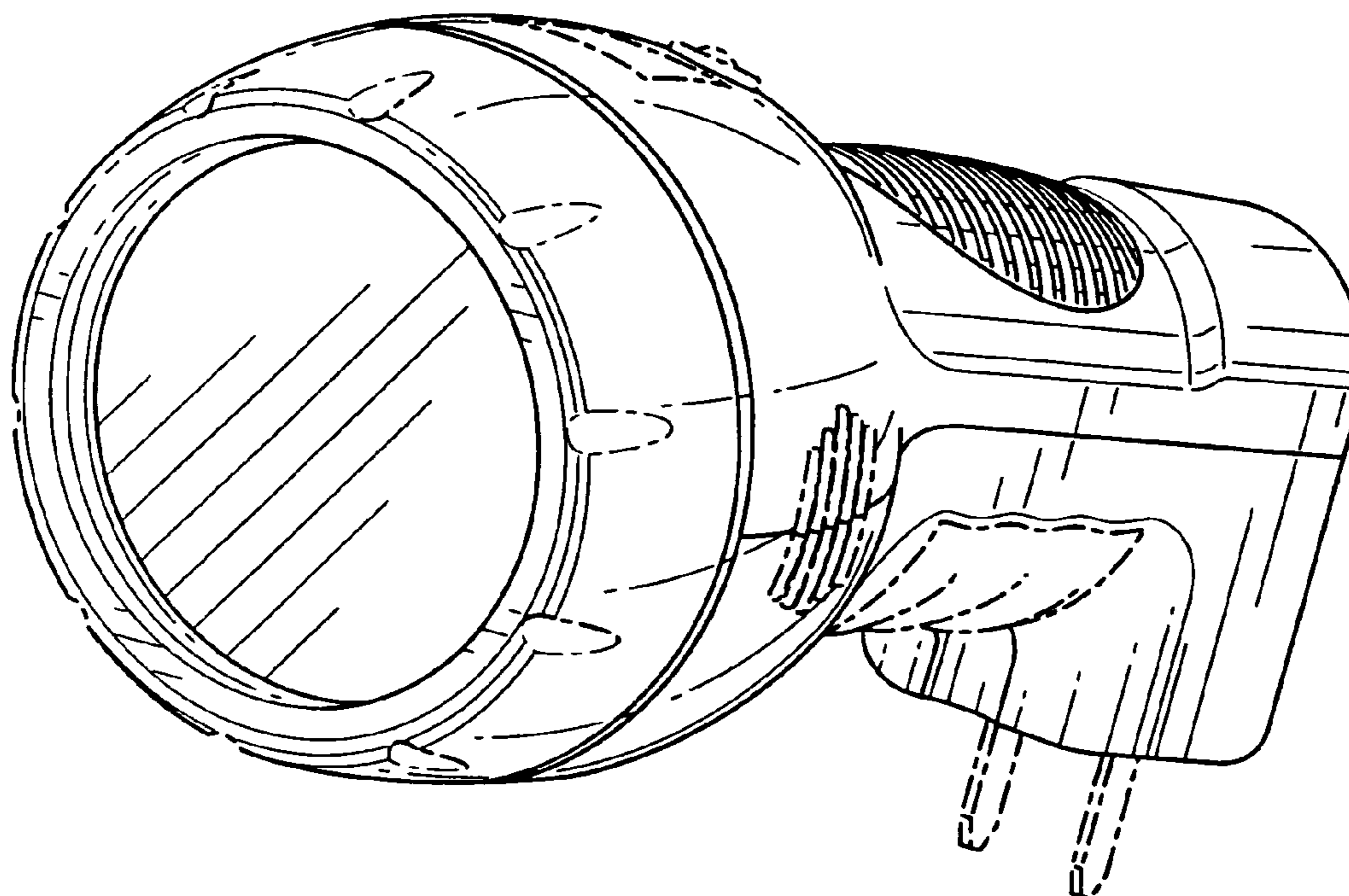
The broken lines immediately adjacent the shaded areas represent the bounds of the claimed design while all other broken lines are for illustrative purposes only; the broken lines form no part of the claimed design.

(56) **References Cited**

**U.S. PATENT DOCUMENTS**

D395,719 S 6/1998 Concui  
D403,446 S 12/1998 Lynch et al.  
D407,509 S 3/1999 Yuen  
D448,876 S \* 10/2001 Osiecki et al. .... D26/46  
D484,996 S \* 1/2004 Krieger et al. .... D26/37

**1 Claim, 6 Drawing Sheets**



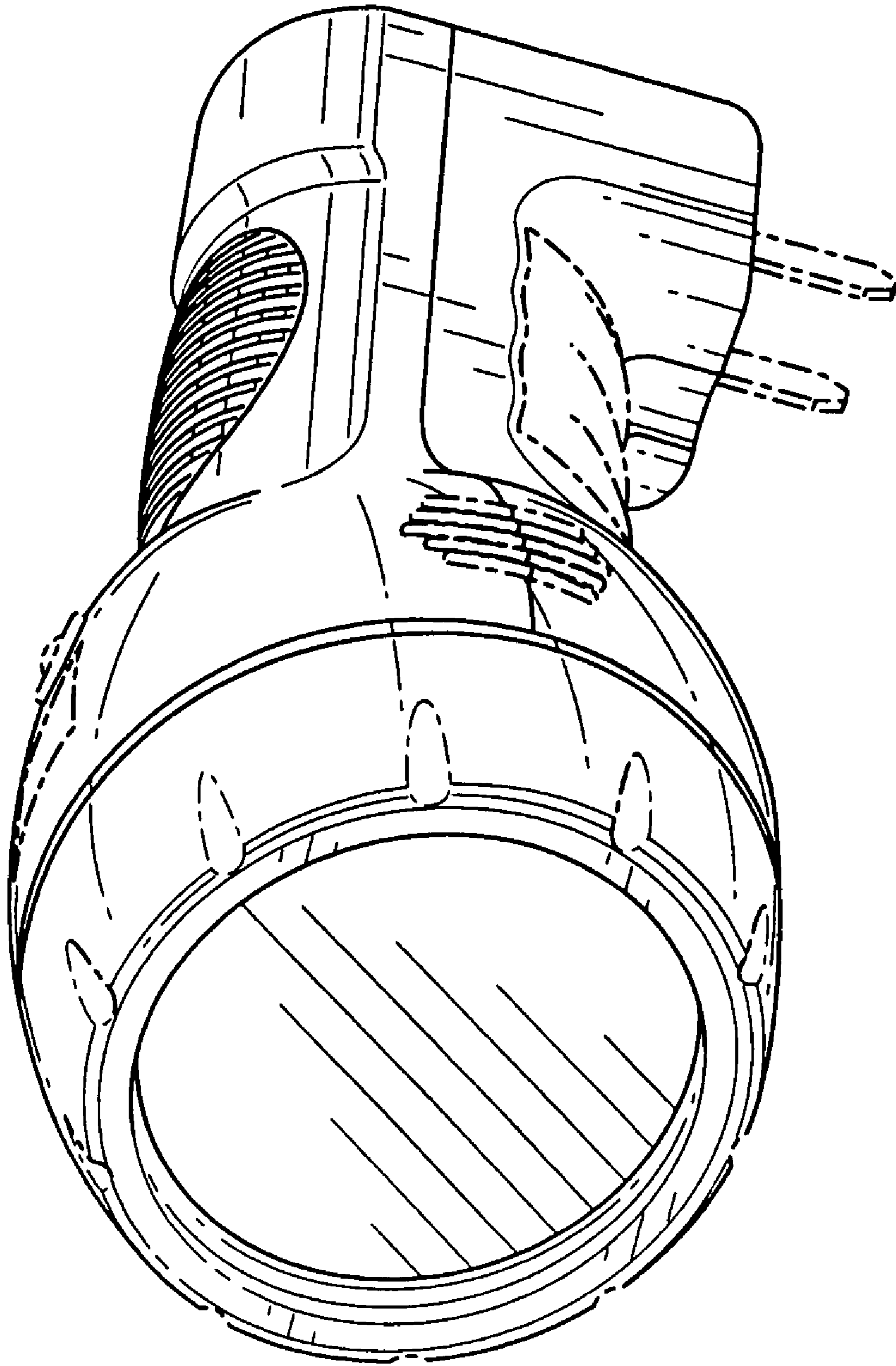


FIG. 1

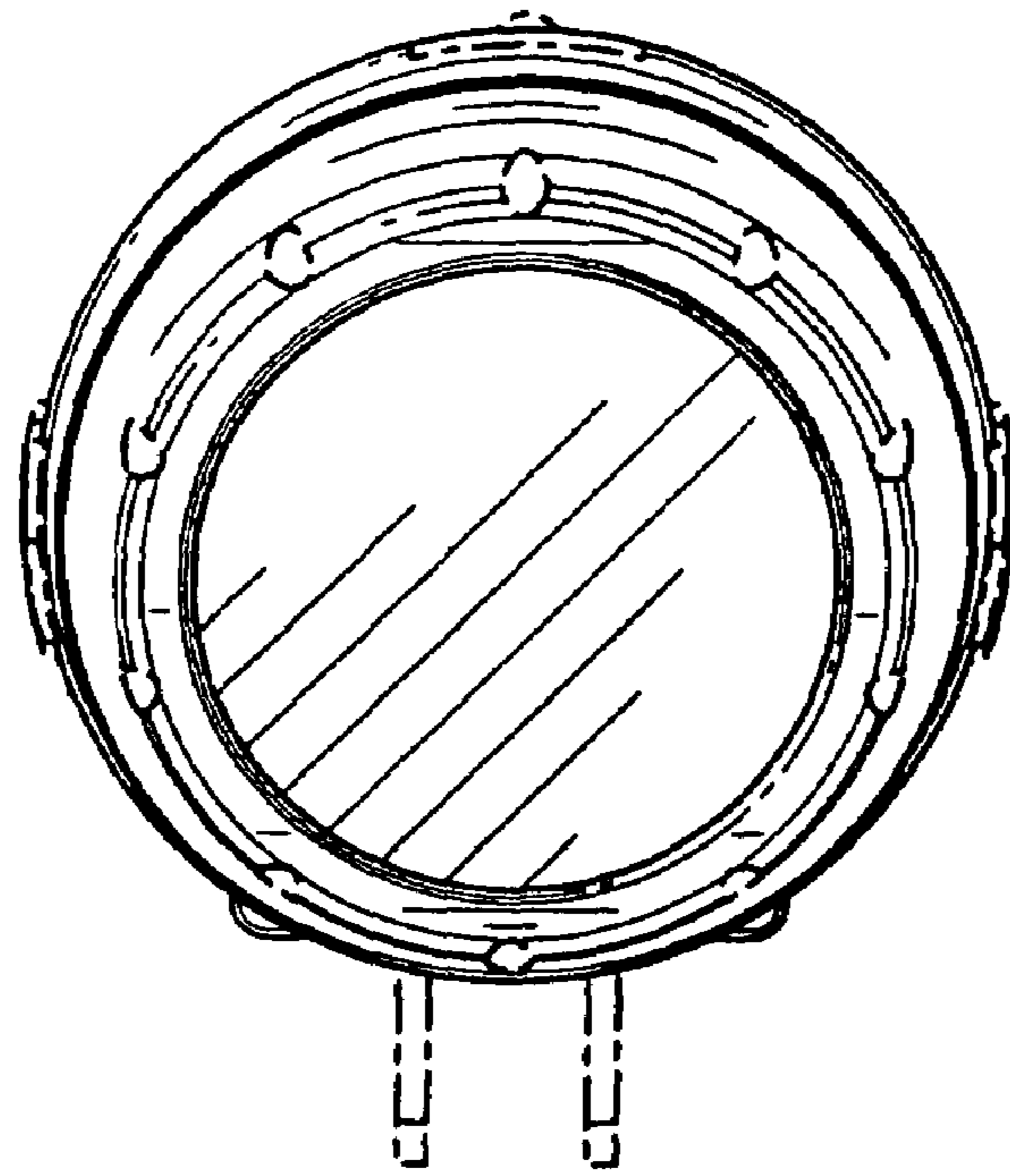


FIG. 2

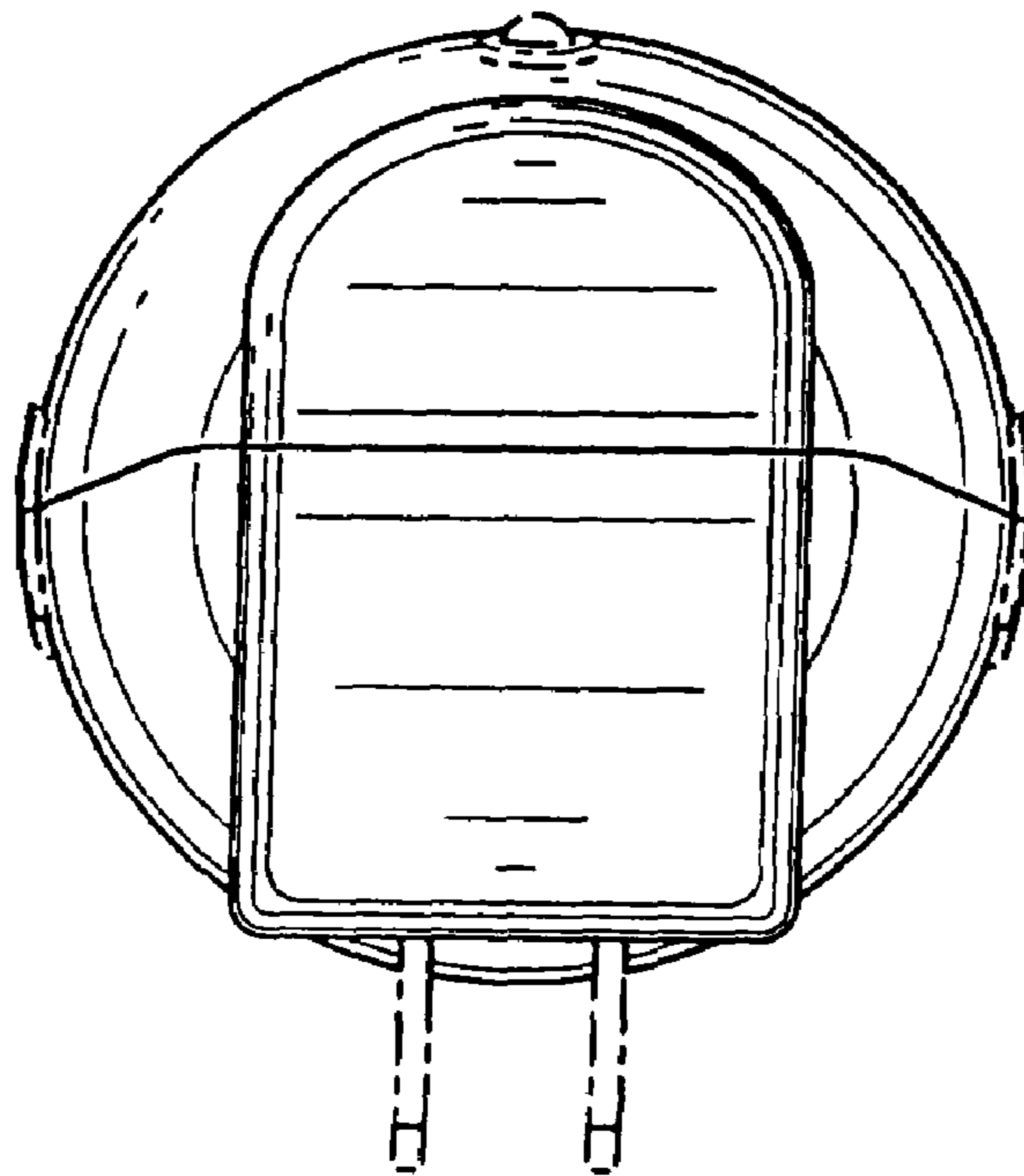


FIG. 3

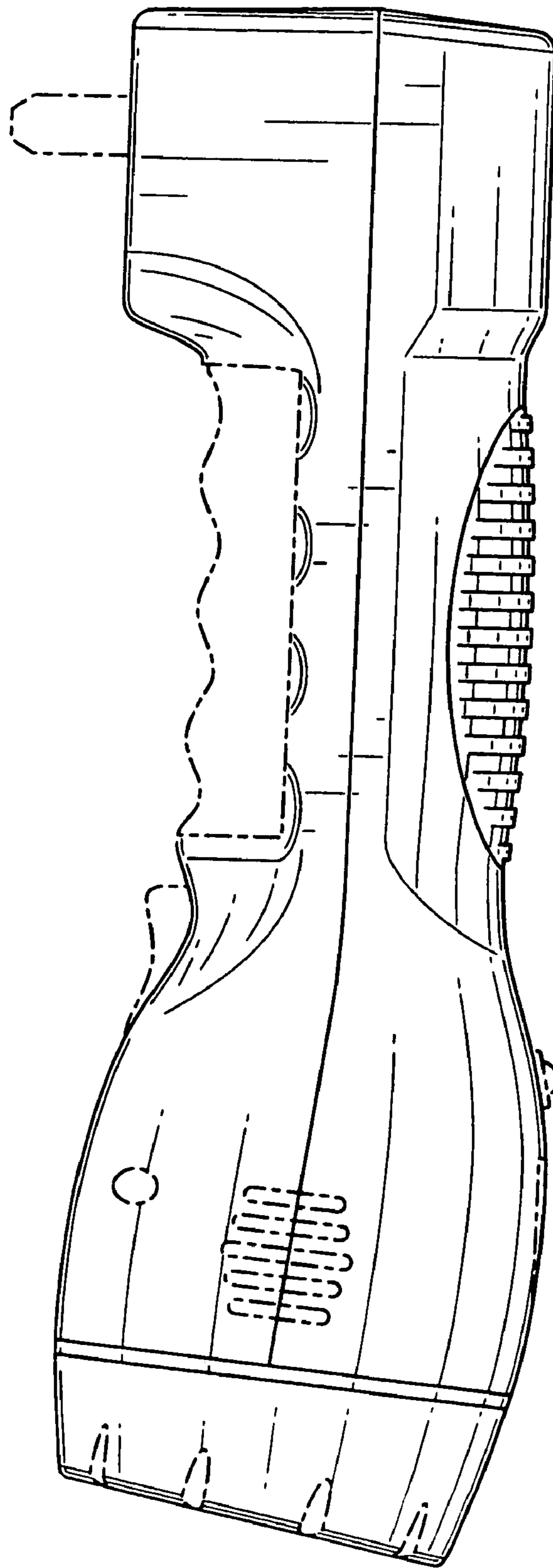


FIG. 4



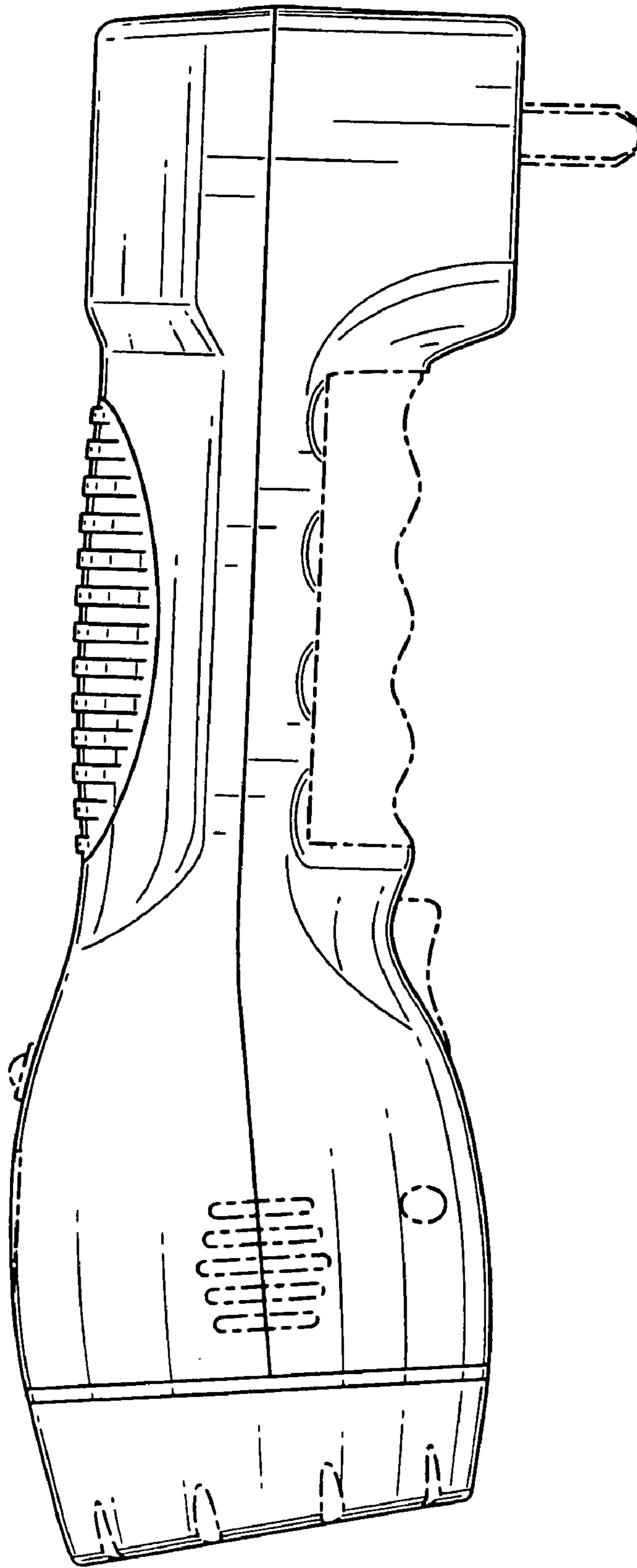


FIG. 5

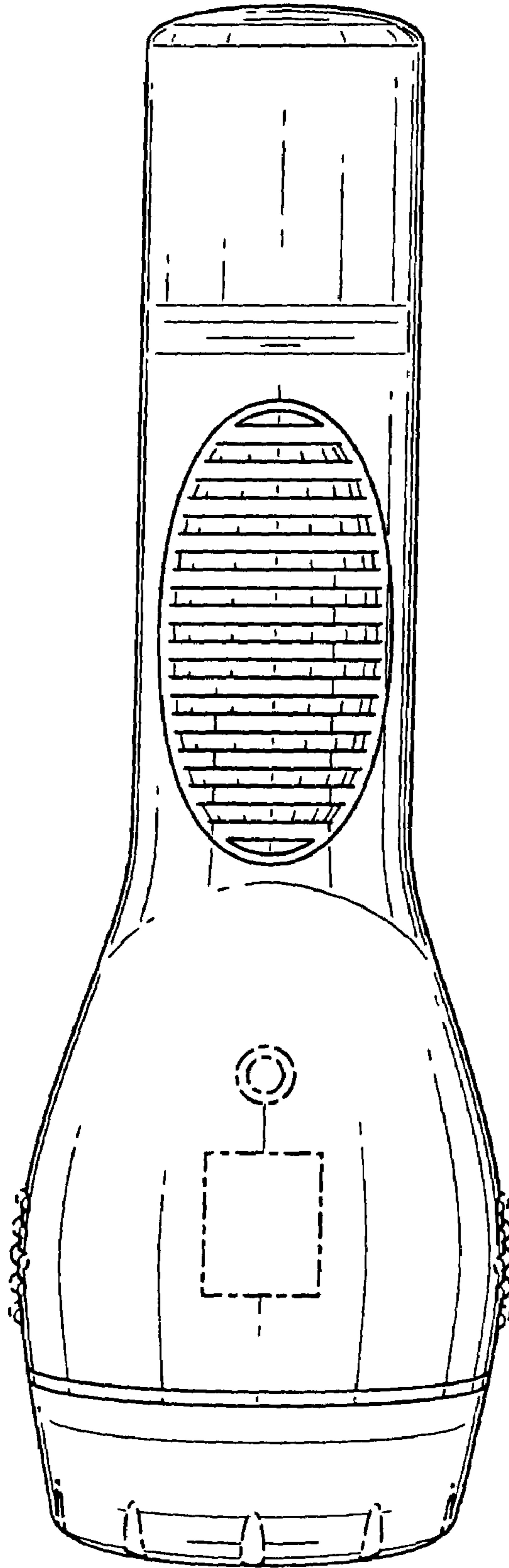


FIG. 6

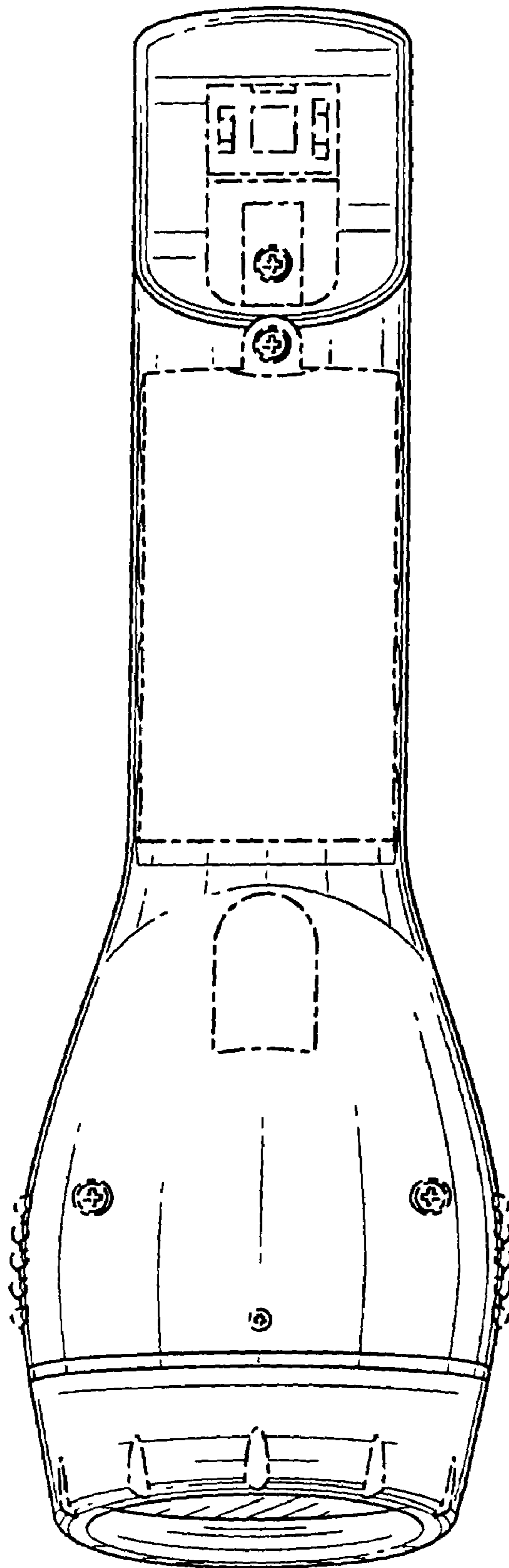


FIG. 7