



US00D559411S

(12) **United States Design Patent**
Foo

(10) **Patent No.:** **US D559,411 S**
(45) **Date of Patent:** **** Jan. 8, 2008**

(54) **FLUORESCENT TUBE**

D526,420 S * 8/2006 Foo D26/3
D528,675 S * 9/2006 Foo D26/3
D539,445 S * 3/2007 Foo D26/3

(75) Inventor: **Onn Fah Foo**, Kowloon (HK)

(73) Assignee: **Mass Technology (H.K.) Ltd.**,
Kowloon (HK)

(**) Term: **14 Years**

(21) Appl. No.: **29/281,608**

(22) Filed: **Jun. 27, 2007**

(30) **Foreign Application Priority Data**

Jan. 8, 2007 (CN) 2007 3 0000901

(51) **LOC (8) Cl.** **26-04**

(52) **U.S. Cl.** **D26/3**

(58) **Field of Classification Search** D26/1-4;
313/313, 315, 317, 318, 493; 315/52, 53,
315/56, 57, 58

See application file for complete search history.

(56) **References Cited**

U.S. PATENT DOCUMENTS

D497,440 S * 10/2004 Foo D26/3

* cited by examiner

Primary Examiner—Marcus A. Jackson

(57) **CLAIM**

The ornamental design for a fluorescent tube, as shown and described.

DESCRIPTION

FIG. 1 is a front view of a fluorescent tube showing our new design;

FIG. 2 is a rear view thereof;

FIG. 3 is a left side view thereof;

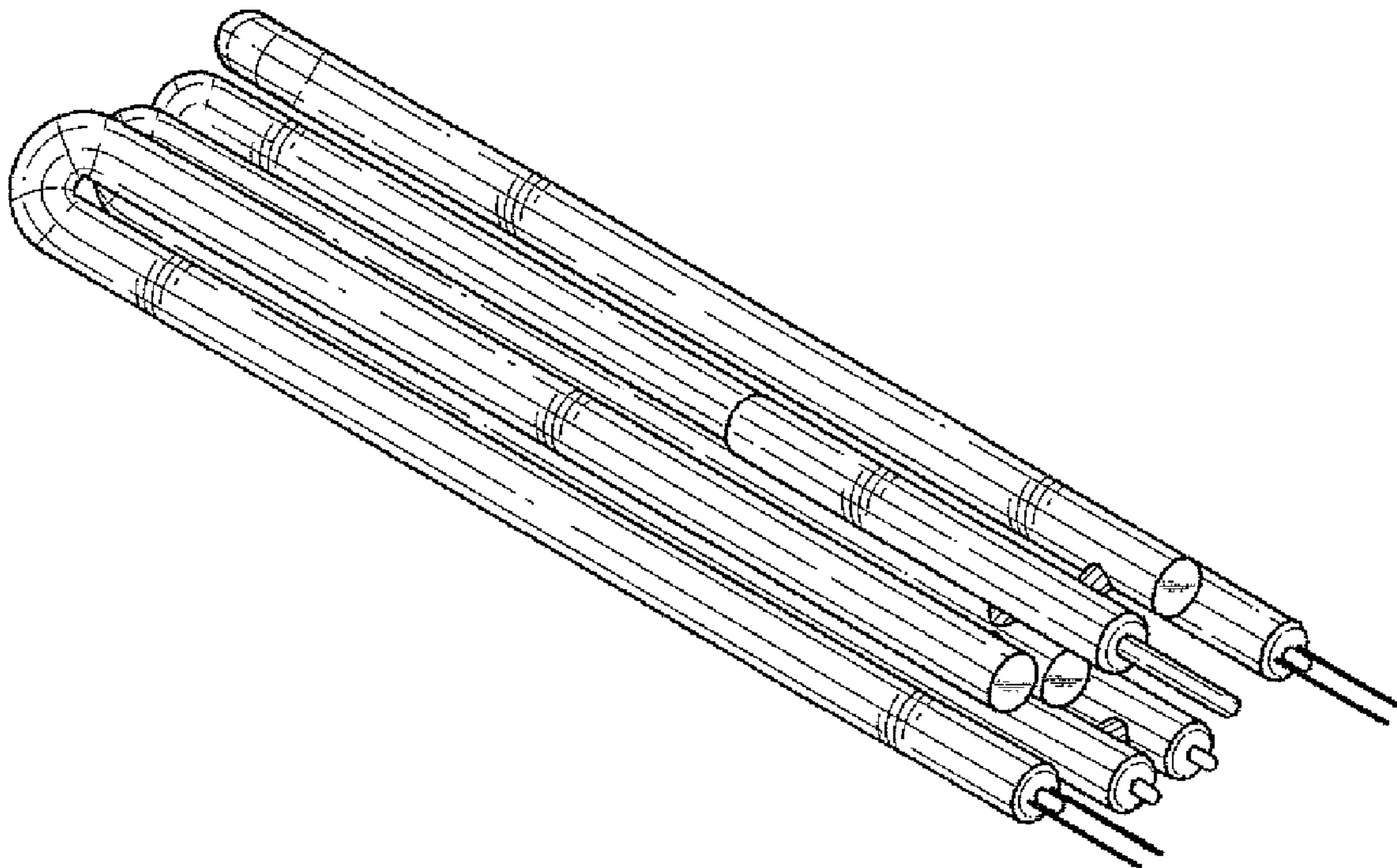
FIG. 4 is a right side view thereof;

FIG. 5 is a top view thereof;

FIG. 6 is a bottom view thereof; and,

FIG. 7 is a perspective view thereof.

1 Claim, 4 Drawing Sheets



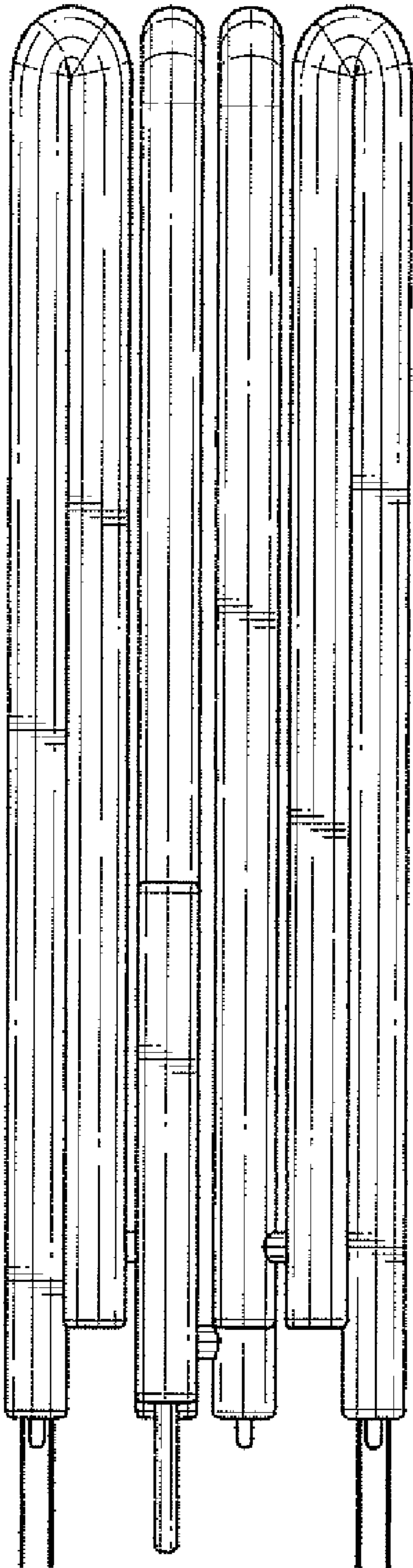


Fig. 1

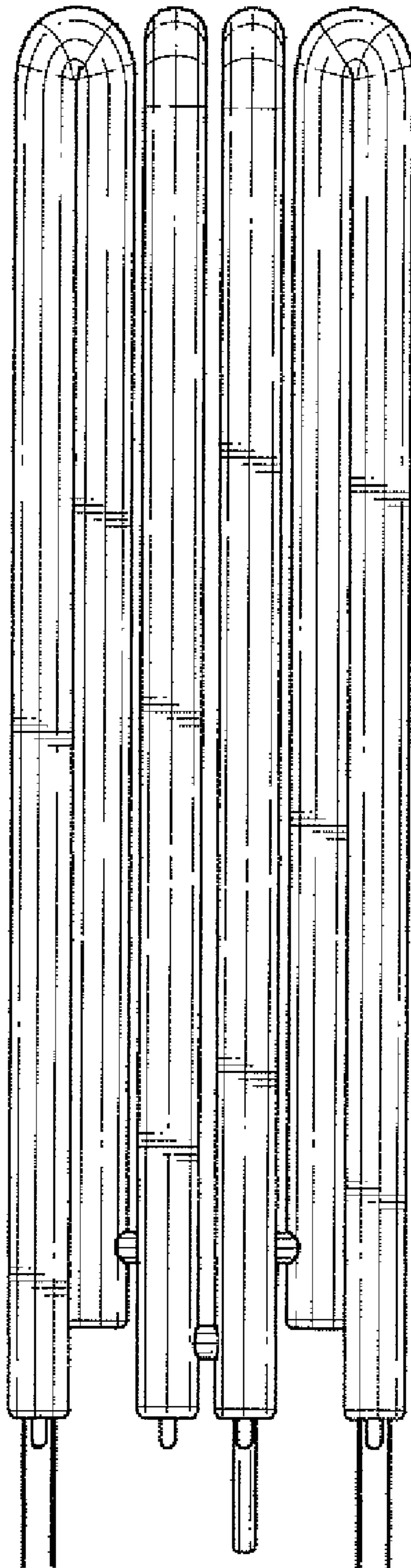


Fig. 2

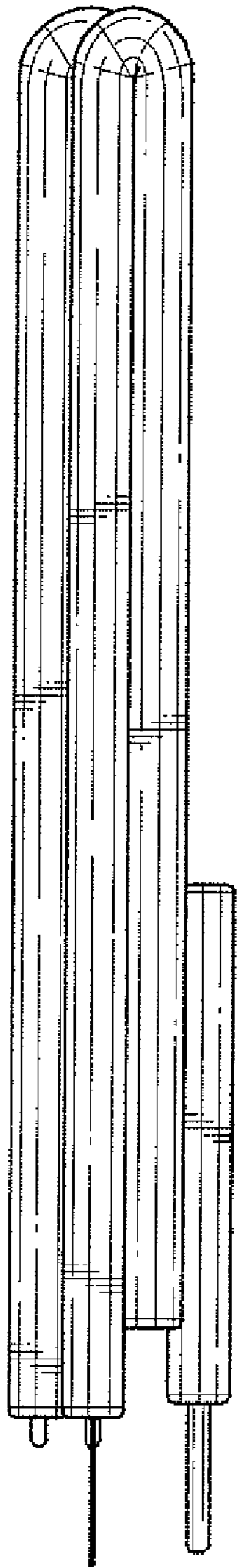


Fig. 3

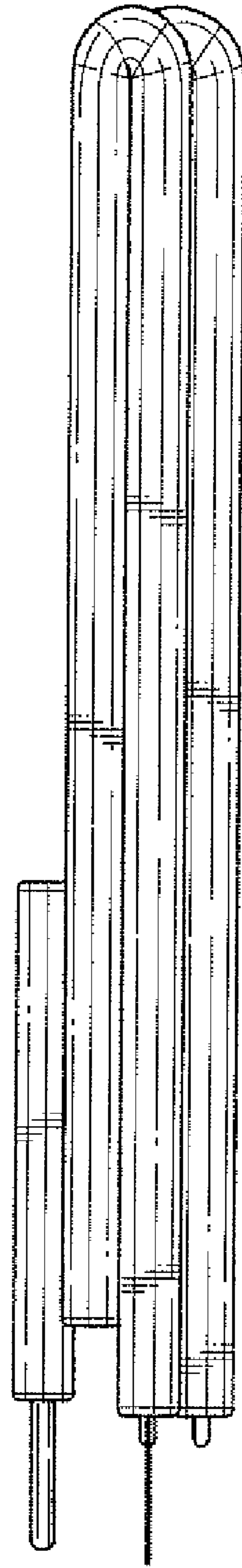


Fig. 4

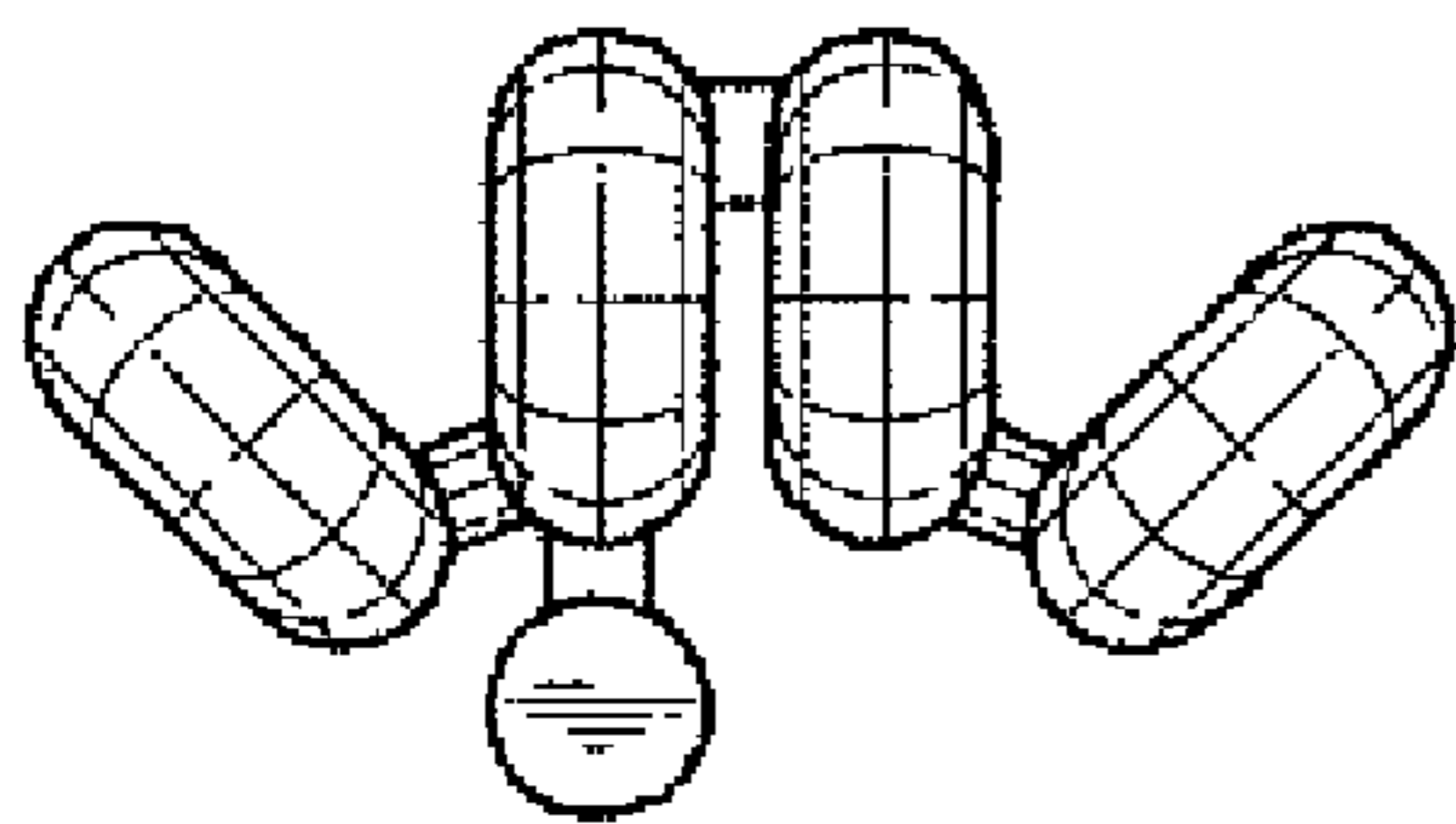


Fig. 5

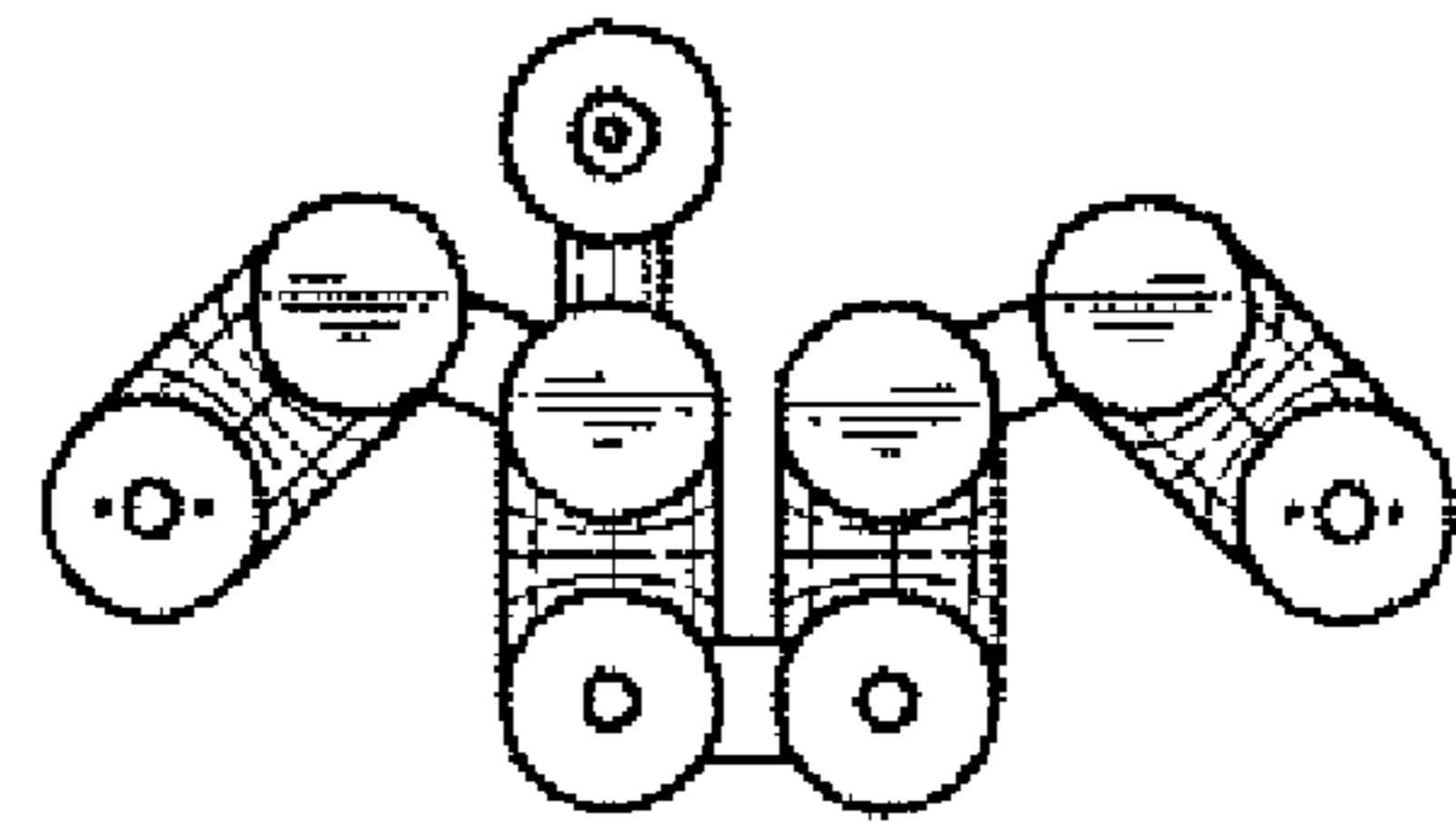


Fig. 6

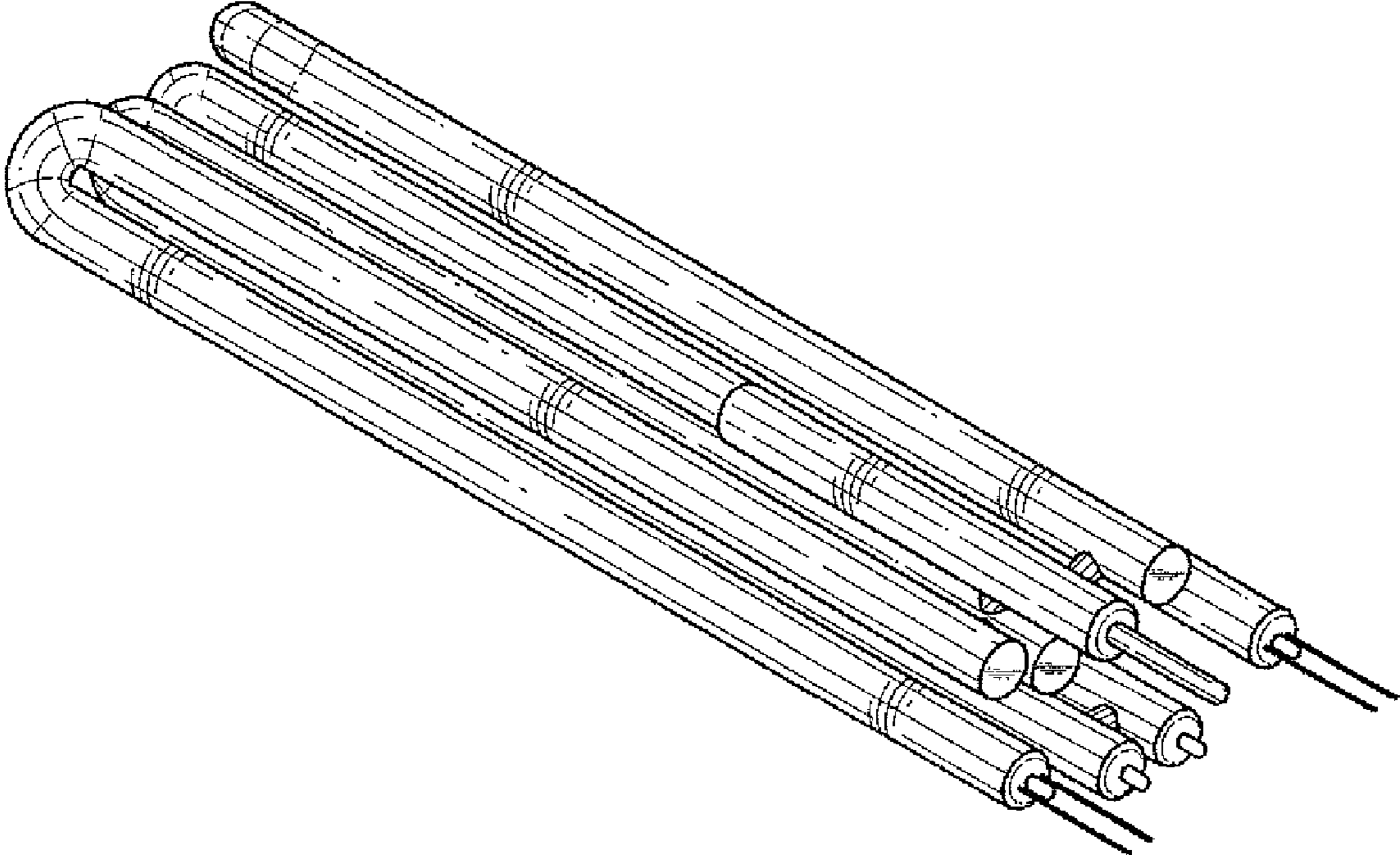


Fig. 7