



US00D559405S

(12) **United States Design Patent**
Tuncel

(10) **Patent No.:** **US D559,405 S**
(45) **Date of Patent:** **** Jan. 8, 2008**

(54) **CORD STANCHION DEVICE**

D492,039 S 6/2004 De Lorenzo
D492,421 S 6/2004 De Lorenzo
D492,422 S 6/2004 De Lorenzo

(75) Inventor: **Levent Tuncel**, Atlanta, GA (US)

* cited by examiner

(73) Assignee: **Levent, Incorporated**, Atlanta, GA (US)

Primary Examiner—Doris Clark
(74) *Attorney, Agent, or Firm*—George Ronald Reardon

(**) Term: **14 Years**

(57) **CLAIM**

(21) Appl. No.: **29/248,725**

I claim the ornamental design for a cord stanchion device, as shown and described.

(22) Filed: **Aug. 30, 2006**

(51) **LOC (8) Cl.** **25-02**

(52) **U.S. Cl.** **D25/51**

(58) **Field of Classification Search** D25/50,
D25/51; 49/49, 34; 40/607.12
See application file for complete search history.

DESCRIPTION

A portable barrier device used for crowd management, customer guidance, hospitality, safety and the like.

FIG. 1 is a perspective view of a cord stanchion device.

FIG. 2 is a front elevation view of a cord stanchion device.

FIG. 3 is a rear elevation view of a cord stanchion device.

FIG. 4 is a right side elevation view of a cord stanchion device.

FIG. 5 is a top plan view of a cord stanchion device.

FIG. 6 is a bottom plan view of a cord stanchion device; and,

FIG. 7 is an exploded perspective view of a cord stanchion device.

The broken lines are for illustrative purposes only and form no part of the claimed design.

(56) **References Cited**

U.S. PATENT DOCUMENTS

| | | | | |
|-----------|-----|---------|--------------------|--------|
| 1,832,271 | A | 11/1931 | Williams | |
| 3,977,654 | A | 8/1976 | Etherington et al. | |
| 4,844,420 | A | 7/1989 | Oster | |
| 5,050,846 | A | 9/1991 | Goodman et al. | |
| D343,690 | S | 1/1994 | Carey | |
| D347,284 | S * | 5/1994 | Brigden | D25/50 |
| 5,484,137 | A | 1/1996 | Dmith | |
| D374,086 | S * | 9/1996 | Kabout et al. | D25/50 |
| D438,312 | S * | 2/2001 | Loy et al. | D25/51 |
| 6,375,164 | B1 | 4/2002 | Siegler et al. | |
| D483,131 | S | 12/2003 | Tsai | |

1 Claim, 7 Drawing Sheets



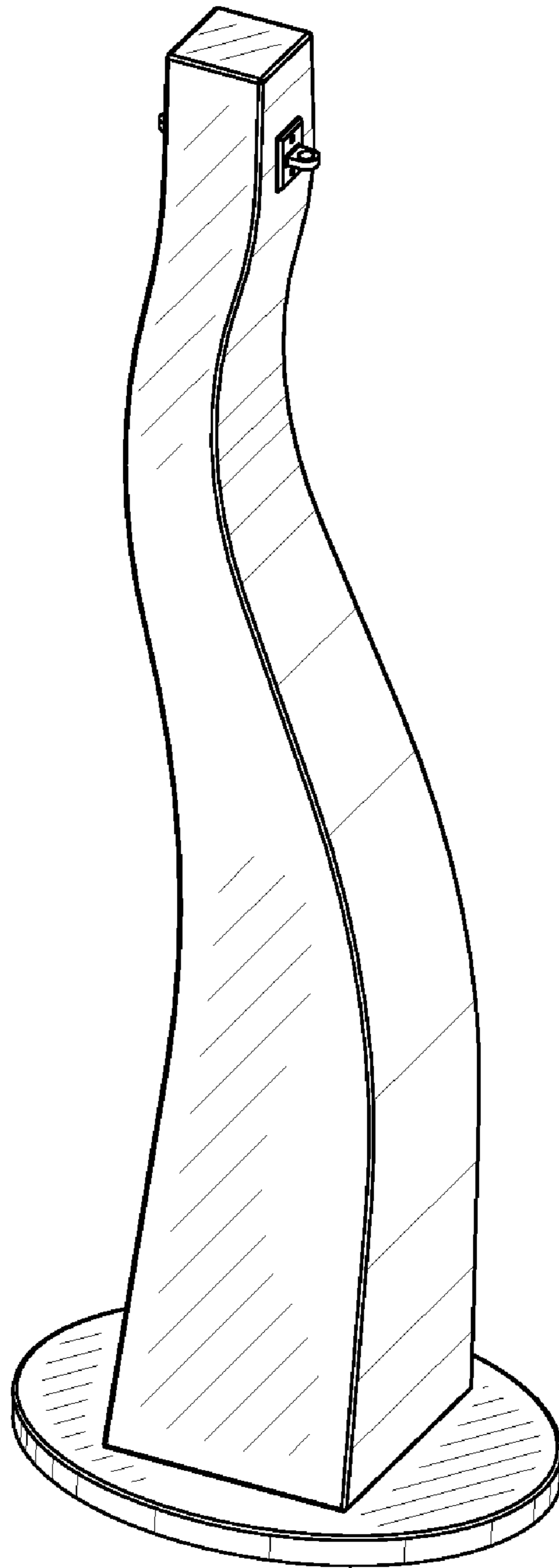


FIG. 1

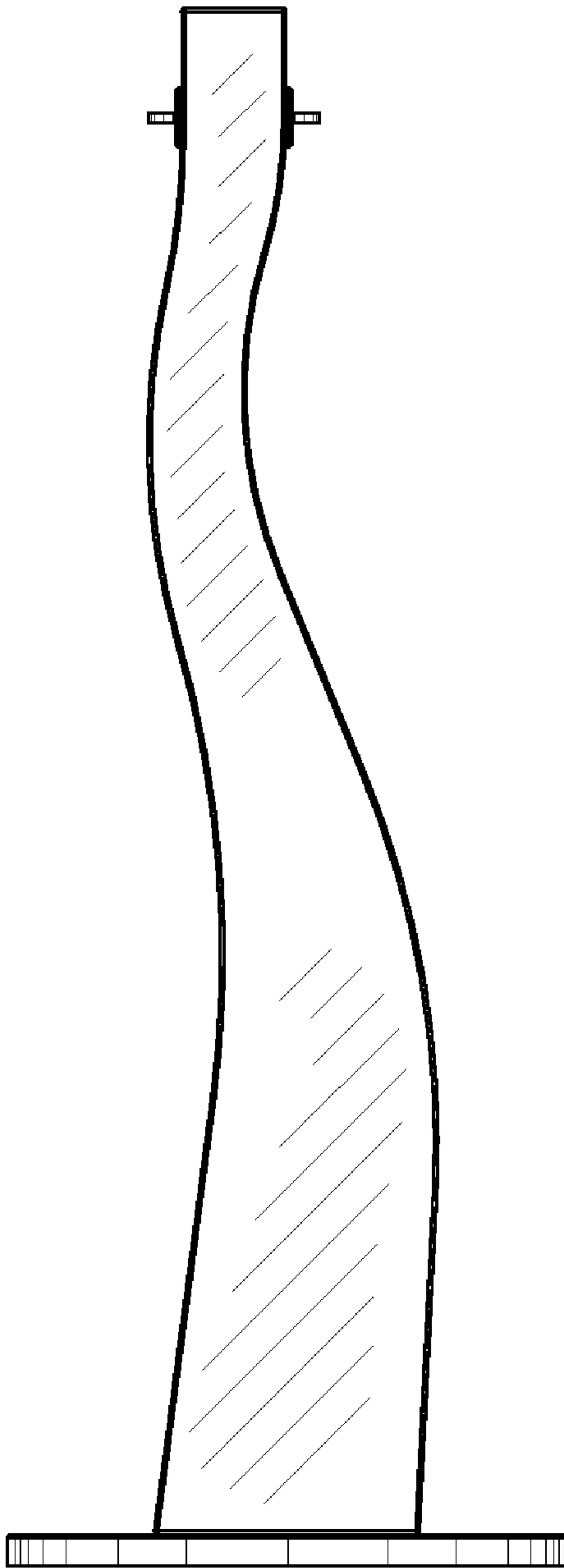


FIG. 2



FIG. 3

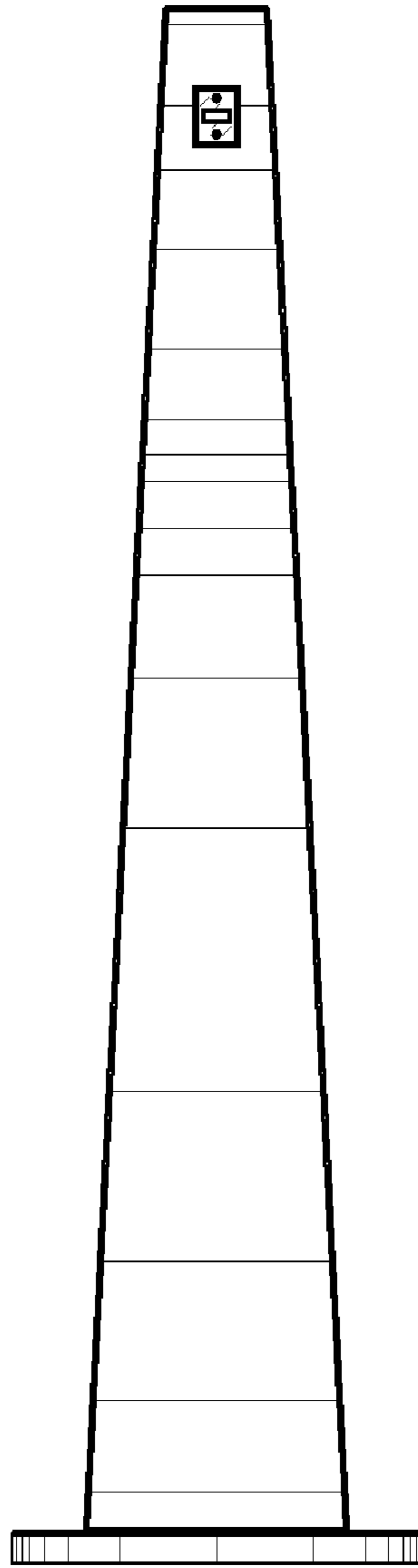


FIG. 4

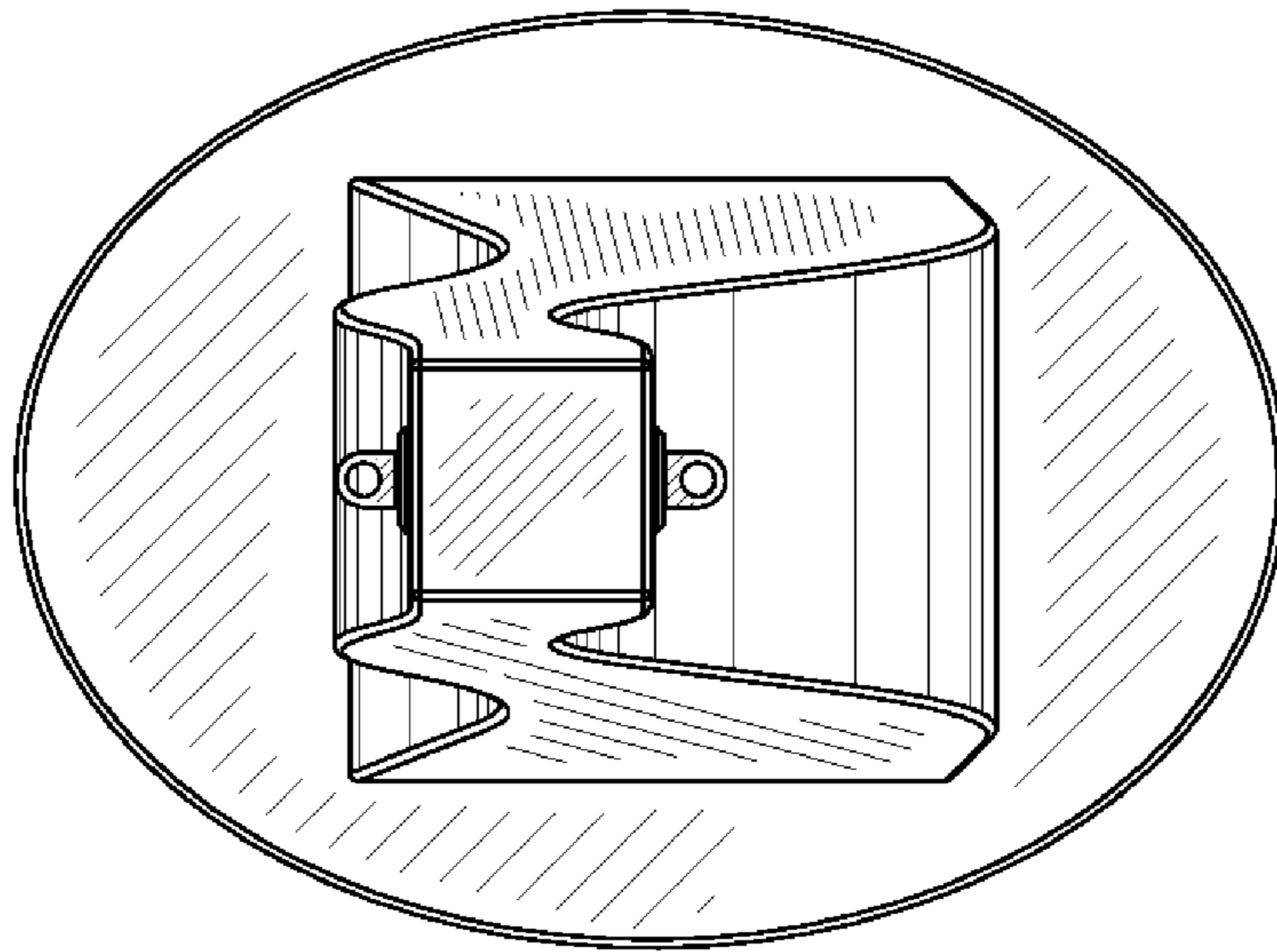


FIG. 5

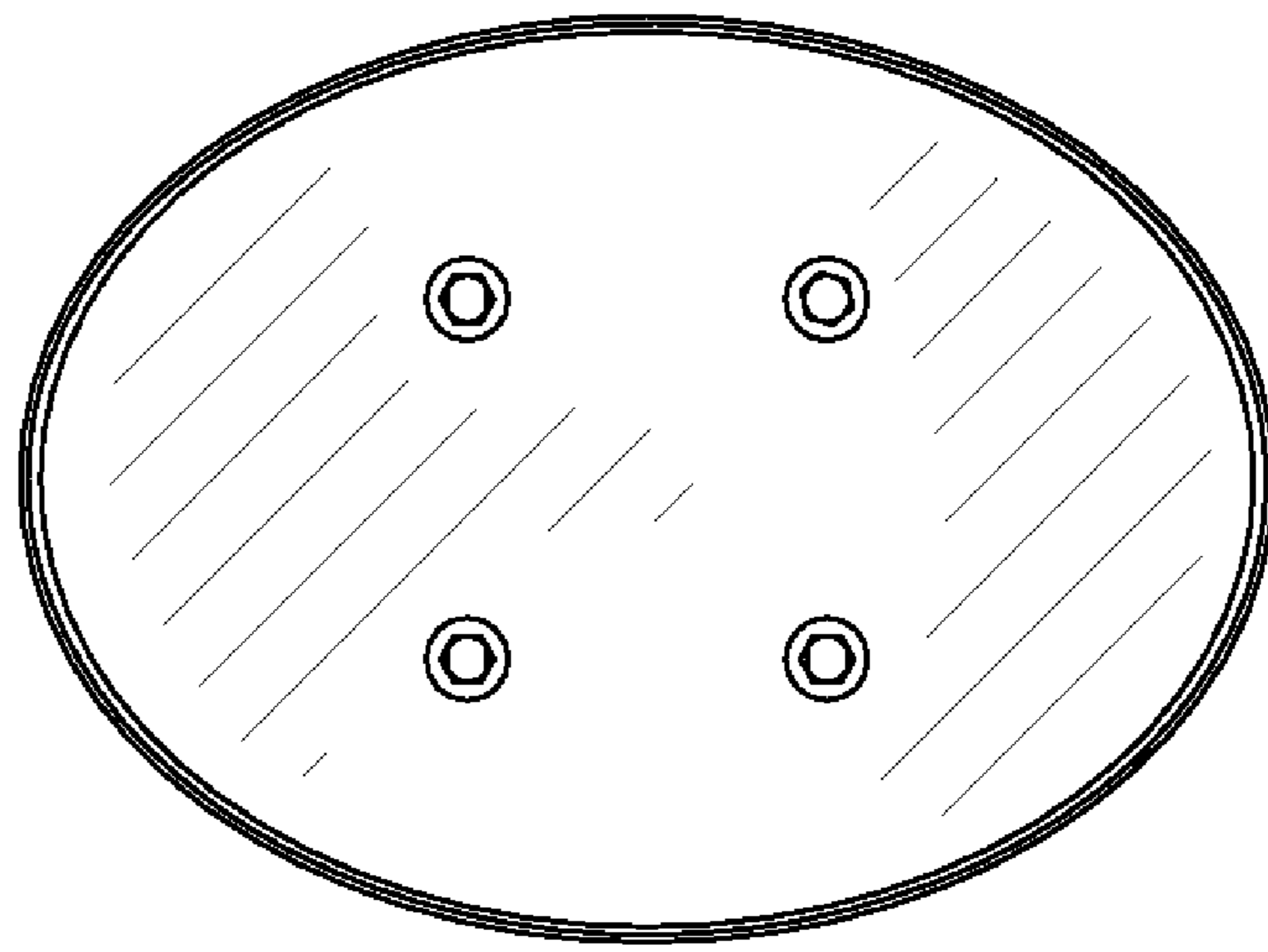


FIG. 6

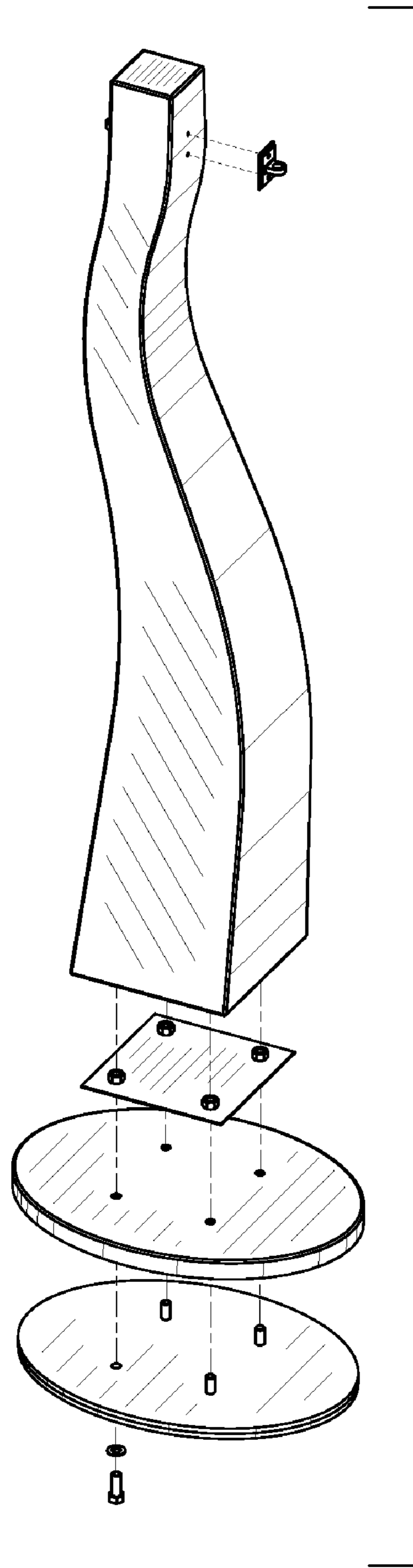


FIG. 7