



US00D559397S

(12) **United States Design Patent**
Eriksson et al.

(10) **Patent No.:** **US D559,397 S**
(45) **Date of Patent:** **** Jan. 8, 2008**

(54) **VIAL AND TUBING THEREFOR**

(75) Inventors: **Per Gunnar Eriksson**, Uppsala (SE);
Johan Ulin, Uppsala (SE); **Fredrik Ekdahl**, Stockholm (SE)

(73) Assignee: **Biotage AB**, Uppsala (SE)

(**) Term: **14 Years**

(21) Appl. No.: **29/272,933**

(22) Filed: **Feb. 22, 2007**

Related U.S. Application Data

(62) Division of application No. 29/183,804, filed on Jun. 18, 2003, now Pat. No. Des. 545,448.

(30) **Foreign Application Priority Data**

Dec. 18, 2002 (SE) 02-1816

(51) **LOC (8) Cl.** **24-02**

(52) **U.S. Cl.** **D24/224**

(58) **Field of Classification Search** D24/108,
D24/219-234; D9/504, 521; 422/99-103;
600/573; 604/403, 415, 416, 905

See application file for complete search history.

(56) **References Cited**

U.S. PATENT DOCUMENTS

- D259,440 S * 6/1981 Martin et al. D9/521
- 4,852,584 A * 8/1989 Selby 600/573
- D318,728 S * 7/1991 Braune D24/224
- D330,598 S * 10/1992 Bottner D9/504
- 5,554,128 A * 9/1996 Hedges 604/905
- D401,697 S * 11/1998 Cloonan et al. D24/224
- D425,618 S * 5/2000 Niermann et al. D24/216
- D431,299 S * 9/2000 Lammie D24/224

- 6,189,580 B1 * 2/2001 Thibault et al. 604/416
- D453,572 S * 2/2002 Livecchi D24/224
- 6,875,203 B1 * 4/2005 Fowles et al. 604/415
- 2004/0082899 A1 * 4/2004 Mathias et al. 604/403

* cited by examiner

Primary Examiner—Robert A. Delehanty

Assistant Examiner—Mark Cavanna

(74) *Attorney, Agent, or Firm*—Young & Thompson

(57) **CLAIM**

The ornamental design for vial and tubing, as shown and described.

DESCRIPTION

FIG. 1 is a perspective view of a vial and tubing showing our new design;

FIG. 2 is another perspective view from the end opposite that shown in FIG. 1;

FIG. 3 is a side elevational view thereof;

FIG. 4 is a side view opposite that shown in FIG. 3 thereof;

FIG. 5 is a top view thereof;

FIG. 6 is a bottom view thereof;

FIG. 7 is a perspective view of the tubing show separately for clarity of illustration;

FIG. 8 is a perspective view from the end opposite that shown in FIG. 7;

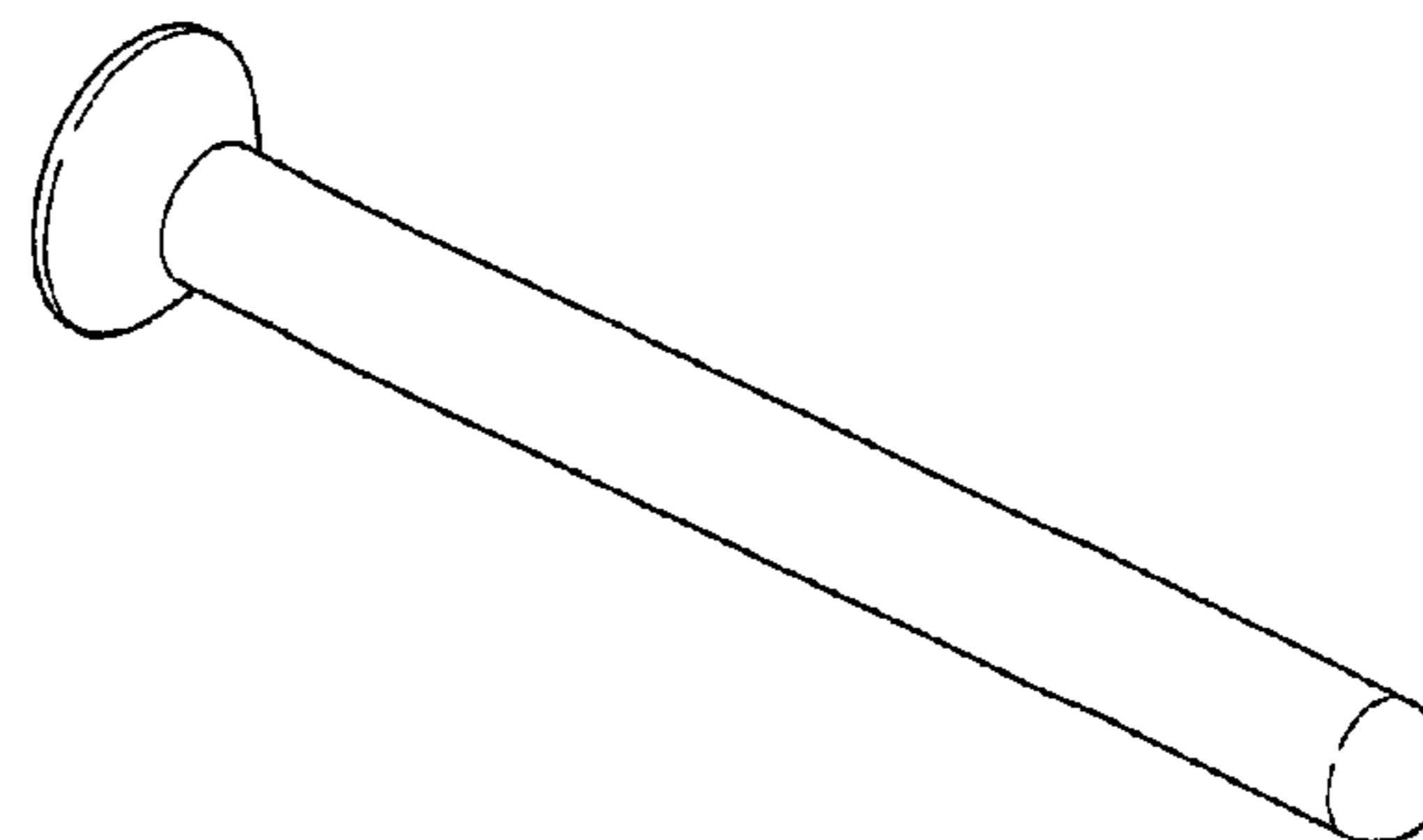
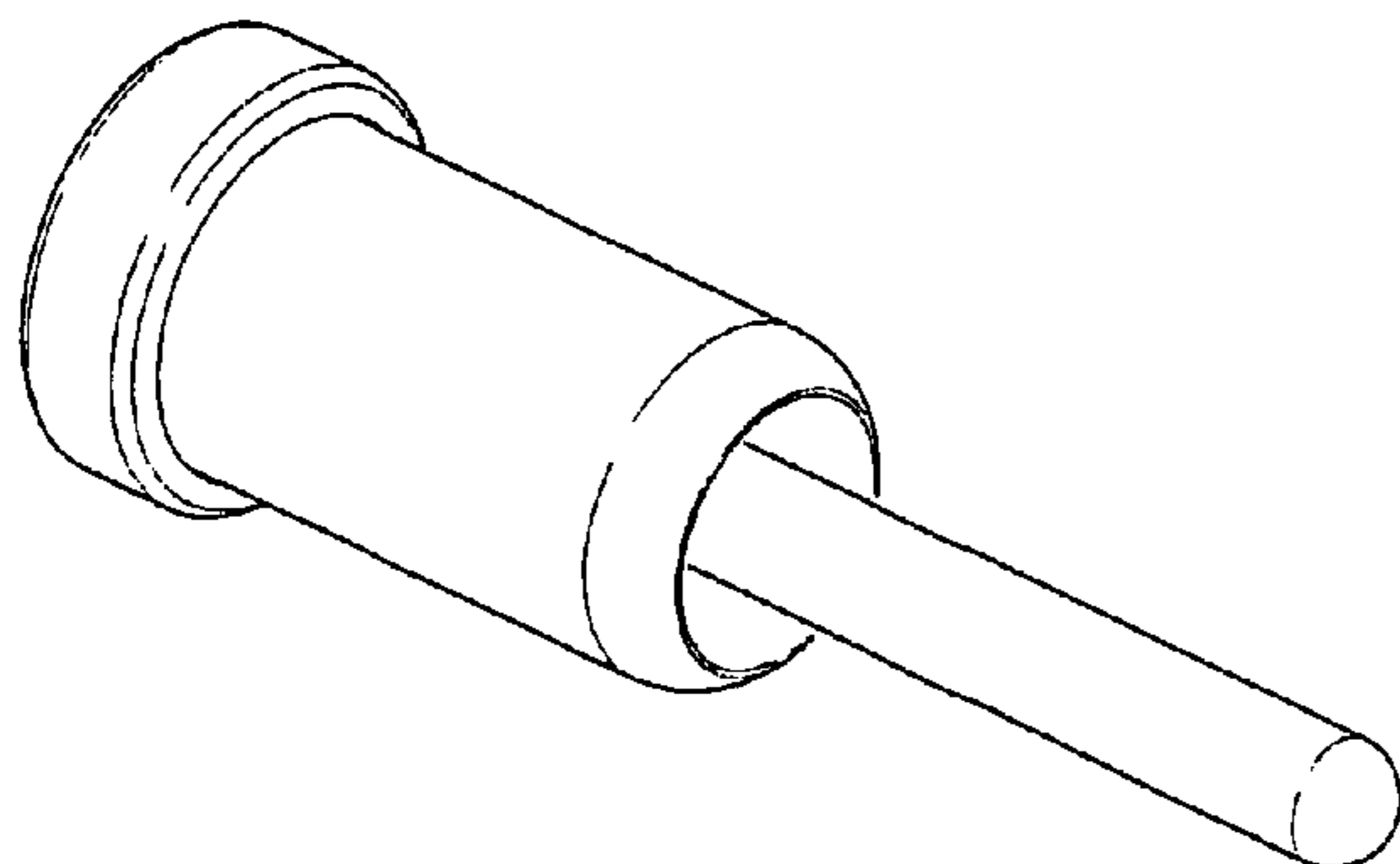
FIG. 9 is a side elevational view thereof;

FIG. 10 is a side view opposite that shown in FIG. 9 thereof;

FIG. 11 is a top view thereof; and,

FIG. 12 is a bottom view thereof.

1 Claim, 2 Drawing Sheets



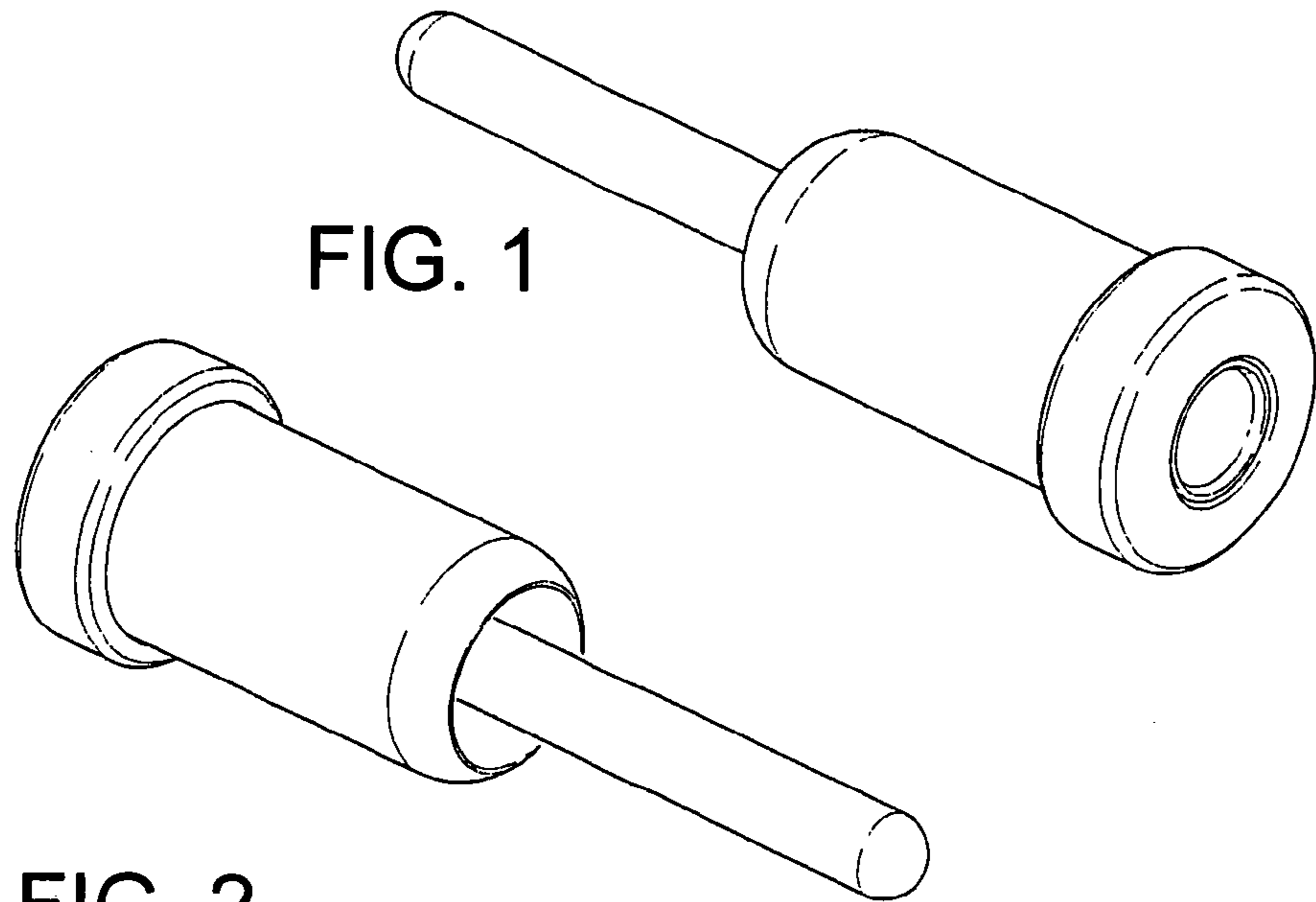


FIG. 2

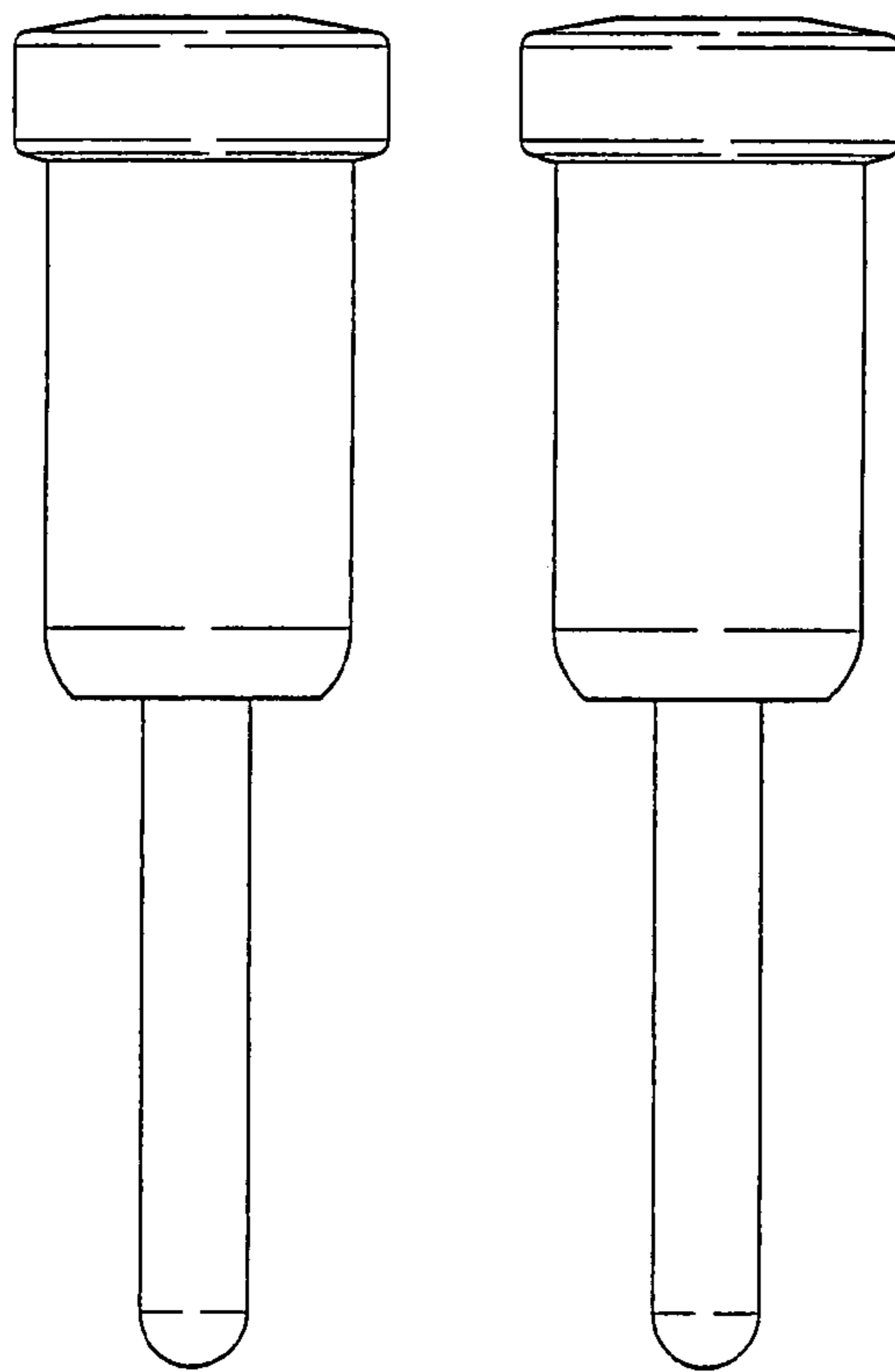


FIG. 3

FIG. 4

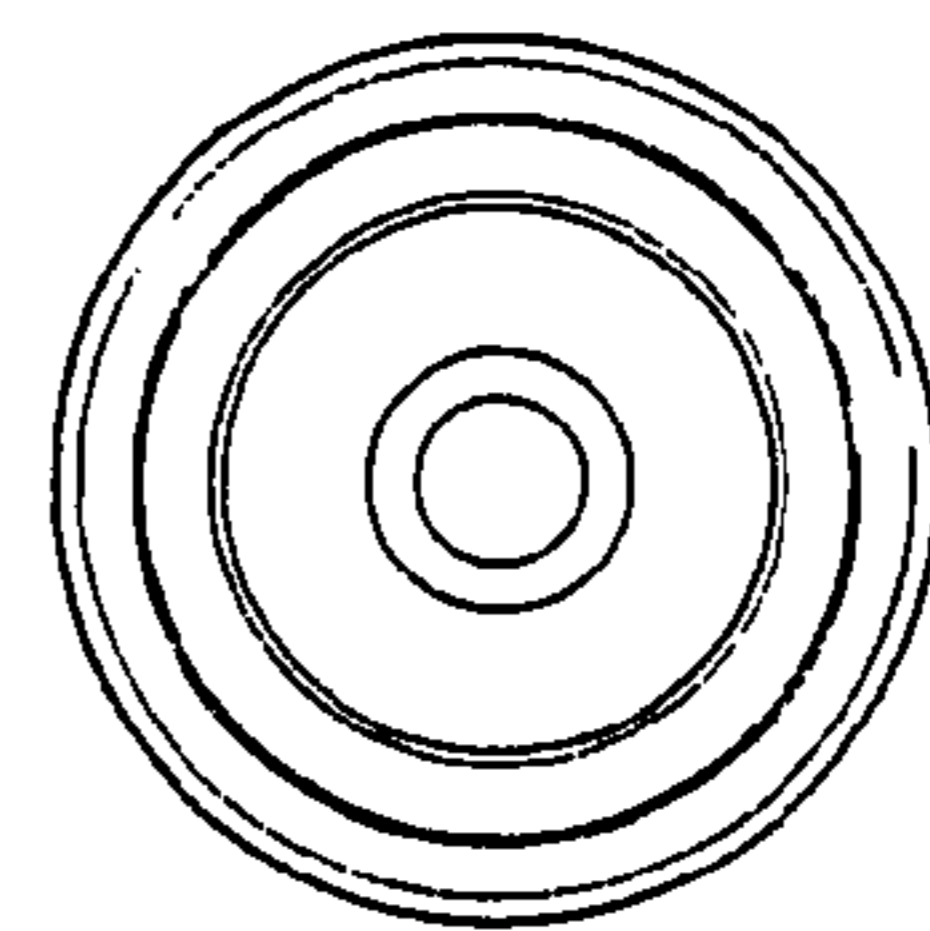


FIG. 5

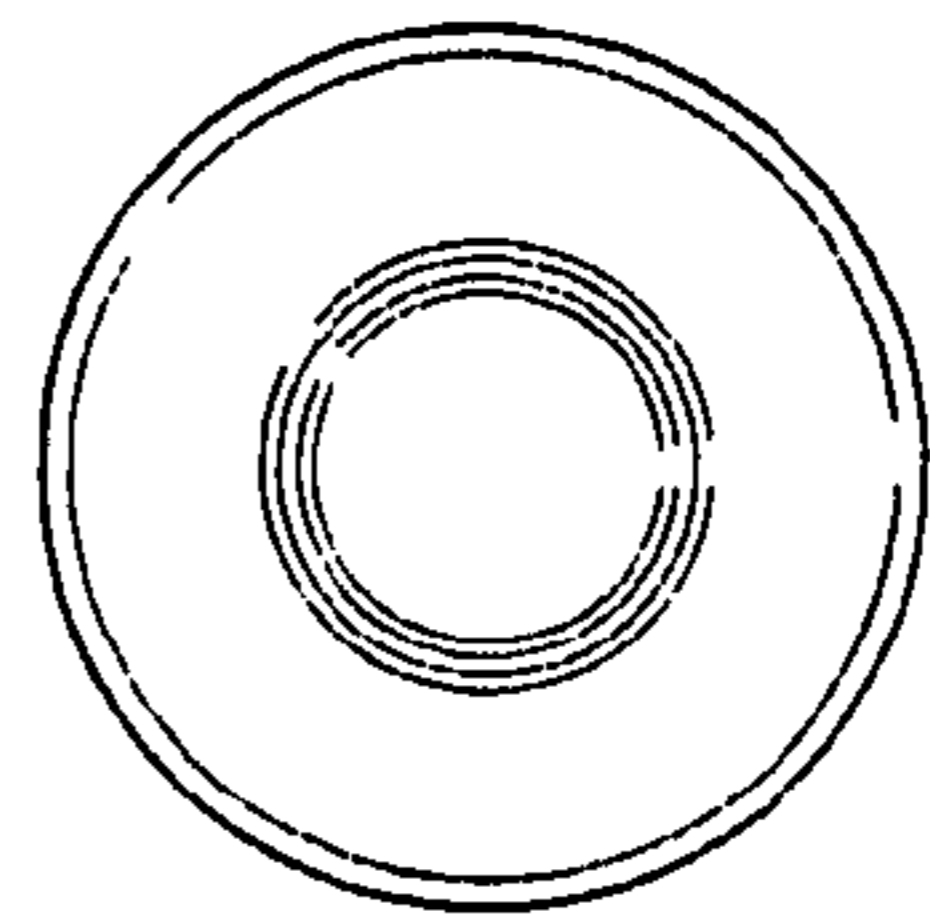


FIG. 6

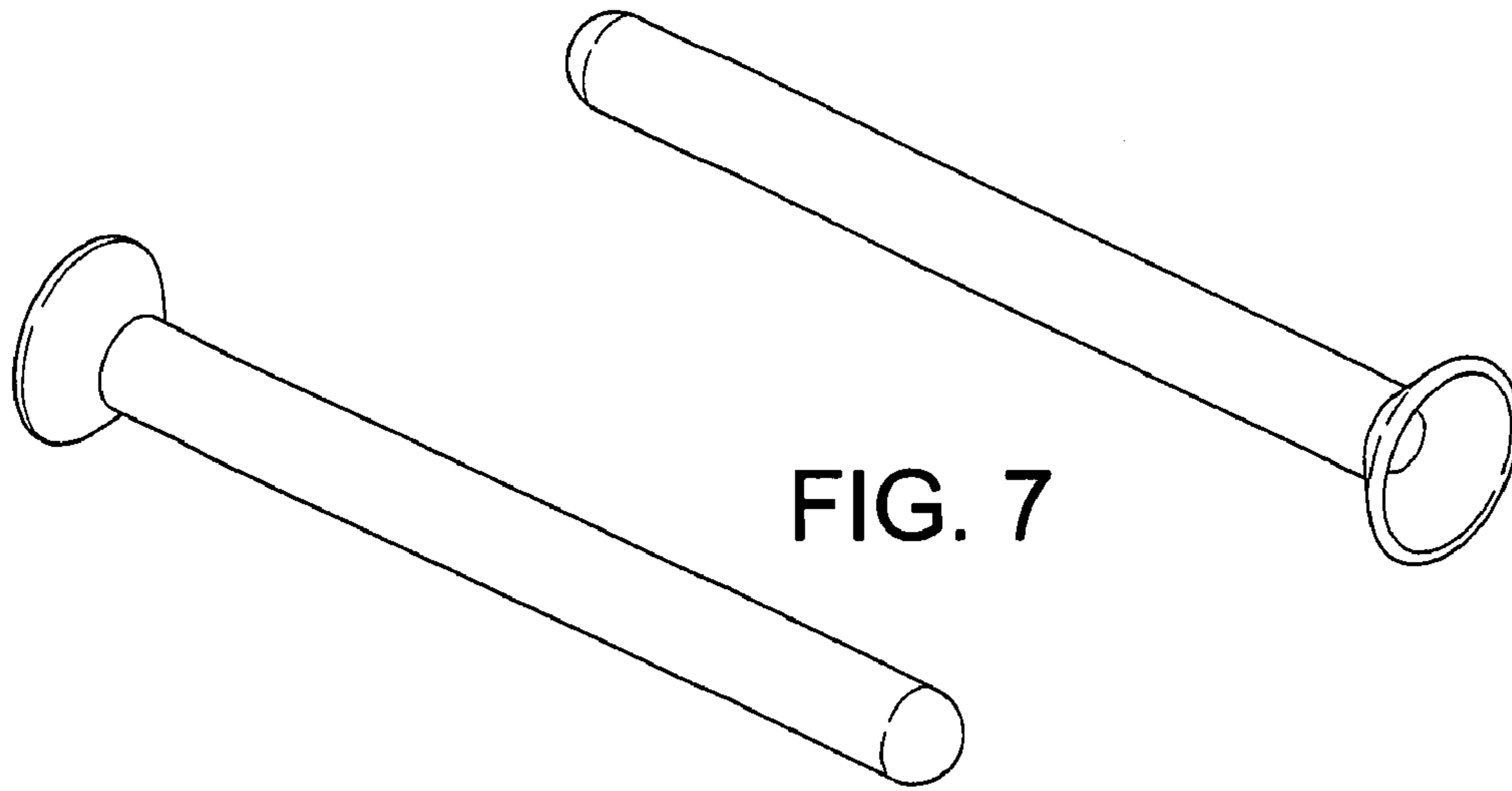


FIG. 7

FIG. 8

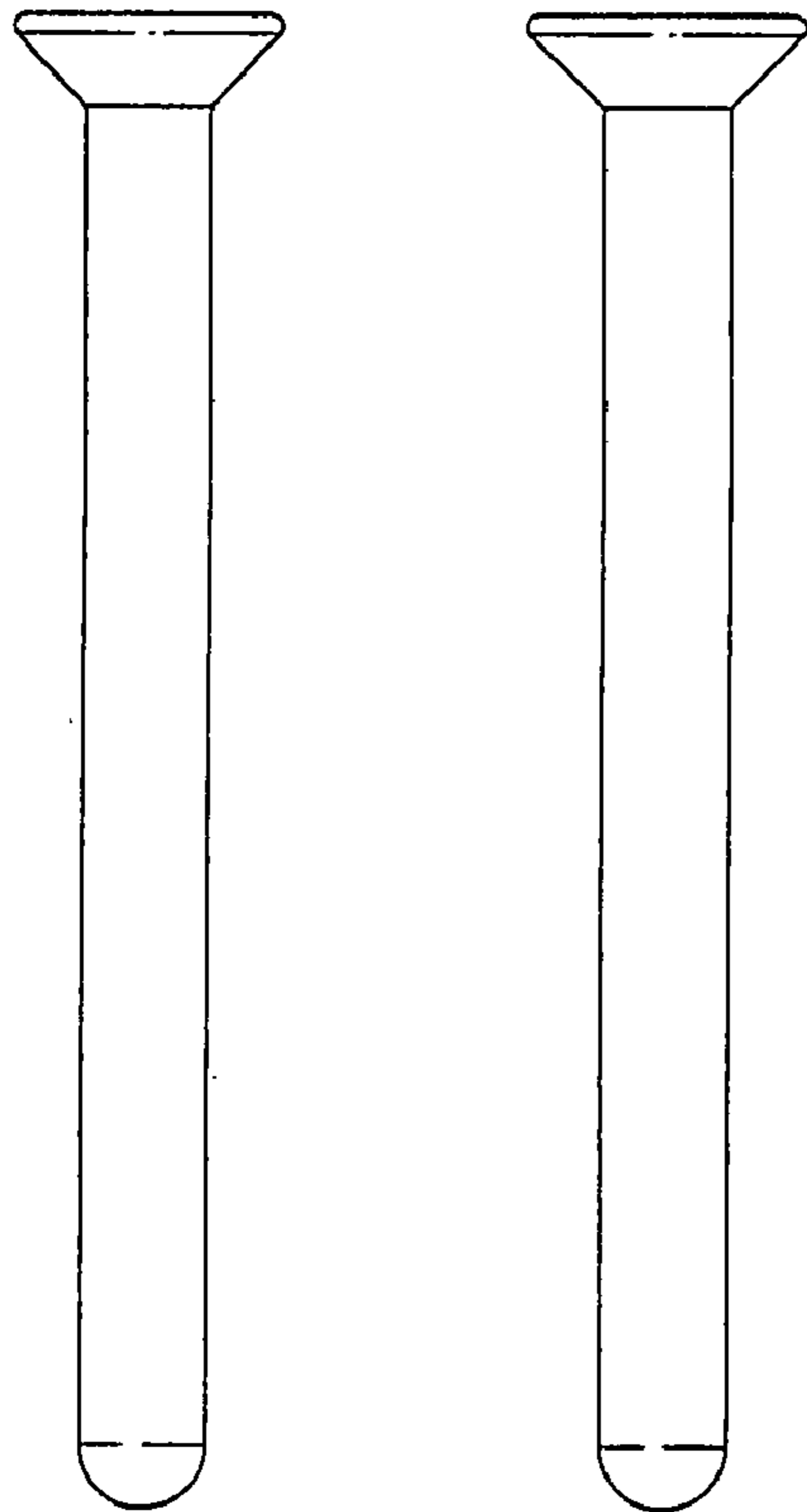


FIG. 9

FIG. 10

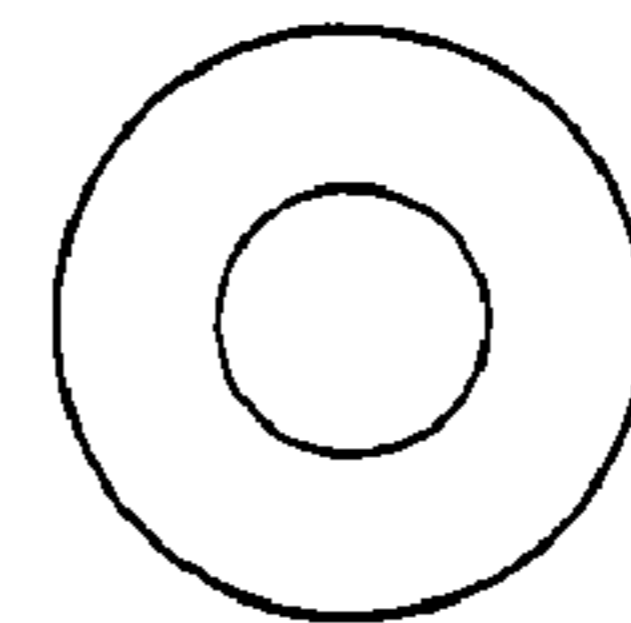


FIG. 11

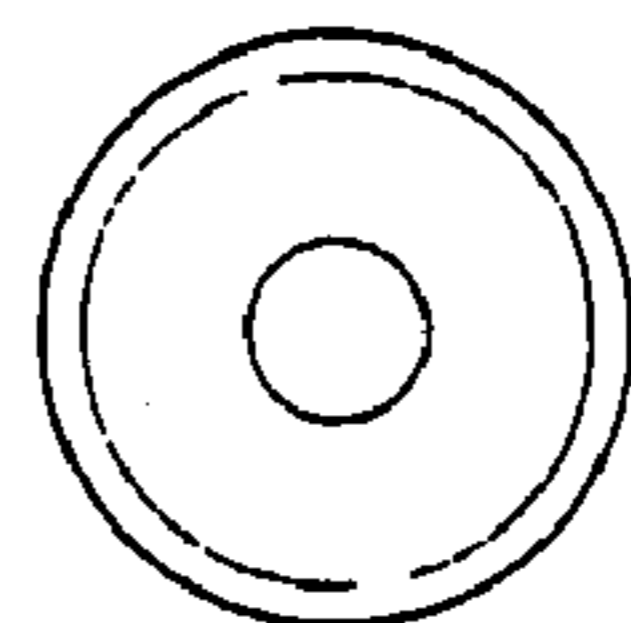


FIG. 12