



US00D559394S

(12) **United States Design Patent**  
**Ji**

(10) **Patent No.:** **US D559,394 S**

(45) **Date of Patent:** **\*\* Jan. 8, 2008**

(54) **MESSAGE ARTICLE**

D373,195 S \* 8/1996 Hoff ..... D24/211

D443,979 S \* 6/2001 Rijlaarsdam ..... D3/202

D456,693 S \* 5/2002 Kelleghan ..... D8/356

(76) Inventor: **Young-Sim Ji**, 1035-3, Jung-Dong,  
Wonmi-Gu, Bucheon-Si, Gyeonggi-Do  
(KR)

(\*\*) Term: **14 Years**

\* cited by examiner

*Primary Examiner*—Ian Simmons

*Assistant Examiner*—Melanie Levy

(74) *Attorney, Agent, or Firm*—IPLA P.A.; James E. Bame

(21) Appl. No.: **29/276,246**

(22) Filed: **Jan. 19, 2007**

(57) **CLAIM**

(30) **Foreign Application Priority Data**

Jul. 24, 2006 (KR) ..... 30-2006-0031028

The ornamental design for a massage article, as shown and described.

(51) **LOC (8) Cl.** ..... **28-03**

(52) **U.S. Cl.** ..... **D24/214**

(58) **Field of Classification Search** ..... D24/200,  
D24/211, 214, 215; 601/134–138, 131, 118,  
601/124

See application file for complete search history.

**DESCRIPTION**

FIG. 1 is a perspective view of a massage article showing my new design;

FIG. 2 is a top plan view thereof; and,

FIG. 3 is a side elevation view thereof, the opposite side being a mirror image.

(56) **References Cited**

**U.S. PATENT DOCUMENTS**

D346,444 S \* 4/1994 Wade ..... D24/130

**1 Claim, 2 Drawing Sheets**

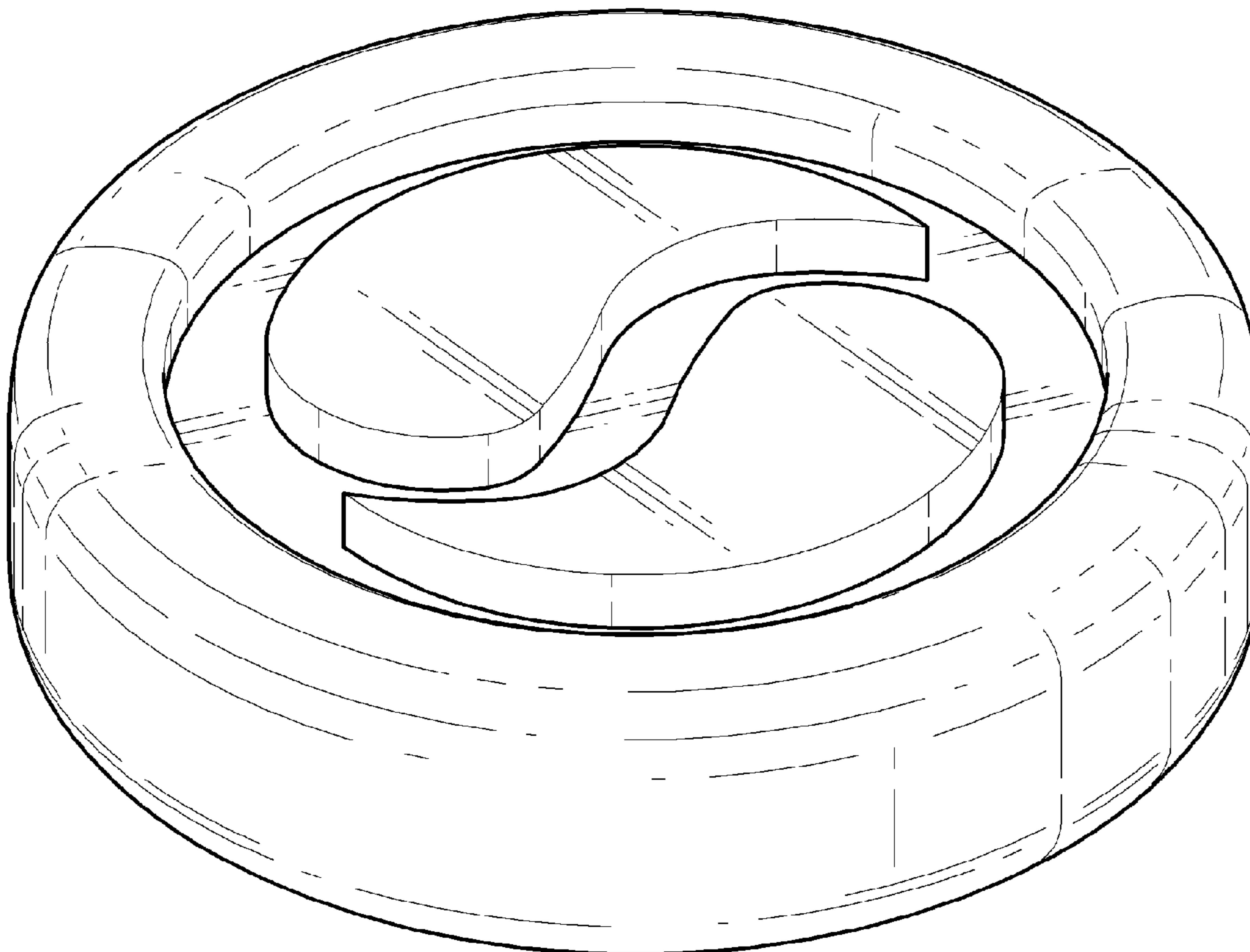


FIG. 1

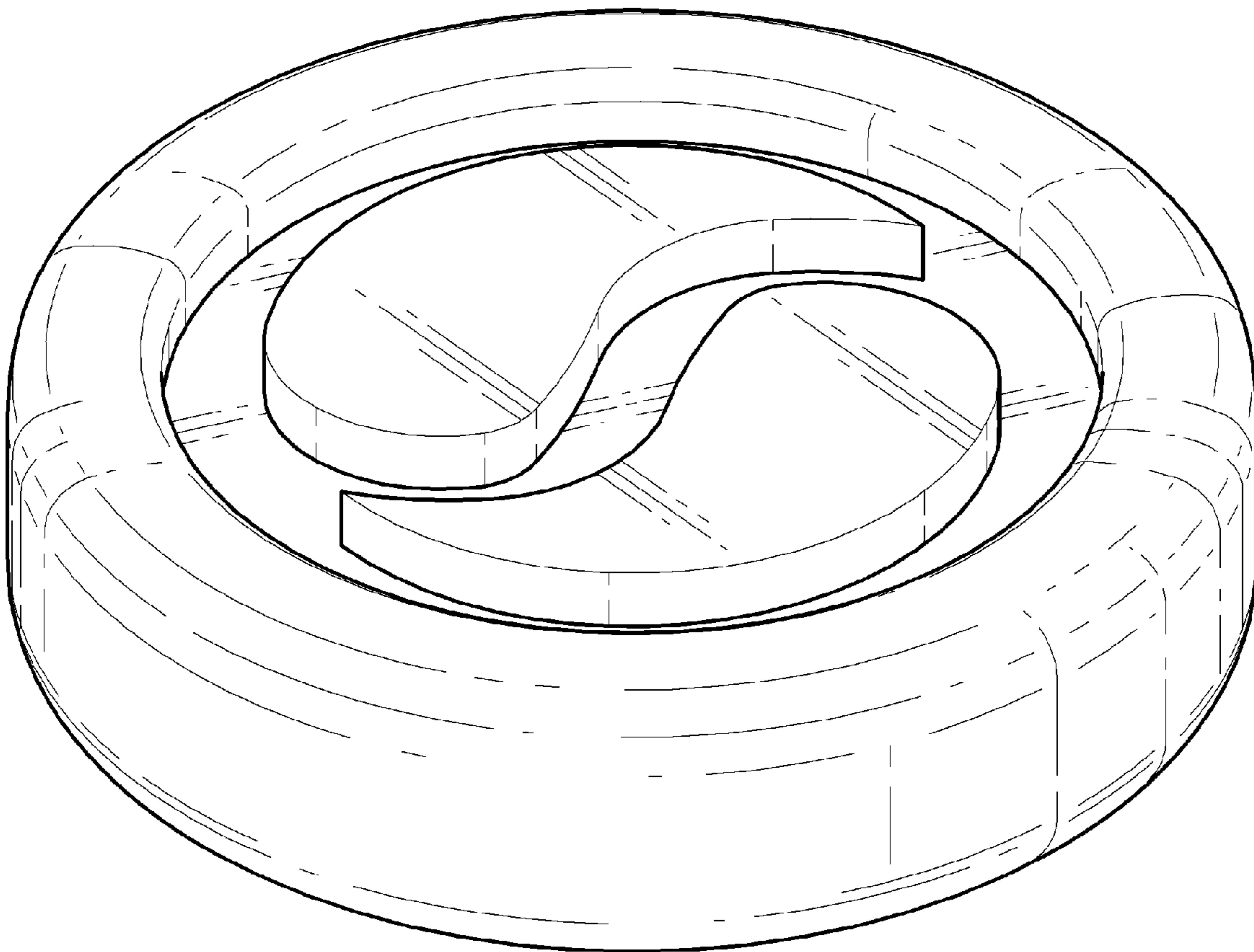


FIG. 2

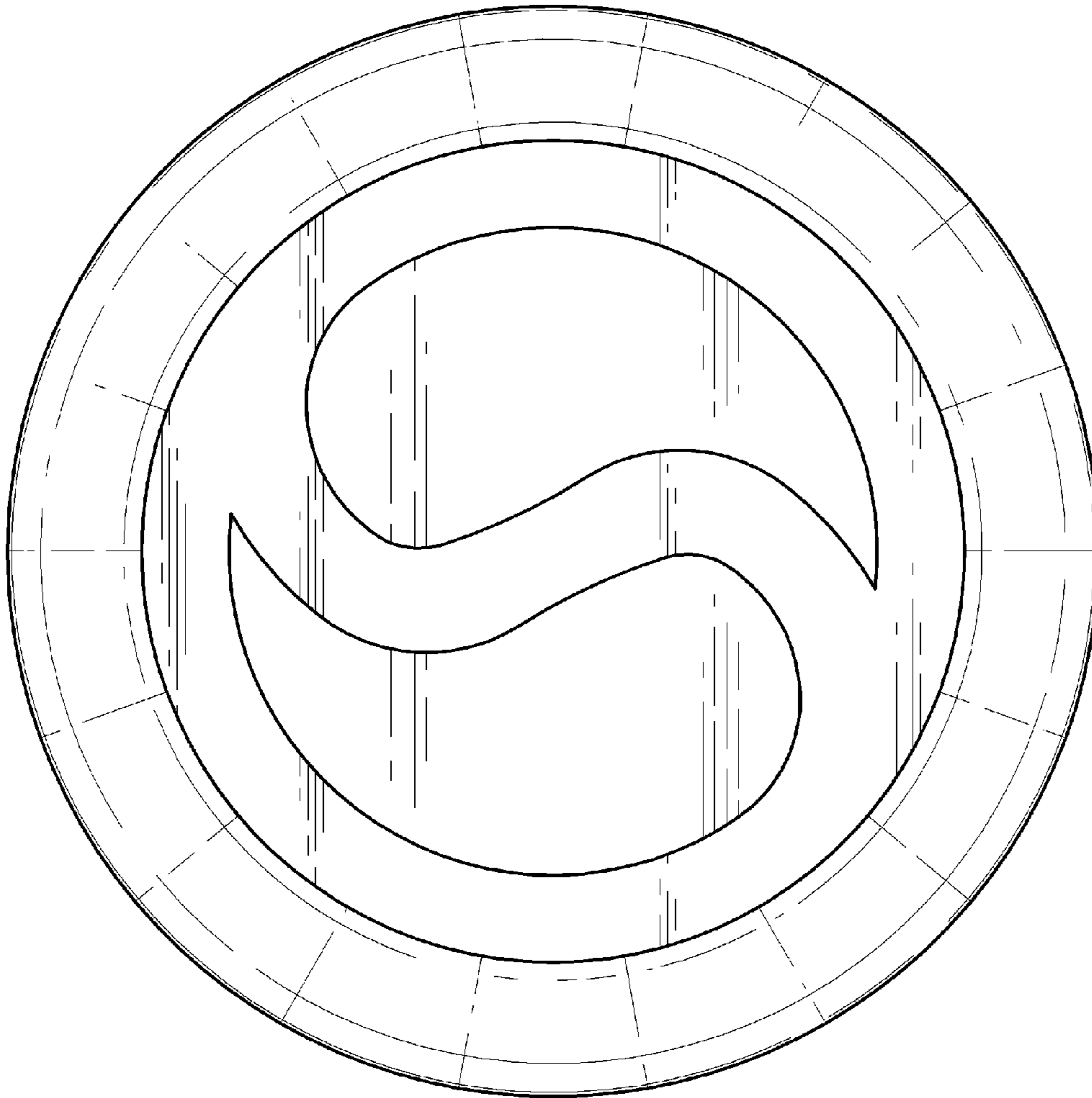


FIG. 3

