



US00D559392S

(12) **United States Design Patent**
Jenifer

(10) **Patent No.:** **US D559,392 S**
(45) **Date of Patent:** **** Jan. 8, 2008**

(54) **COLLAPSIBLE BABY BOTTLE**

(76) Inventor: **Neshea Jenifer**, 6771 Lantana Dr.,
Bryan Road, MD (US) 20616

(**) Term: **14 Years**

(21) Appl. No.: **29/258,972**

(22) Filed: **Apr. 27, 2006**

(51) **LOC (8) Cl.** **07-01**

(52) **U.S. Cl.** **D24/197**

(58) **Field of Classification Search** D24/193-99,
D24/215; D7/393-4; D9/436, 456, 526;
215/11.1-11.6, 387, 392; 248/102-7
See application file for complete search history.

(56) **References Cited**

U.S. PATENT DOCUMENTS

D12,943	S	*	5/1882	Sanbom	D9/500
556,859	A	*	3/1896	Myrick	215/11.1
761,775	A	*	6/1904	Lewis	215/11.1
979,607	A	*	12/1910	Van Cleave	215/11.5
D89,252	S	*	2/1933	Block	D24/197
1,976,450	A	*	10/1934	Lowe et al.	215/11.5
D137,033	S	*	1/1944	Stough	D9/558
D137,510	S	*	3/1944	Eisele	D24/197
2,387,573	A	*	10/1945	Ganson	215/11.5
2,604,222	A	*	7/1952	Peltz et al.	215/11.3
2,831,596	A	*	4/1958	Eyles	215/11.1
3,049,258	A	*	8/1962	Fullum	215/11.1
3,097,757	A	*	7/1963	Searer	215/11.1
D216,248	S	*	12/1969	Hill	D9/529
3,661,288	A	*	5/1972	Noll	215/11.1
4,678,092	A		7/1987	Rane		

D301,168	S	*	5/1989	Simmons	D24/197
5,069,351	A	*	12/1991	Gunderson et al.	215/11.1
5,183,229	A	*	2/1993	Duggan	218/102
D344,340	S	*	2/1994	Allegre	D24/197
D373,423	S	*	9/1996	Mazade et al.	D24/198
5,579,935	A		12/1996	Atkin et al.		
D383,847	S	*	9/1997	Skinner	D24/197
D417,004	S	*	11/1999	Lyons	D24/197
6,138,847	A		10/2000	Johnson		
D443,066	S	*	5/2001	Sundberg	D24/197
D504,952	S	*	5/2005	Renz	D24/197

* cited by examiner

Primary Examiner—Stella M. Reid
Assistant Examiner—Susan E Krakower

(57) **CLAIM**

The ornamental design for a collapsible baby bottle, as shown and described.

DESCRIPTION

FIG. 1 is an exploded front elevational view of a collapsible baby bottle showing my new design;
FIG. 2 is a left side elevational view thereof, with the nipple removed;
FIG. 3 is an exploded bottom plan view thereof;
FIG. 4 is an exploded top plan view thereof;
FIG. 5 is an exploded rear elevational view thereof; and,
FIG. 6 is a right side elevational view thereof, with the nipple removed.

1 Claim, 2 Drawing Sheets

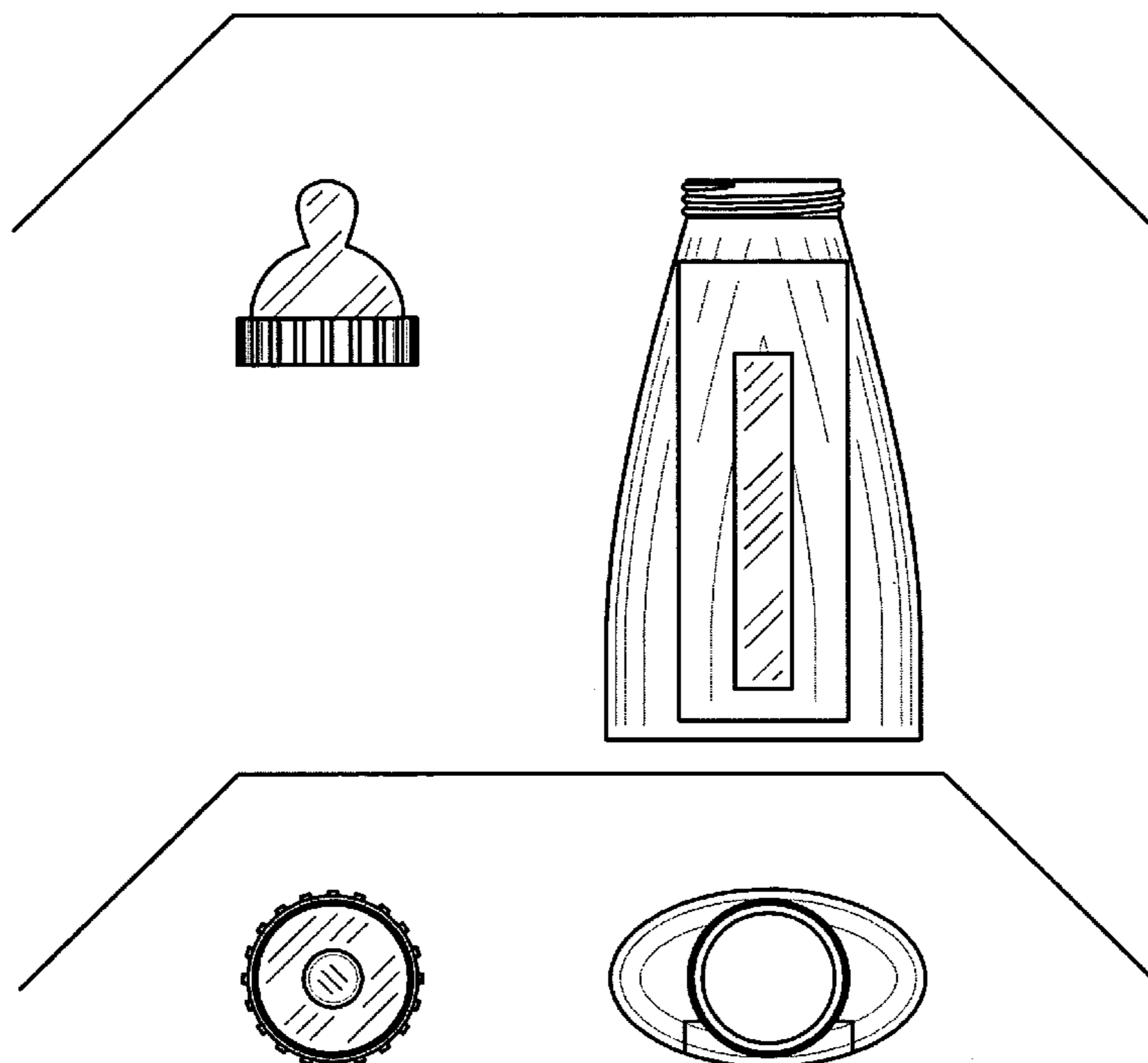


FIG. 2

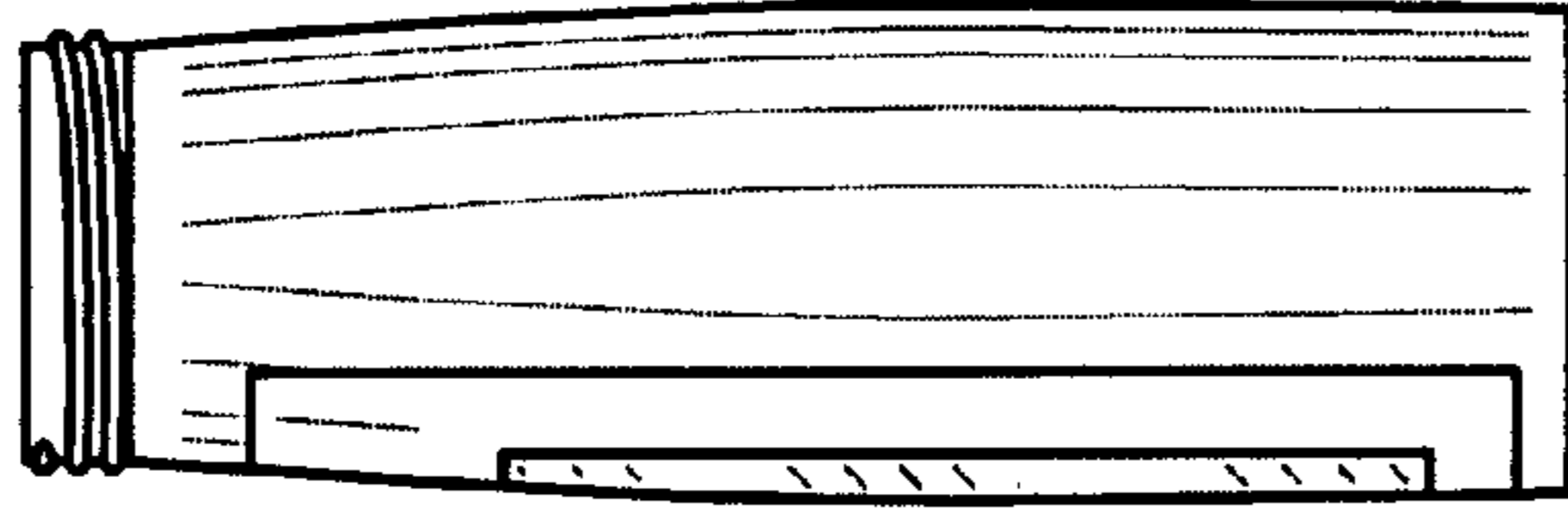


FIG. 1

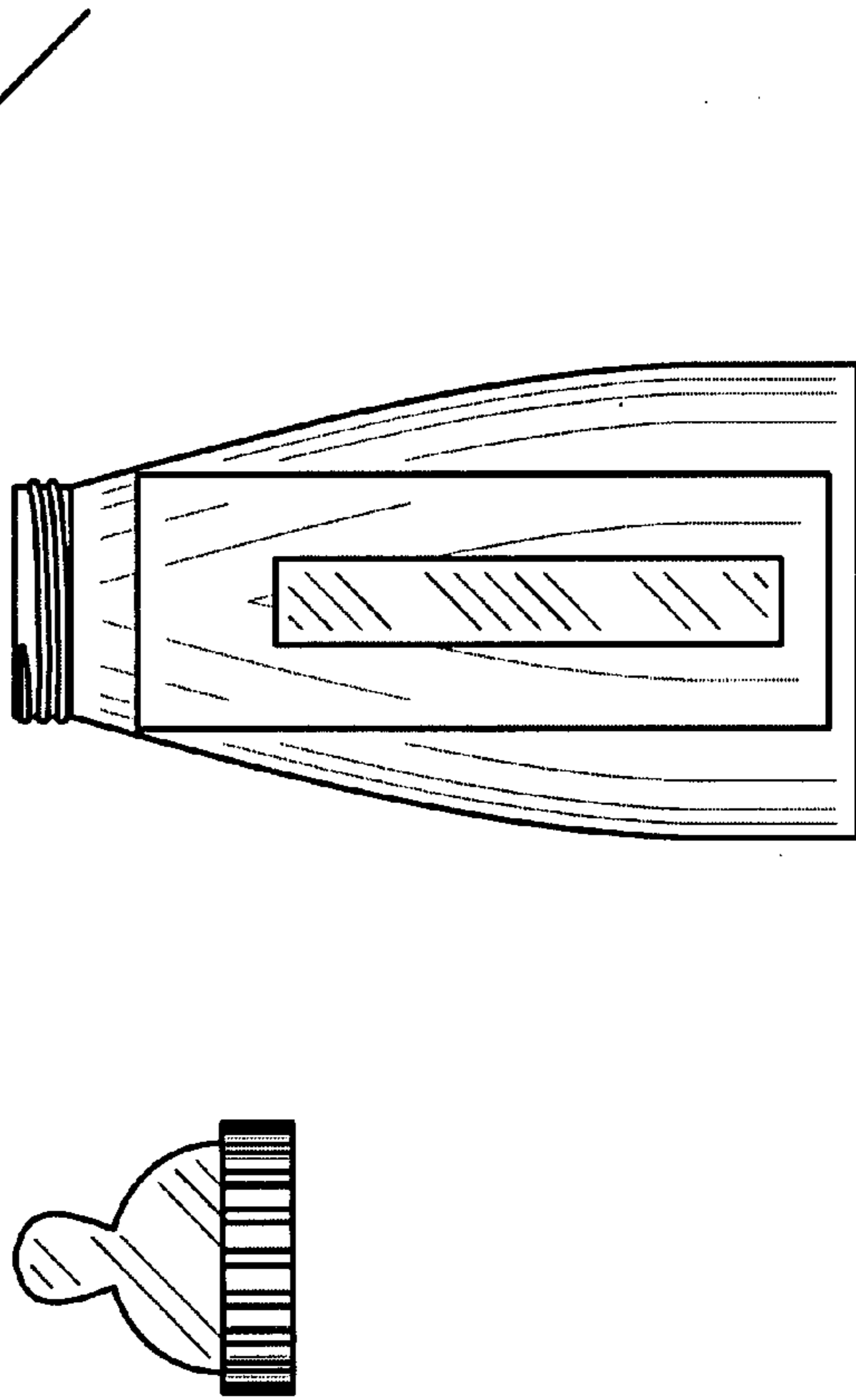
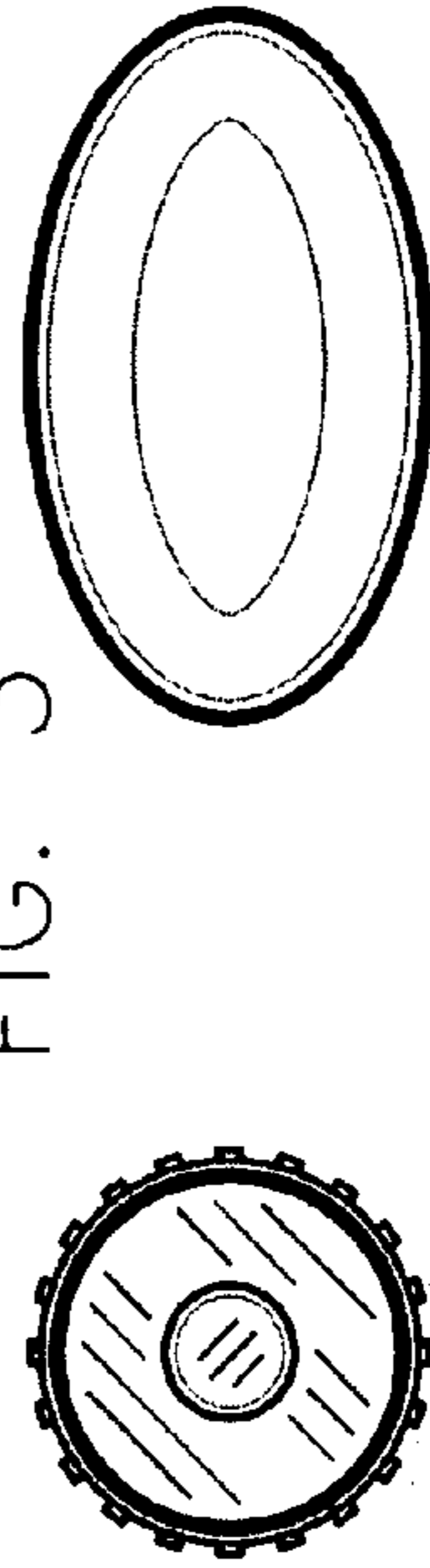


FIG. 3



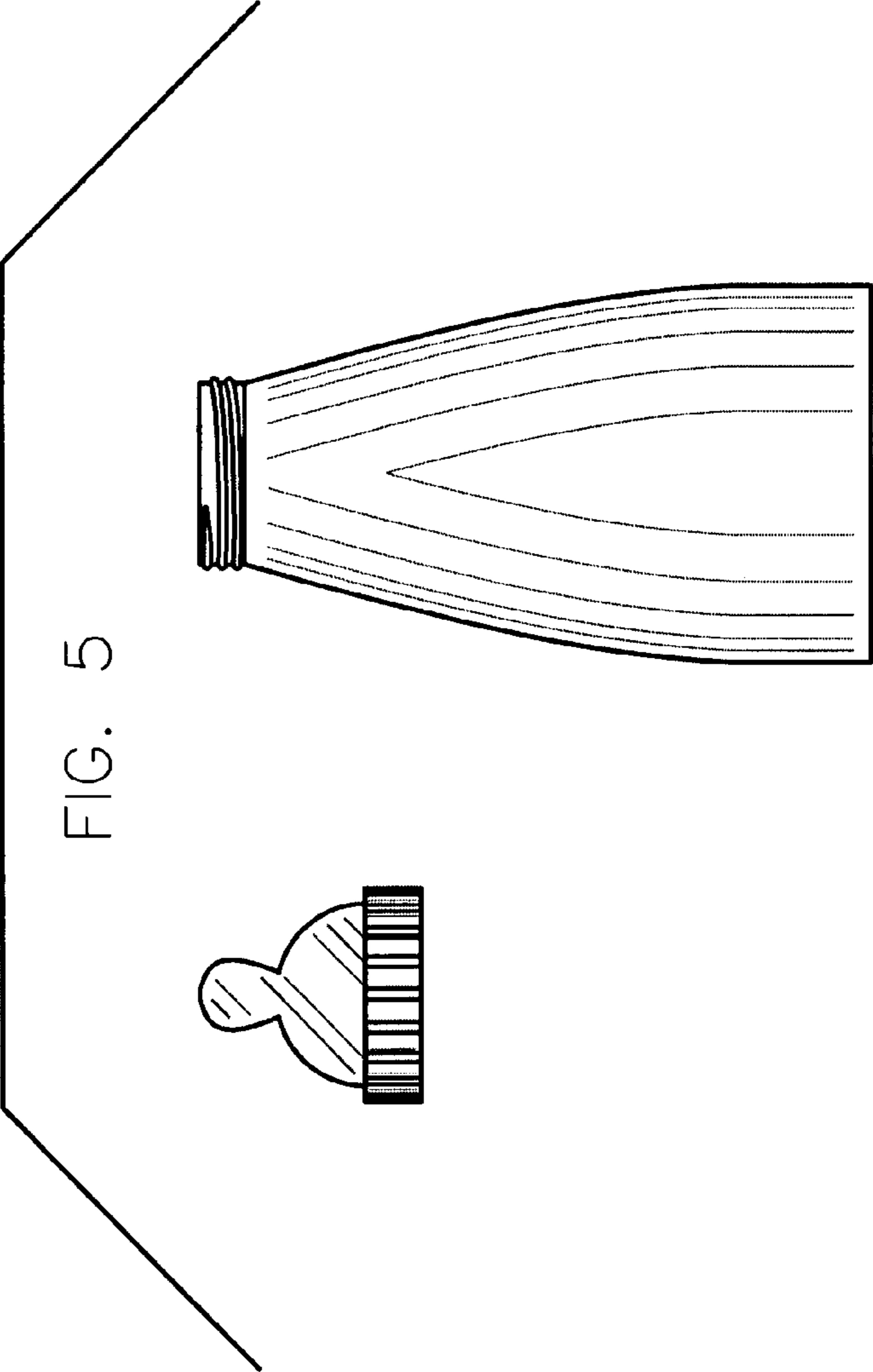
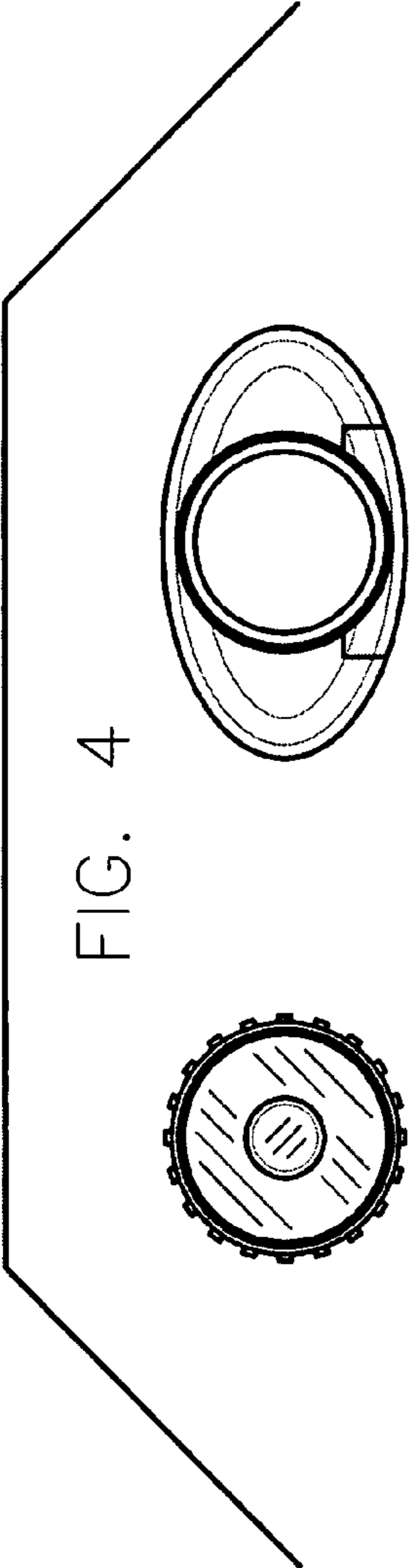


FIG. 6

