



US00D559390S

(12) **United States Design Patent** (10) **Patent No.:** **US D559,390 S**
Diener et al. (45) **Date of Patent:** **** Jan. 8, 2008**

(54) **MOBILE SUPPORT STRUCTURE FOR MEDICAL EQUIPMENT**

(75) Inventors: **Alexander M. Diener**, Seattle, WA (US); **Bradley J. Sliger**, Seattle, WA (US)

(73) Assignee: **SonoSite, Inc.**, Bothell, WA (US)

(**) Term: **14 Years**

(21) Appl. No.: **29/268,134**

(22) Filed: **Oct. 31, 2006**

(51) **LOC (8) Cl.** **24-01**

(52) **U.S. Cl.** **D24/186**

(58) **Field of Classification Search** D24/128, D24/164, 177, 185-186; 312/249.12, 249.1; 280/47.19, 47.35, 79.3

See application file for complete search history.

(56) **References Cited**

U.S. PATENT DOCUMENTS

D459,477 S * 6/2002 Stocks et al. D24/164

(Continued)

Primary Examiner—Robert A. Delehanty

Assistant Examiner—Mark Cavanna

(74) *Attorney, Agent, or Firm*—Fulbright & Jaworski LLP

(57) **CLAIM**

The ornamental design for mobile support structure for medical equipment, as shown and described.

DESCRIPTION

The present application is related to concurrently filed and commonly assigned U.S. design patent application Ser. No. 29/268,170, entitled "Ultrasound Display Apparatus," the disclosures of which are hereby incorporated herein by reference.

FIG. 1 is an isometric view of one embodiment showing the mobile support structure having a medical device and several trays and baskets disposed thereon, wherein the medical

device, trays, and baskets, base and wheels are shown for environmental purposes only and form no part of the claimed design of this embodiment;

FIG. 2 is a back elevation view of the embodiment of FIG. 1 having the medical device removed from the top shelf thereof, wherein the trays, baskets, base and wheels are shown for environmental purposes only and form no part of the claimed design of this embodiment;

FIG. 3 is a front elevation view of the embodiment of FIG. 1 having the medical device removed from the top shelf thereof, wherein the trays, baskets, base and wheels are shown for environmental purposes only and form no part of the claimed design of this embodiment;

FIG. 4 is a right elevation view of the embodiment of FIG. 1 having the medical device removed from the top shelf thereof, wherein the trays, baskets, base and wheels are shown for environmental purposes only and form no part of the claimed design of this embodiment;

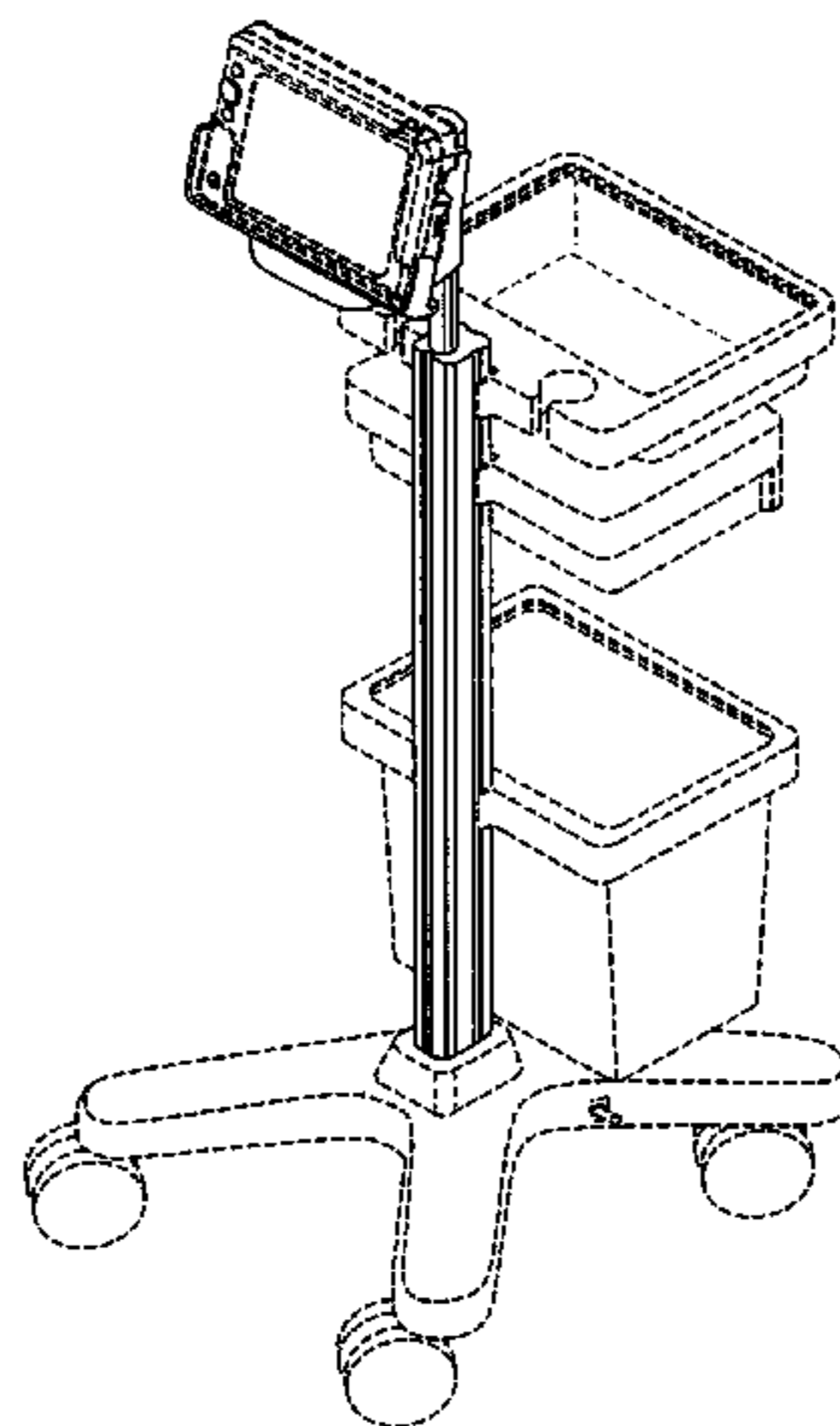
FIG. 5 is a left elevation view of the embodiment of FIG. 1 having the medical device removed from the top shelf thereof, wherein the trays, baskets, base and wheels are shown for environmental purposes only and form no part of the claimed design of this embodiment;

FIG. 6 is a top elevation view of the embodiment of FIG. 1 having the medical device removed from the top shelf thereof, wherein the trays, baskets, base and wheels are shown for environmental purposes only and form no part of the claimed design of this embodiment; and,

FIG. 7 is a bottom elevation view of the embodiment of FIG. 1, wherein the trays, baskets, base and wheels are shown for environmental purposes only and form no part of the claimed design of this embodiment.

It should be understood that the labels used herein for describing orientation (e.g., front, rear, top, bottom, right, and left) are merely for reference, and the design may be disposed in any manner and still be within the scope of the present invention. The portions of the article in broken lines are shown for illustrative purposes only and form no part of the claimed design. The portions of the article not visible in the views above form no part of the claimed design of the illustrated embodiments.

1 Claim, 6 Drawing Sheets



US D559,390 S

Page 2

U.S. PATENT DOCUMENTS

D486,915 S *	2/2004	Warschewske et al.	D24/185	D531,728 S *	11/2006	Helgeson	D24/164
D517,768 S *	3/2006	Arceta	D24/185	D544,962 S *	6/2007	Diener et al.	D24/186
D518,267 S *	3/2006	Arceta	D24/185	D546,949 S *	7/2007	Green	D24/164

* cited by examiner

FIG. 1

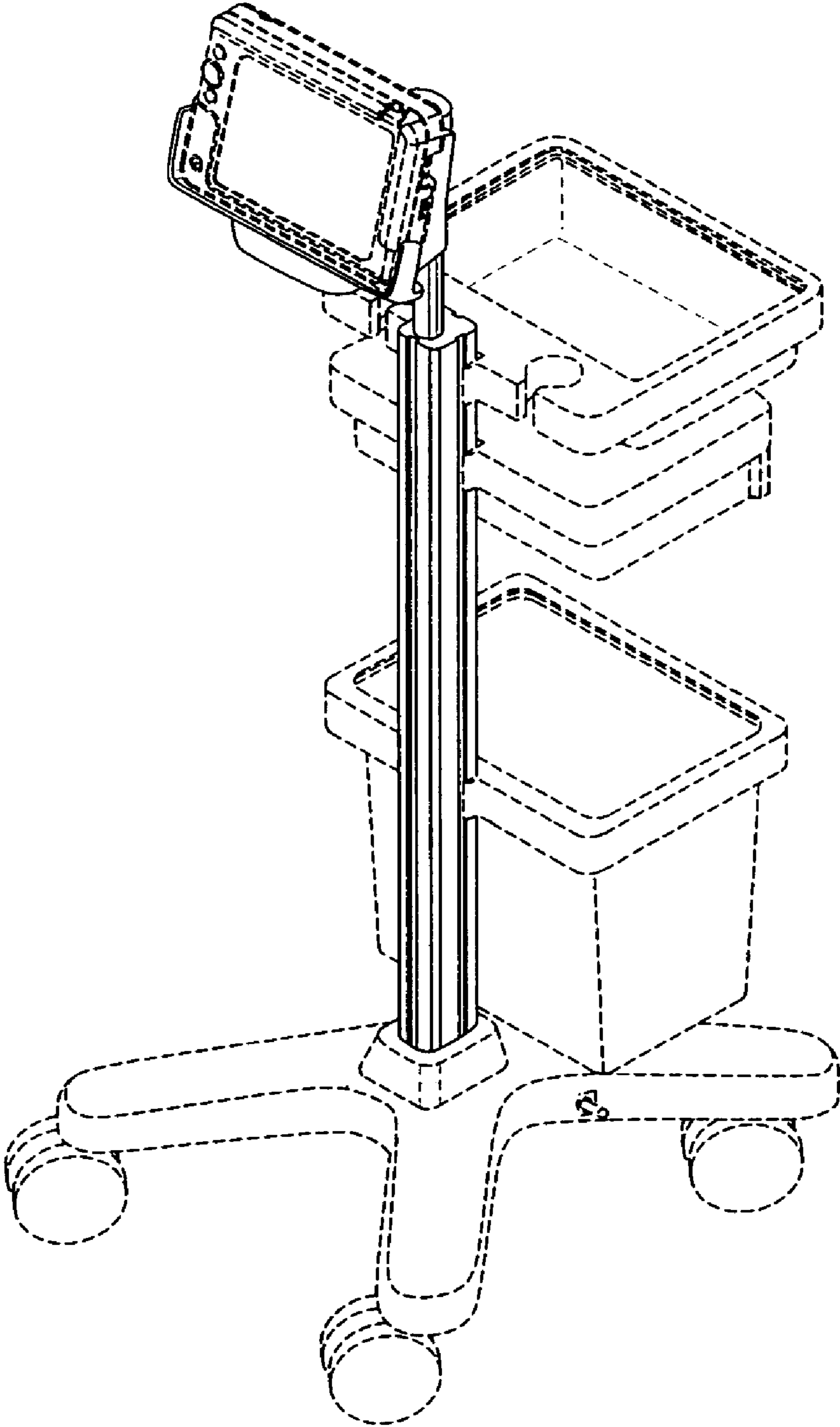


FIG. 2

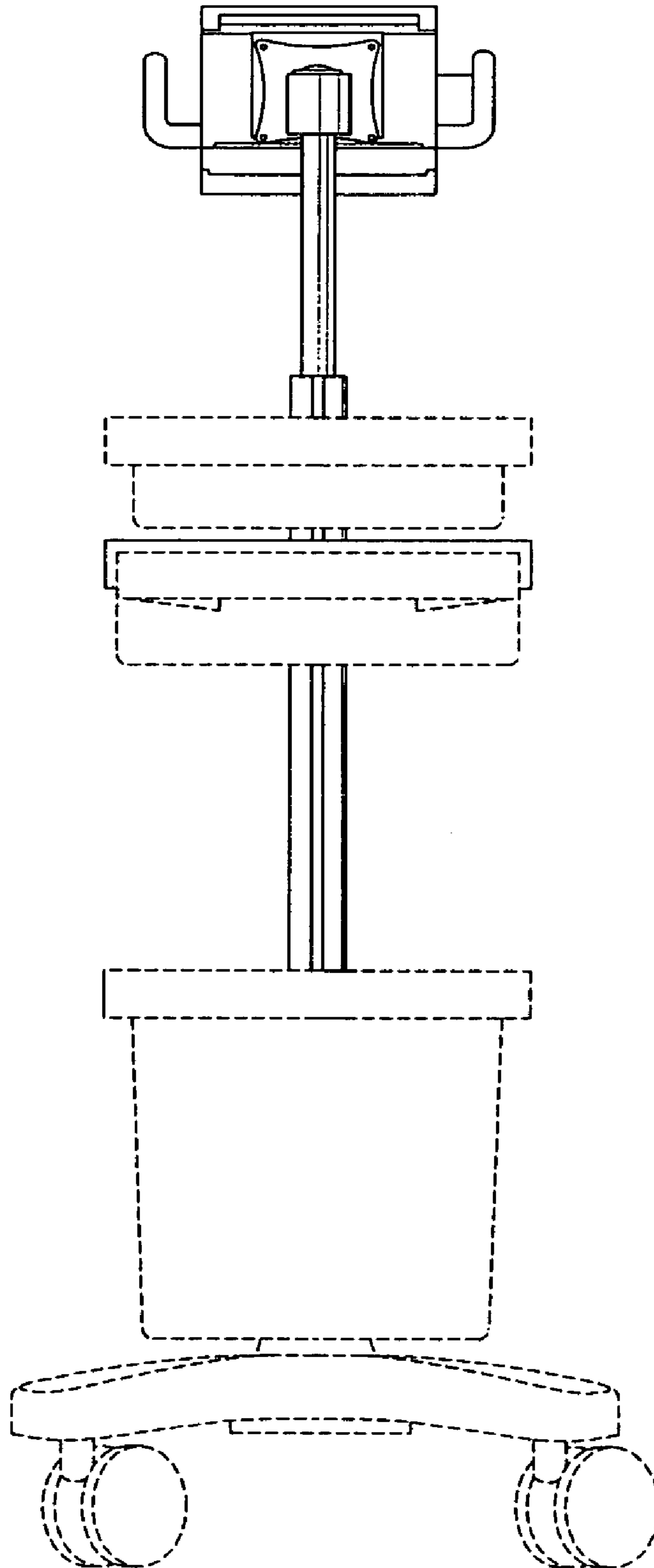


FIG. 3

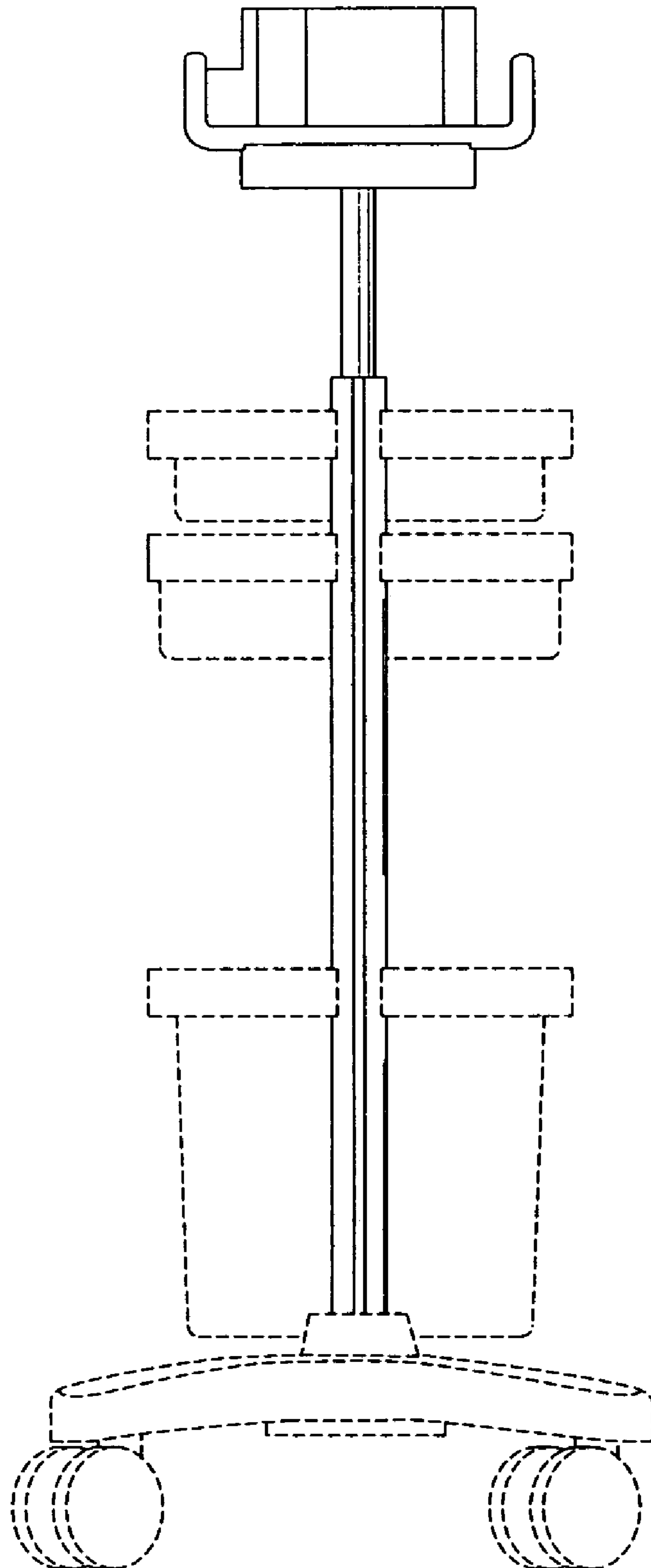


FIG. 4

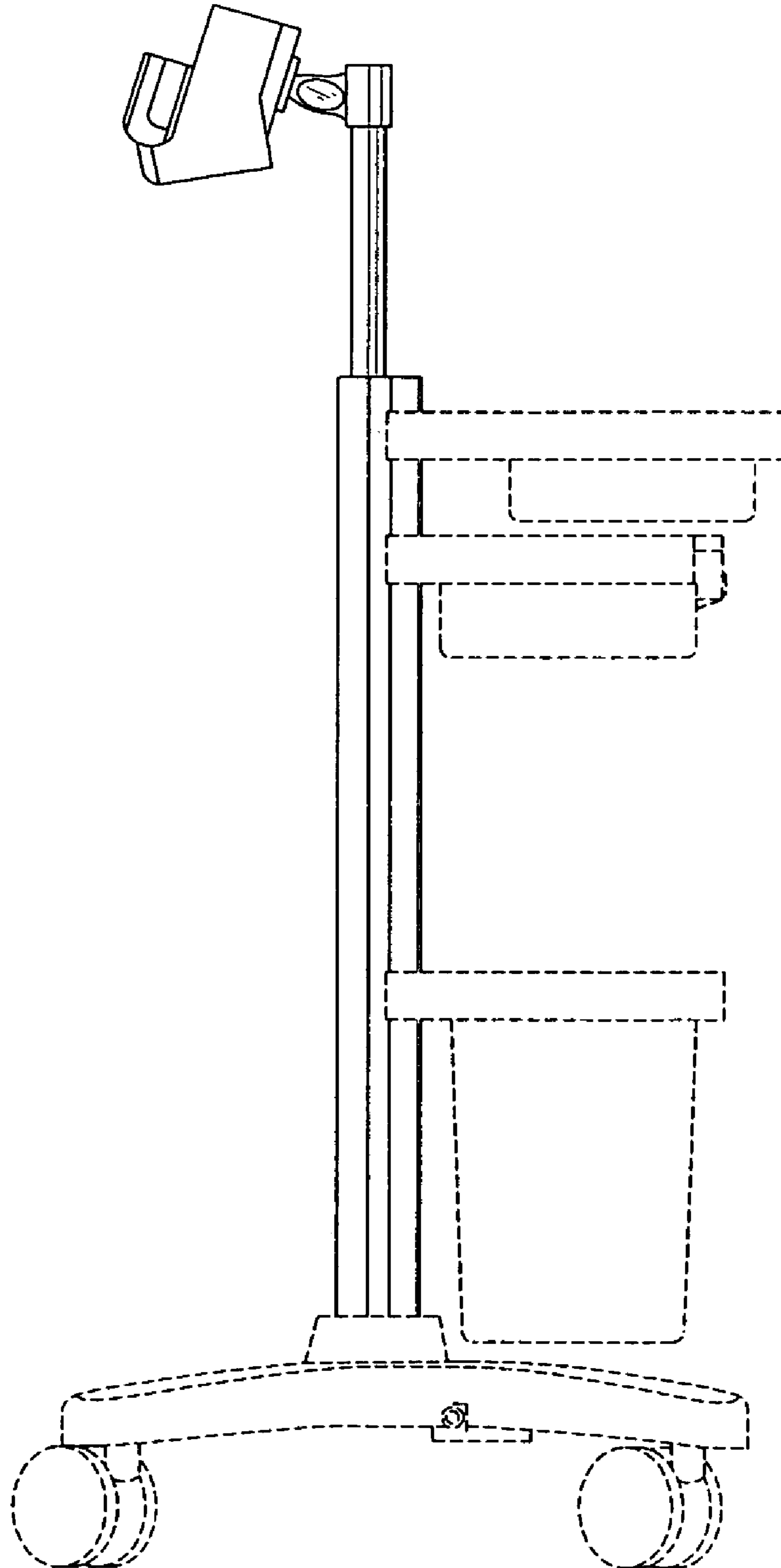


FIG. 5

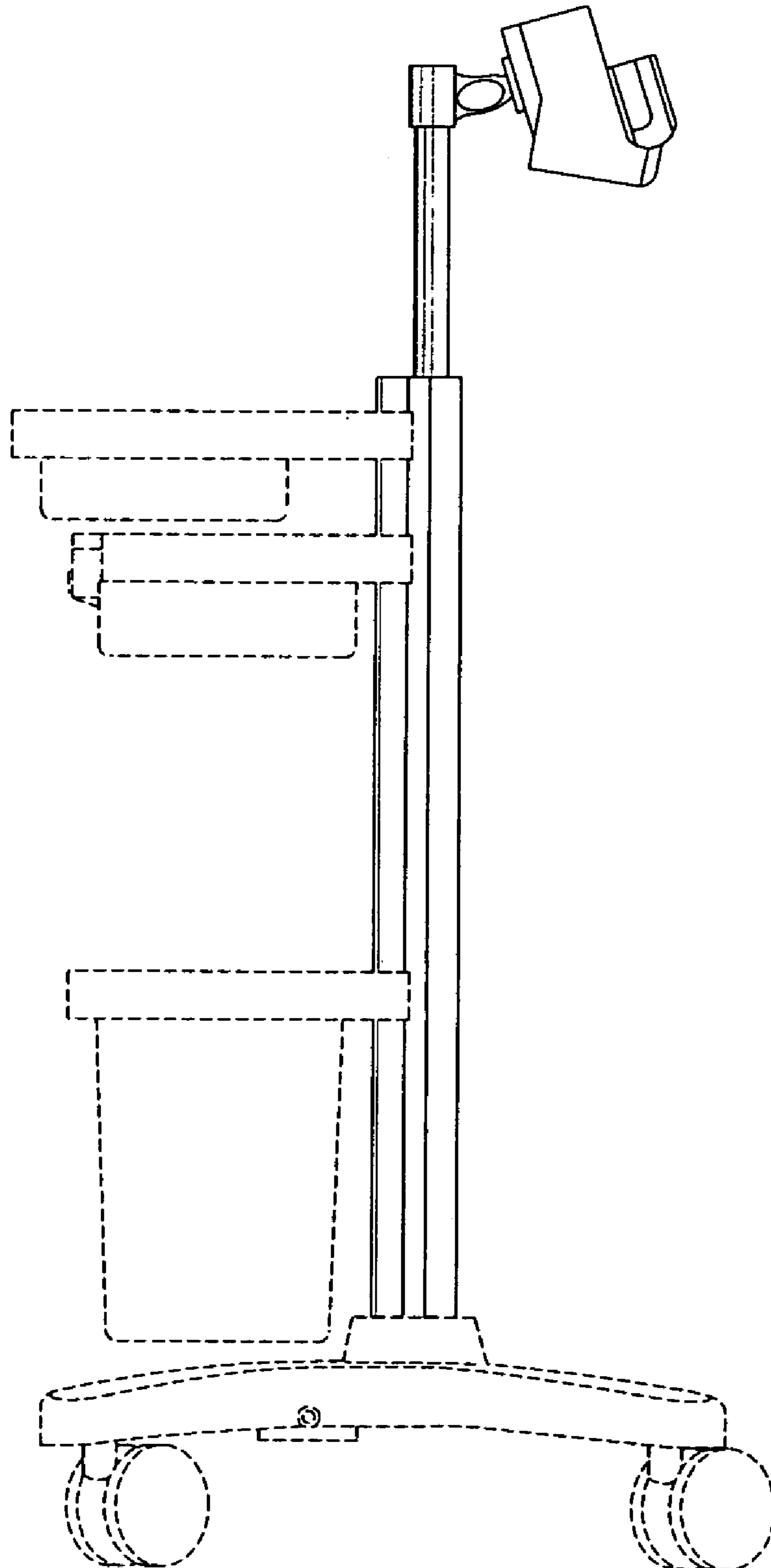


FIG. 6

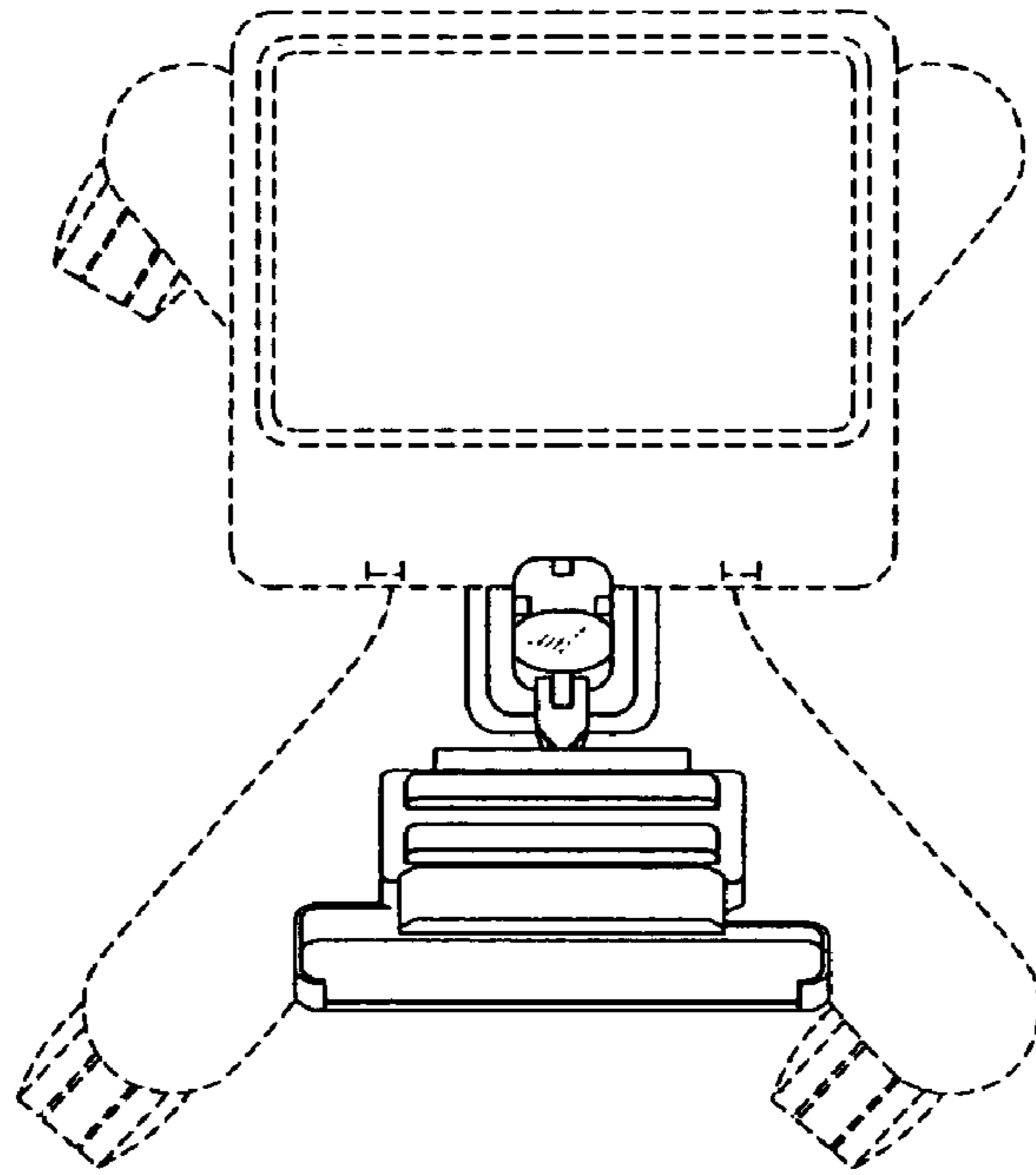


FIG. 7

