



US00D559388S

(12) **United States Design Patent**  
**Melcher**

(10) **Patent No.:** **US D559,388 S**

(45) **Date of Patent:** **\*\* Jan. 8, 2008**

(54) **EYE POSITION INSTRUMENT**

(75) Inventor: **Markus Melcher**, Mannheim (DE)

(73) Assignee: **20/10 Perfect Vision Optische Gerate GmbH**, Heidelberg (DE)

(\*\*) Term: **14 Years**

(21) Appl. No.: **29/241,030**

(22) Filed: **Oct. 21, 2005**

(51) **LOC (8) Cl.** ..... **24-02**

(52) **U.S. Cl.** ..... **D24/150; D24/133; D24/143**

(58) **Field of Classification Search** ..... **D24/143, D24/150, 140; 606/102, 106, 107, 161, 5; 600/558; 351/209, 45**

See application file for complete search history.

(56) **References Cited**

**U.S. PATENT DOCUMENTS**

4,903,706 A \* 2/1990 Vila-Cora et al. .... 600/558  
D459,806 S 7/2002 Webb  
D459,807 S \* 7/2002 Webb ..... D24/150

6,610,076 B2 \* 8/2003 Hellenkamp ..... 606/166  
2006/0064112 A1 \* 3/2006 Perez ..... 606/107

\* cited by examiner

*Primary Examiner*—Charles A. Rademaker

*Assistant Examiner*—Christopher Lee

(74) *Attorney, Agent, or Firm*—Nydegger & Associates

(57) **CLAIM**

The ornamental design for an eye position instrument, as shown.

**DESCRIPTION**

FIG. 1 is a perspective view of the eye position instrument in accordance with the present invention;

FIG. 2 is a top view thereof;

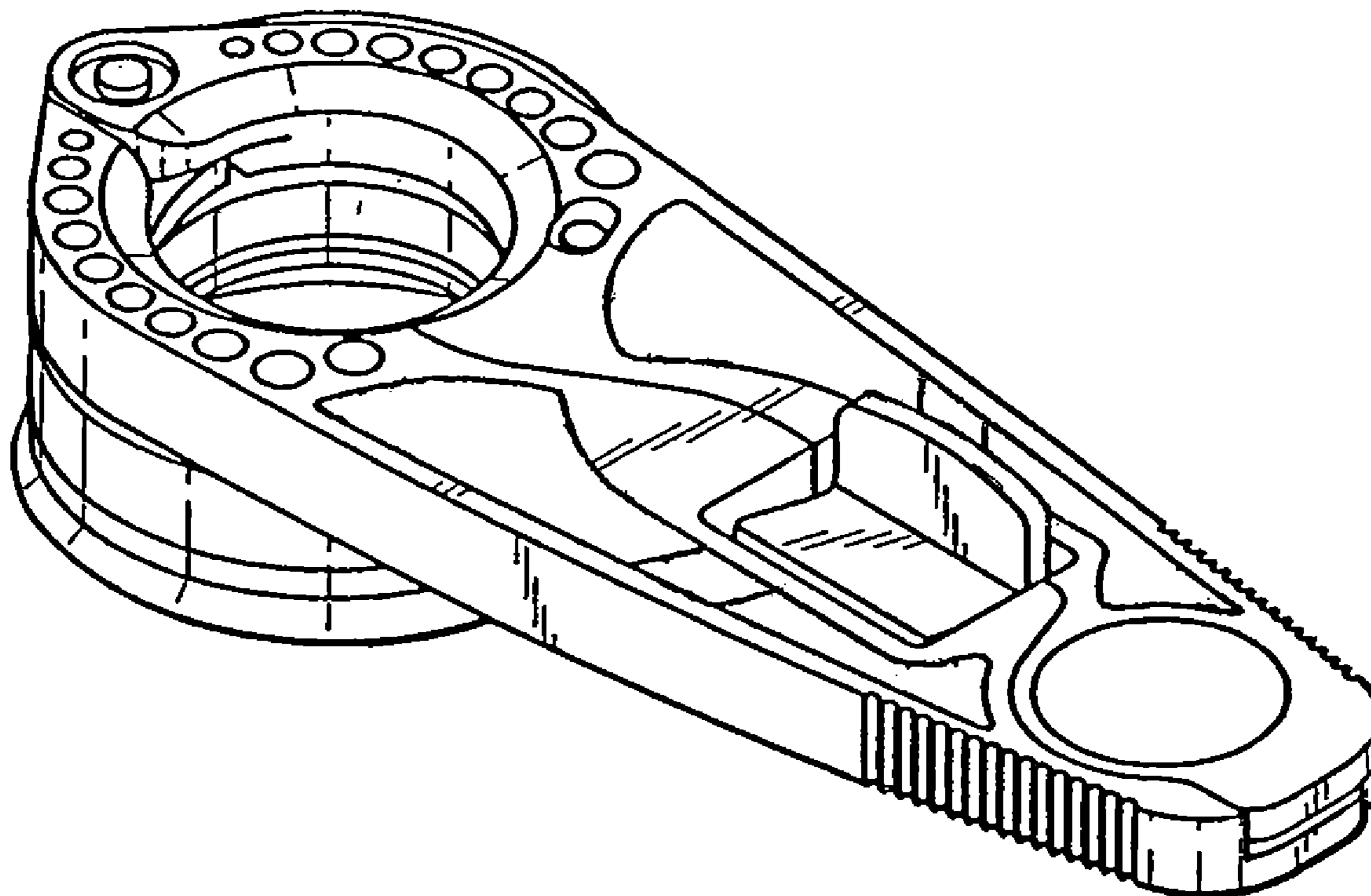
FIG. 3 is a bottom view thereof;

FIG. 4 is a side view thereof;

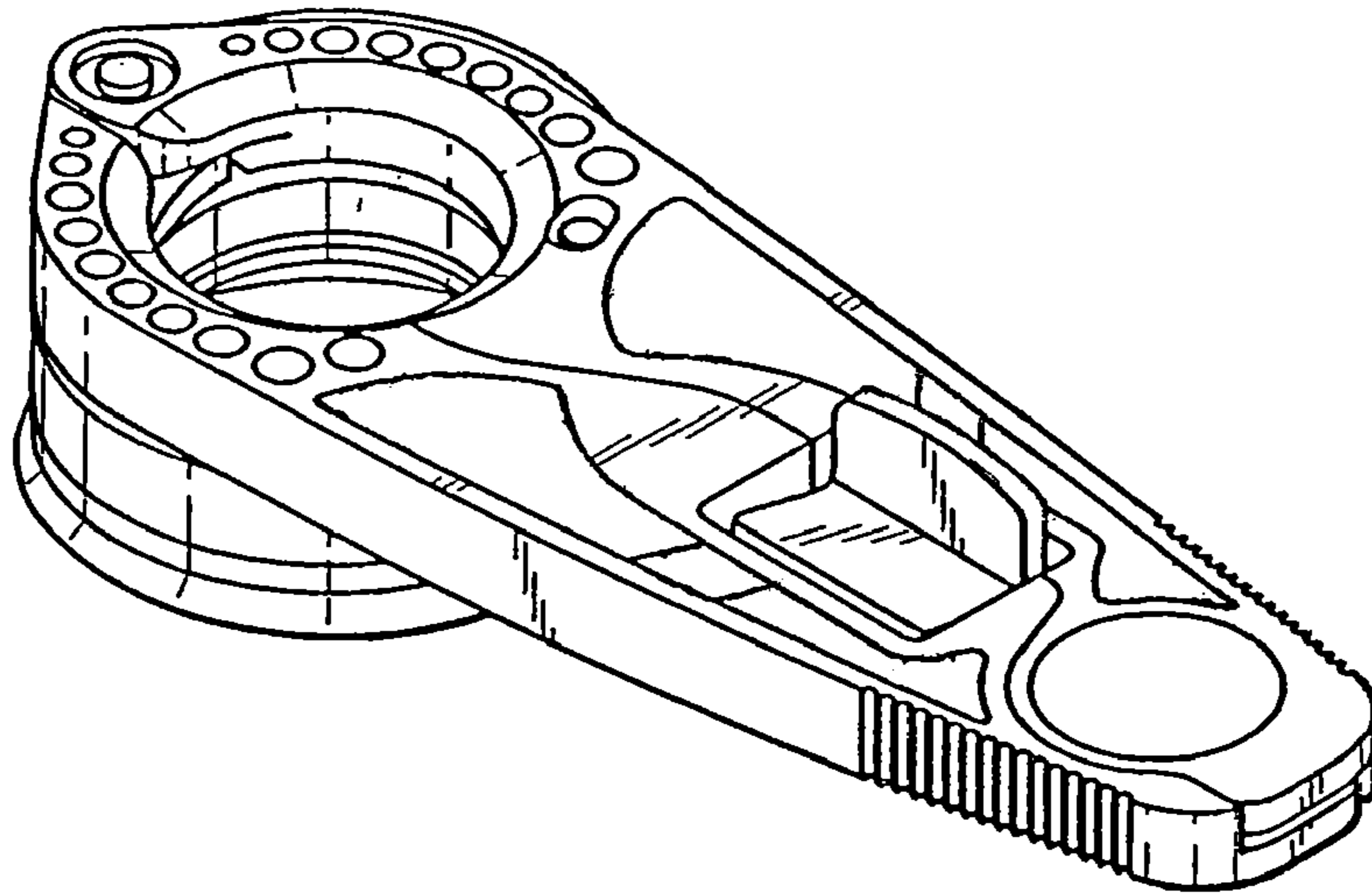
FIG. 5 is a front view thereof; and,

FIG. 6 is a rear view thereof.

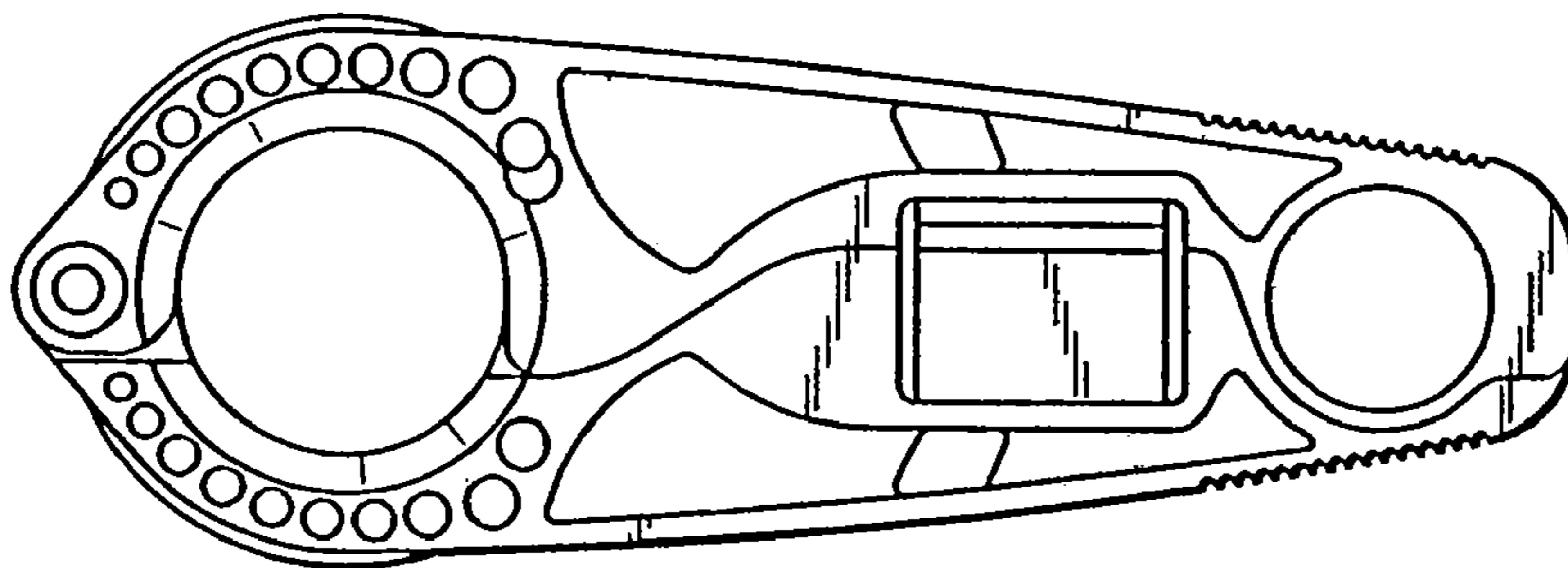
**1 Claim, 2 Drawing Sheets**



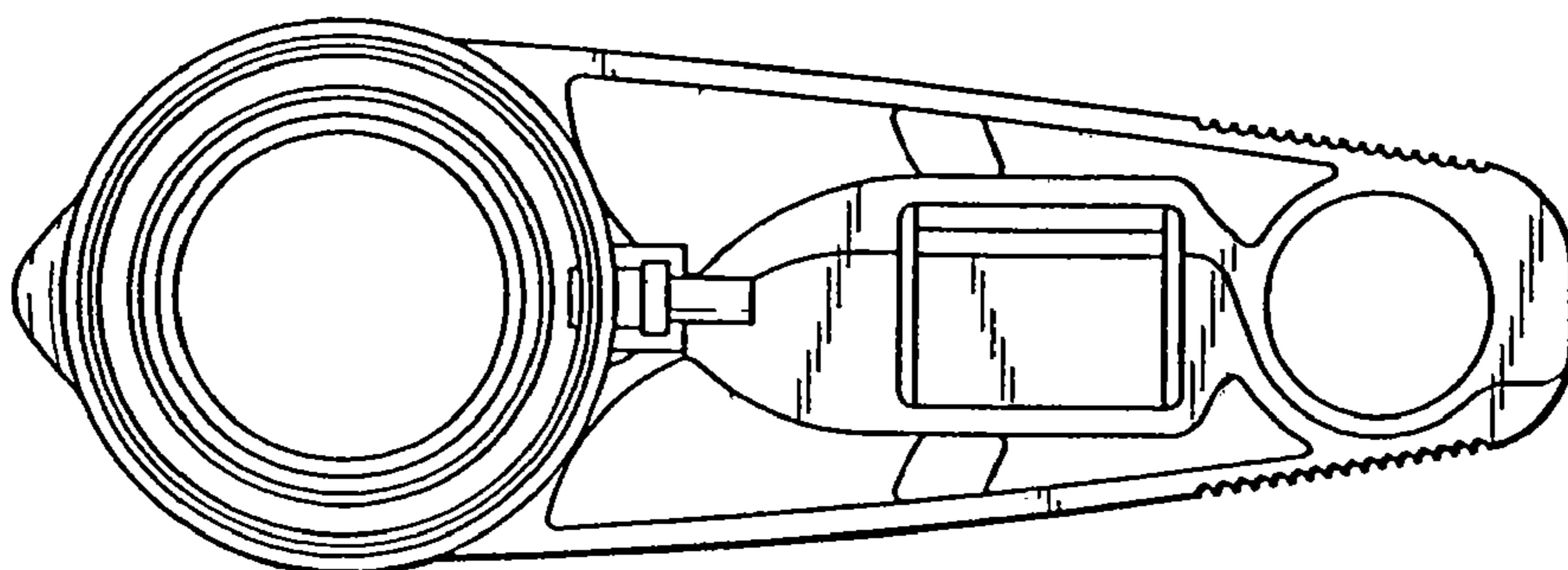
*FIG. 1*



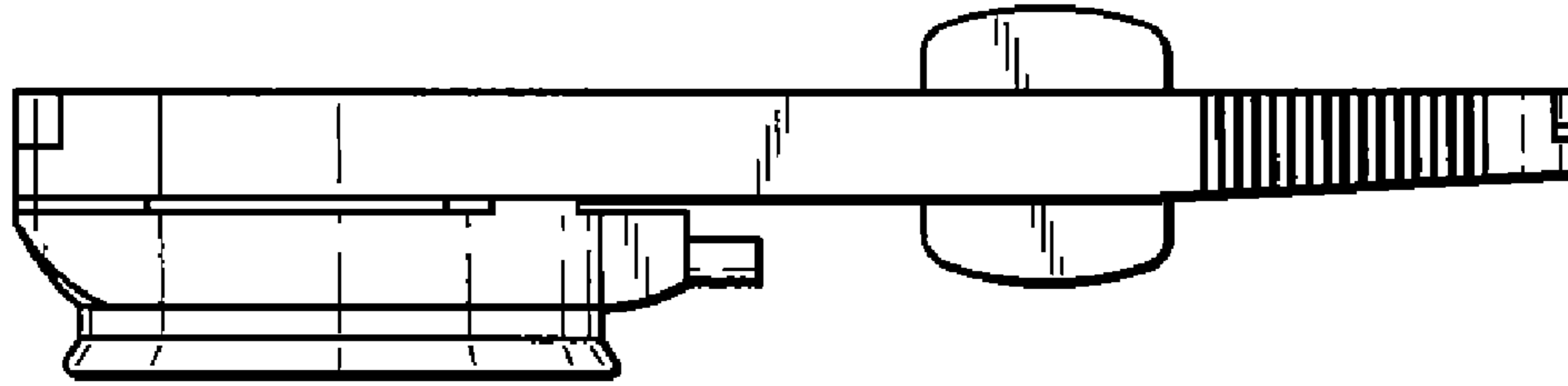
*FIG. 2*



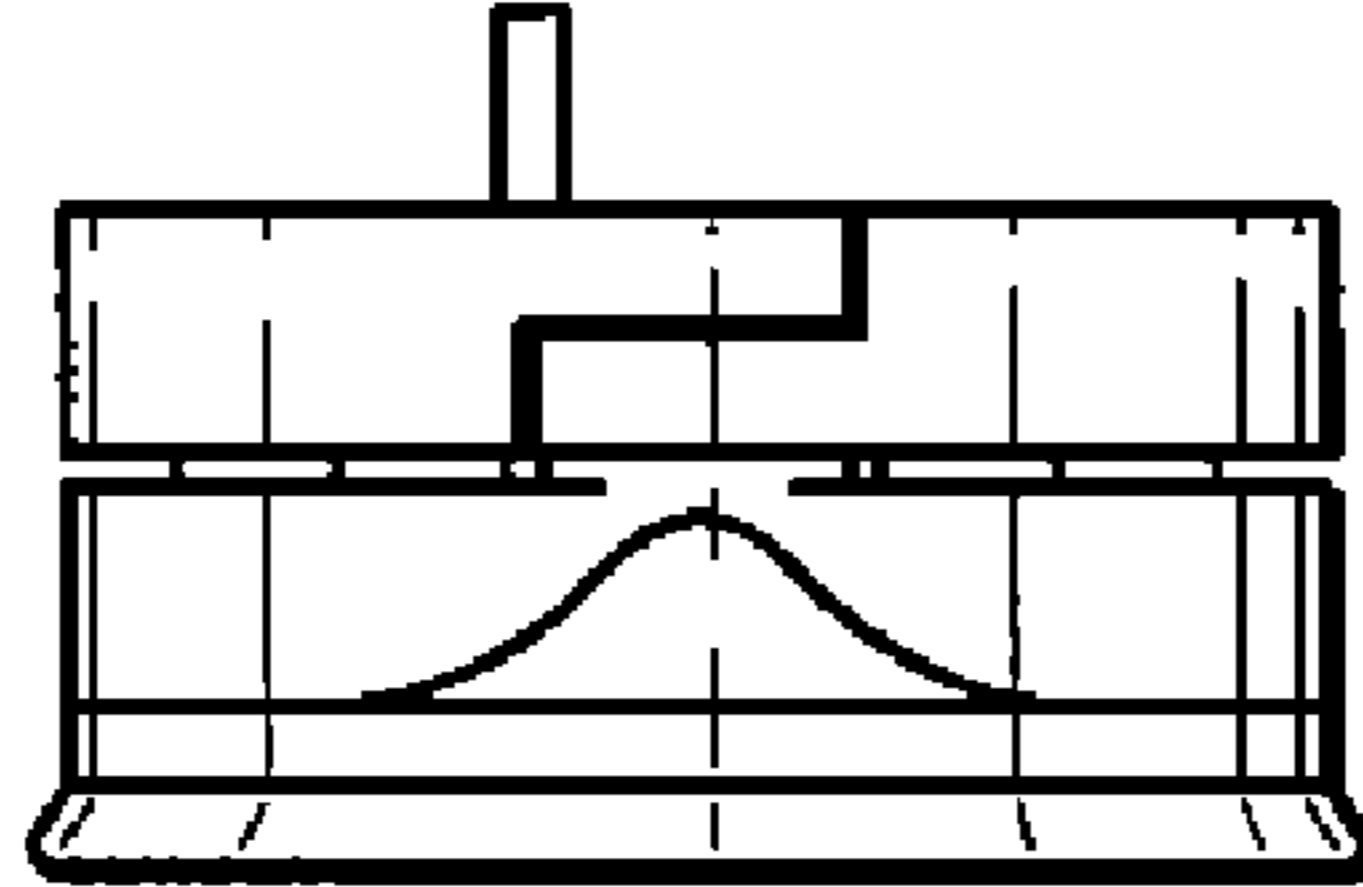
*FIG. 3*



**FIG. 4**



**FIG. 5**



**FIG. 6**

