



US00D559385S

(12) **United States Design Patent** (10) **Patent No.:** **US D559,385 S**
Boone et al. (45) **Date of Patent:** **** Jan. 8, 2008**

(54) **ADHESIVE DISPENSER/APPLICATOR DEVICE**

(75) Inventors: **Eric J. Boone**, St. Michael, MN (US);
Gardner J. Klaasen, Ada, MI (US)

(73) Assignee: **Closure Medical Corporation**,
Raleigh, NC (US)

(**) Term: **14 Years**

(21) Appl. No.: **29/275,623**

(22) Filed: **Jan. 2, 2007**

Related U.S. Application Data

(62) Division of application No. 29/212,559, filed on Sep. 3, 2004, now Pat. No. Des. 540,470.

(51) **LOC (8) Cl.** **24-02**

(52) **U.S. Cl.** **D24/133**

(58) **Field of Classification Search** D24/133,
D24/144, 145; D19/53, 54, 55; D9/337;
222/80; 156/577; 604/3, 904; 606/41, 43,
606/44

See application file for complete search history.

(56) **References Cited**

U.S. PATENT DOCUMENTS

D145,586 S	9/1946	Reynolds
D155,031 S	8/1949	Patterson
3,797,488 A	3/1974	Hirschman et al.
4,543,005 A	9/1985	Kuboshima
4,581,021 A	4/1986	Landau et al.
4,640,637 A	2/1987	Winthrop
4,813,870 A	3/1989	Pitzen et al.
4,960,340 A	10/1990	Tamiya et al.
5,171,149 A	12/1992	Alpert
5,193,928 A	3/1993	Blazer et al.
5,308,180 A	5/1994	Pournoor et al.
5,358,349 A	10/1994	Burroughs et al.
5,445,462 A	8/1995	Johnson et al.
5,658,084 A	8/1997	Wirt
5,791,801 A	8/1998	Miller
5,928,611 A	7/1999	Leung
6,099,807 A	8/2000	Leung
D443,303 S	6/2001	Ashe
6,283,933 B1	9/2001	D'Alessio et al.

6,328,715 B1	12/2001	Dragan et al.
6,340,097 B1	1/2002	D'Alessio et al.
6,371,675 B1	4/2002	Hoang et al.
6,425,704 B2	7/2002	Voiers et al.
6,447,476 B1	9/2002	Sogaro
6,478,191 B1	11/2002	D'Alessio et al.
D471,586 S	3/2003	Geiselhart et al.
D472,578 S	4/2003	Plantz et al.
6,547,467 B2	4/2003	Quintero
6,595,940 B1	7/2003	D'Alessio et al.
6,705,790 B2	3/2004	Quintero et al.
D491,986 S	6/2004	Bain
D500,085 S	12/2004	Cotter et al.
2001/0031170 A1	10/2001	Voiers et al.
2002/0076255 A1	6/2002	Hoang et al.
2002/0108875 A1	8/2002	Feinberg et al.
2003/0060746 A1	3/2003	Mark
2003/0063944 A1	4/2003	Leung
2003/0077386 A1	4/2003	Azevedo
2003/0080151 A1	5/2003	D'Alessio et al.
2003/0186005 A1	10/2003	Rivera et al.
2006/0049203 A1	3/2006	Boone et al.

Primary Examiner—Ian Simmons

Assistant Examiner—Christopher Lee

(57) **CLAIM**

The ornamental design for an adhesive dispenser/applicator device, as shown and described.

DESCRIPTION

FIG. 1 is a front/top perspective view of an adhesive dispenser/applicator device showing our design, the broken line showing of the hole defines the bounds of the claimed design but does not form part of the claimed design;

FIG. 2 is a left side elevational view thereof; the right side is a mirror image;

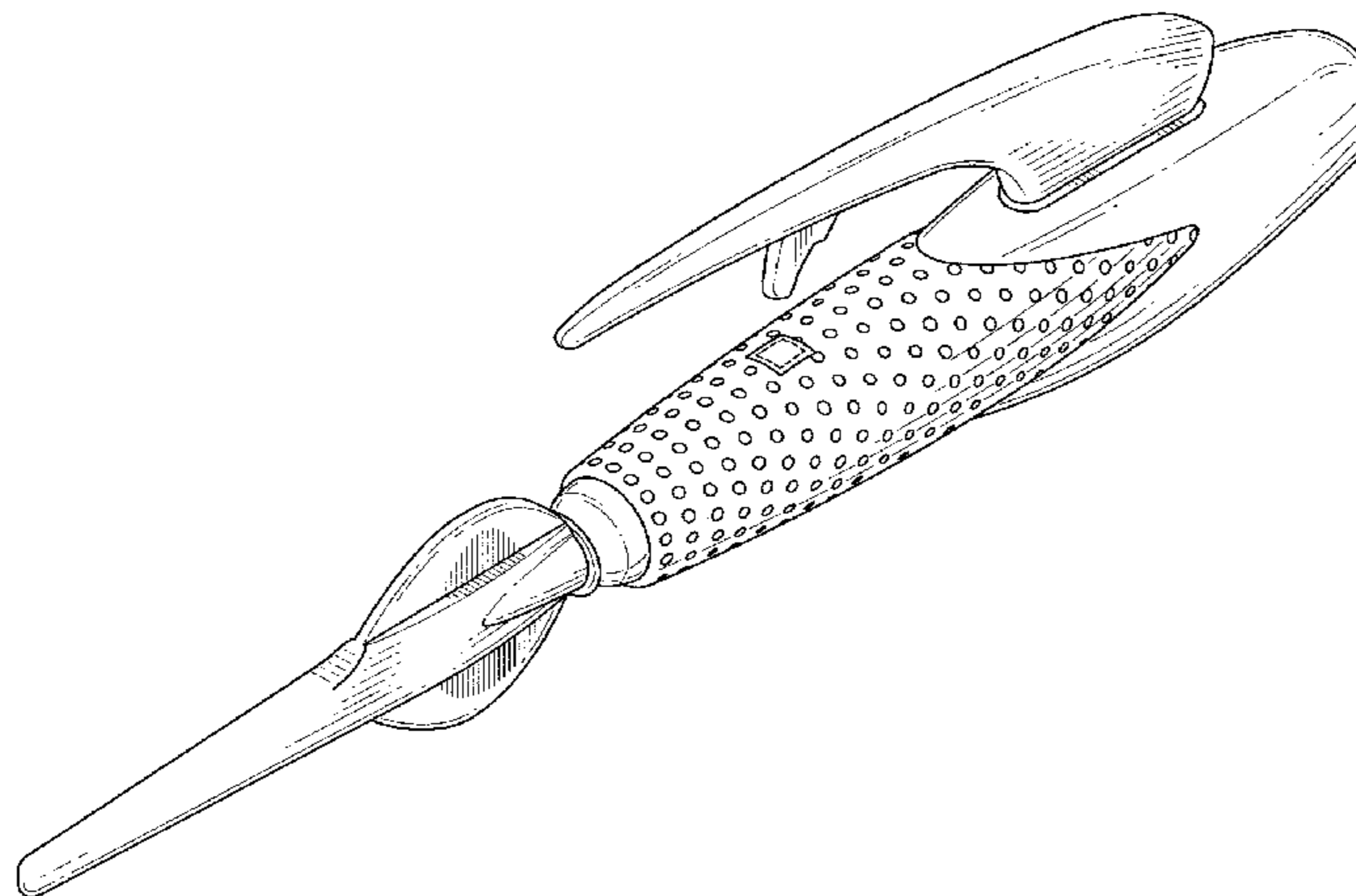
FIG. 3 is a top plan view thereof;

FIG. 4 is a bottom plan view thereof;

FIG. 5 is a front end view thereof; and,

FIG. 6 is a rear end view.

1 Claim, 3 Drawing Sheets



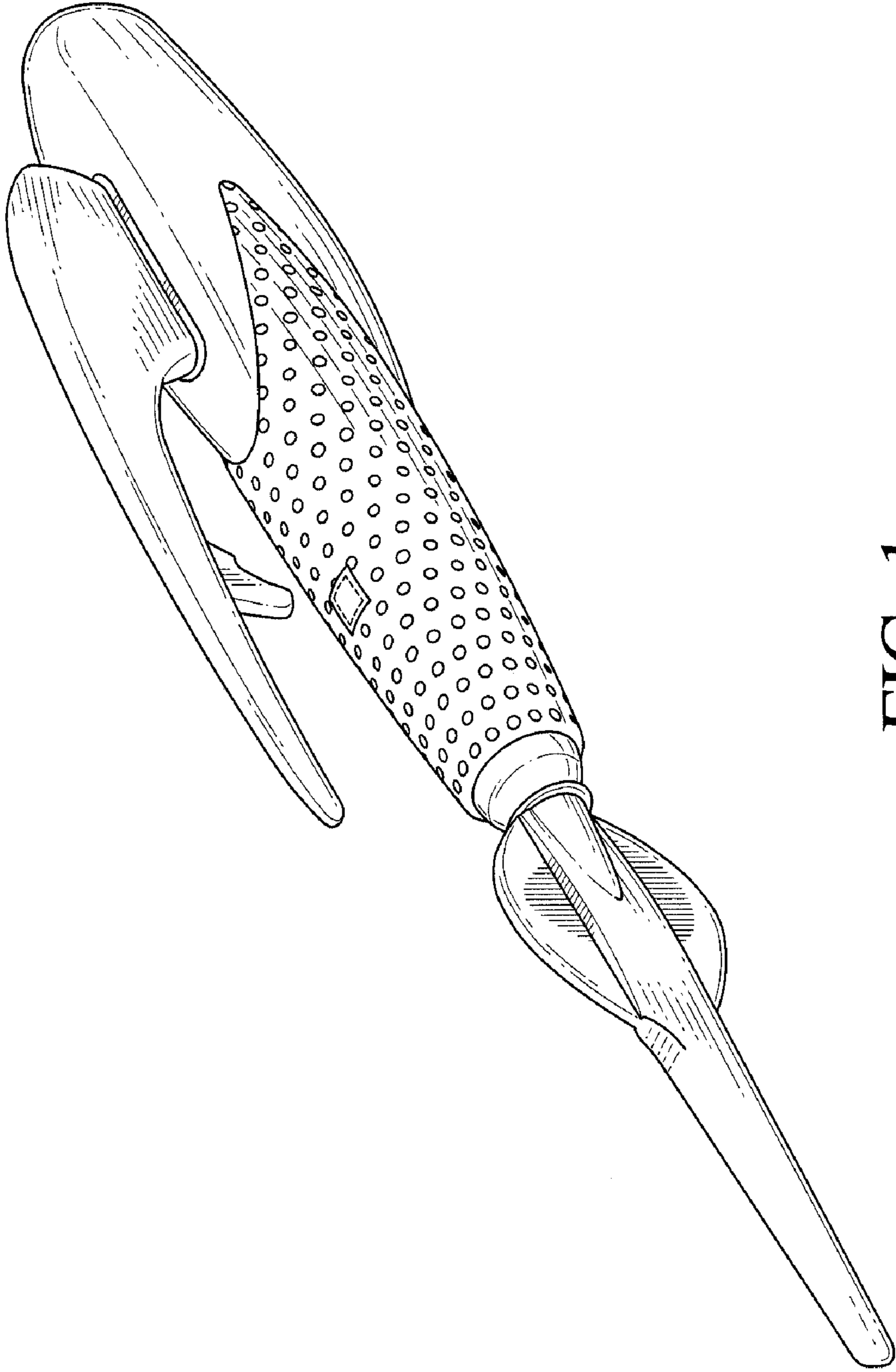


FIG. 1

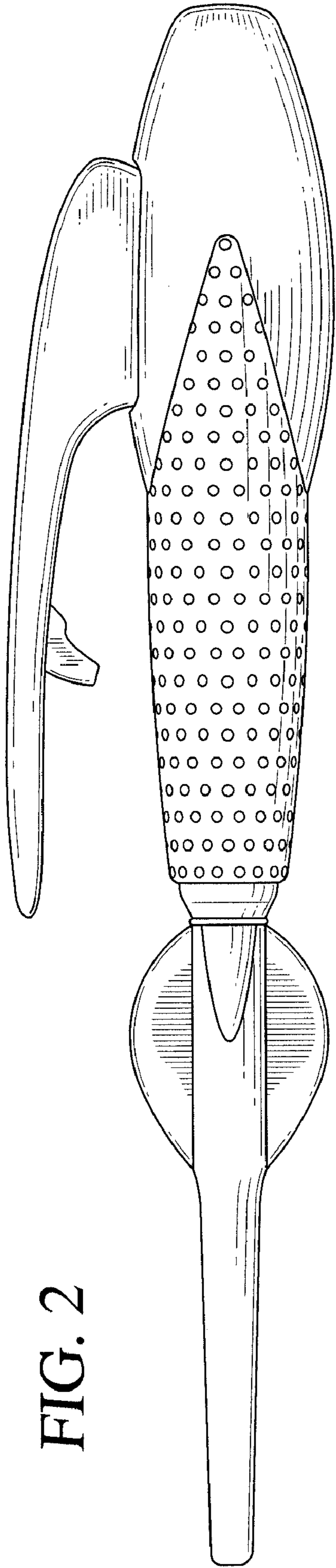


FIG. 2

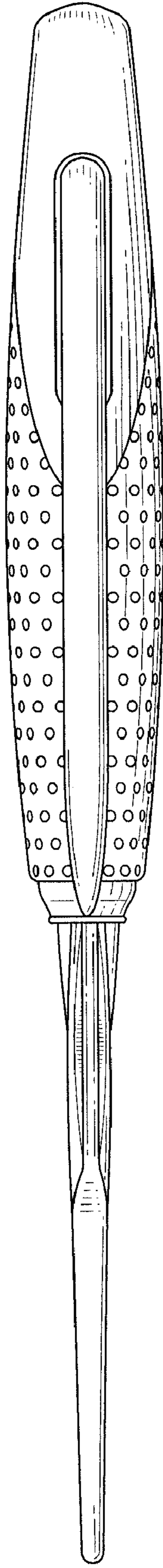


FIG. 3

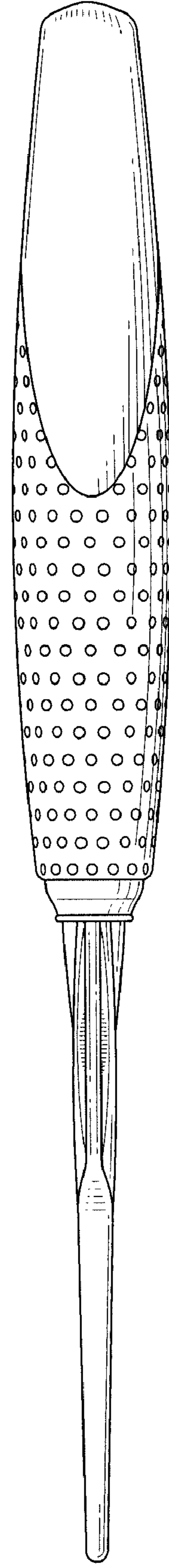


FIG. 4

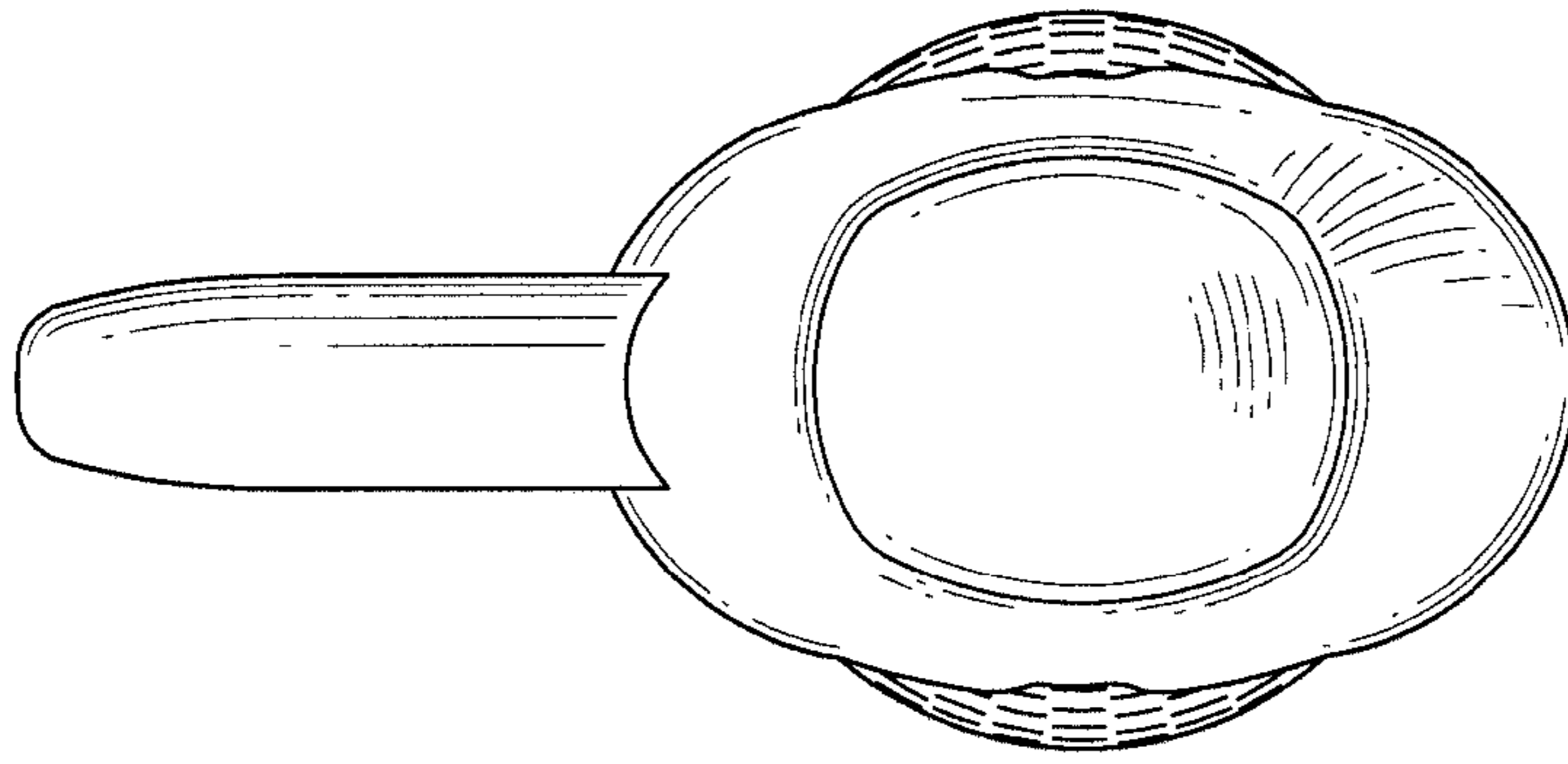


FIG. 6

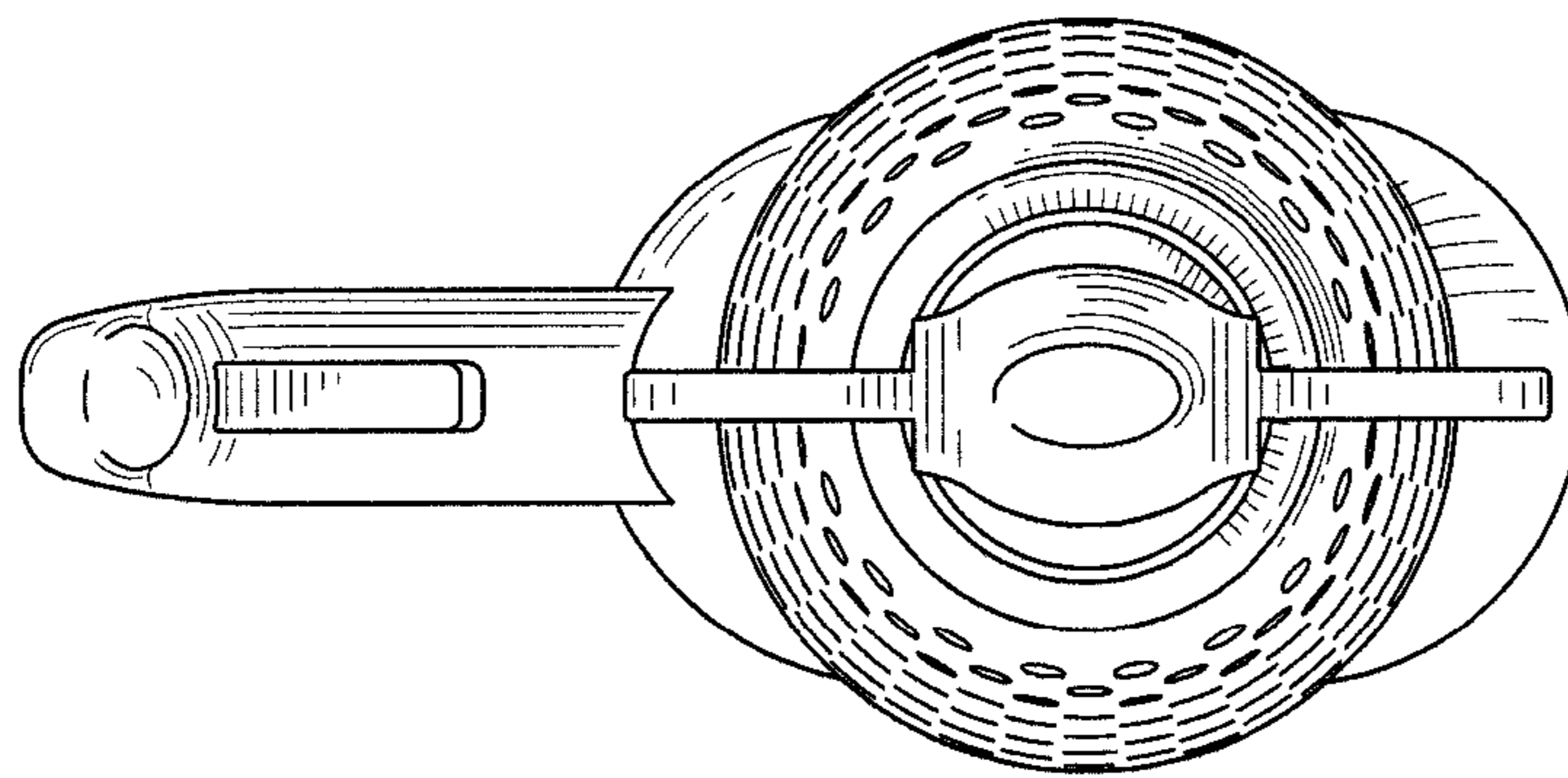


FIG. 5