



US00D559384S

(12) **United States Design Patent**
Wang

(10) **Patent No.:** **US D559,384 S**

(45) **Date of Patent:** **** Jan. 8, 2008**

(54) **SPECIMEN CUP**

(75) Inventor: **Naishu Wang**, San Diego, CA (US)

(73) Assignee: **Alfa Scientific Designs, Inc.**, Poway, CA (US)

(**) Term: **14 Years**

(21) Appl. No.: **29/264,002**

(22) Filed: **Aug. 1, 2006**

Related U.S. Application Data

(62) Division of application No. 29/204,856, filed on May 4, 2004, now Pat. No. Des. 529,170.

(51) **LOC (8) Cl.** **24-04**

(52) **U.S. Cl.** **D24/122**

(58) **Field of Classification Search** D24/122,
D24/216, 224, 121; 604/317-319; 600/573;
422/58, 61, 939, 940; 206/363, 438, 210;
435/283.1, 288.1, 299.2, 304.1-2
See application file for complete search history.

(56) **References Cited**

U.S. PATENT DOCUMENTS

D512,157 S * 11/2005 Wu et al. D24/122
6,973,678 B2 * 12/2005 Jones 600/573
D516,223 S * 2/2006 Smith D24/224
7,025,733 B2 * 4/2006 McQuaid 600/573

D522,145 S * 5/2006 Best et al. D24/224
7,041,253 B1 * 5/2006 Sun 422/58
D527,463 S * 8/2006 Py et al. D24/224
D531,320 S * 10/2006 Garland et al. D24/216
2005/0261644 A1 * 11/2005 Fields 604/317
2005/0267425 A1 * 12/2005 Castora et al. 604/317
2005/0288608 A1 * 12/2005 Corcos 604/318
2006/0064032 A1 * 3/2006 Bohannon et al. 600/573
2006/0198758 A1 * 9/2006 Galloway et al. 422/58

* cited by examiner

Primary Examiner—Ian Simmons

Assistant Examiner—David G. Muller

(74) *Attorney, Agent, or Firm*—Charmasson, Buchaca & Leach, LLP

(57) **CLAIM**

The ornamental design for a specimen cup, as shown and described.

DESCRIPTION

FIG. 1 is a front elevational view of a specimen cup showing my new design;

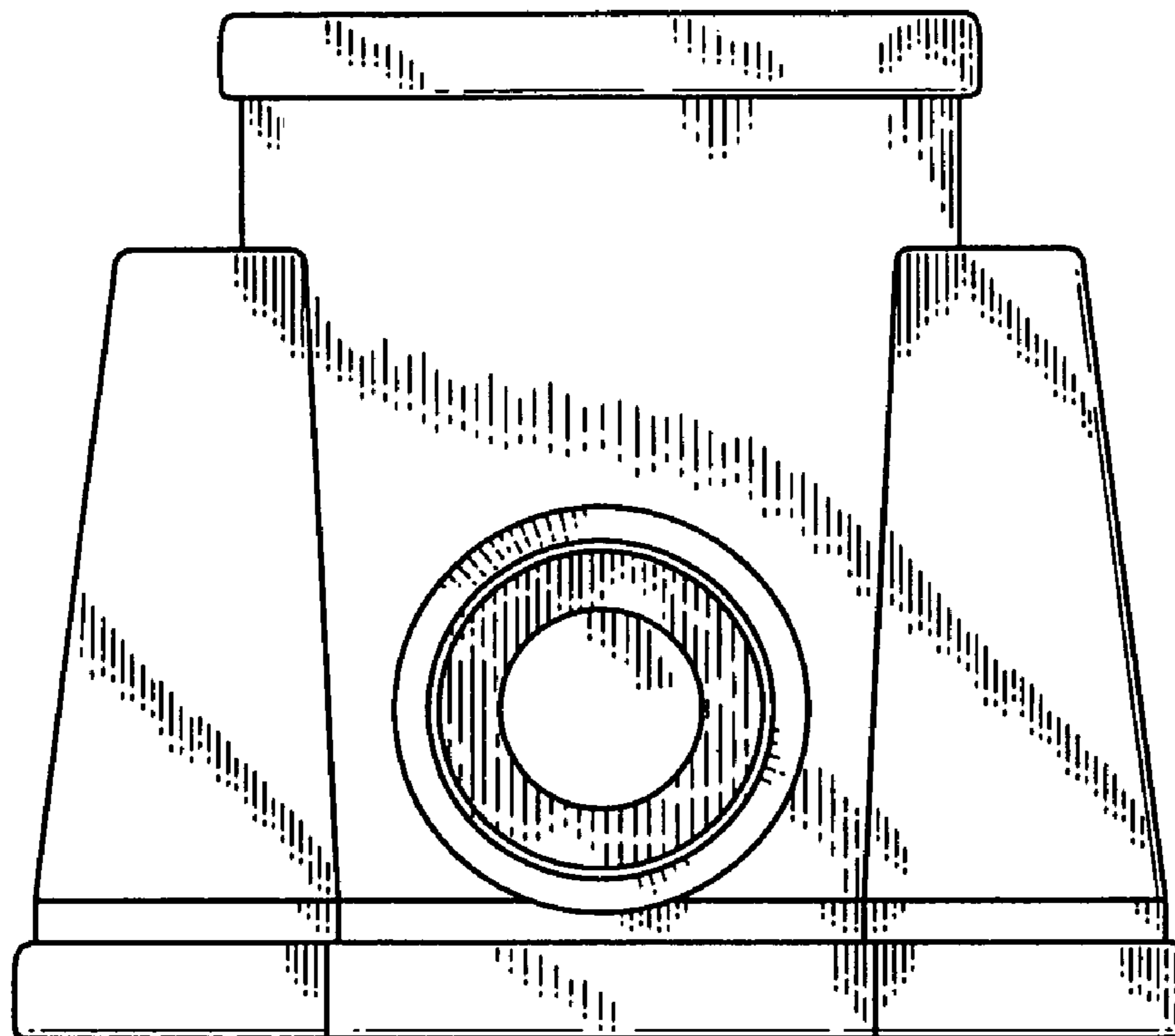
FIG. 2 is a top plan view thereof;

FIG. 3 is a back elevational view thereof;

FIG. 4 is a bottom plan view thereof; and,

FIG. 5 is a left side elevational view thereof, the right side being a mirror image.

1 Claim, 3 Drawing Sheets



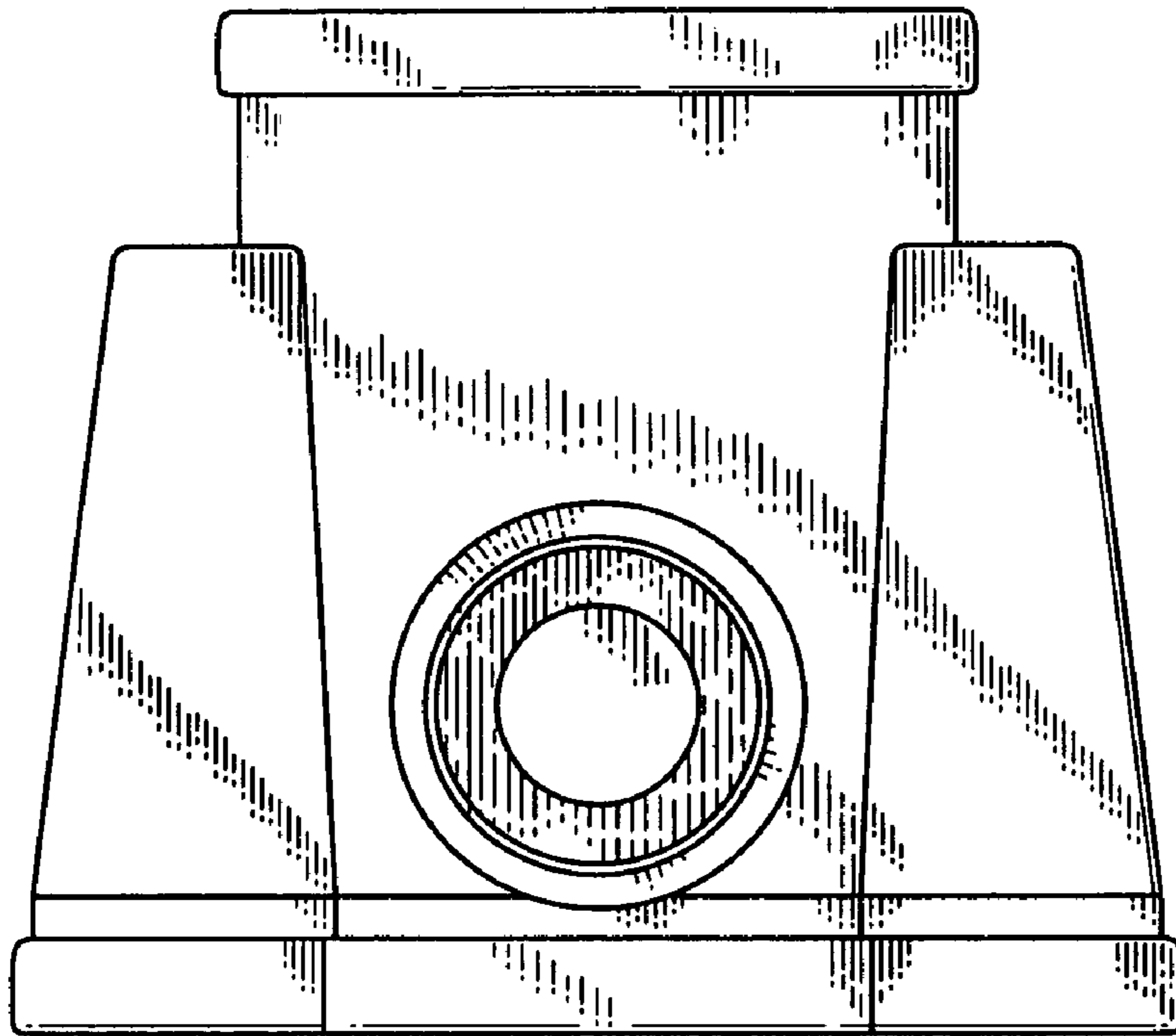


FIG. 1

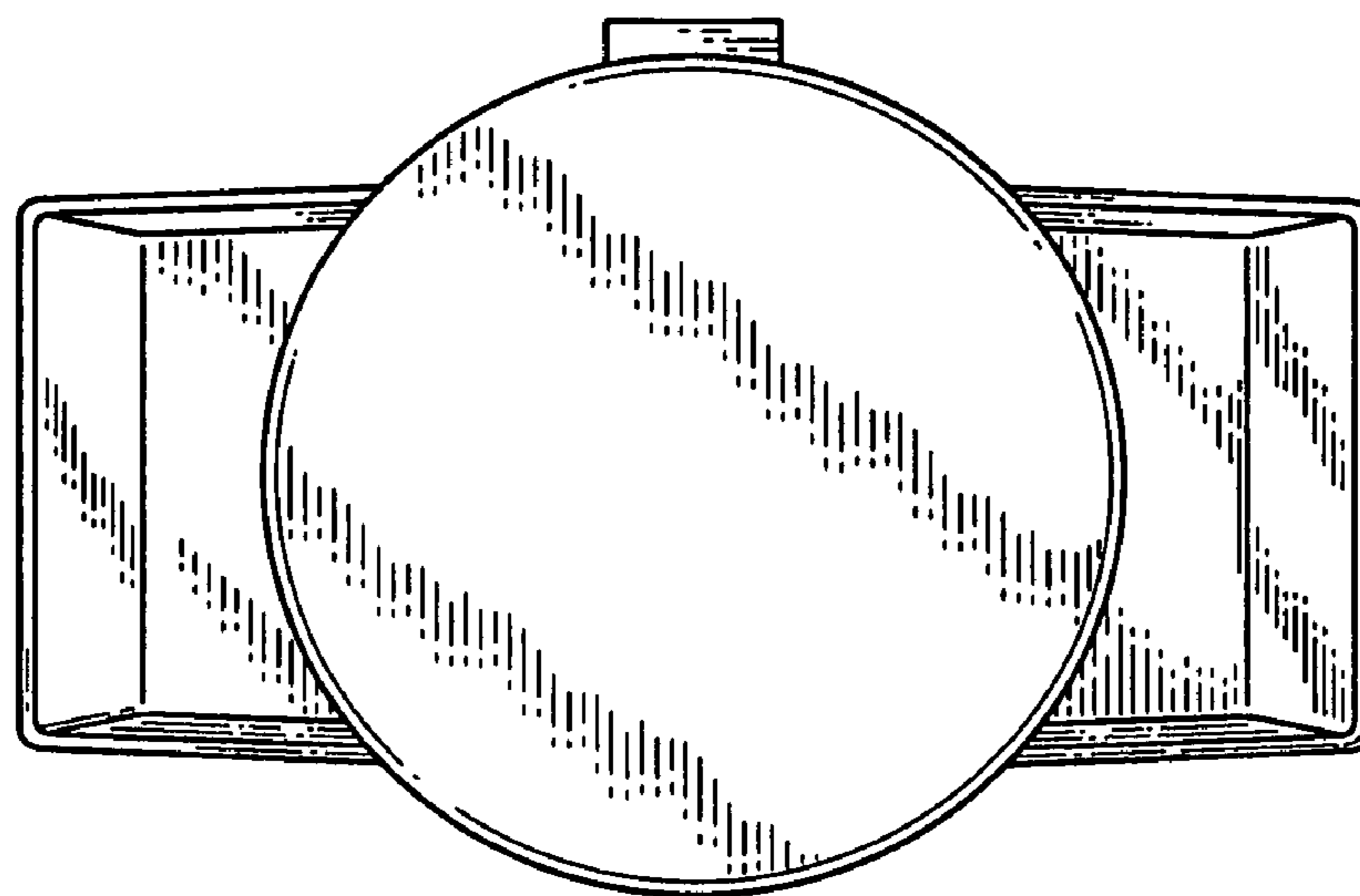


FIG. 2

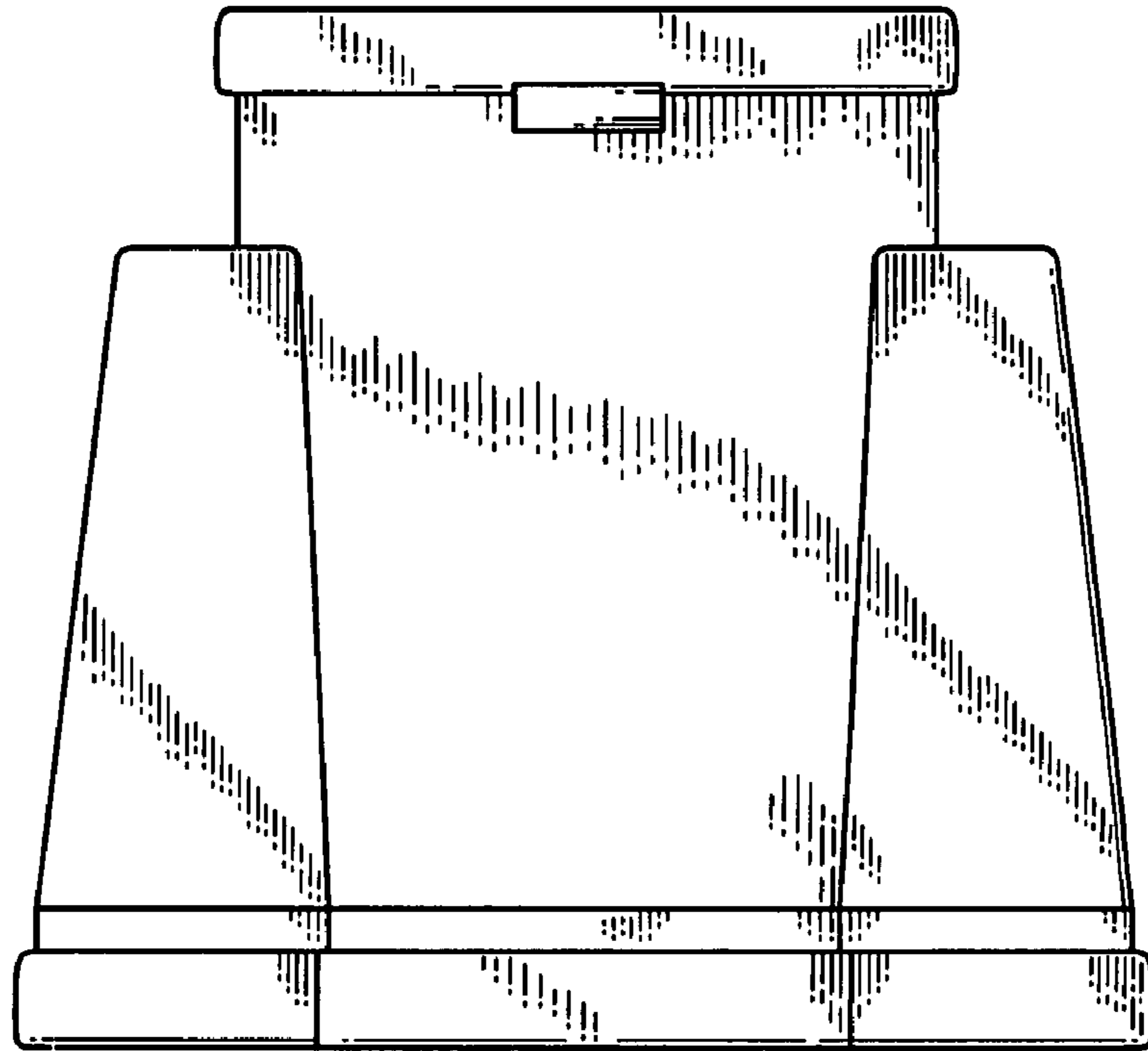


FIG. 3

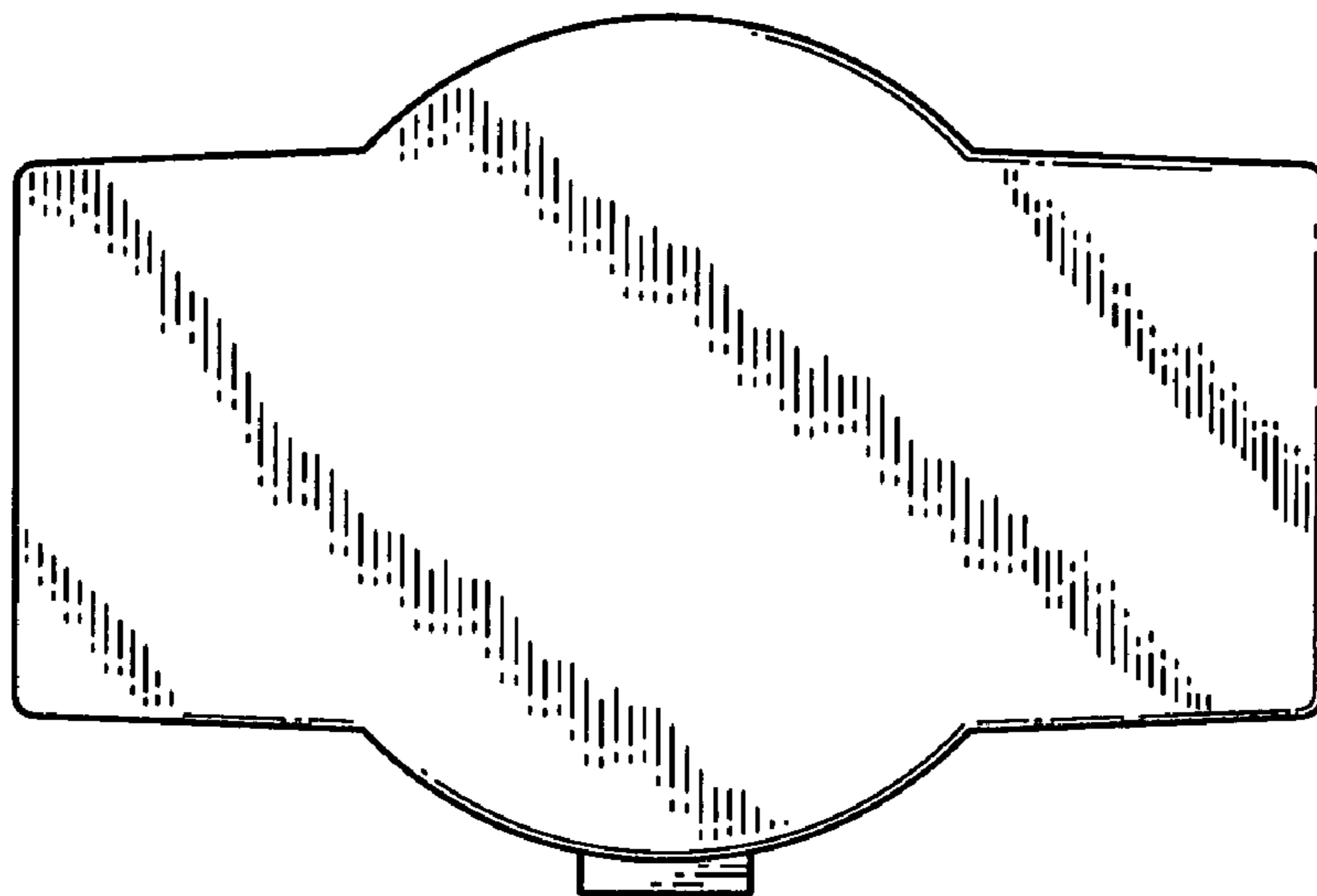


FIG. 4

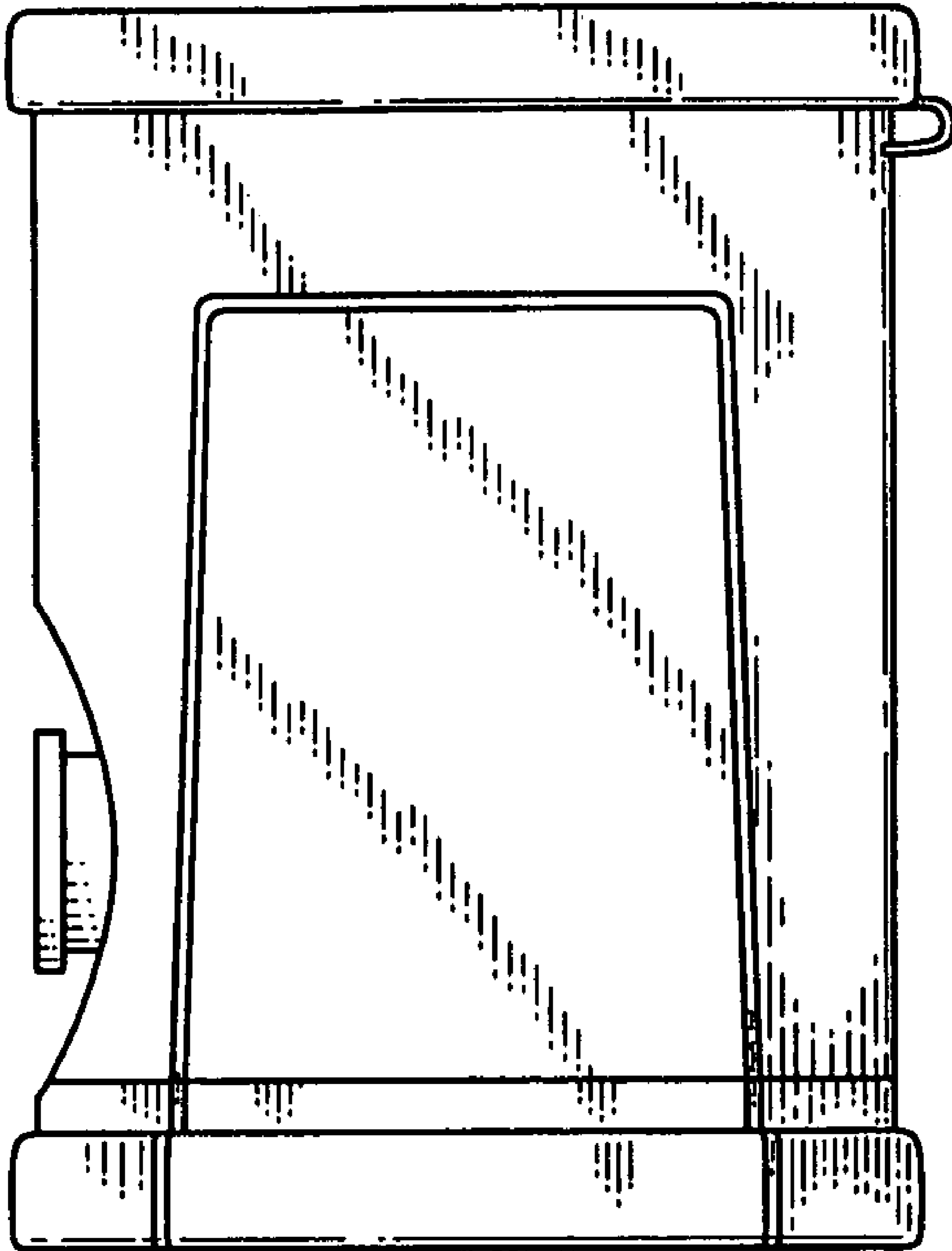


FIG. 5