



US00D559383S

(12) **United States Design Patent**
Nalagatla et al.

(10) **Patent No.:** **US D559,383 S**

(45) **Date of Patent:** **** Jan. 8, 2008**

(54) **ORAL/NASAL CANNULA**

(75) Inventors: **Anil K. Nalagatla**, Mason, OH (US);
Tommy C. Cushing, McKinney, TX (US);
Louis Sabo, Coupland, TX (US);
Lee K. Kulle, Krugerville, TX (US);
Donald L. Reynolds, II, West Chester, OH (US);
Richard W. Flaker, Fairfield, OH (US)

(73) Assignee: **Ethicon Endo-Surgery, Inc.**, Cincinnati, OH (US)

(**) Term: **14 Years**

(21) Appl. No.: **29/235,434**

(22) Filed: **Aug. 2, 2005**

(51) **LOC (8) Cl.** **29-02**

(52) **U.S. Cl.** **D24/110.5; D24/110.6**

(58) **Field of Classification Search** **D24/110, D24/110.5, 110.6; 128/207.11, 207.13, 207.14, 128/207.18, 206.11, 204.18, 204.22**

See application file for complete search history.

(56) **References Cited**

U.S. PATENT DOCUMENTS

4,915,105 A * 4/1990 Lee 128/205.27

2005/0199242 A1* 9/2005 Matula et al. 128/207.13
2006/0278232 A1* 12/2006 Nichols 128/206.11
2006/0283463 A1* 12/2006 Curti et al. 128/207.18

* cited by examiner

Primary Examiner—Ian Simmons

Assistant Examiner—Christopher Lee

(74) *Attorney, Agent, or Firm*—Verne E. Kreger

(57) **CLAIM**

The ornamental design for an oral/nasal cannula, as shown and described.

DESCRIPTION

FIG. 1 is a perspective view of a fluid connector as seen from the top, front and left sides;

FIG. 2 is a front elevation view thereof;

FIG. 3 is a rear elevation view thereof;

FIG. 4 is a top plan view thereof;

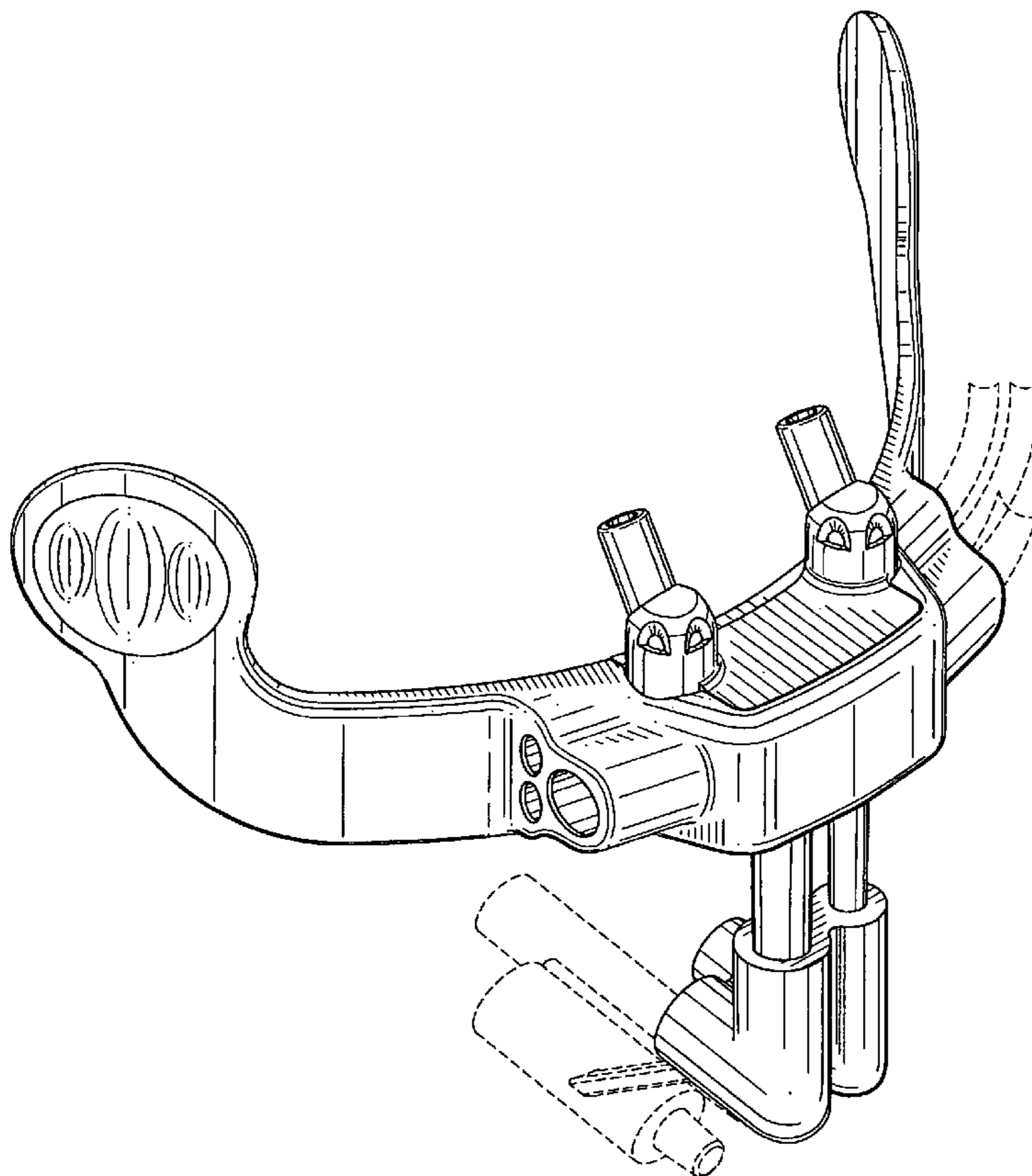
FIG. 5 is a bottom plan view thereof;

FIG. 6 is a left side elevation view thereof; and,

FIG. 7 is a right side elevation view thereof.

The broken line showing is for illustrative purposes and forms no part of the claimed design.

1 Claim, 4 Drawing Sheets



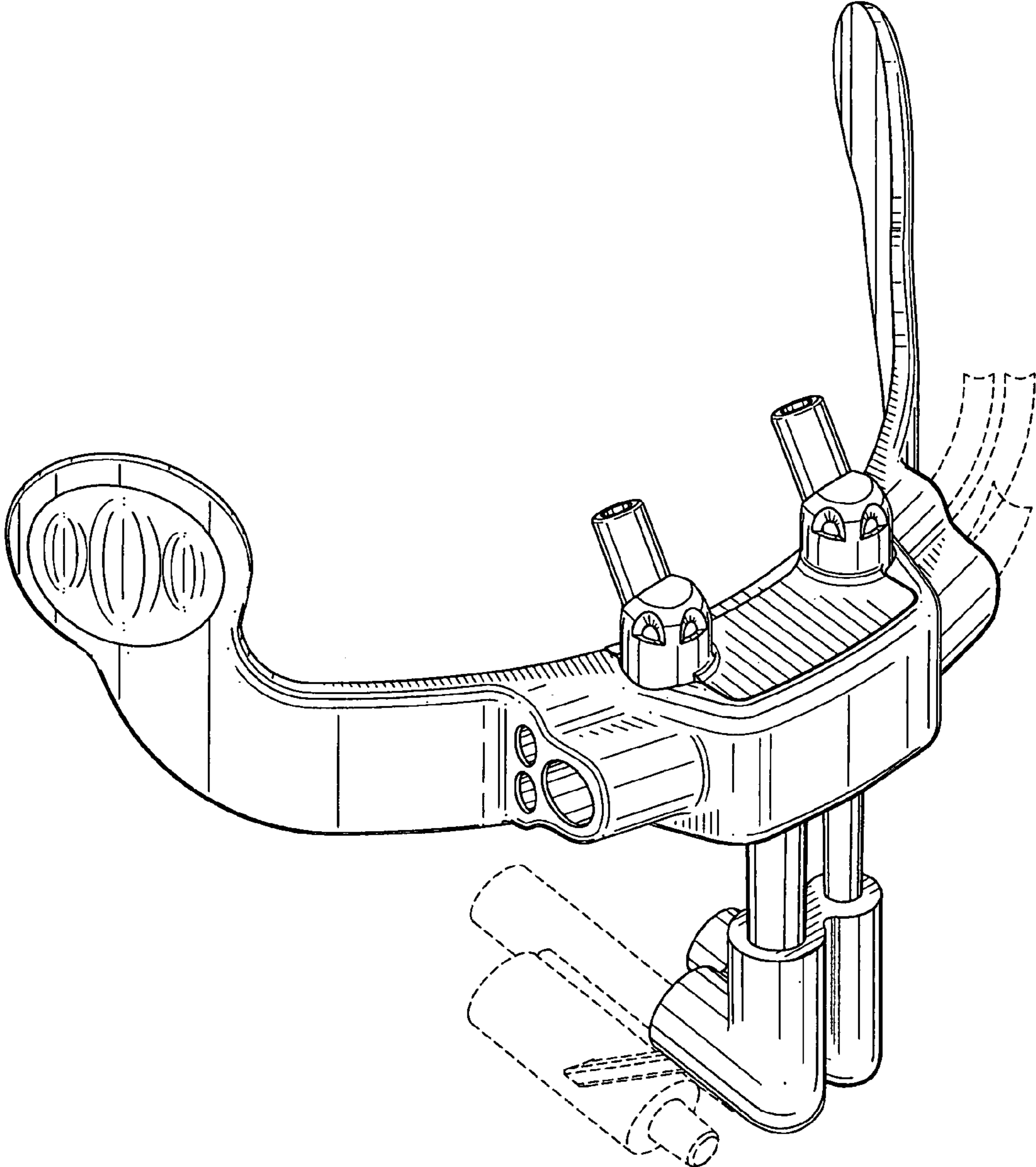


FIG. 1

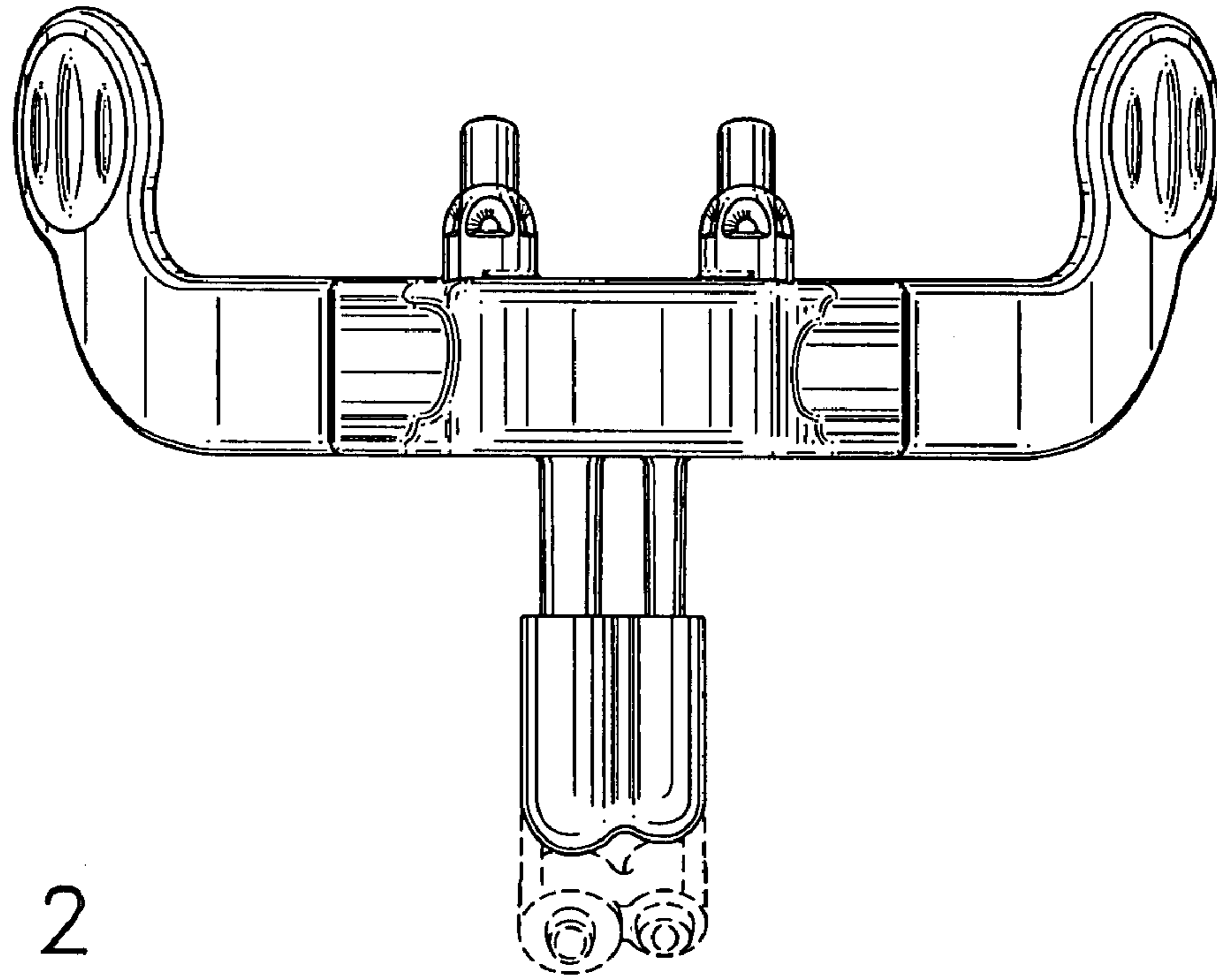


FIG. 2

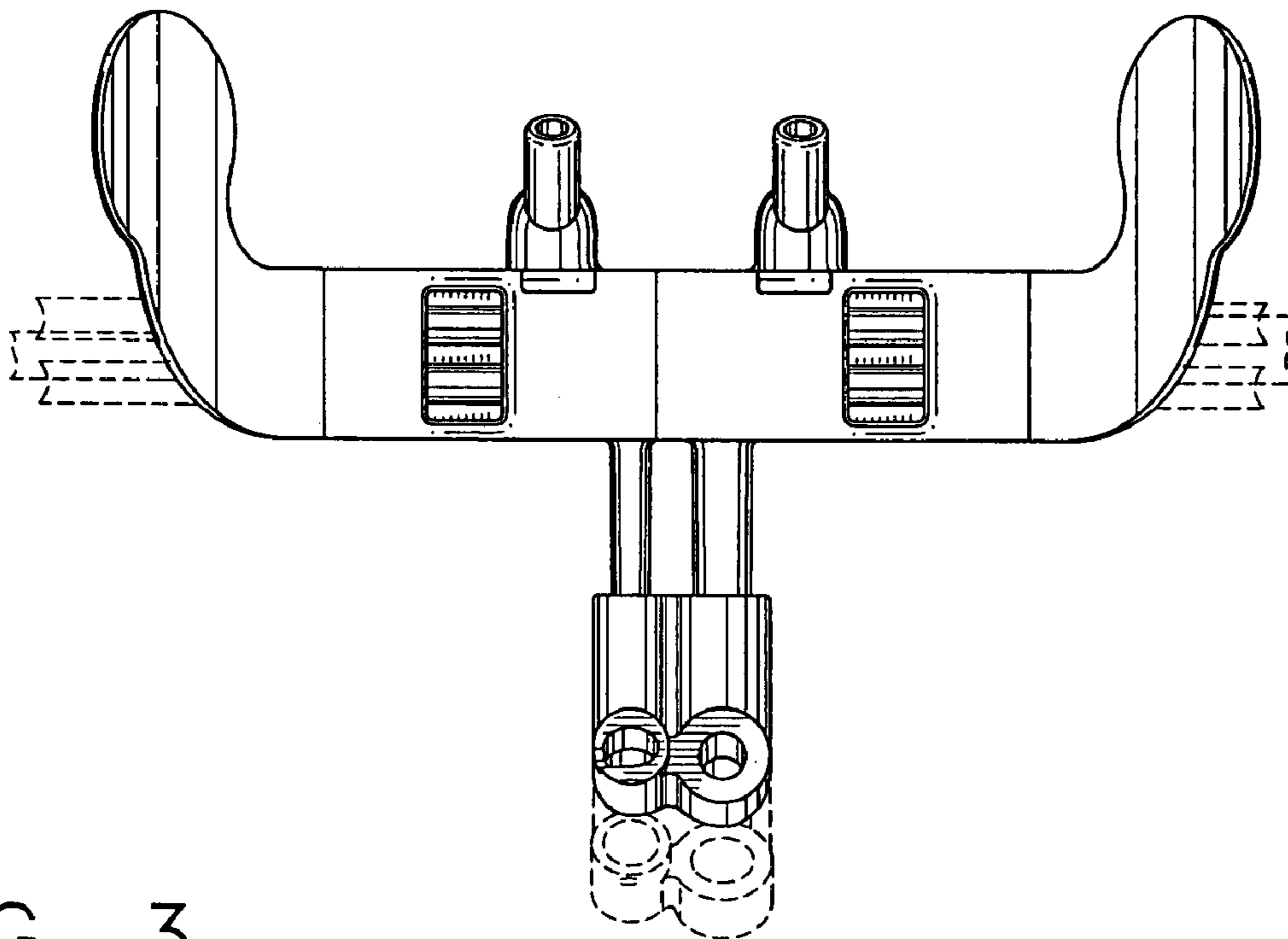


FIG. 3

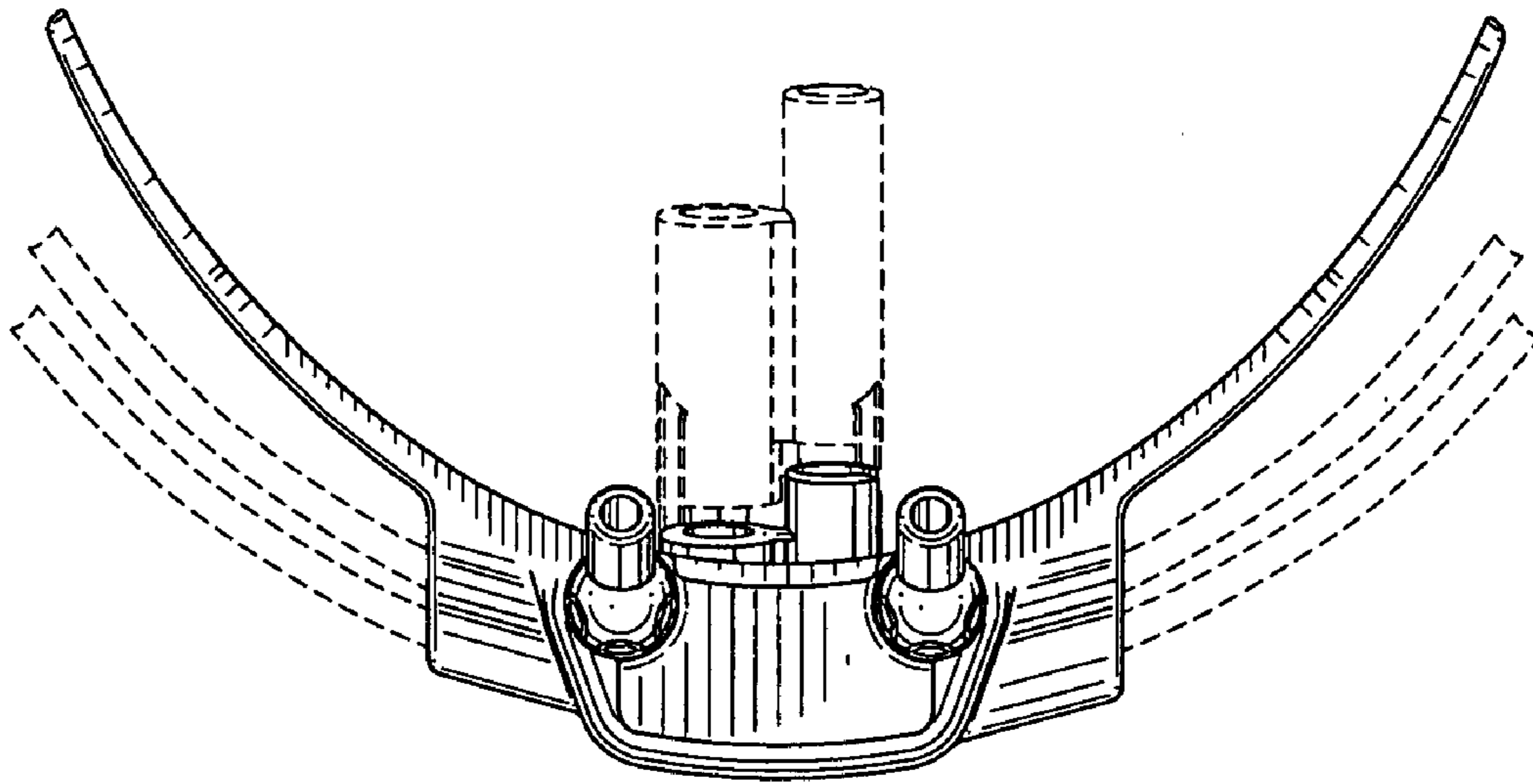


FIG. 4

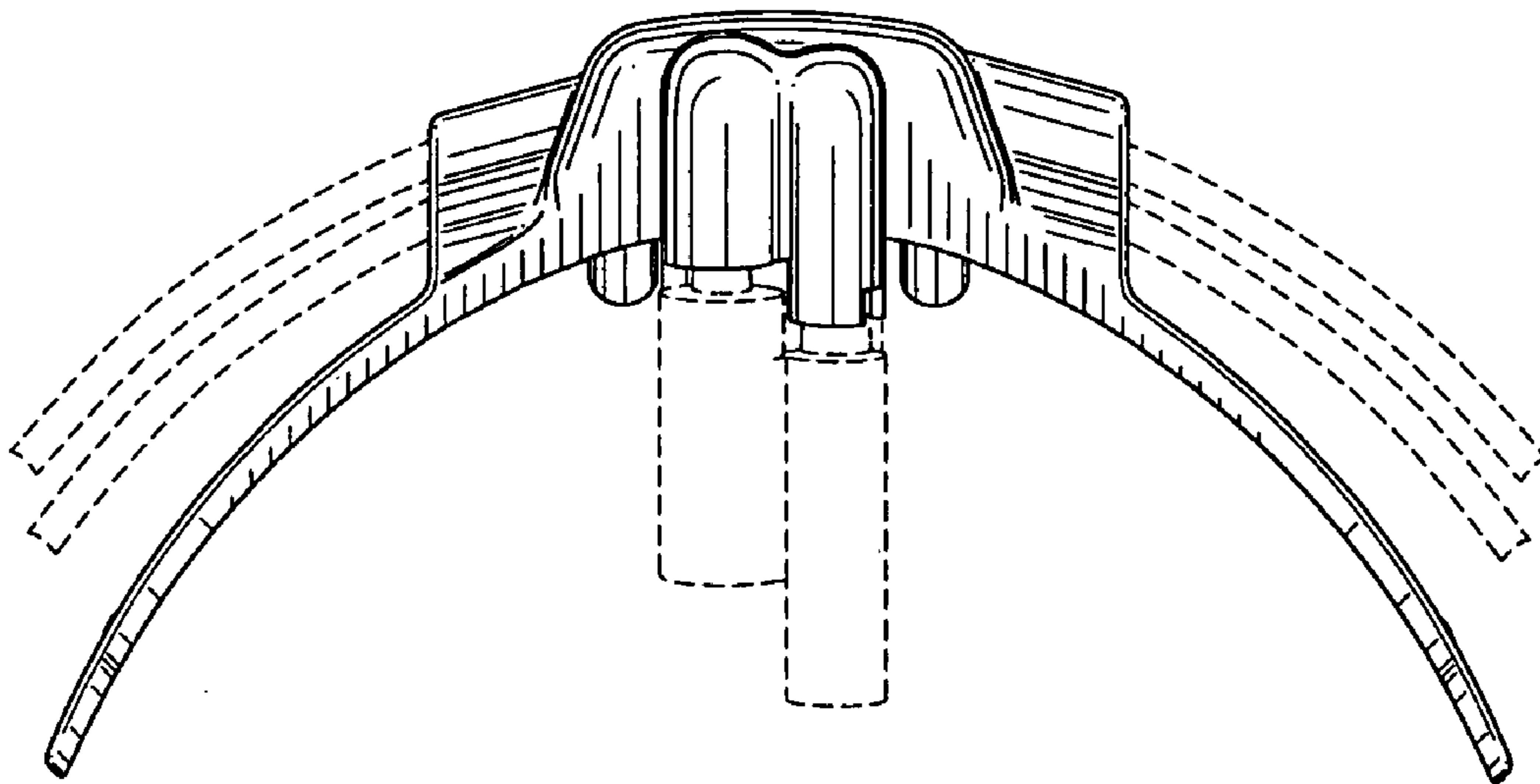


FIG. 5

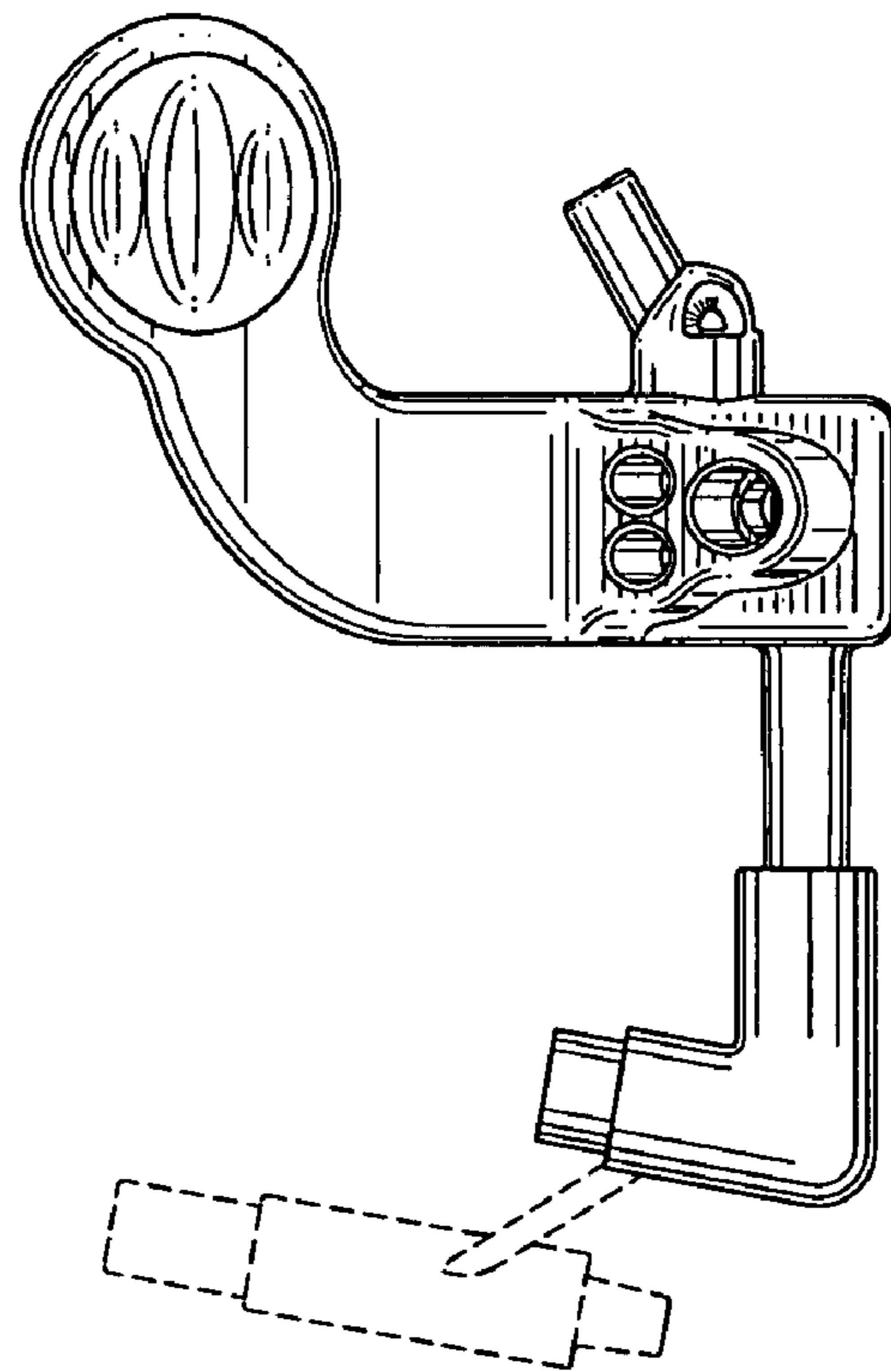


FIG. 6

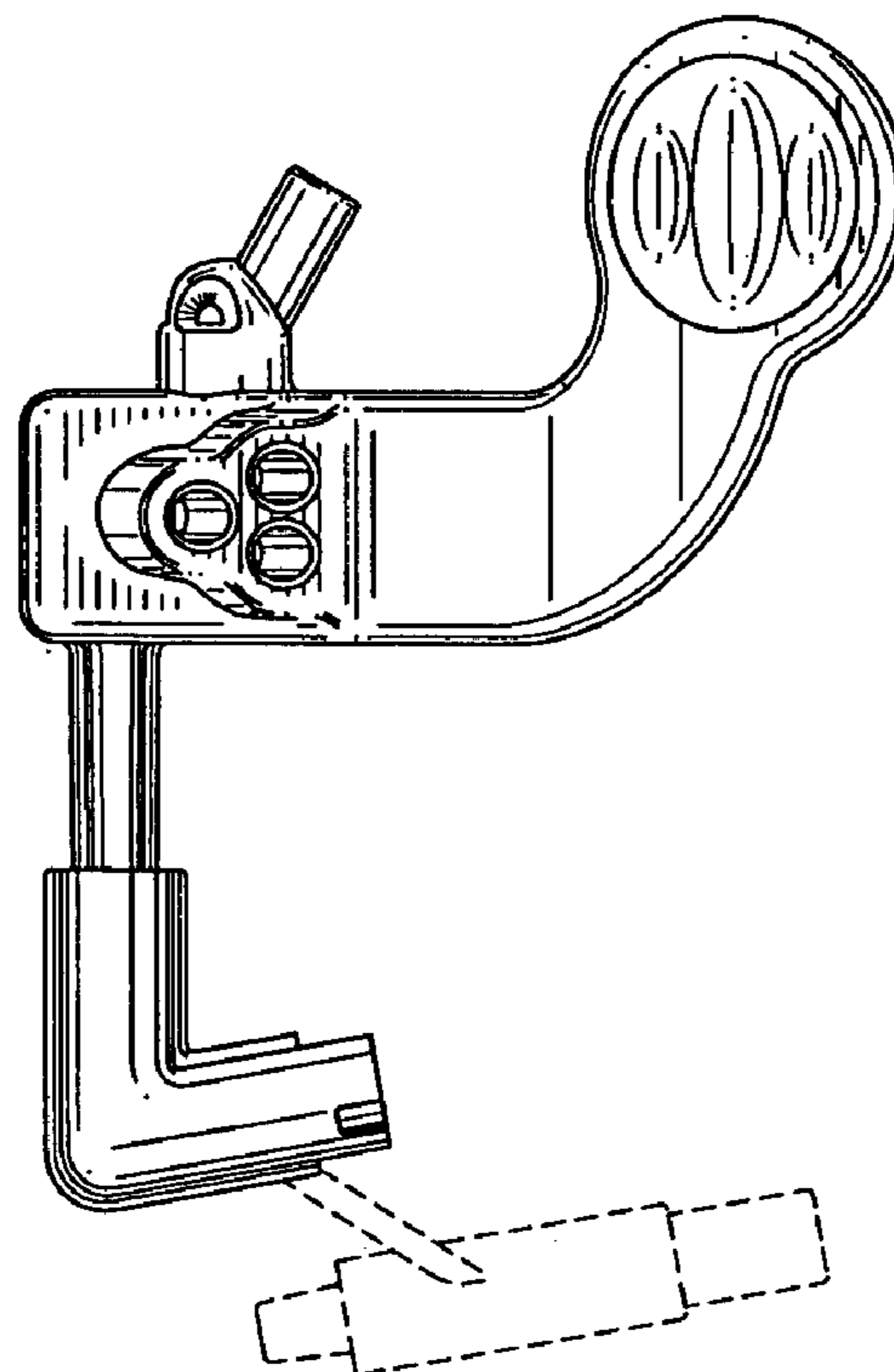


FIG. 7