

US00D559380S

(12) **United States Design Patent**  
**Shapiro**

(10) **Patent No.:** **US D559,380 S**

(45) **Date of Patent:** **\*\* Jan. 8, 2008**

(54) **BODY FOR A COMPACT DESK TOP FAN**

(75) Inventor: **Barry Shapiro**, Doylestown, PA (US)

(73) Assignee: **Lasko Holdings, Inc.**, Wilmington, DE (US)

(\*\*) Term: **14 Years**

(21) Appl. No.: **29/286,425**

(22) Filed: **May 4, 2007**

(51) **LOC (8) Cl.** ..... **23-04**

(52) **U.S. Cl.** ..... **D23/411**

(58) **Field of Classification Search** ..... D23/382,  
D23/381, 332, 370, 411, 412; 416/246 R,  
416/247 R, 244 R

See application file for complete search history.

(56) **References Cited**

**U.S. PATENT DOCUMENTS**

2,950,859 A \* 8/1960 Kirk ..... 417/363  
D426,296 S \* 6/2000 Blateri ..... D23/382

\* cited by examiner

*Primary Examiner*—Lisa Lichtenstein

(74) *Attorney, Agent, or Firm*—Martin Fruitman

(57) **CLAIM**

The ornamental design of a body for a compact desk top fan, as shown and described.

**DESCRIPTION**

FIG. 1 is a right side front perspective view of a body for a compact desk top fan showing my new design;

FIG. 2 is a rear perspective view thereof;

FIG. 3 is a front elevation view thereof;

FIG. 4 is a right side elevation view thereof;

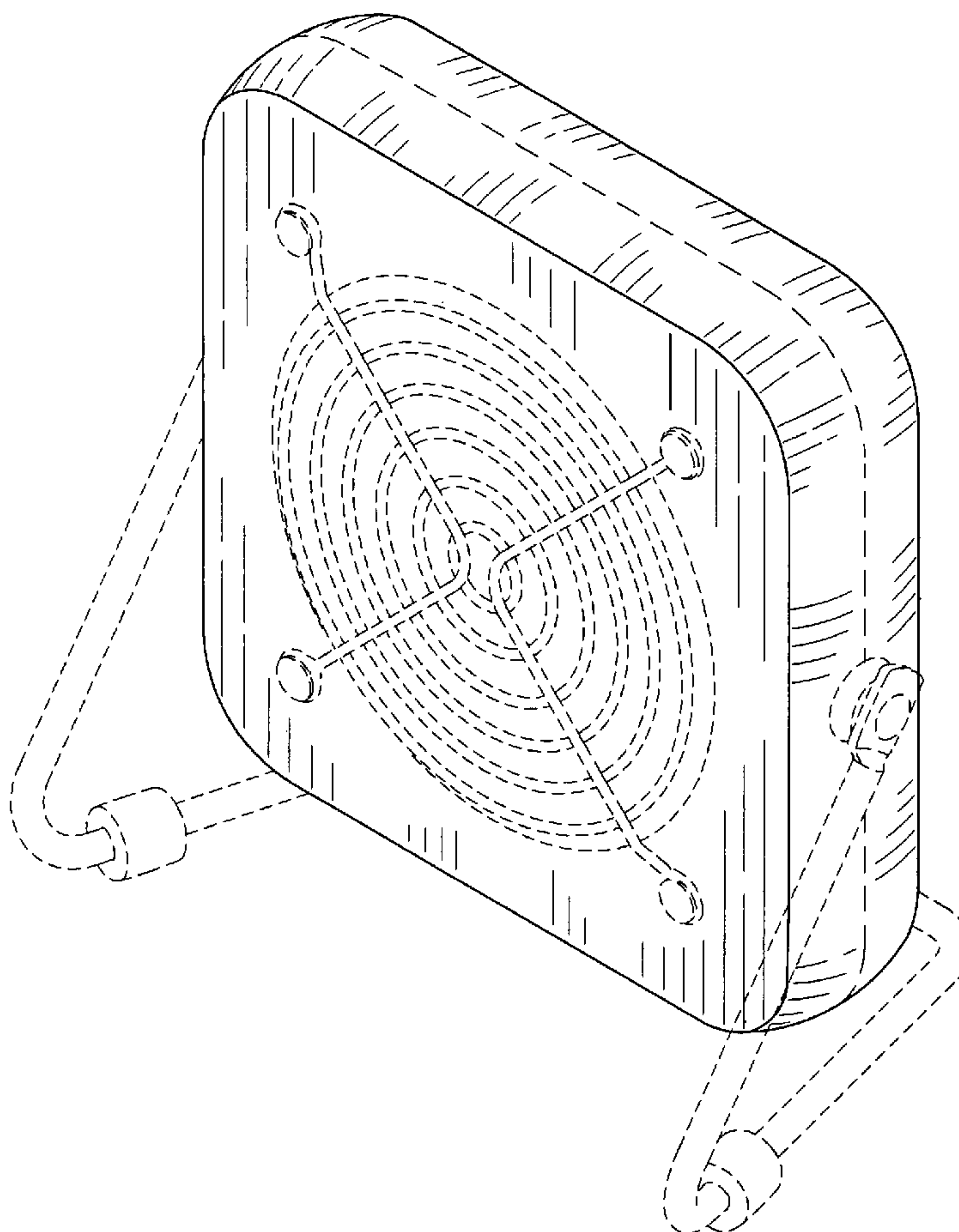
FIG. 5 is a left side elevation view thereof;

FIG. 6 is a rear elevation view thereof; and,

FIG. 7 is a top plan view thereof.

The broken line showing of a grill, button and a stand is included for the purpose of illustrating environmental structure and forms no part of the claimed design.

**1 Claim, 7 Drawing Sheets**



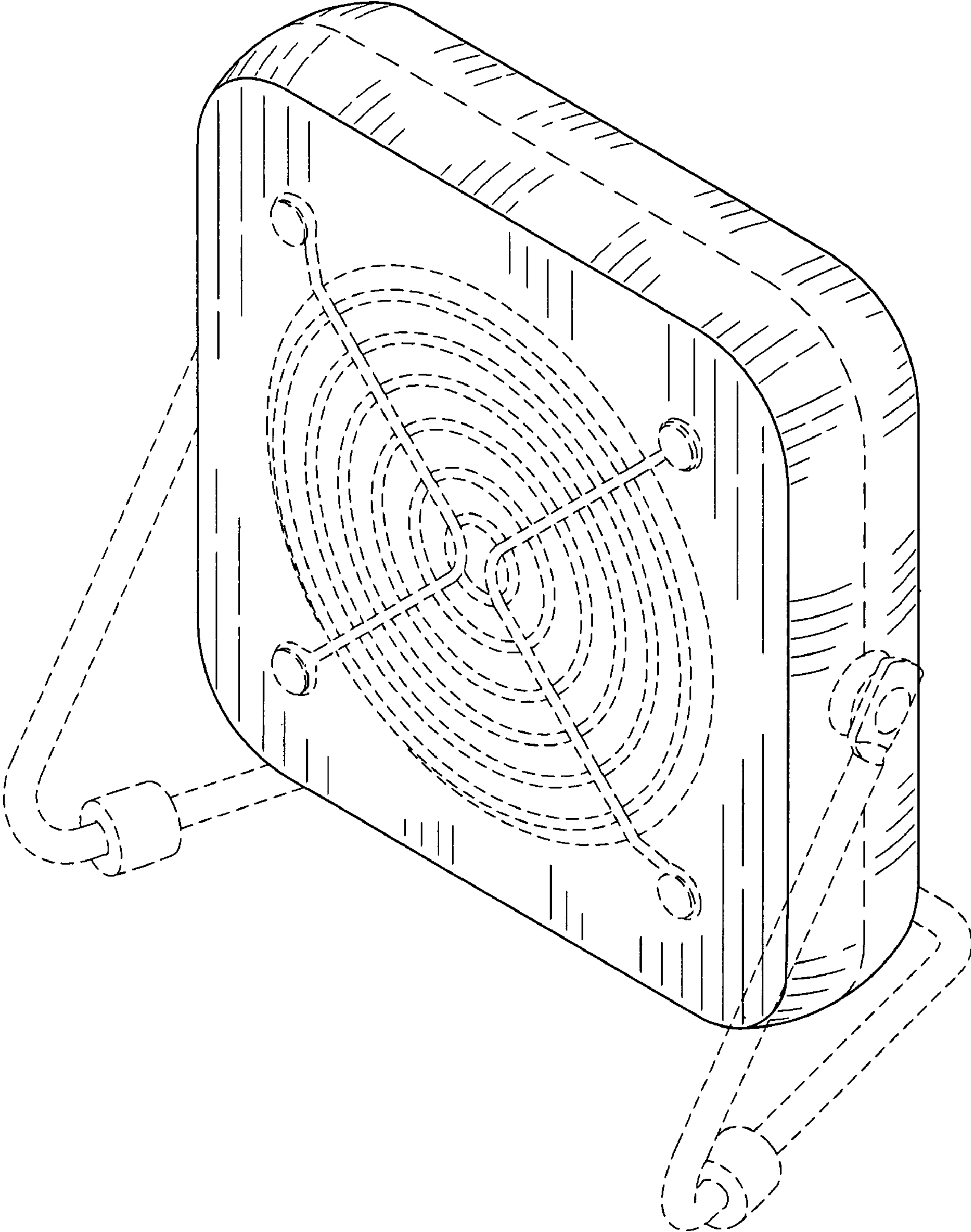


FIG. 1

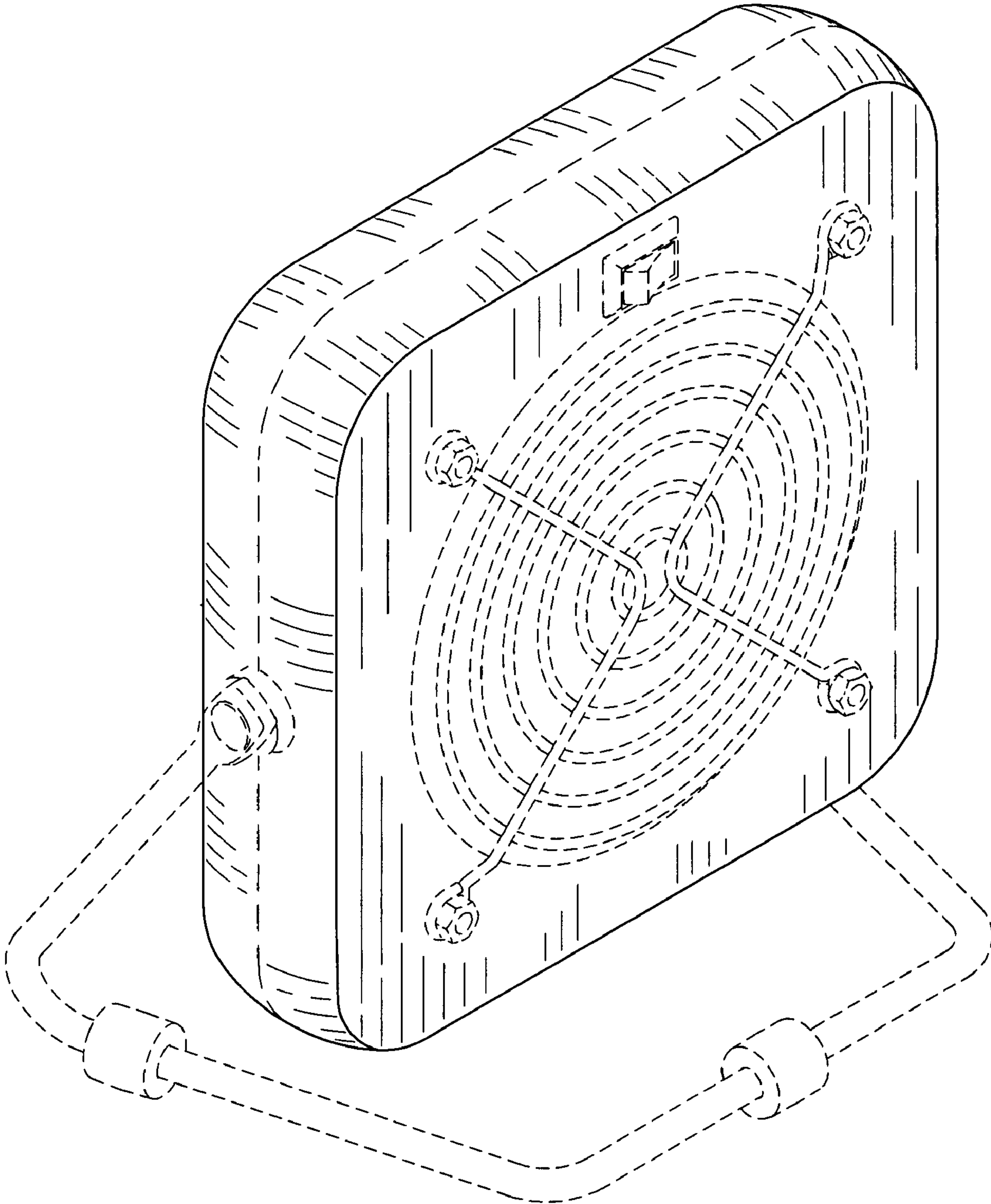


FIG. 2

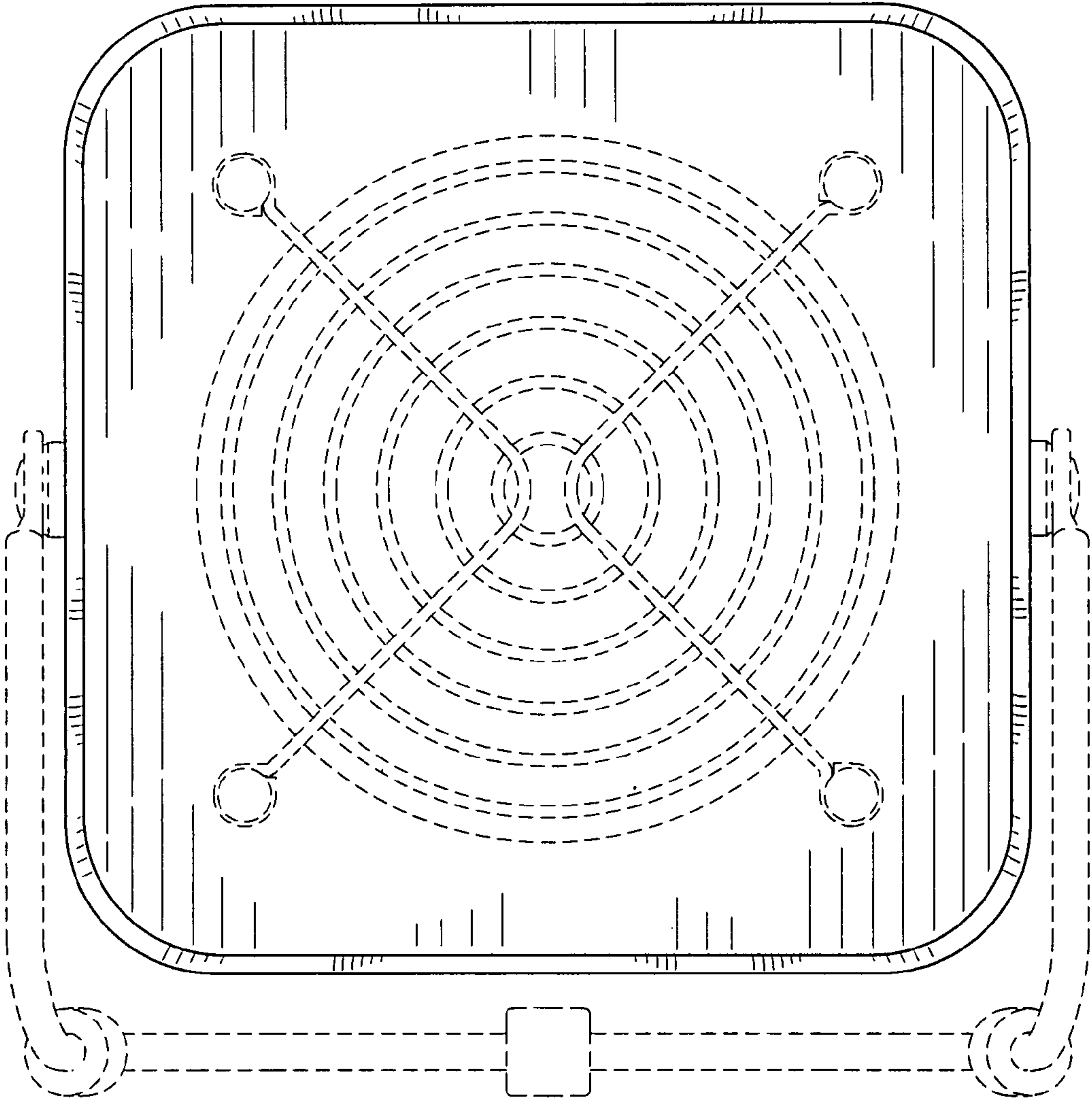
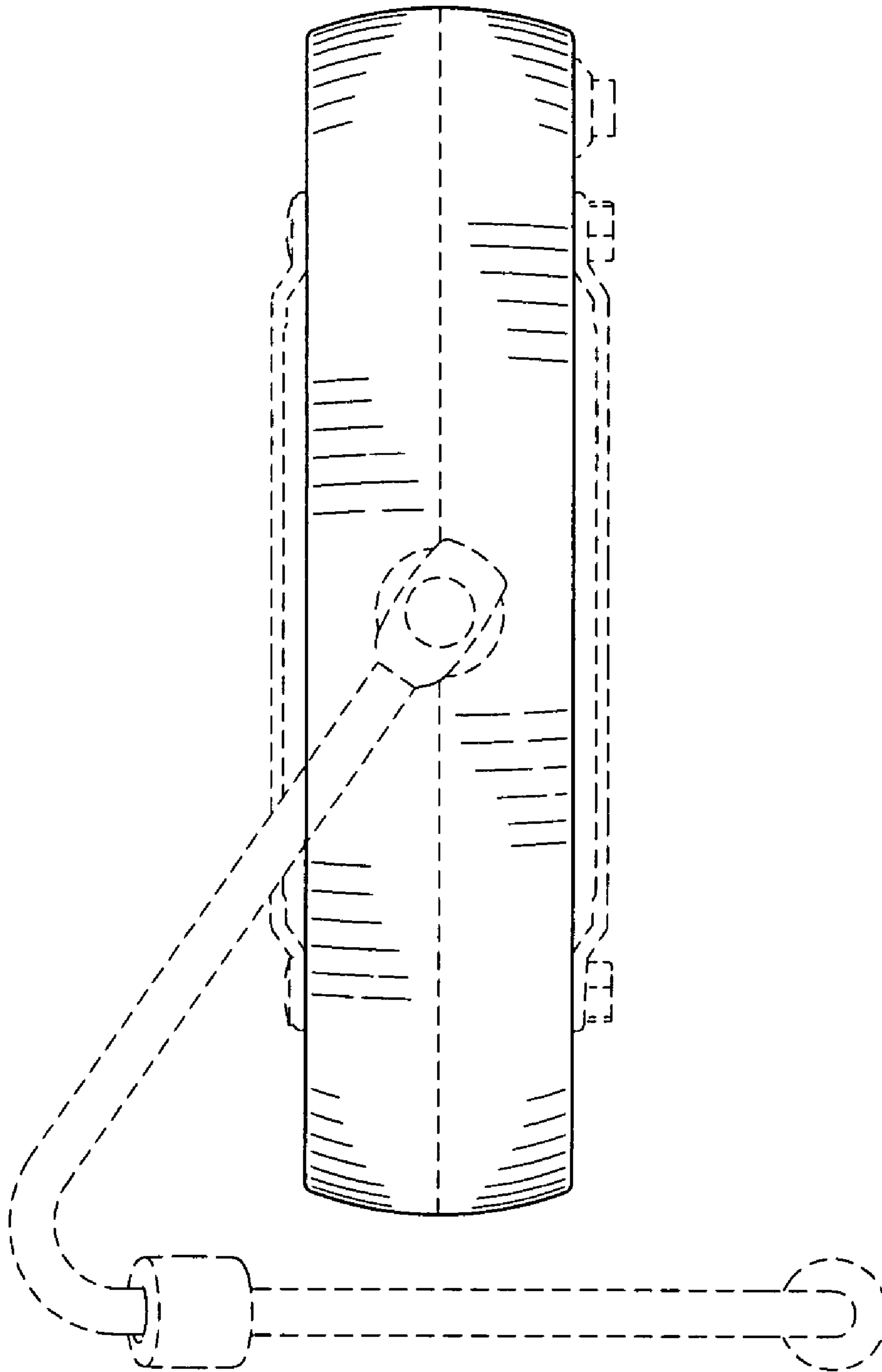
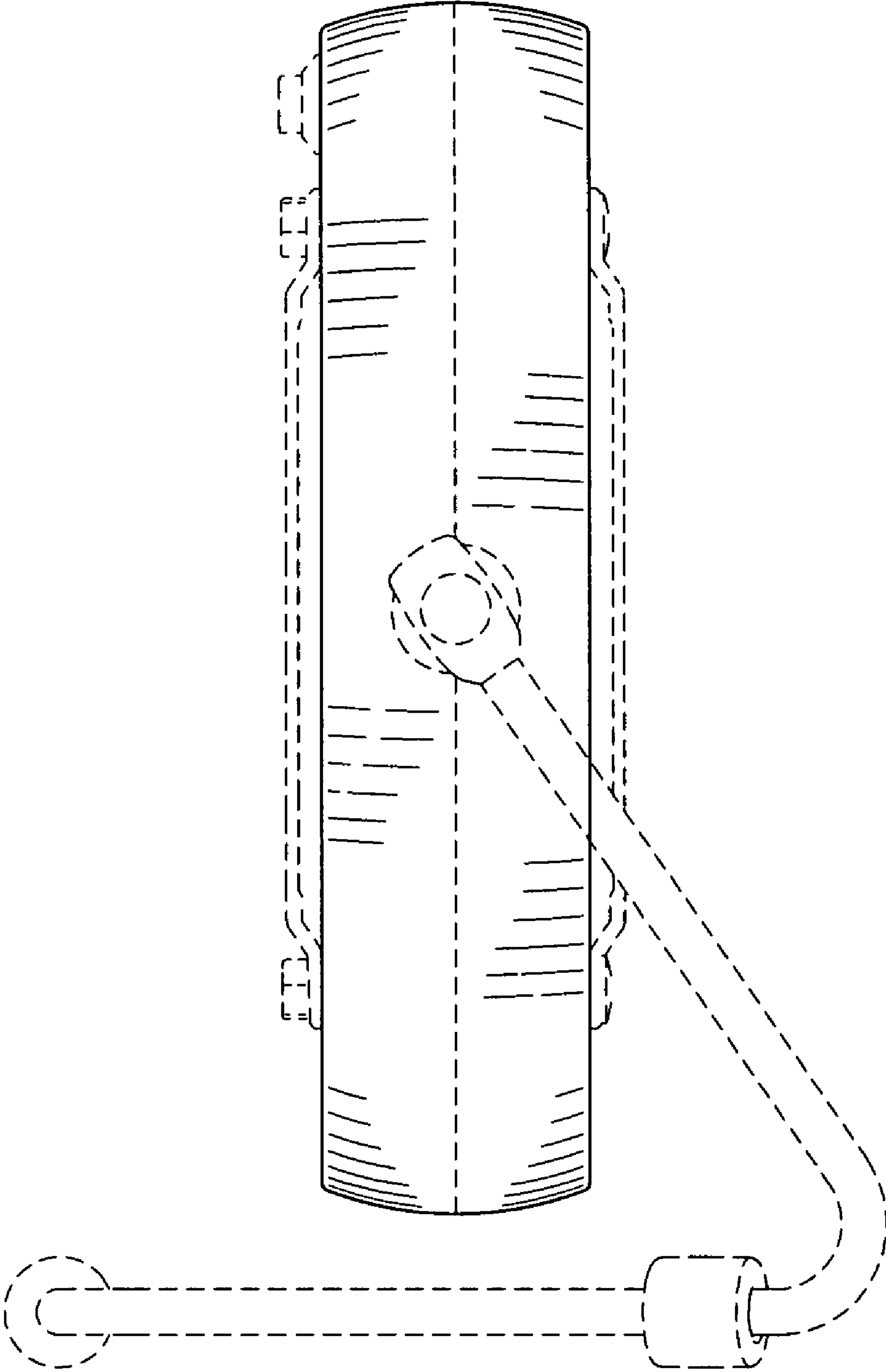


FIG. 3





**FIG. 4**



**FIG. 5**

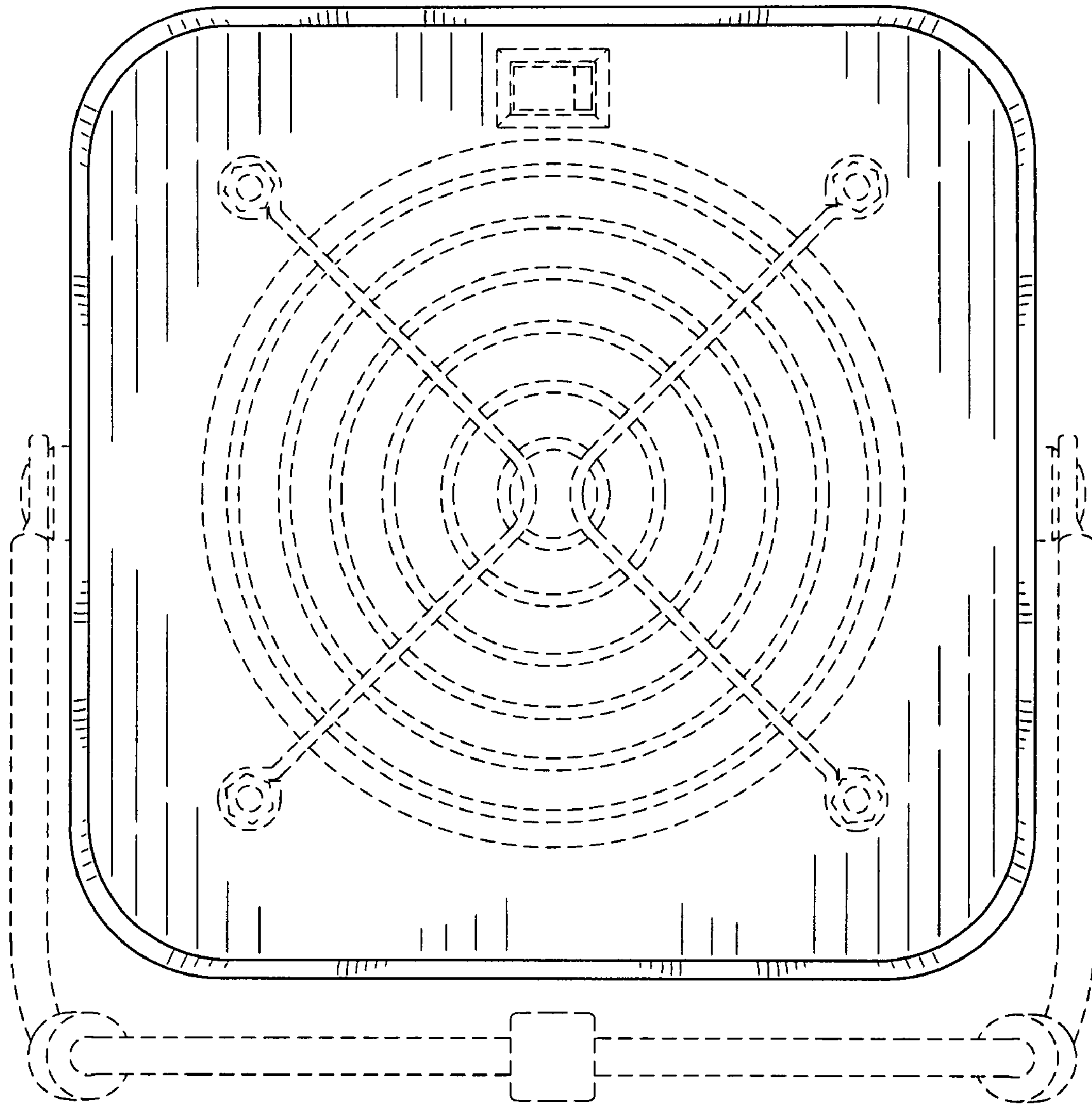


FIG. 6

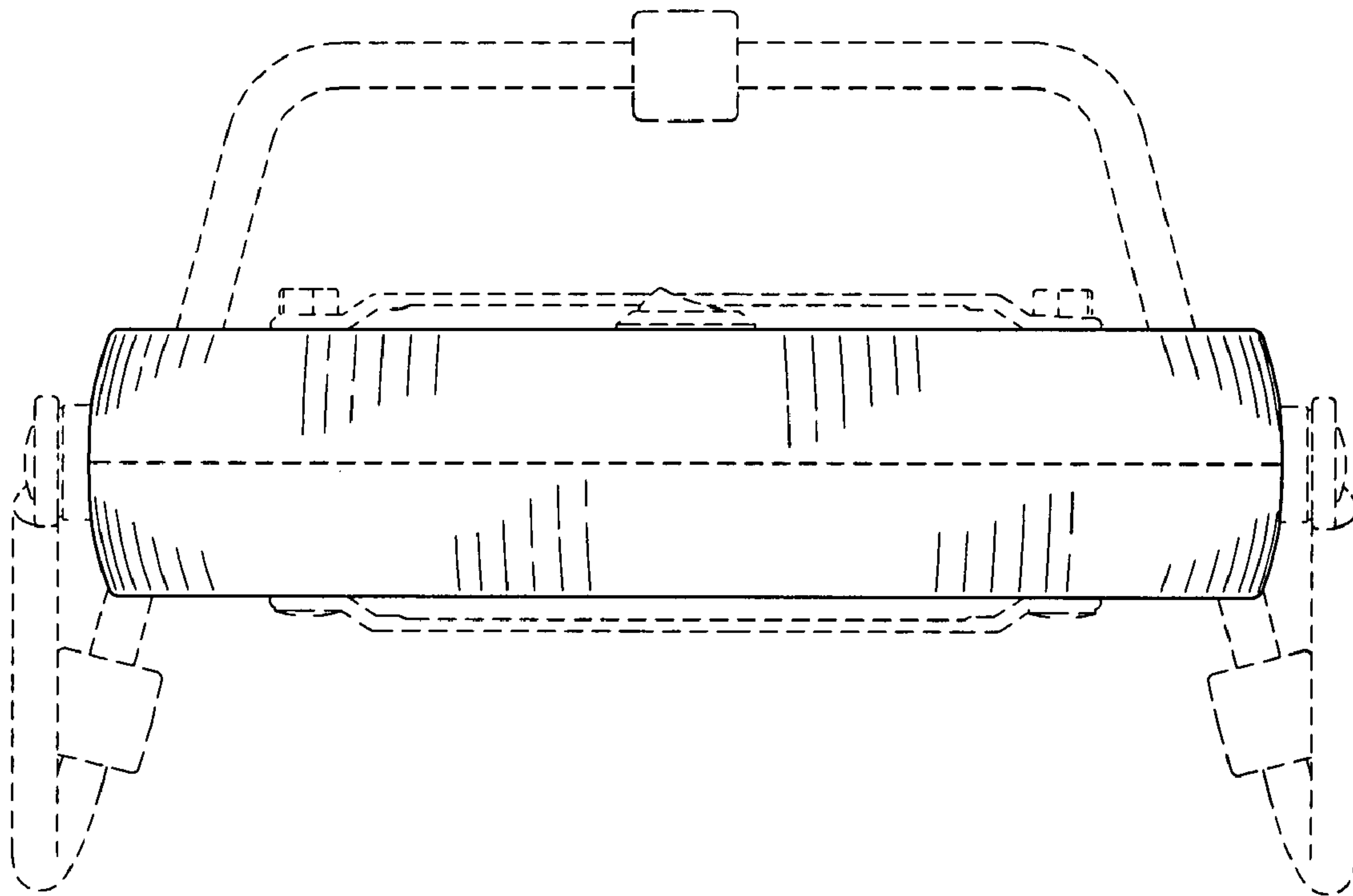


FIG. 7