



US00D559378S

(12) **United States Design Patent**
Frampton et al.

(10) **Patent No.:** **US D559,378 S**
(45) **Date of Patent:** **** Jan. 8, 2008**

(54) **FAN BLADE HOLDER**

D525,355 S 7/2006 Hidalgo
D525,700 S 7/2006 Ertze

(75) Inventors: **Tania N. Frampton**, Zionsville, IN (US); **Keith R. Schoene**, Westfield, IN (US)

* cited by examiner

Primary Examiner—Lisa Lichtenstein

(73) Assignee: **Fanimation, Inc.**, Zionsville, IN (US)

(74) *Attorney, Agent, or Firm*—Maginot, Moore & Beck

(**) Term: **14 Years**

(57) **CLAIM**

(21) Appl. No.: **29/273,133**

The ornamental design for a fan blade holder, as shown and described.

(22) Filed: **Feb. 27, 2007**

DESCRIPTION

(51) **LOC (8) Cl.** **23-04**

FIG. 1 is a top elevational view of a fan blade holder showing our new design;

(52) **U.S. Cl.** **D23/411**

FIG. 2 is a bottom elevational view showing the design for the fan blade holder of FIG. 1;

(58) **Field of Classification Search** D23/377, D23/379, 385, 411, 413; 416/5
See application file for complete search history.

FIG. 3 is a left side elevational view showing the design for the fan blade holder of FIG. 1;

(56) **References Cited**

U.S. PATENT DOCUMENTS

FIG. 4 is a right side elevational view showing the design for the fan blade holder of FIG. 1;

D263,498 S	3/1982	Markowitz	
D271,134 S	10/1983	Yung	
D297,456 S	8/1988	Pearce	
D376,004 S	11/1996	Tsuji	
D377,681 S	1/1997	Jaspers-Fayer	
D402,360 S	12/1998	Jasper-Fayer	
D404,480 S	1/1999	Liu	
D406,332 S *	3/1999	Liu D23/411
D445,892 S	7/2001	Hsieh	
D464,132 S	10/2002	Campbell	
D477,395 S	7/2003	Thomas, Jr.	
D486,220 S	2/2004	Hsieh	
D510,430 S	10/2005	Tai	
D522,131 S	5/2006	Dye	
D523,136 S	6/2006	Chen	
D523,547 S	6/2006	Chen	
D524,931 S	7/2006	Wang	

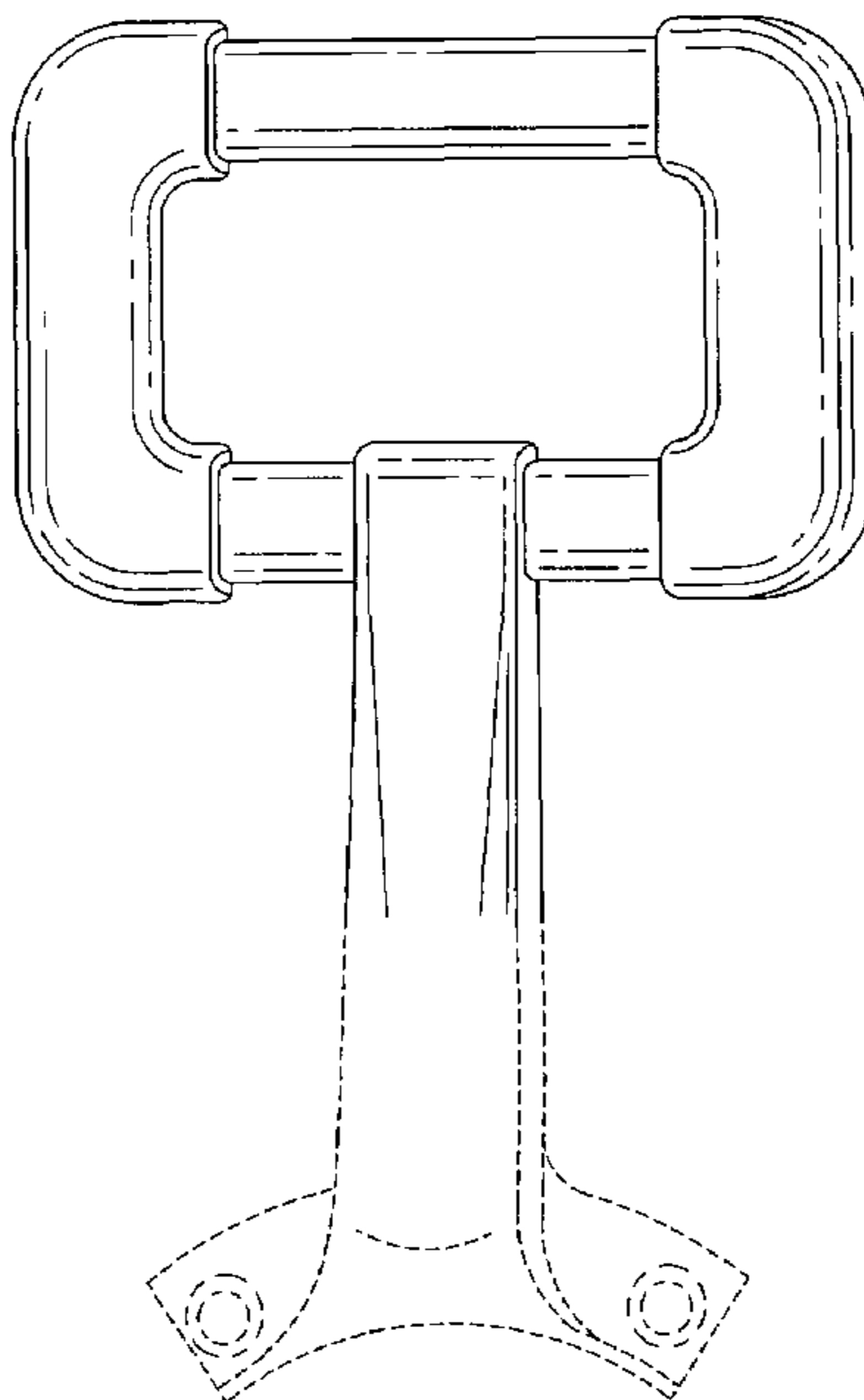
FIG. 5 is a front elevational view showing the design for the fan blade holder of FIG. 1;

FIG. 6 is a rear elevational view showing the design for the fan blade holder of FIG. 1; and,

FIG. 7 is top perspective view showing the design for the fan blade holder of FIG. 1.

The broken line showing of the coupling portion, the fastener bosses, the contour lining on the bottom side of the blade holder and the fan blade fragment to which the fan blade holder is coupled is included for the purpose of illustrating environmental structure and forms no part of the claimed design.

1 Claim, 6 Drawing Sheets



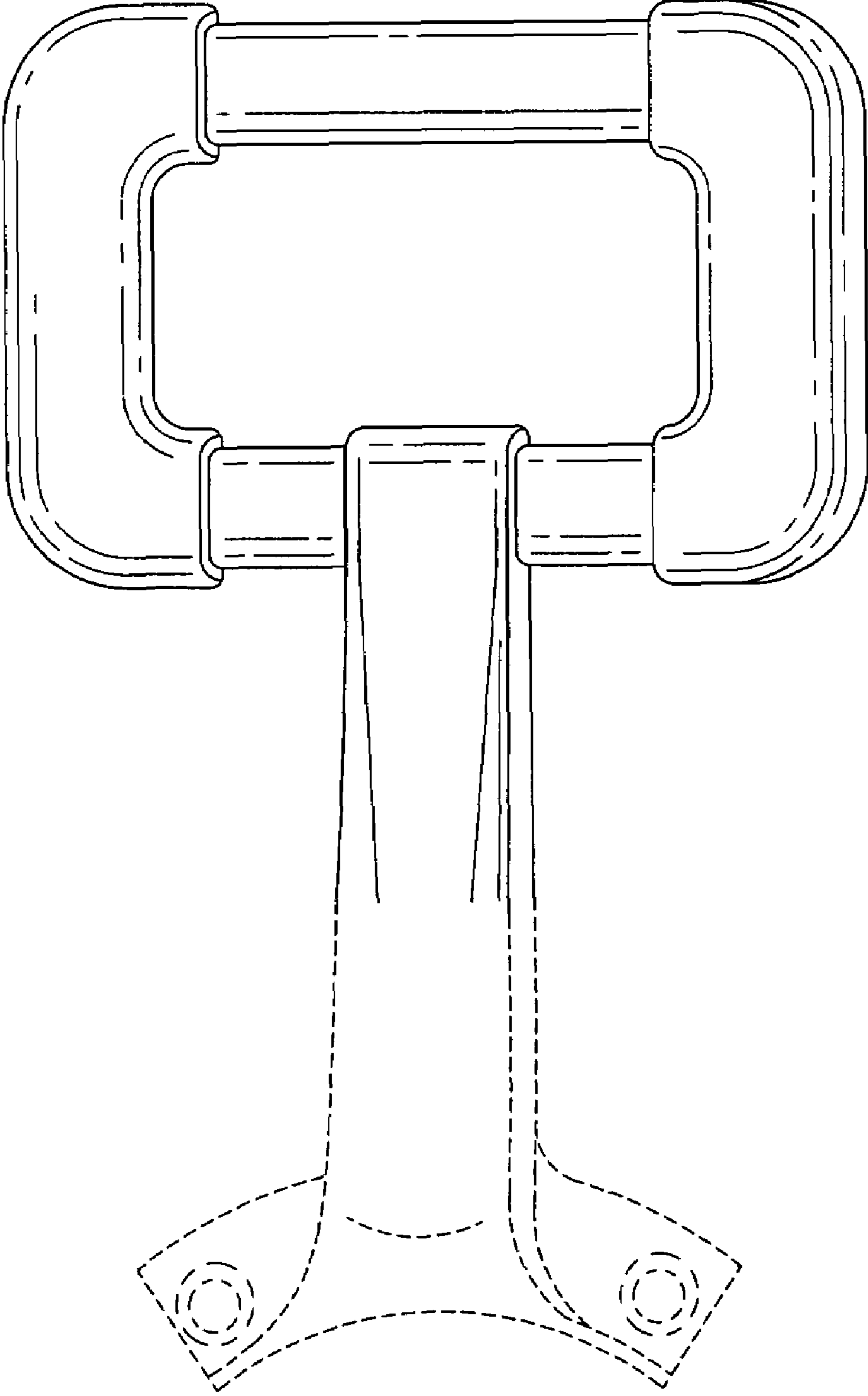


Fig. 1

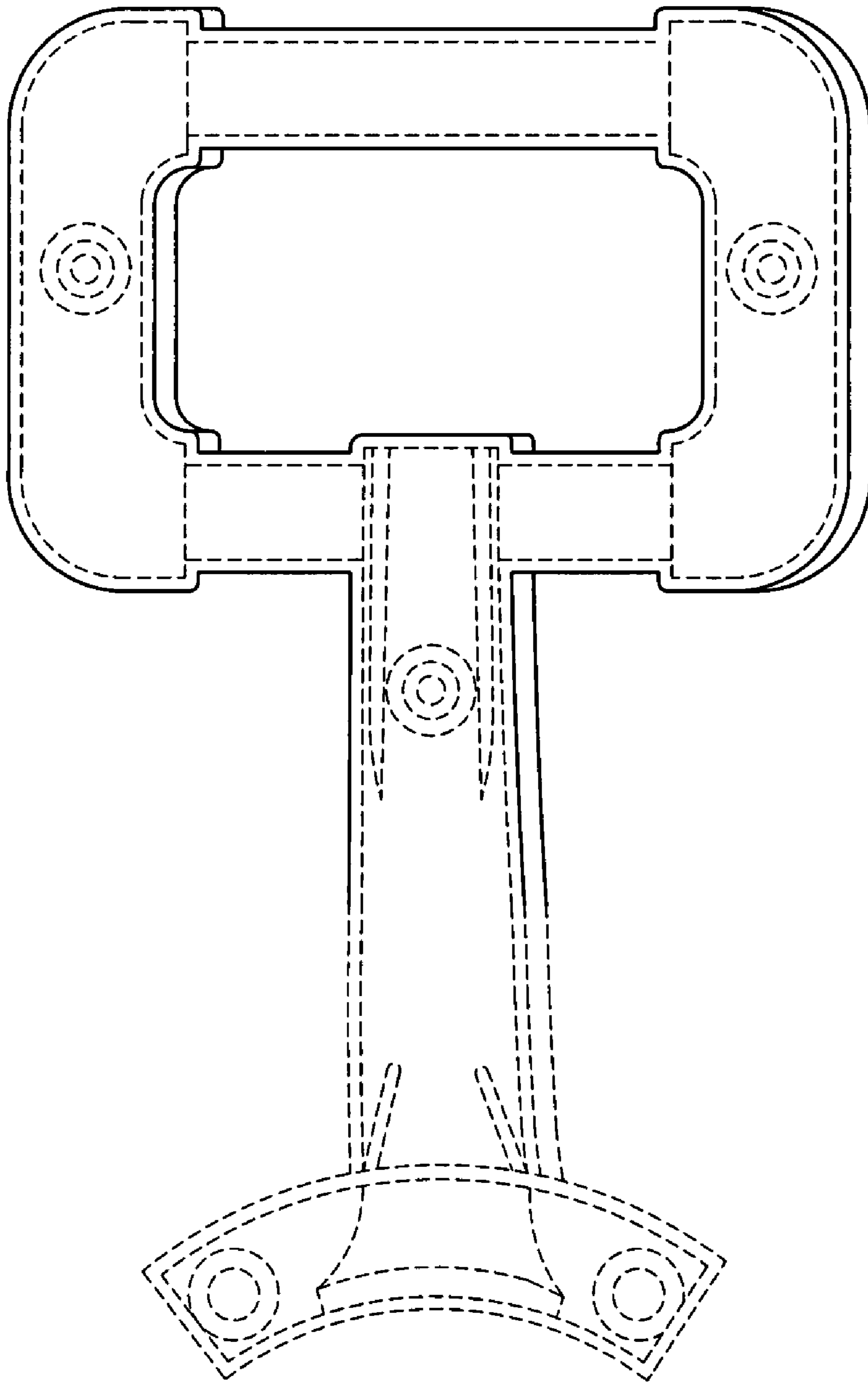


Fig. 2

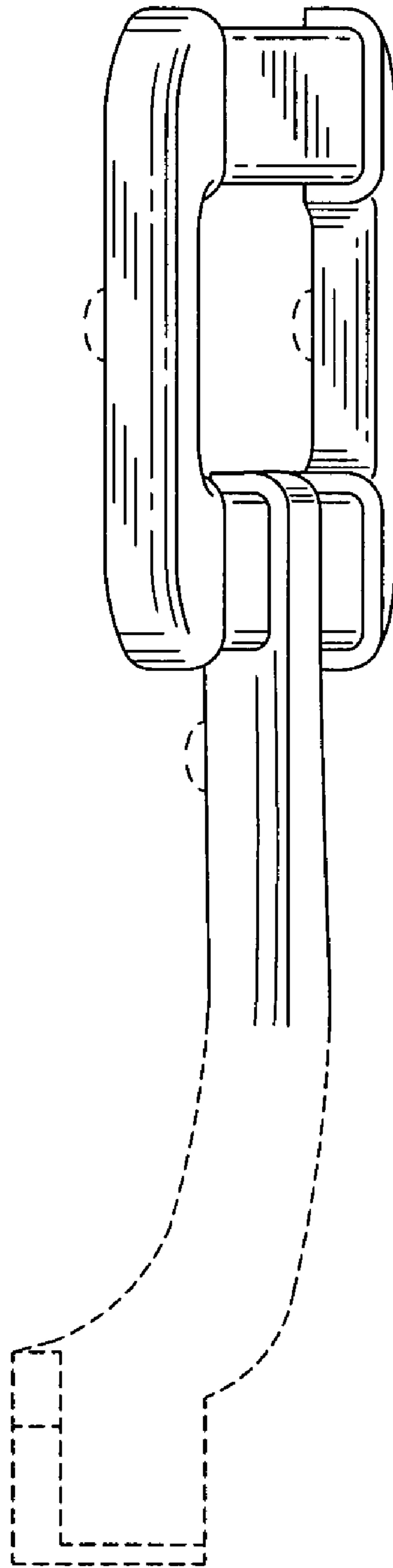


Fig. 3

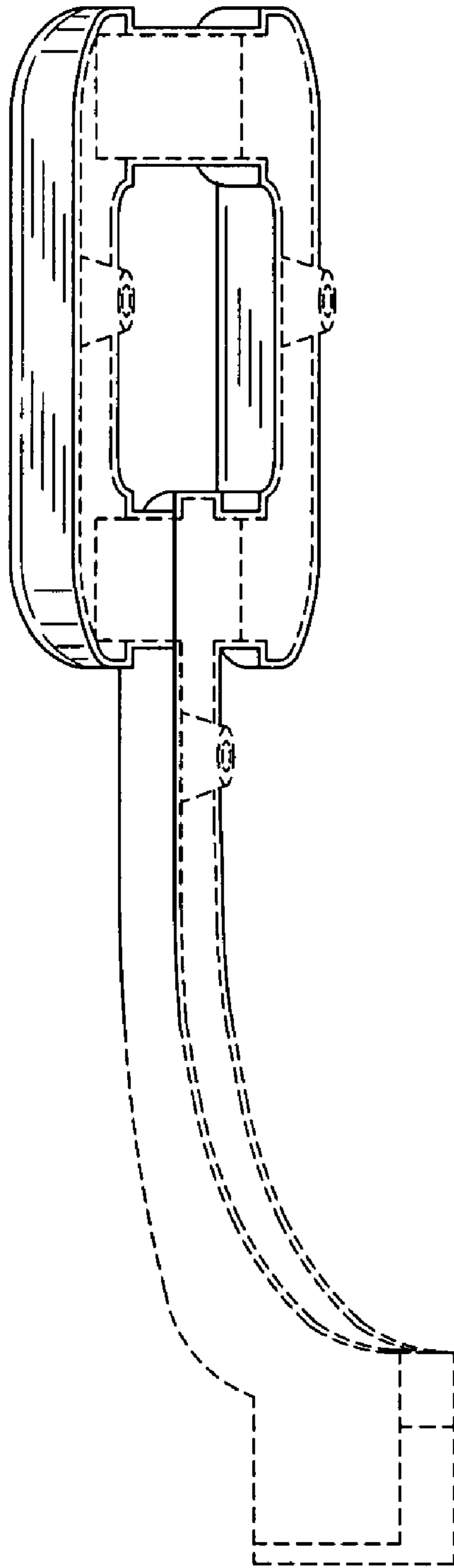


Fig. 4

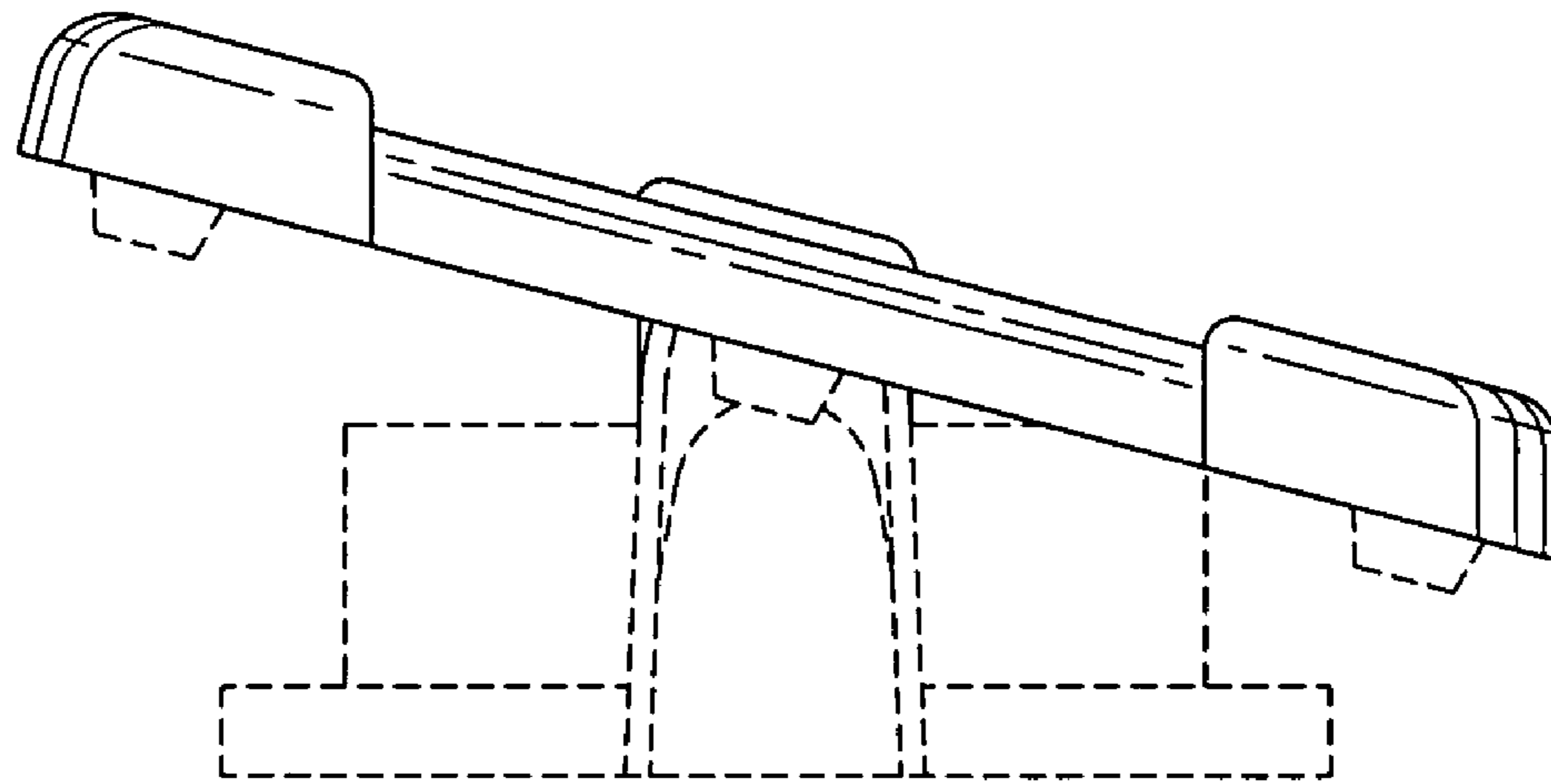


Fig. 5

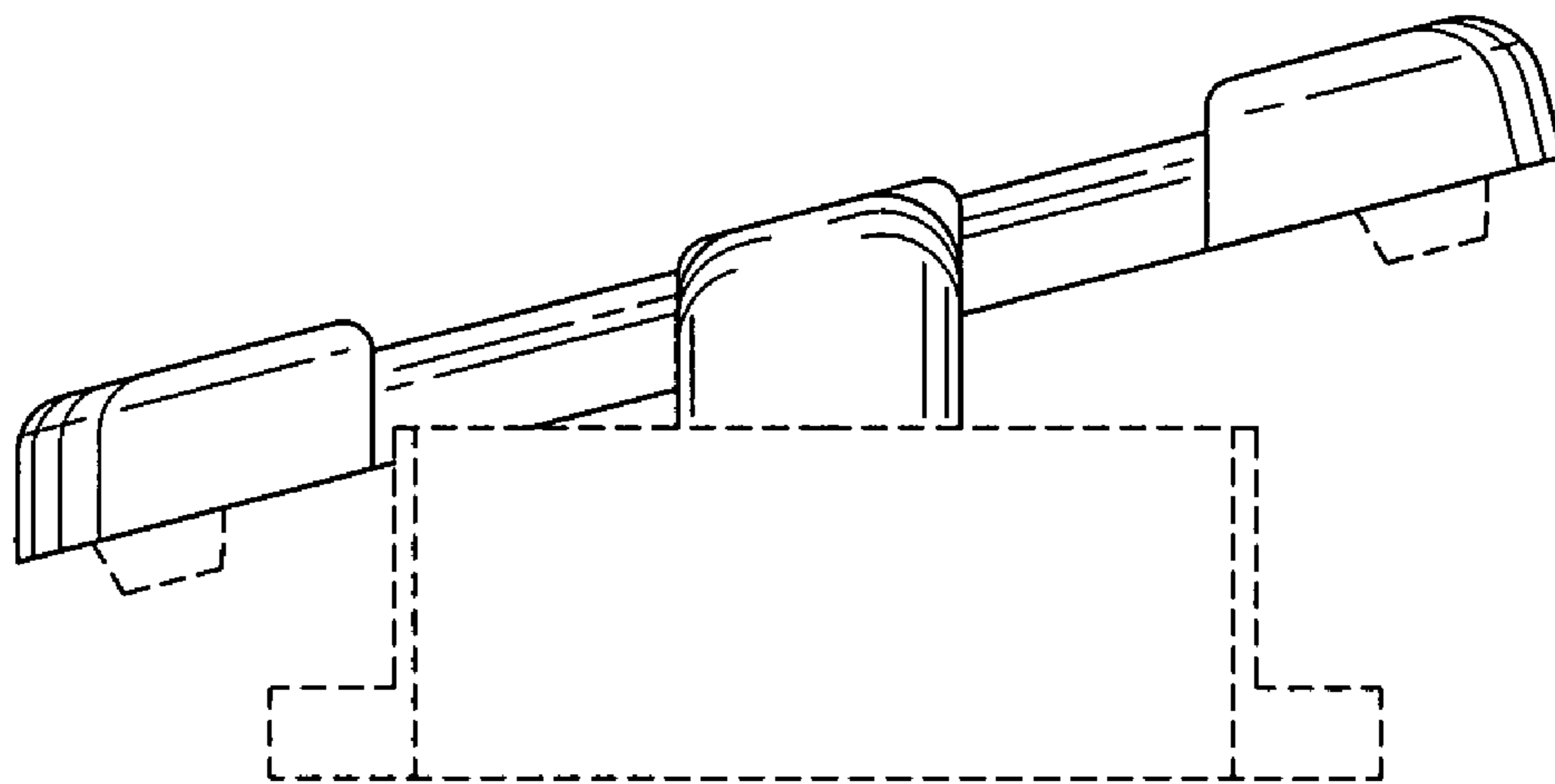


Fig. 6

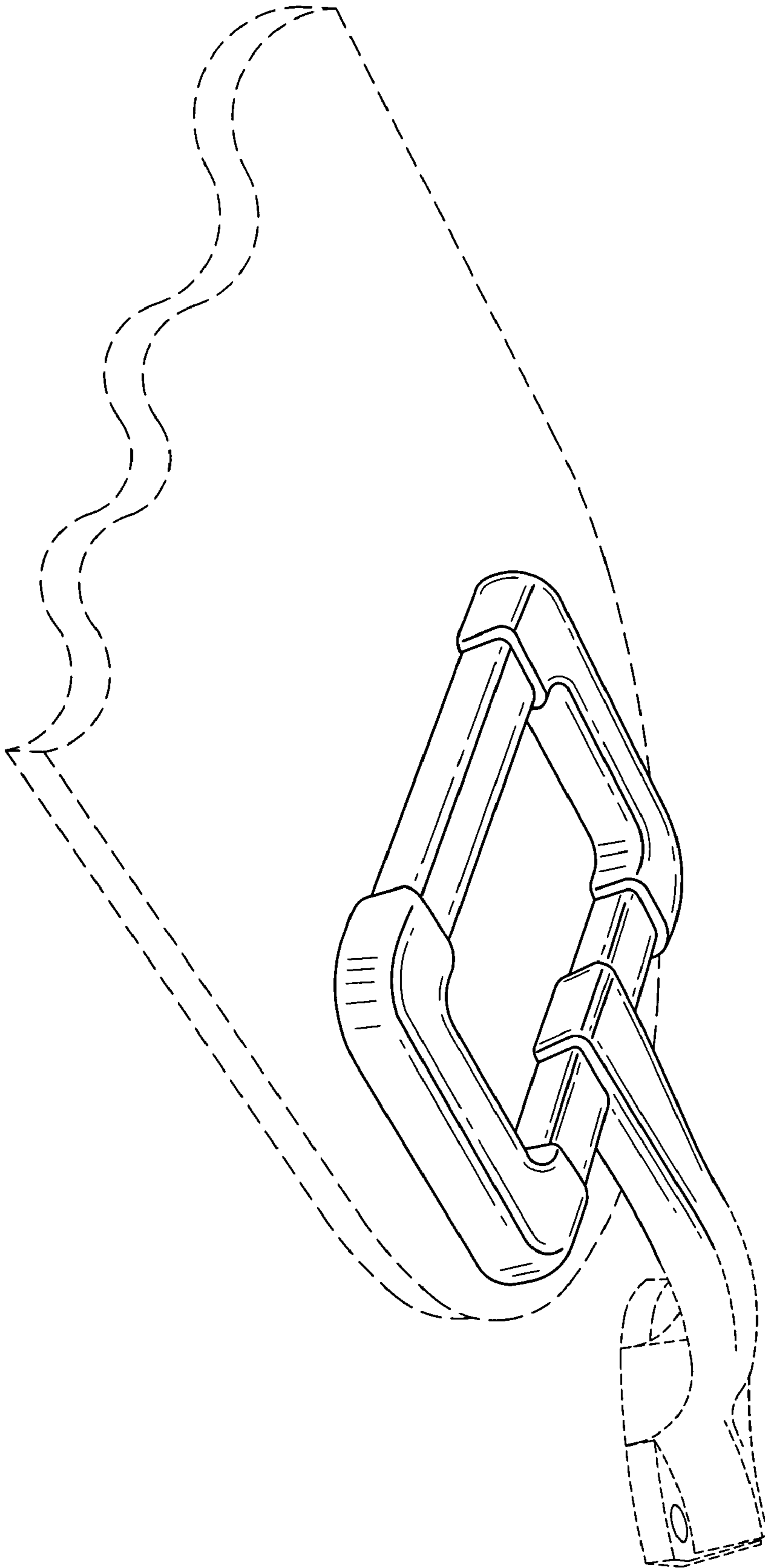


Fig. 7