



US00D559370S

(12) **United States Design Patent**
Kato et al.

(10) **Patent No.:** **US D559,370 S**
(45) **Date of Patent:** **** Jan. 8, 2008**

(54) **PANEL FOR OUTDOOR-UNIT OF AIR-CONDITIONER**
(75) Inventors: **Manabu Kato**, Sakai (JP); **Kentaro Niki**, Sakai (JP)

D424,683 S * 5/2000 Bellil et al. D23/381
D425,974 S * 5/2000 Esty et al. D23/354
D449,094 S * 10/2001 Caronna et al. D23/351
D515,689 S * 2/2006 Jones D23/381
D534,637 S * 1/2007 David et al. D23/351

(73) Assignee: **Daikin Industries Ltd.**, Osaka-Shi, Osaka (JP)

* cited by examiner

(**) Term: **14 Years**

Primary Examiner—Brian N Vinson
(74) *Attorney, Agent, or Firm*—Manabu Kanesaka

(21) Appl. No.: **29/270,620**

(57) **CLAIM**

(22) Filed: **Dec. 29, 2006**

The ornamental design for a panel for outdoor-unit of air-conditioner, as shown and described.

(51) **LOC (8) Cl.** **23-03**

(52) **U.S. Cl.** **D23/354**

(58) **Field of Classification Search** D23/351–354,
D23/370–371, 381, 386–387; 62/259.1,
62/259.4, 262–263; 454/330–331
See application file for complete search history.

DESCRIPTION

FIG. 1 is a perspective view of a panel for outdoor-unit of air-conditioner showing our new design;
FIG. 2 is a front view thereof;
FIG. 3 is a rear view thereof;
FIG. 4 is a top view thereof;
FIG. 5 is a bottom view thereof;
FIG. 6 is a right side view thereof,
FIG. 7 is a left side view thereof; and,
FIG. 8 is a sectional view thereof taken along line 8–8 in FIG. 2.

(56) **References Cited**

U.S. PATENT DOCUMENTS

D337,816 S * 7/1993 Hogan D23/354
D349,565 S * 8/1994 Burns et al. D23/354
D371,599 S * 7/1996 Nanjo D23/351
D391,359 S * 2/1998 Teng et al. D23/354
D408,907 S * 4/1999 Moreno D23/381
D412,566 S * 8/1999 Taras et al. D23/354
D421,494 S * 3/2000 Rossman et al. D23/381

1 Claim, 3 Drawing Sheets

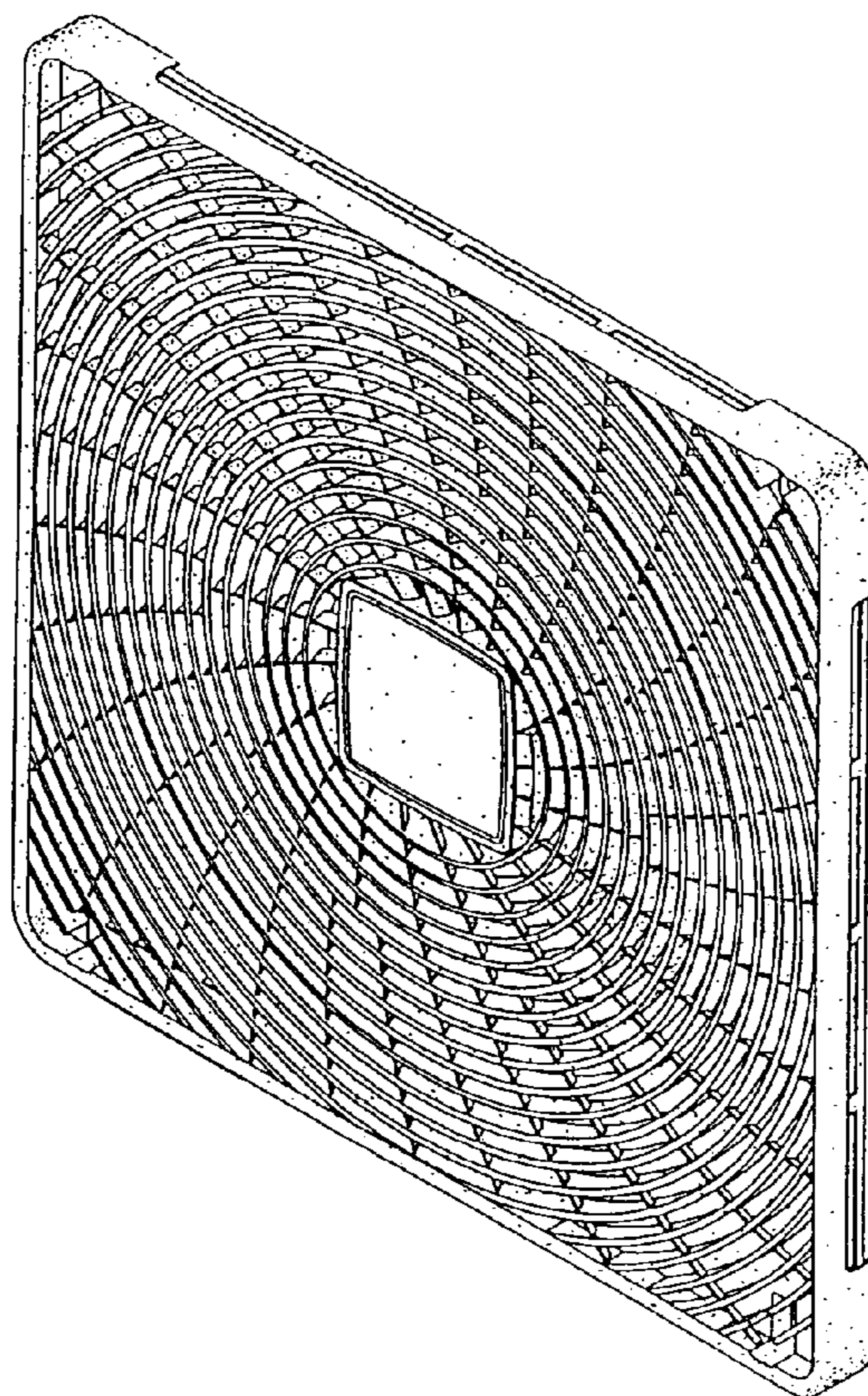


Fig. 1

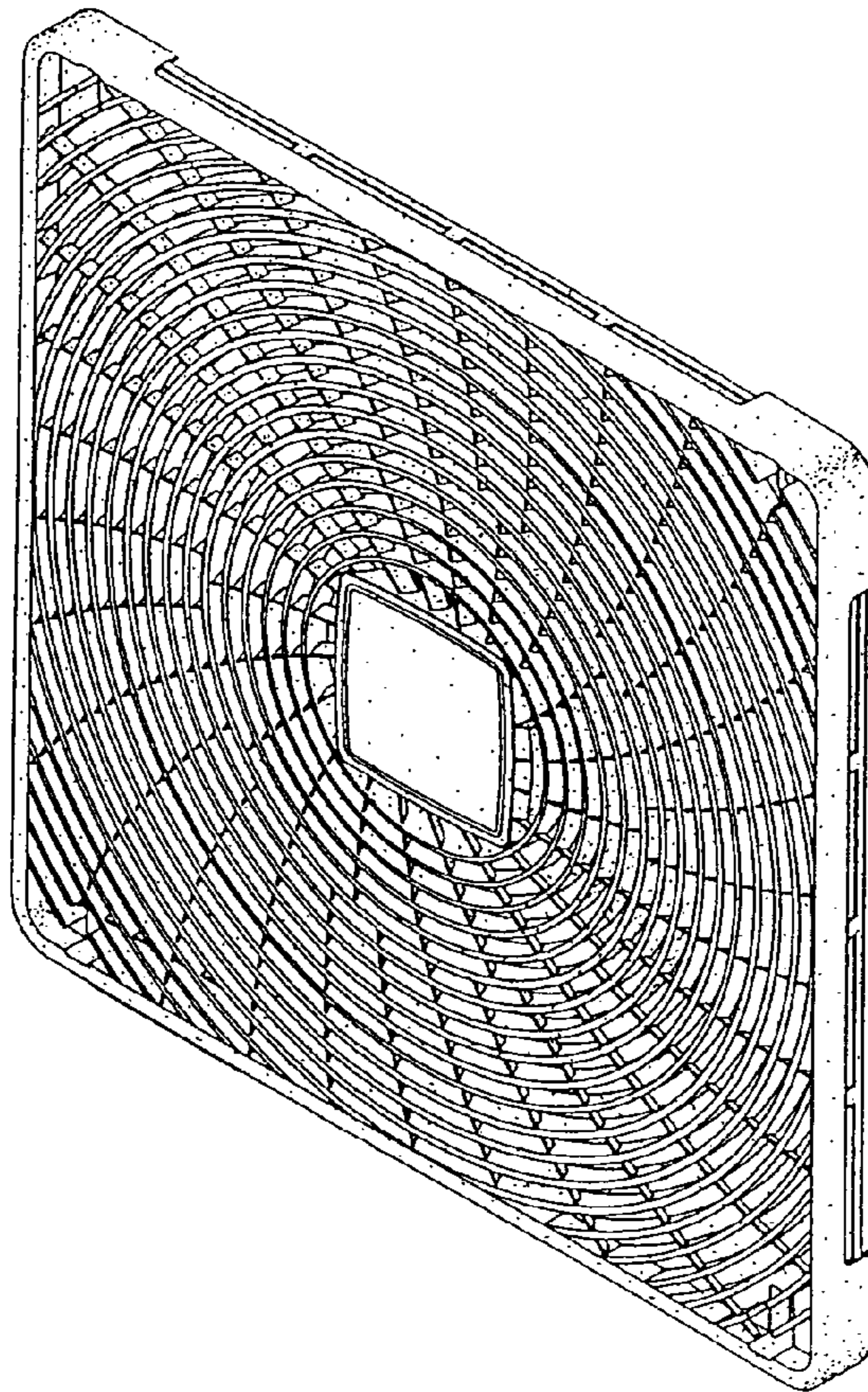


Fig. 2

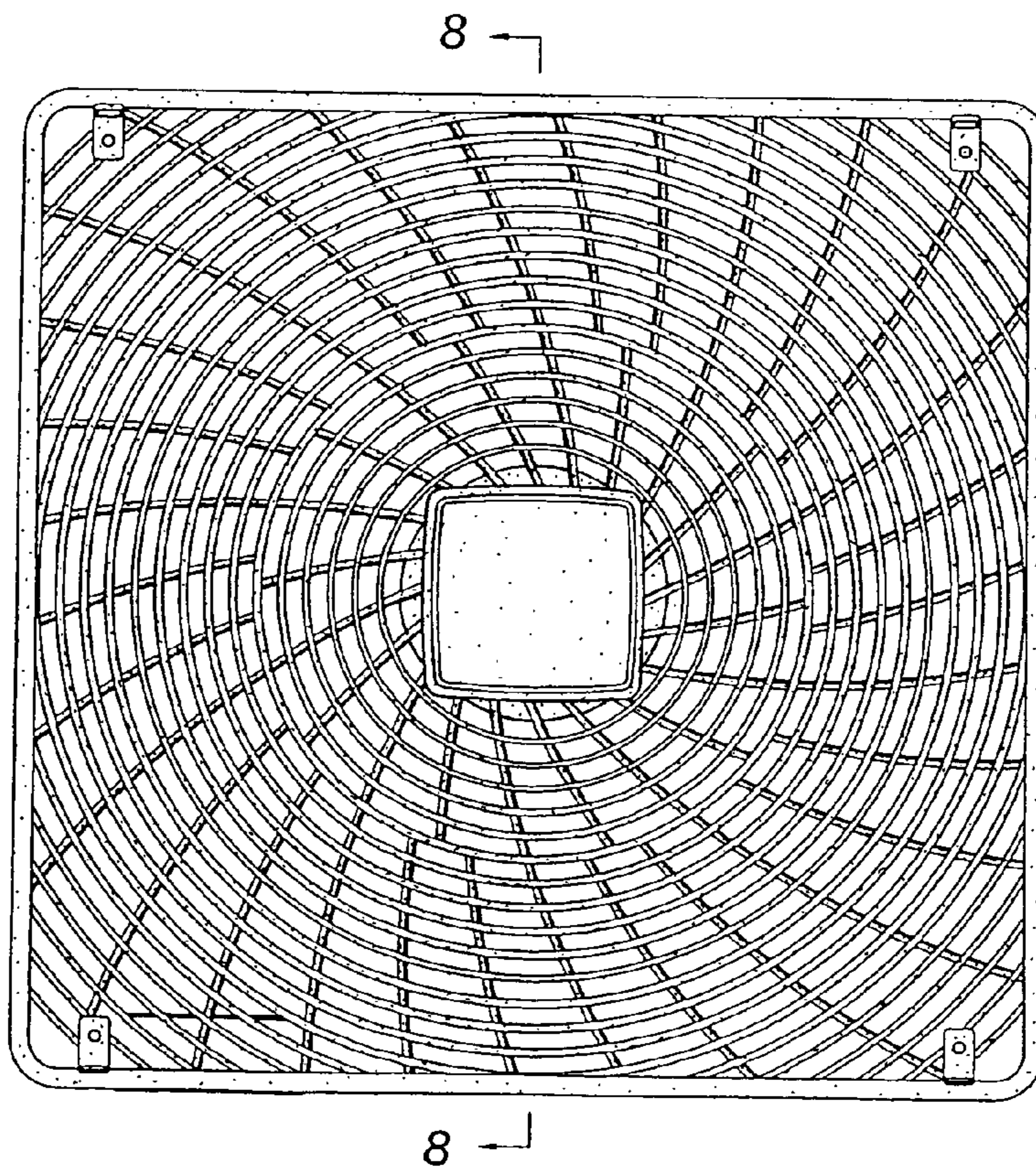


Fig. 3

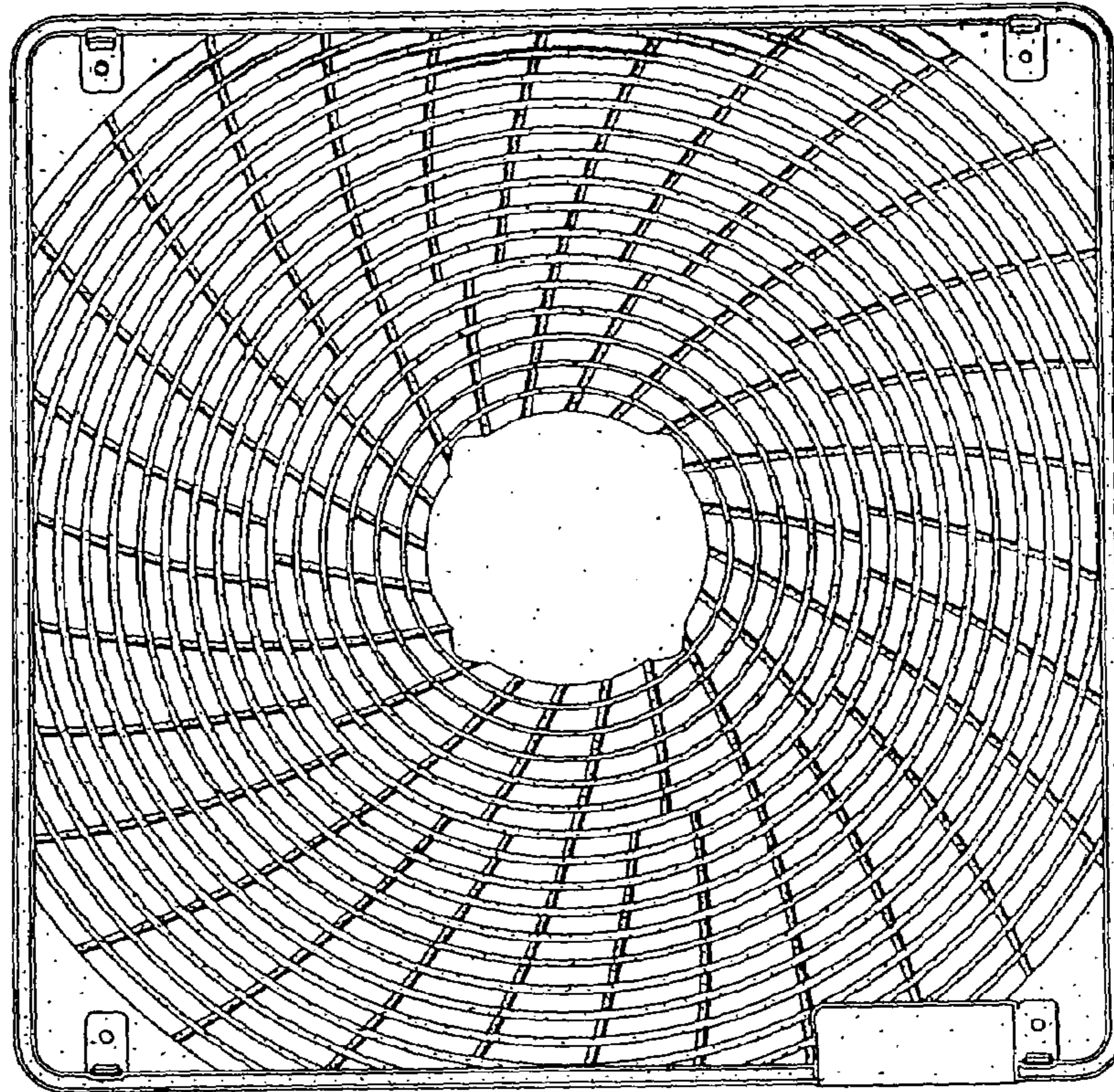


Fig. 4

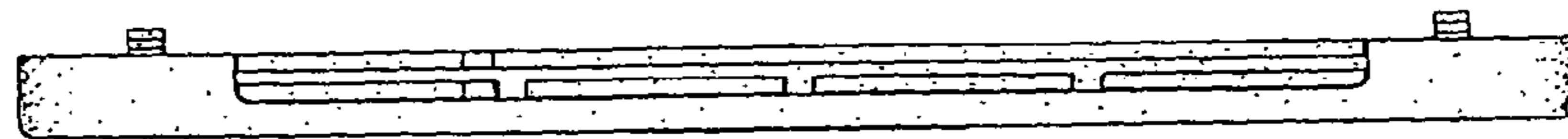


Fig. 5

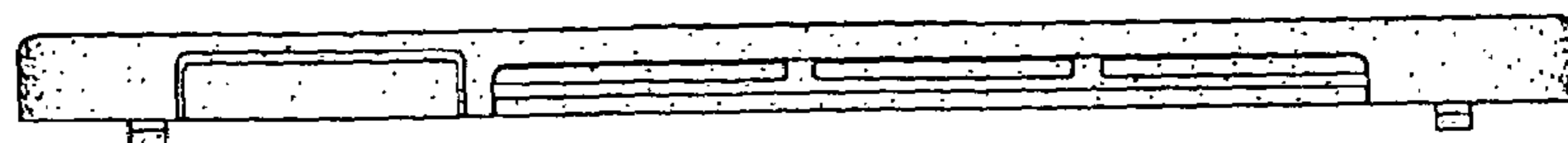


Fig. 6

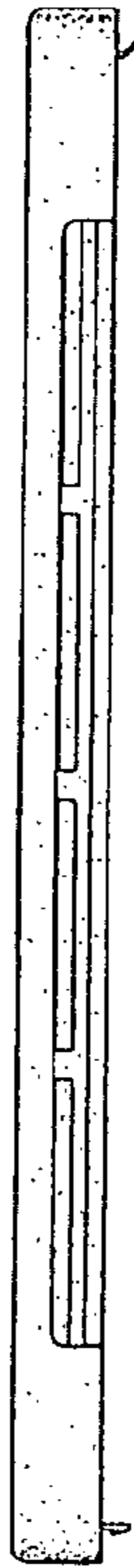


Fig. 7

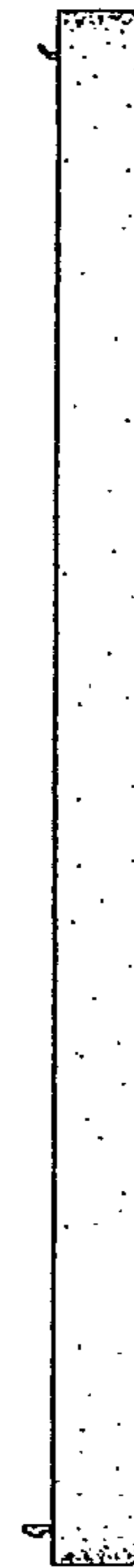


Fig. 8

