



US00D559368S

(12) **United States Design Patent Grant** (10) **Patent No.:** **US D559,368 S**  
(45) **Date of Patent:** **\*\* Jan. 8, 2008**

(54) **PORTABLE TOILET SEAT**

D523,127 S \* 6/2006 Sublett ..... D23/310

\* cited by examiner

(75) Inventor: **Linda Grant**, Bakersfield, CA (US)

*Primary Examiner*—Robert A. Delehanty

(73) Assignee: **Lett Corporation**, Bakersfield, CA (US)

(74) *Attorney, Agent, or Firm*—James M. Duncan, Esq.; Klein, DeNatale, Goldner et al.

(\*\*) Term: **14 Years**

(57) **CLAIM**

(21) Appl. No.: **29/261,769**

The ornamental design for a portable toilet seat, as shown and described.

(22) Filed: **Jun. 19, 2006**

**DESCRIPTION**

(51) **LOC (8) Cl.** ..... **23-02**

FIG. 1 is a top view of the portable toilet seat showing my new design;

(52) **U.S. Cl.** ..... **D23/311**

FIG. 2 is a front view thereof;

(58) **Field of Classification Search** ..... D23/303, D23/309–312; 4/444, 478, 483, 485–486, 4/217, 234–235, 237–239, 242.1, DIG. 6, 4/DIG. 9

FIG. 3 is a left side view thereof, the right side being a mirror image thereof;

See application file for complete search history.

FIG. 4 is a bottom view thereof;

(56) **References Cited**

FIG. 5 is a perspective view thereof, viewed from the front;

**U.S. PATENT DOCUMENTS**

FIG. 6 is a perspective view thereof, viewed from the rear, with a rear flap raised;

- 747,527 A \* 12/1903 Whol ..... 4/476
- 1,492,798 A \* 5/1924 Houston ..... 4/478
- 2,133,626 A \* 10/1938 Mayberry ..... 604/276
- 2,573,104 A \* 10/1951 La Baw ..... 297/378.1
- 3,153,248 A \* 10/1964 Miller ..... 4/239
- 5,090,063 A \* 2/1992 Edwards et al. .... 4/239
- 5,309,580 A 5/1994 Amalsad et al.
- 5,809,584 A 9/1998 Potts
- 6,112,339 A 9/2000 Nichols et al.
- 6,353,941 B1 3/2002 Manning et al.
- 6,389,612 B1 5/2002 Harris
- 6,473,911 B2 11/2002 Weiss
- 6,564,396 B1 5/2003 Pitts

FIG. 7 is a perspective view thereof, viewed from the front, with the rear flap raised;

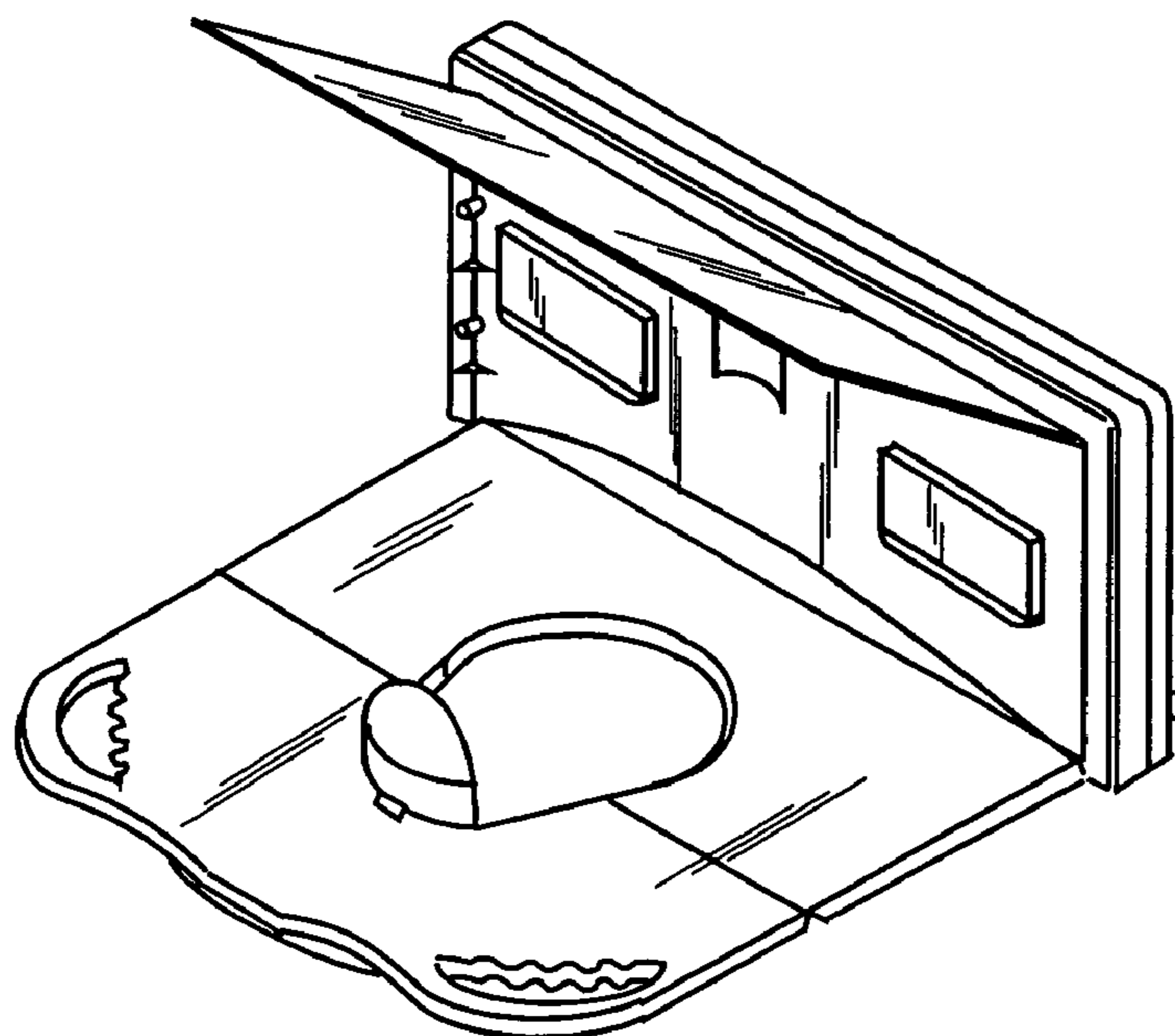
FIG. 8 is front view of the portable toilet seat with the case closed;

FIG. 9 is a top view of the portable toilet seat with the case closed;

FIG. 10 is left side view of the portable toilet seat with the case closed, the right side being a mirror image thereof; and,

FIG. 11 is a perspective view of the portable toilet seat with the case closed.

**1 Claim, 4 Drawing Sheets**



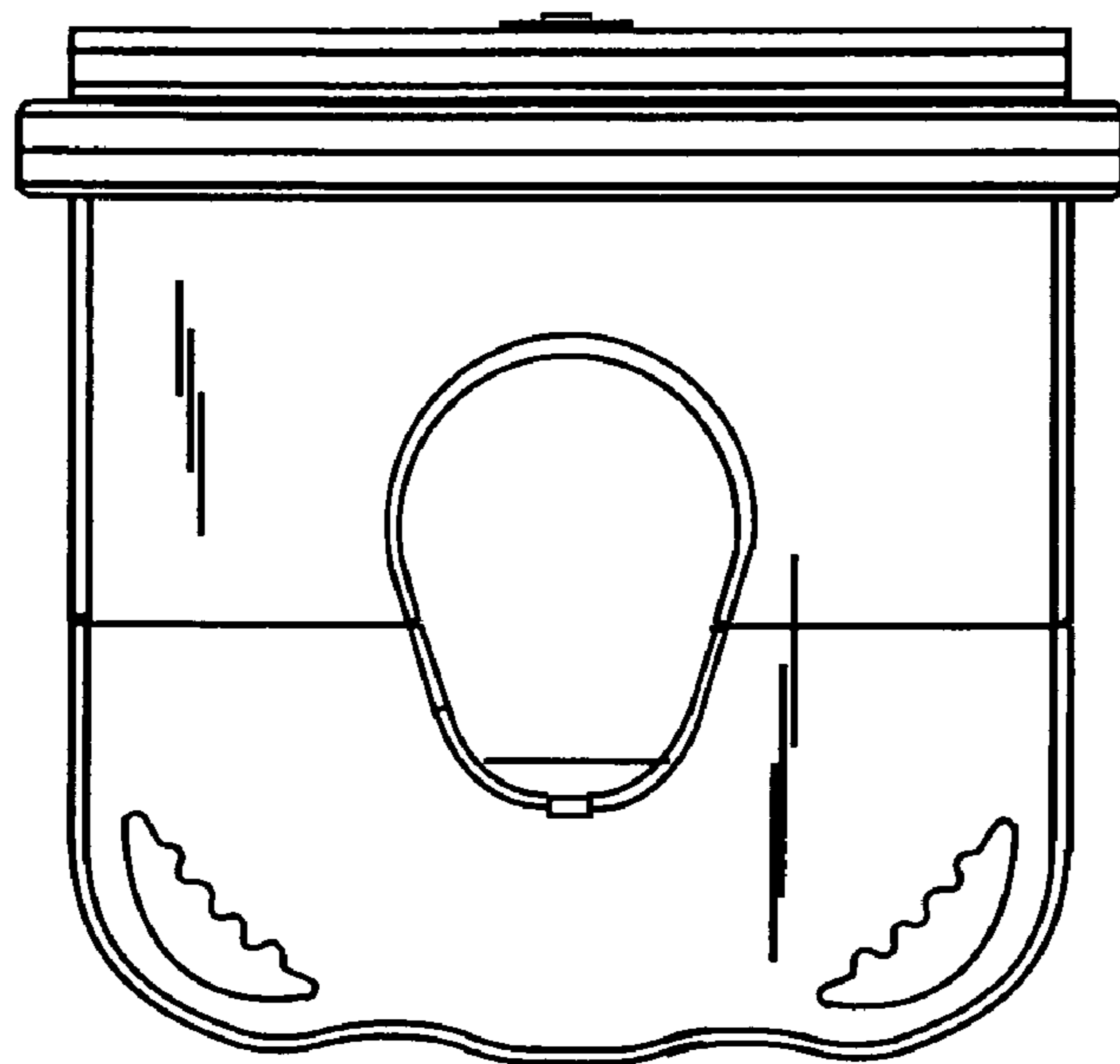


Fig. 1

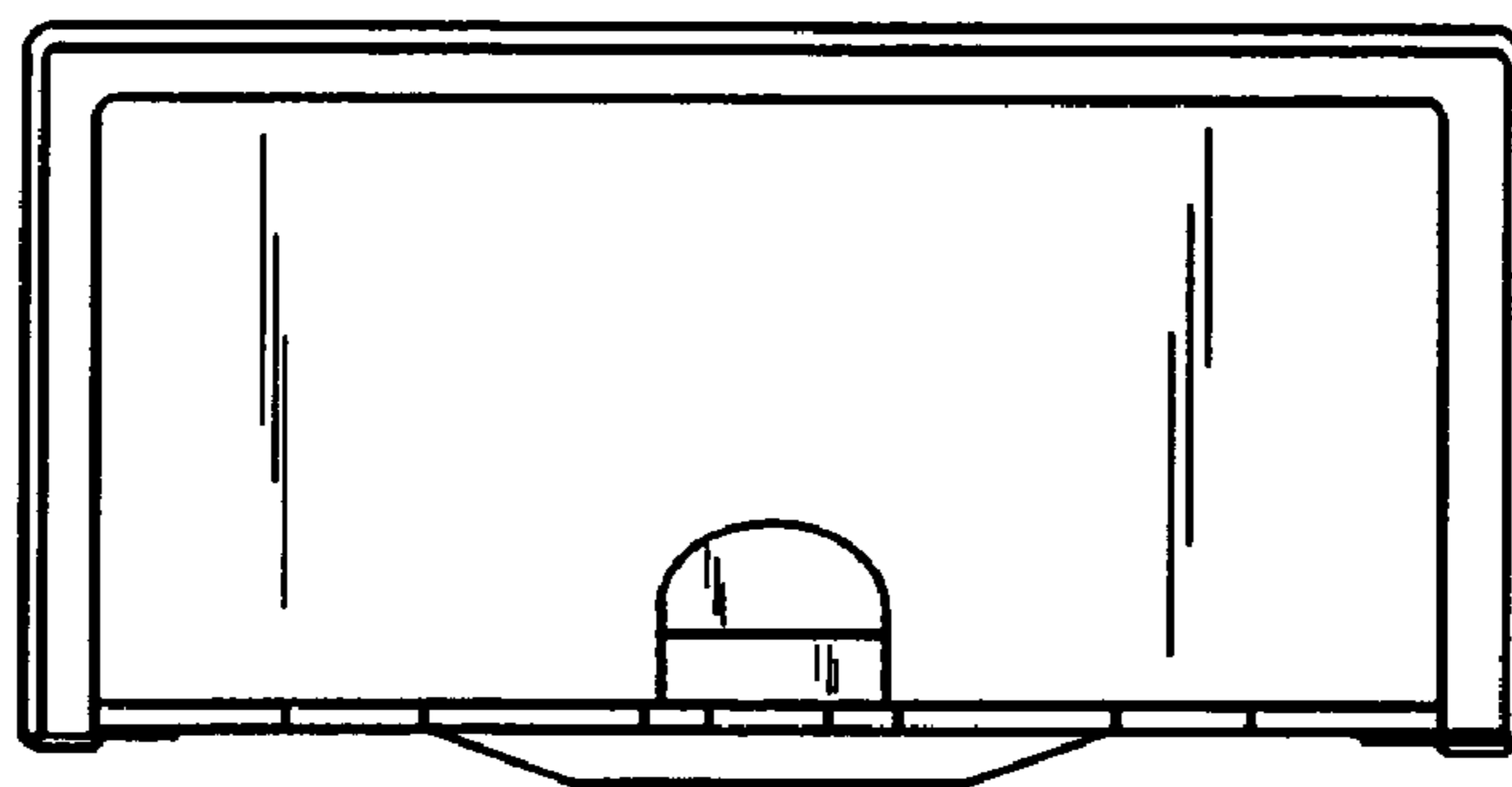


Fig. 2

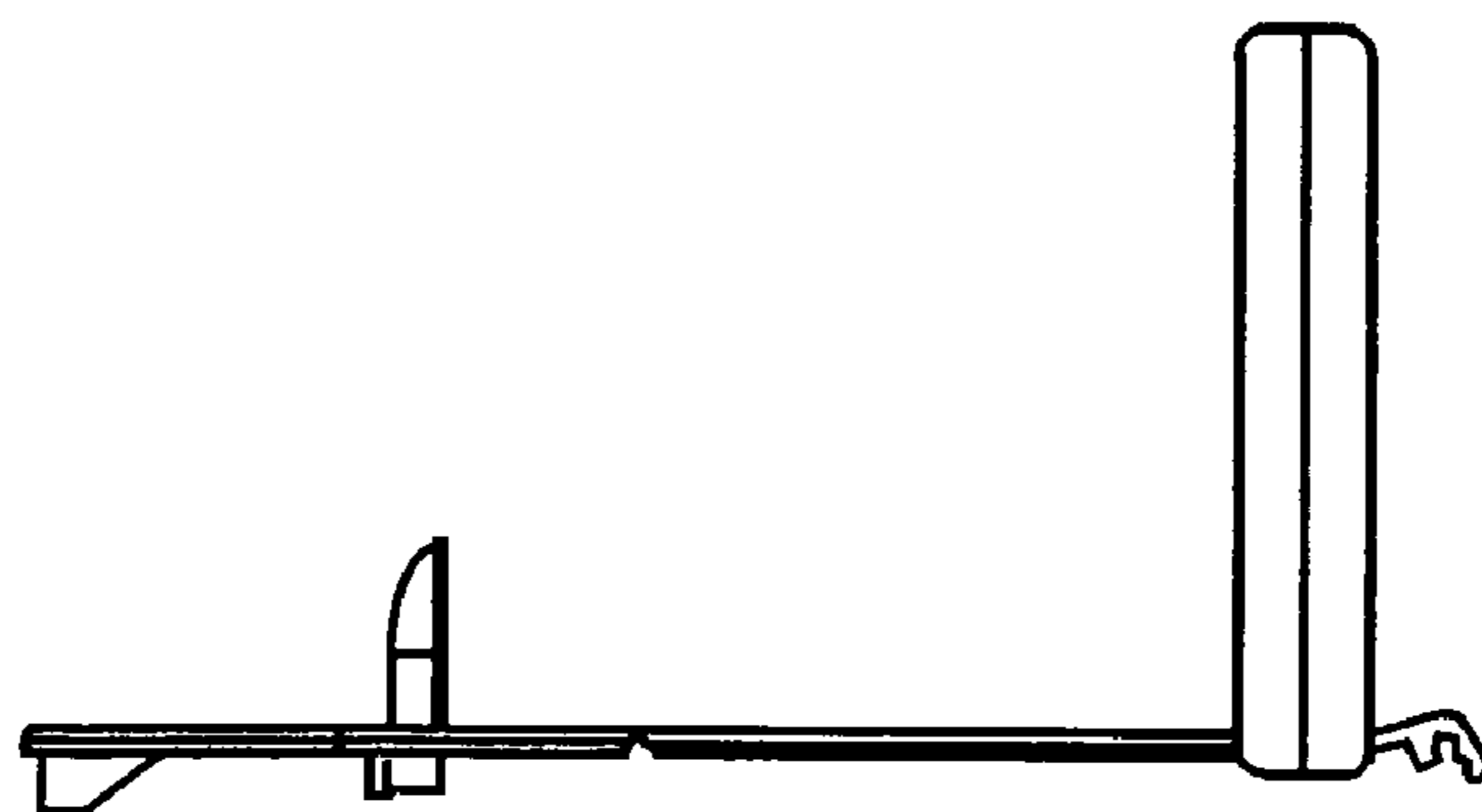


Fig. 3

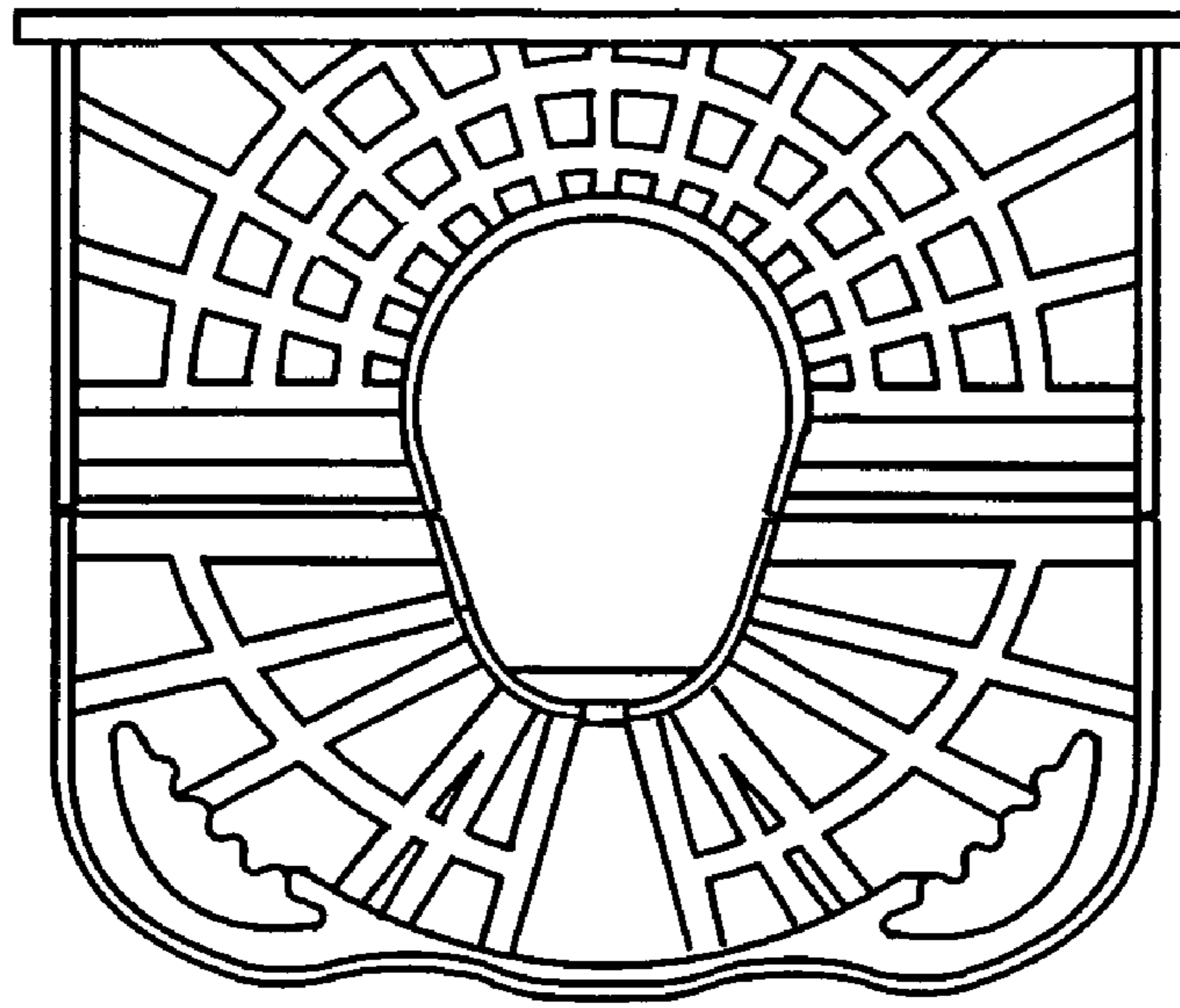


Fig. 4

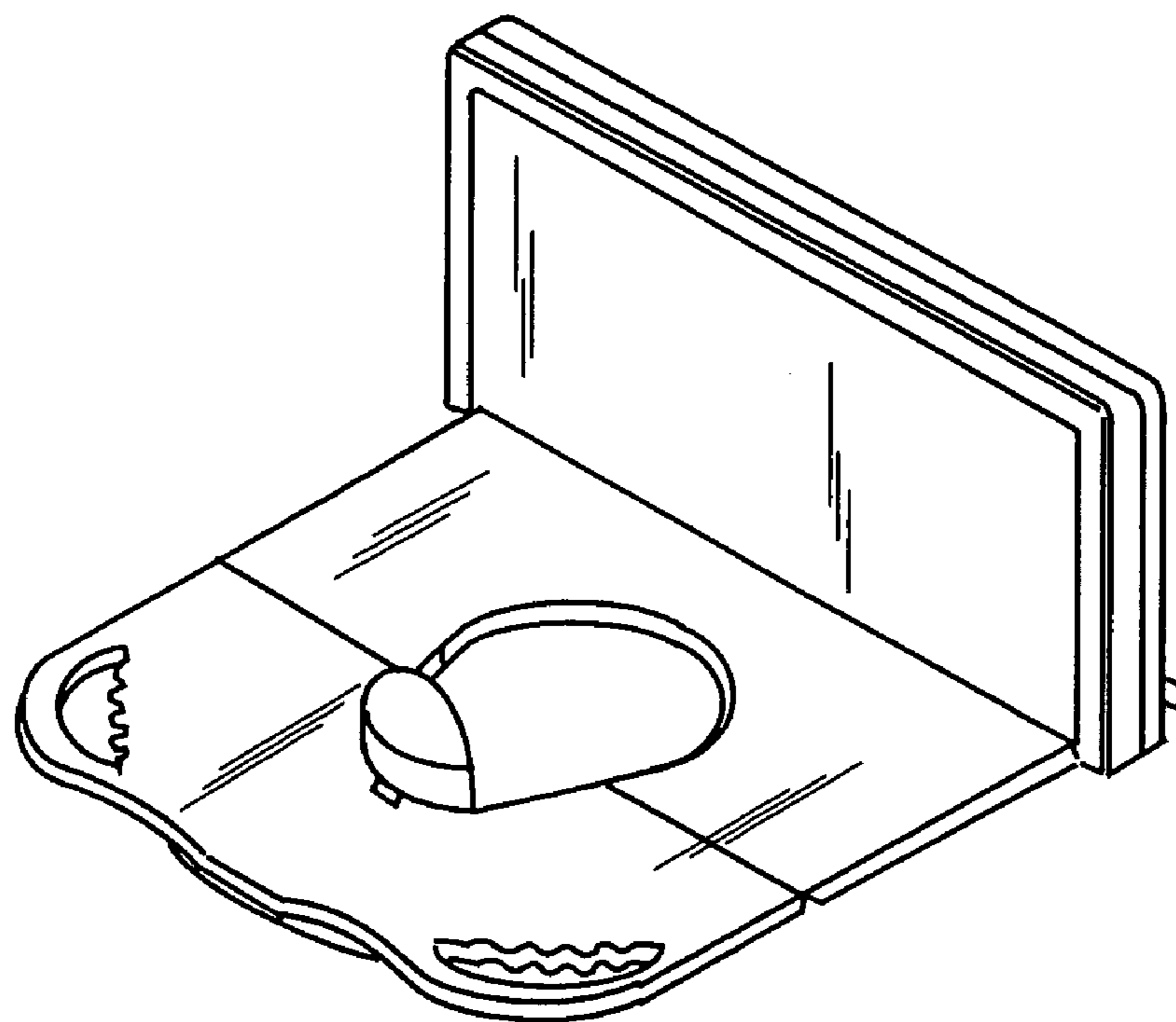


Fig. 5

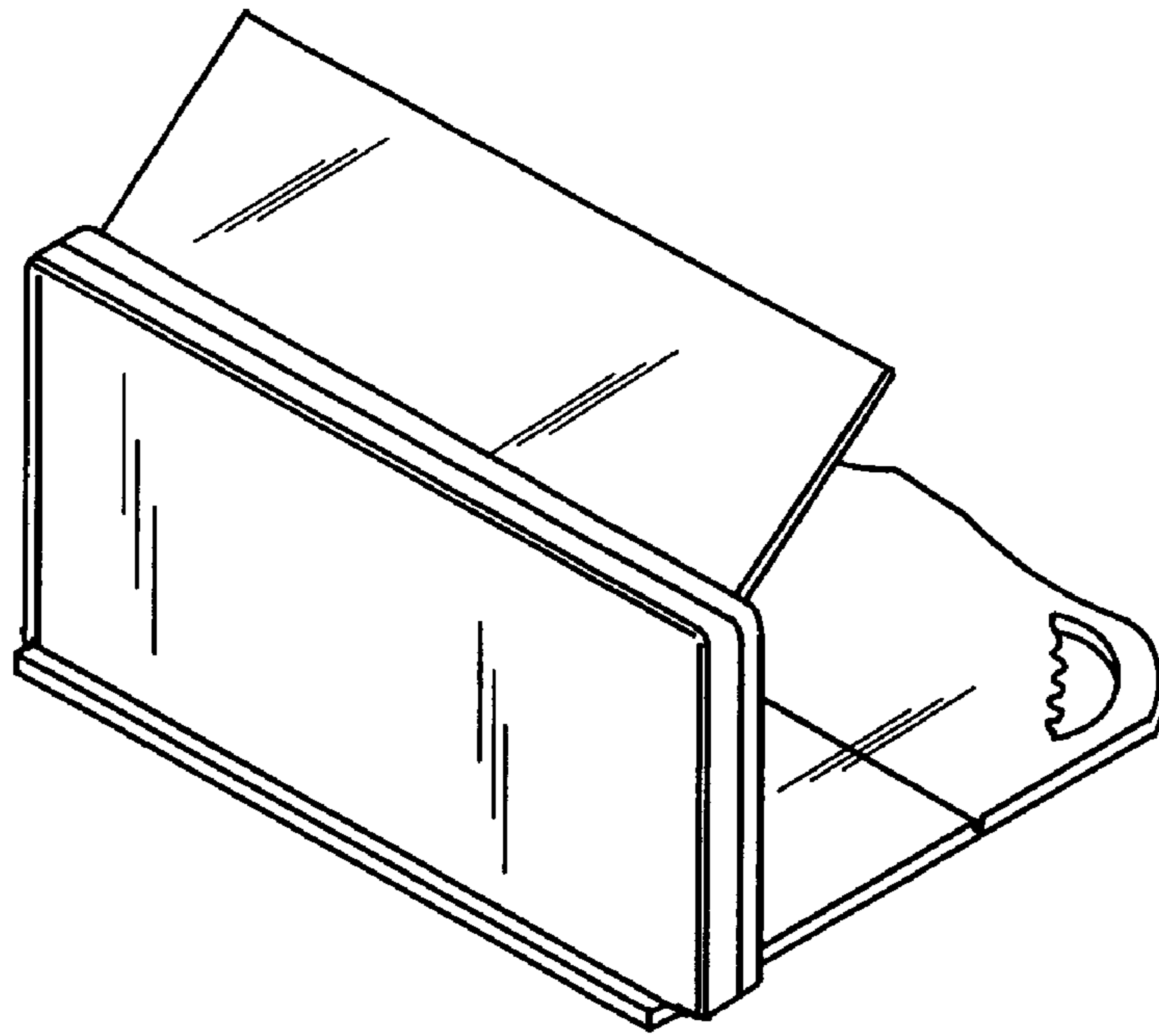


Fig. 6

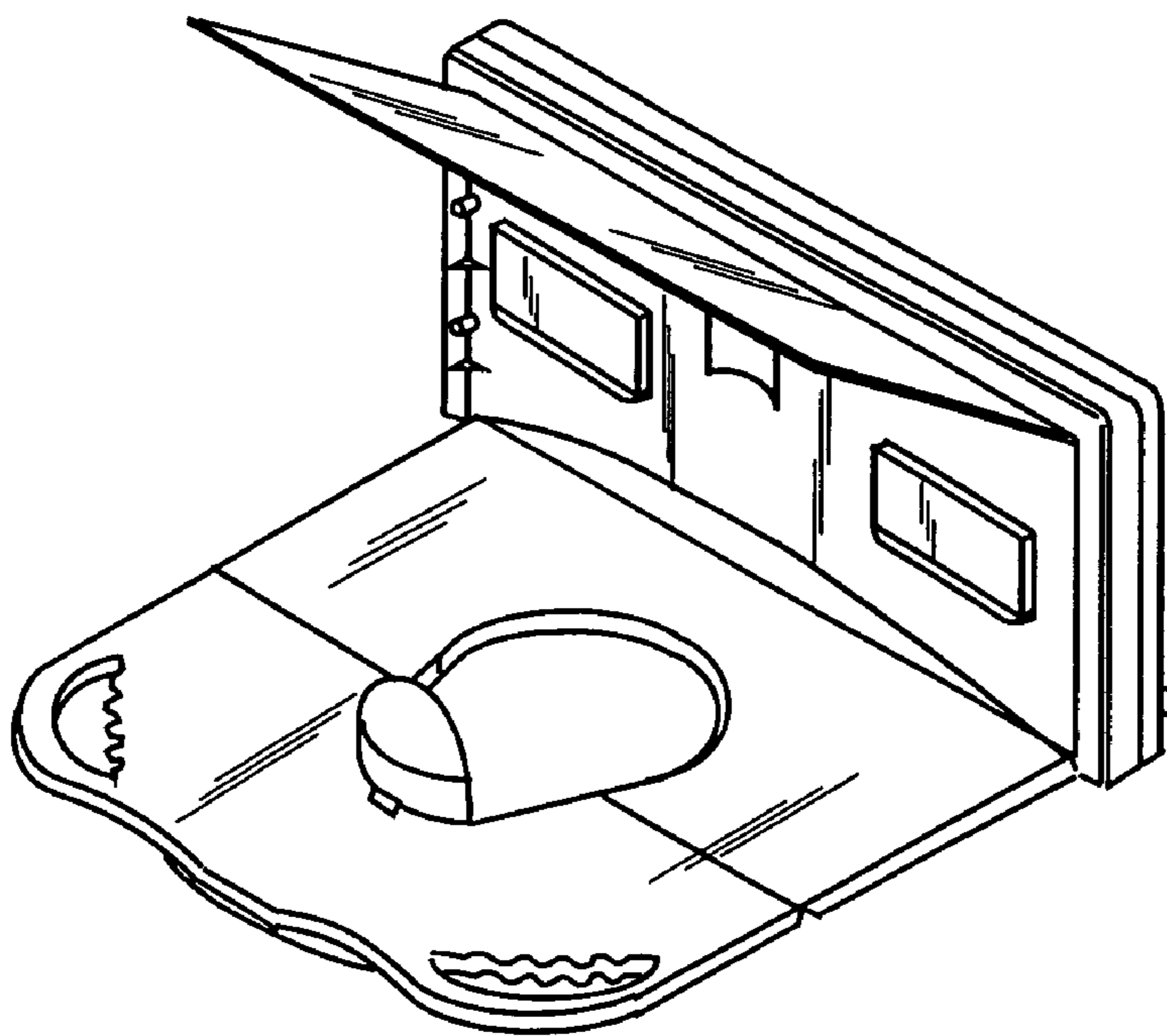


Fig. 7

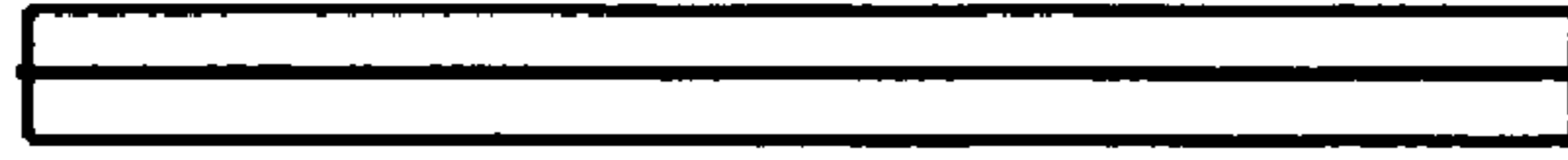


Fig. 8

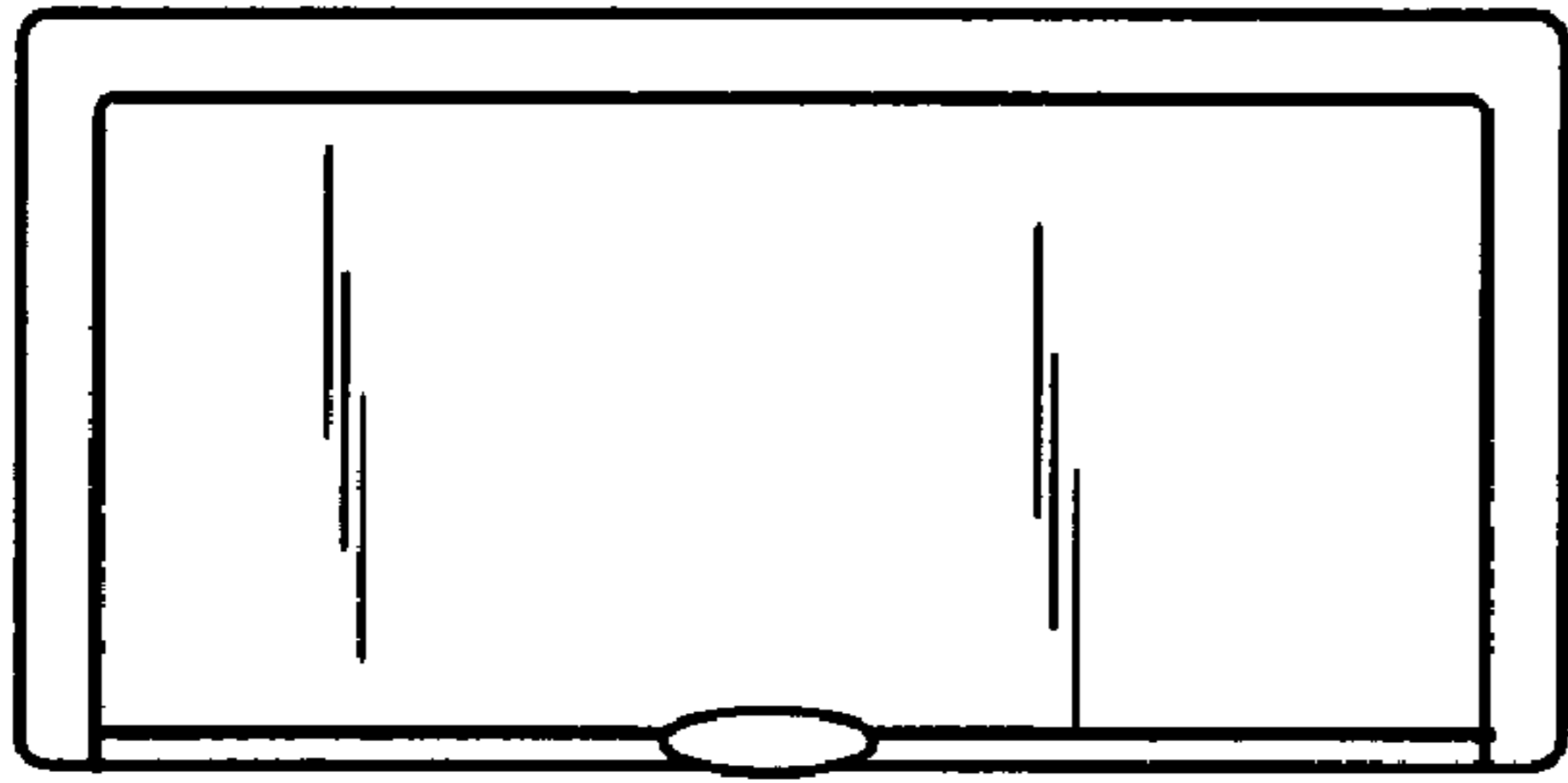


Fig. 9



Fig. 10

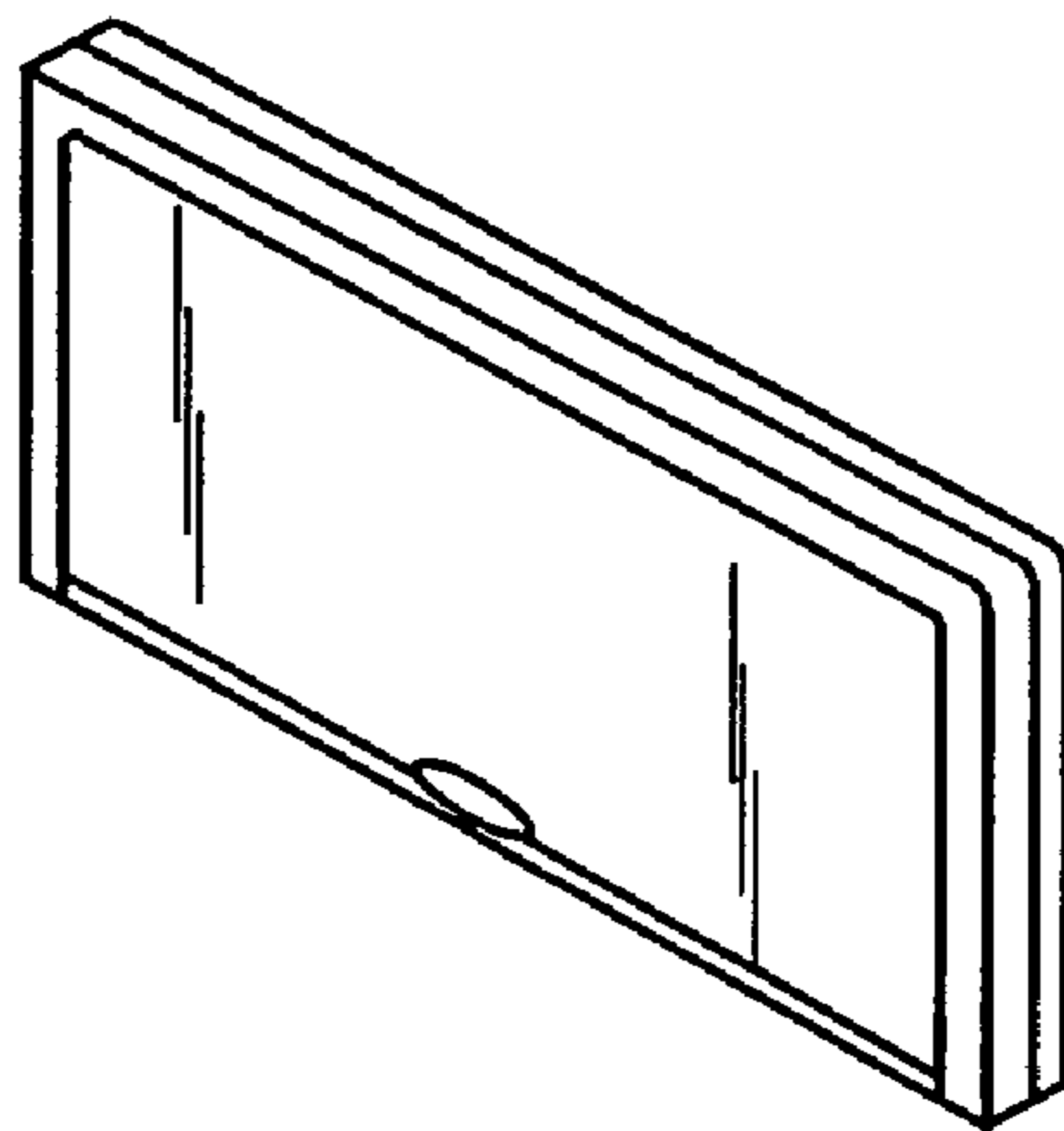


Fig. 11