



US00D559367S

(12) **United States Design Patent**
Maruhashi

(10) **Patent No.:** **US D559,367 S**

(45) **Date of Patent:** **** Jan. 8, 2008**

(54) **WATER CLOSET**

D508,116 S * 8/2005 Tani et al. D23/301

(75) Inventor: **Masahiro Maruhashi**, Kitakyushu (JP)

* cited by examiner

(73) Assignee: **Toto Ltd.**, Kitakyushu (JP)

Primary Examiner—Robert A. Delehanty

(74) *Attorney, Agent, or Firm*—Birch, Stewart, Kolasch & Birch, LLP

(**) Term: **14 Years**

(21) Appl. No.: **29/263,086**

(57) **CLAIM**

(22) Filed: **Jul. 17, 2006**

The ornamental design for a water closet, as shown and described.

(30) **Foreign Application Priority Data**

Mar. 17, 2006 (JP) 2006-006785

DESCRIPTION

(51) **LOC (8) Cl.** **23-02**

FIG. 1 is a perspective view of the top, front and right side of a water closet showing my new design;

(52) **U.S. Cl.** **D23/295**

FIG. 2 is a front view thereof;

(58) **Field of Classification Search** D23/273–274,

FIG. 3 is a rear view thereof;

D23/295–301, 303, 309; 4/663–665, 300,

FIG. 4 is a left side view thereof;

4/329, 420, 443, 661, 905, DIG. 11, DIG. 12

FIG. 5 is a right side view thereof;

See application file for complete search history.

FIG. 6 is a top plan view thereof; and,

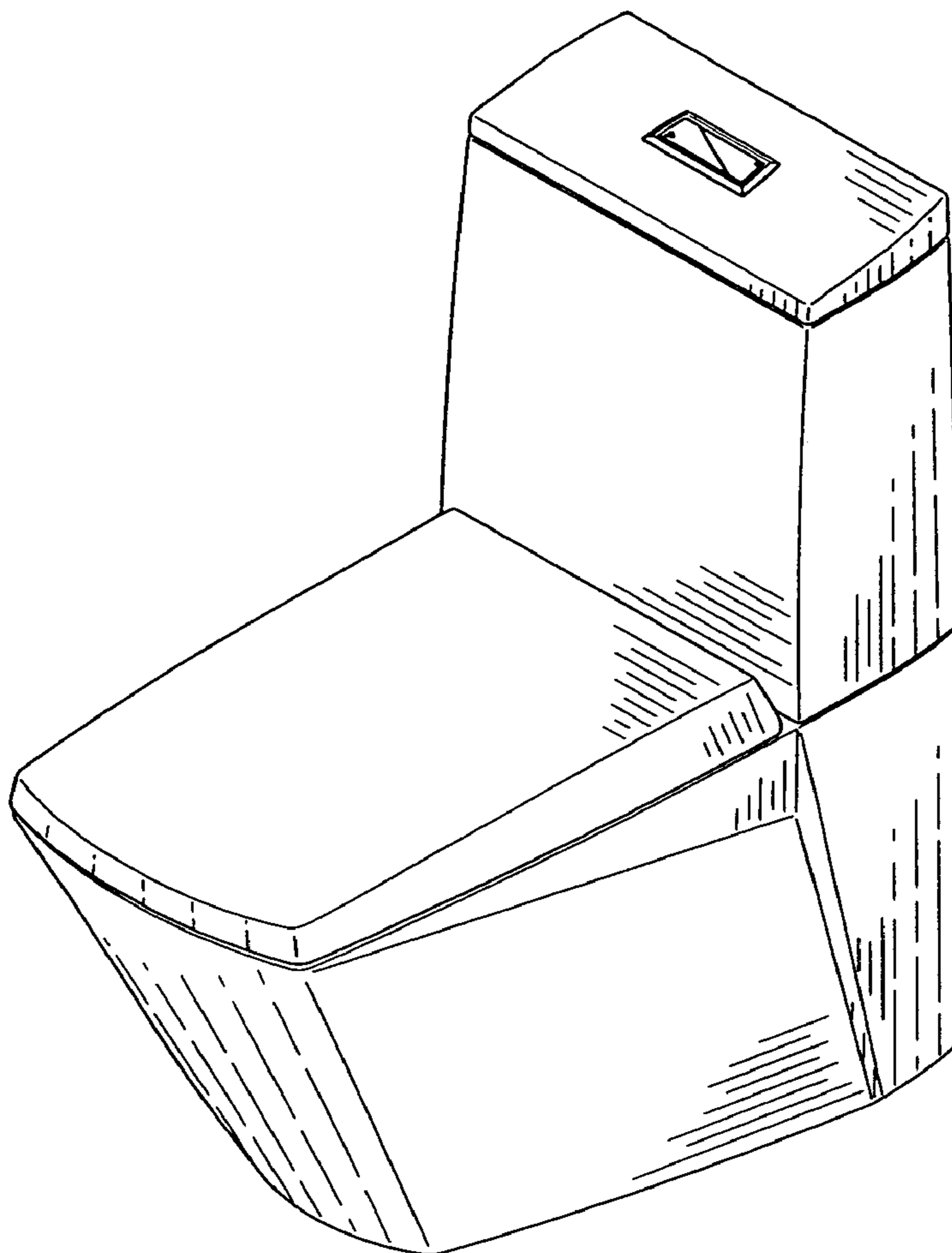
(56) **References Cited**

FIG. 7 is a bottom view thereof.

U.S. PATENT DOCUMENTS

D496,444 S * 9/2004 Kergoet D23/301

1 Claim, 4 Drawing Sheets



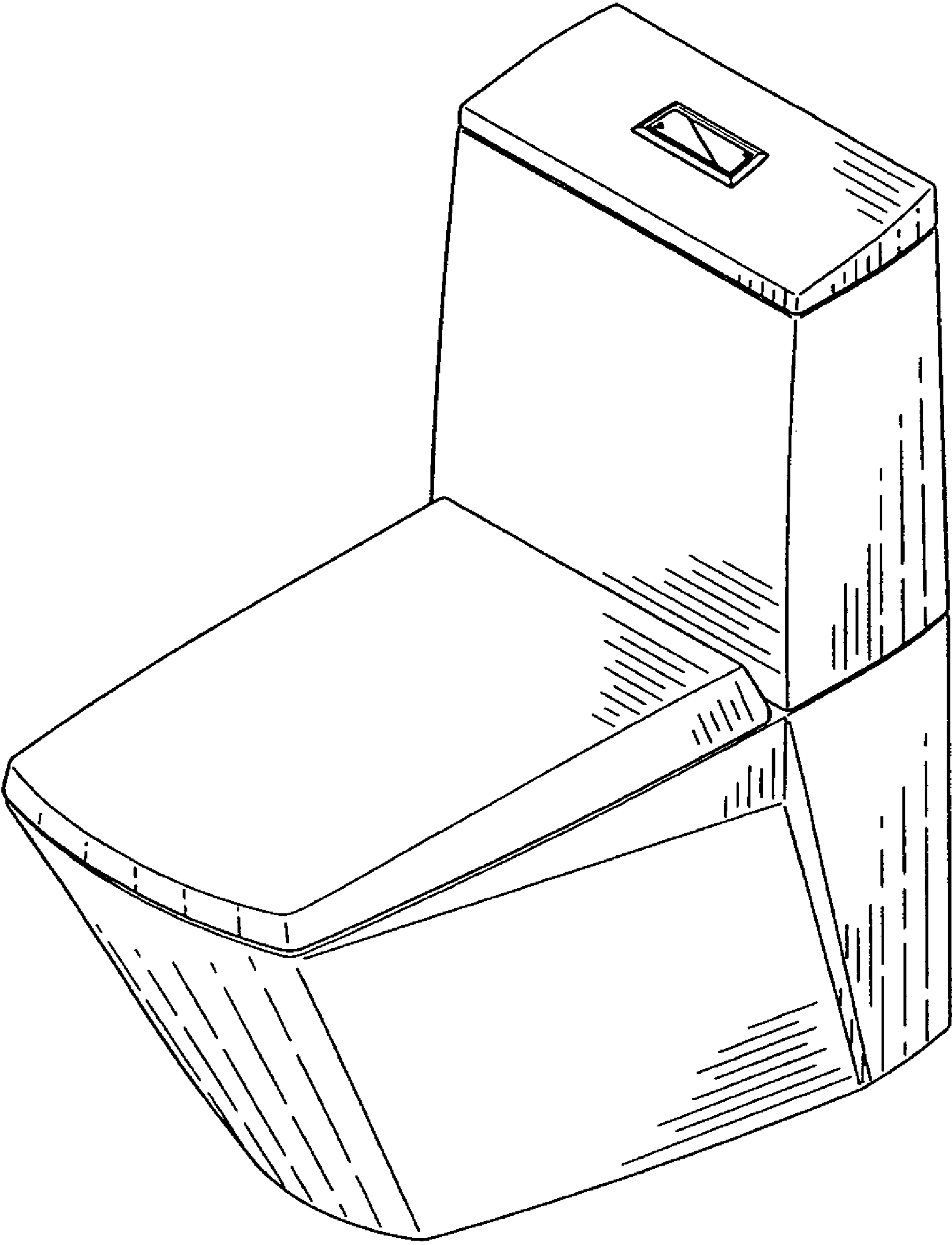


FIG. 1

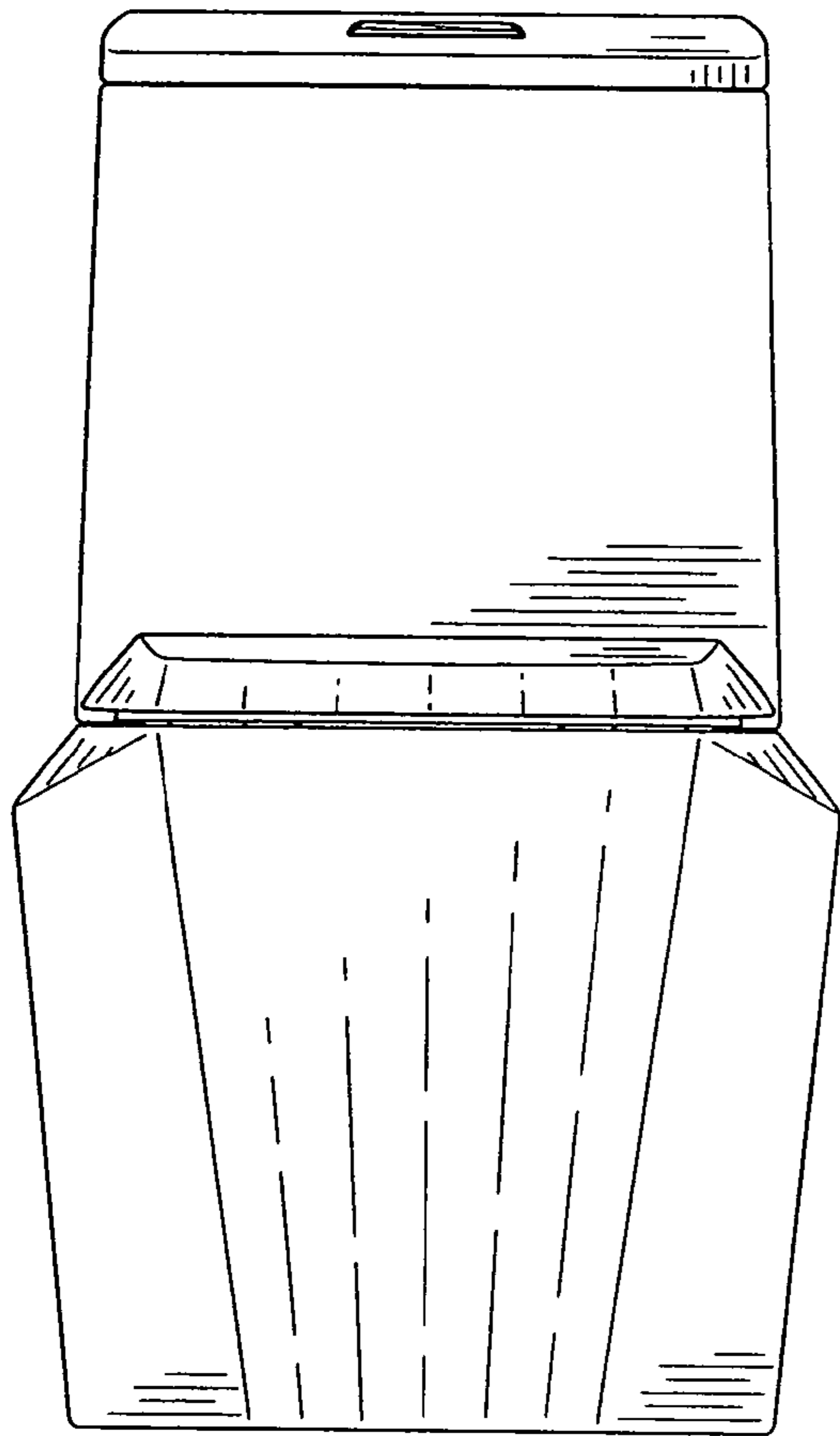


FIG. 2

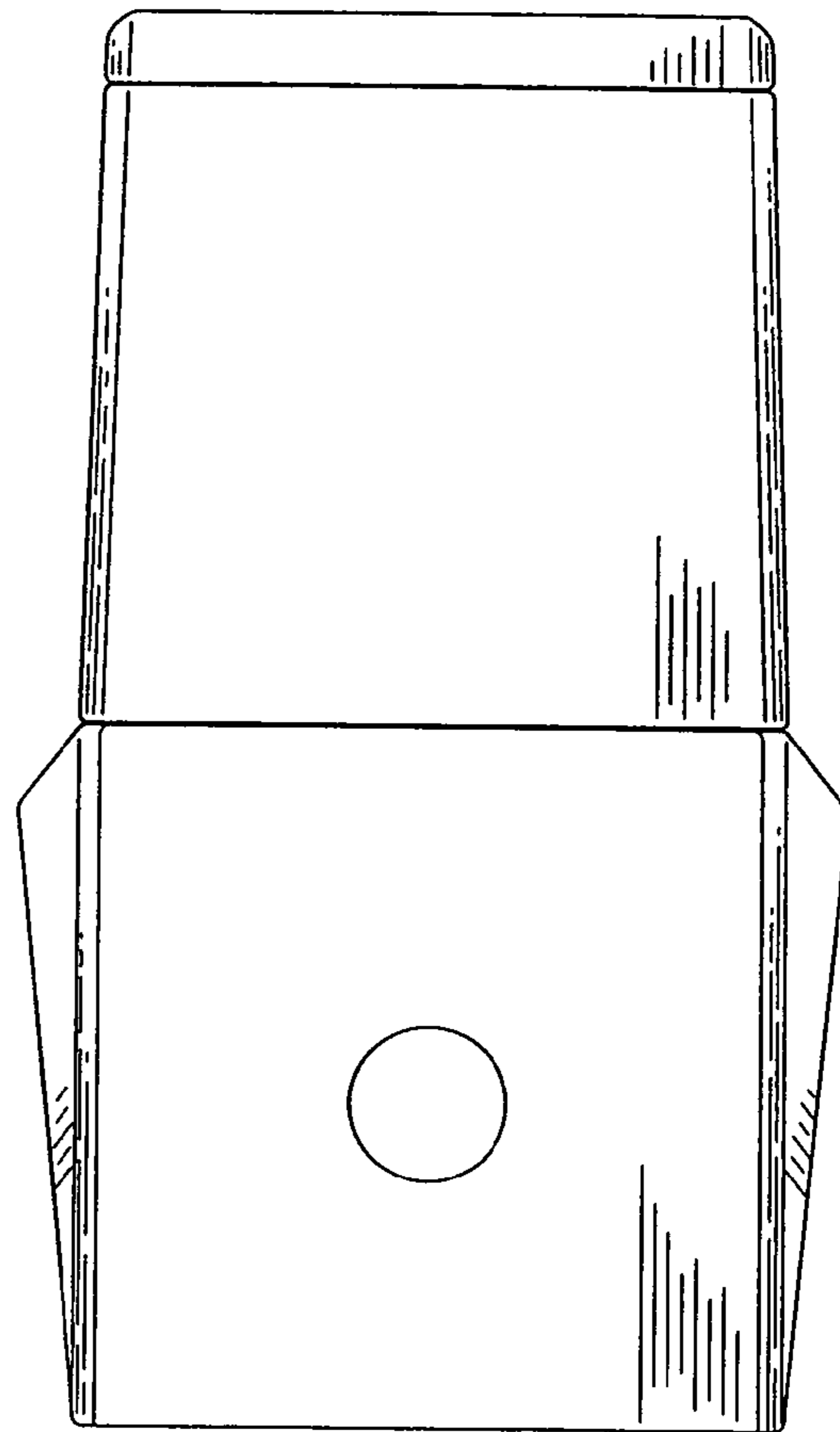


FIG. 3

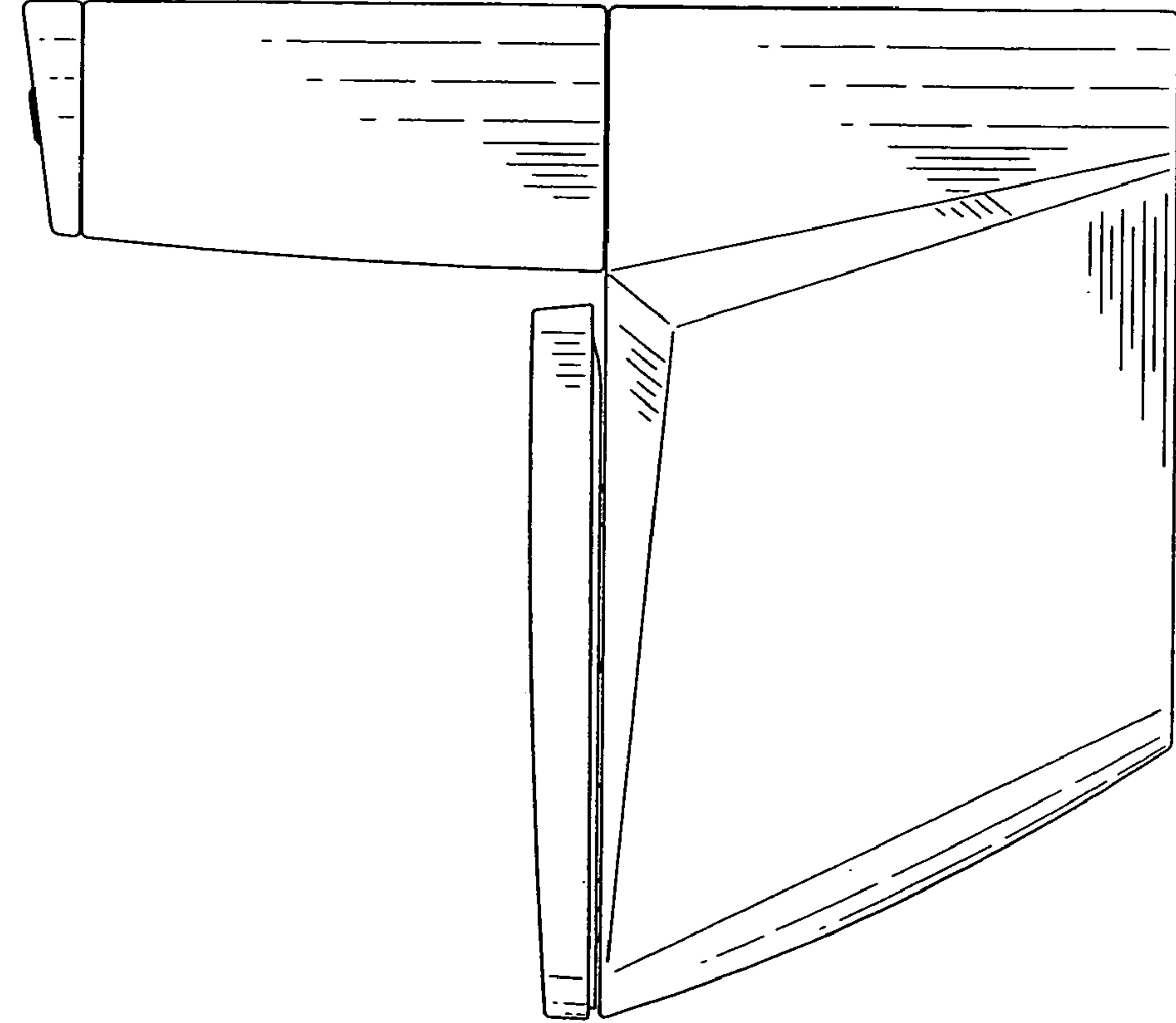


FIG. 5

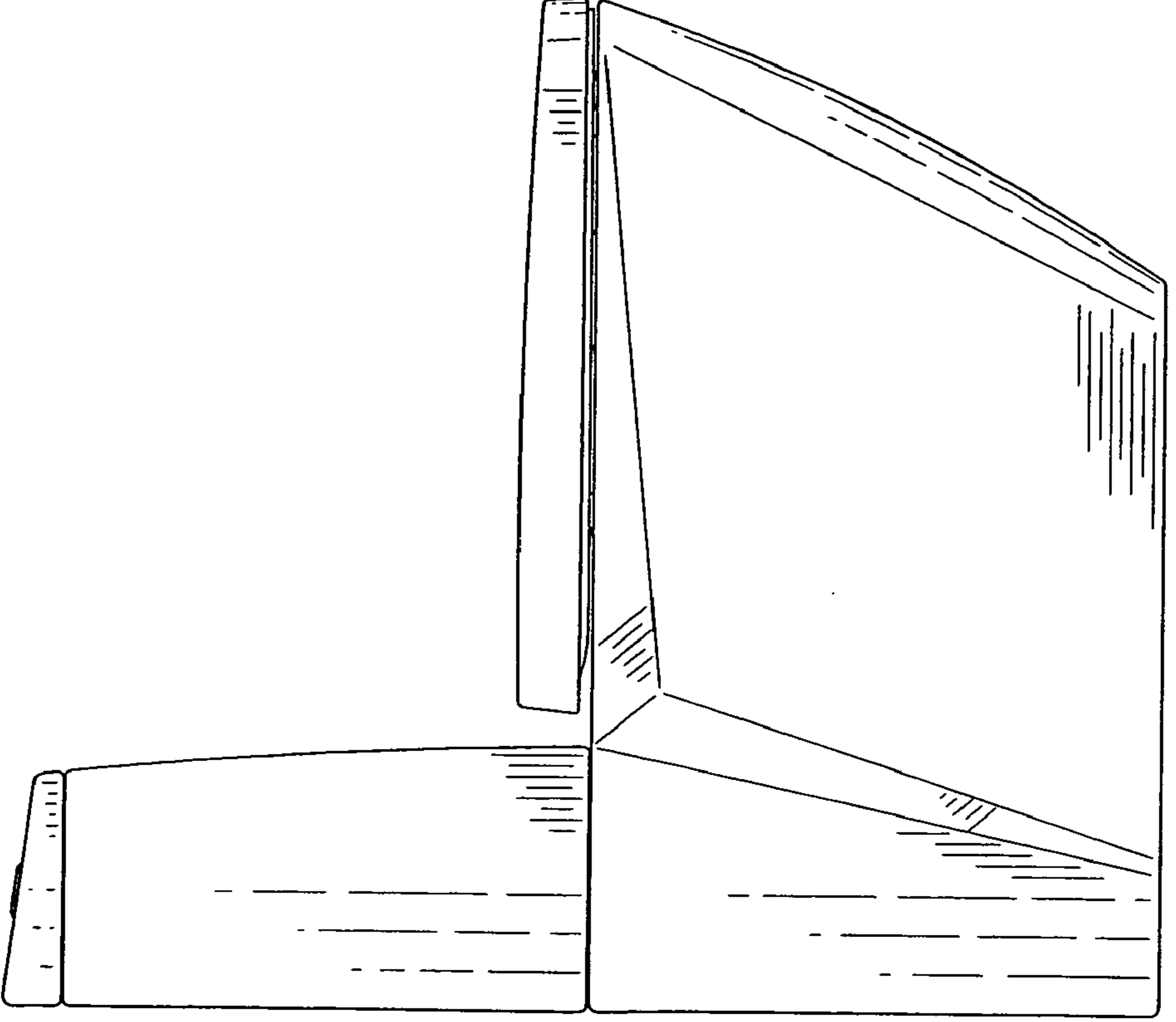


FIG. 4

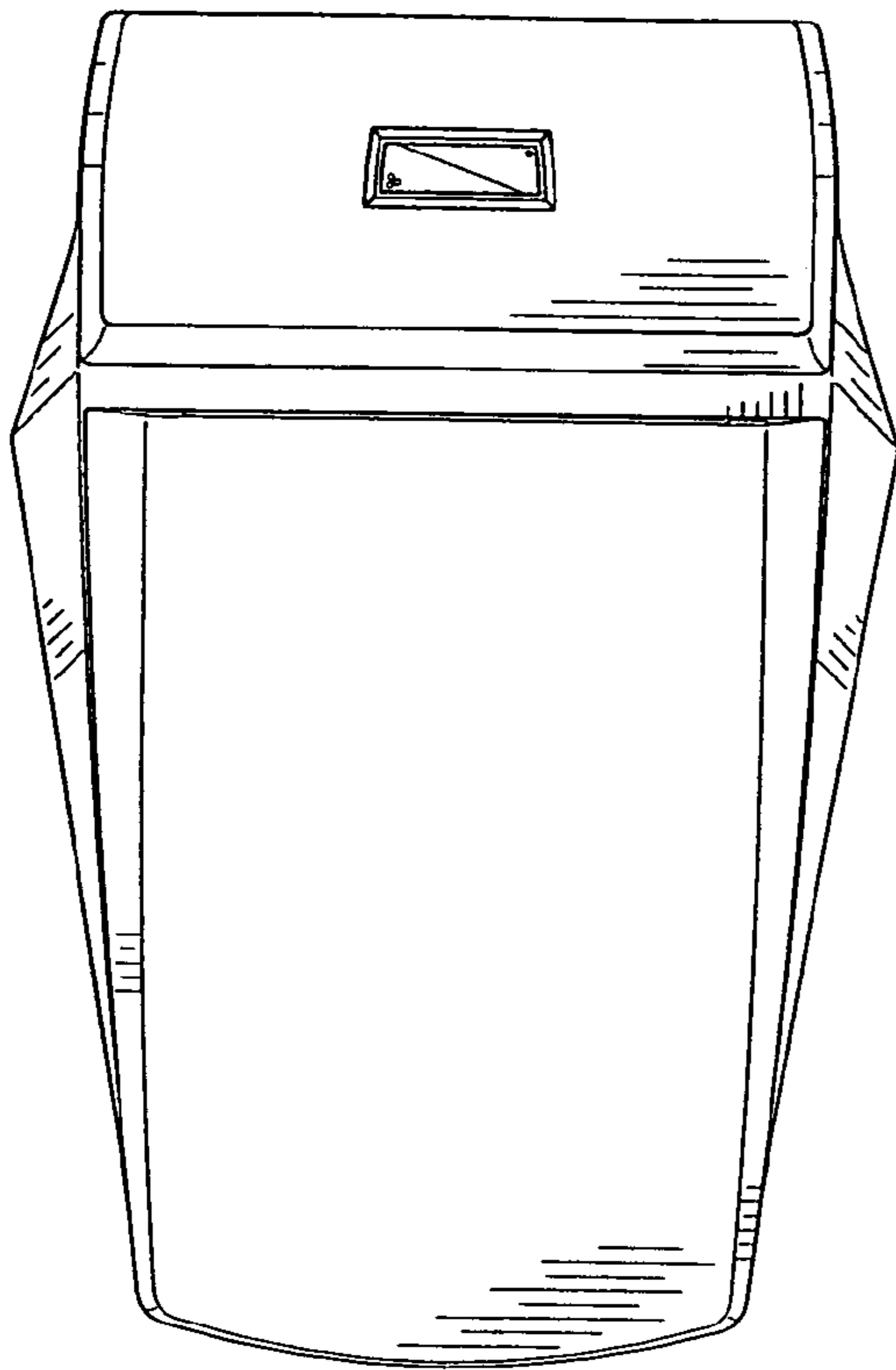


FIG. 6

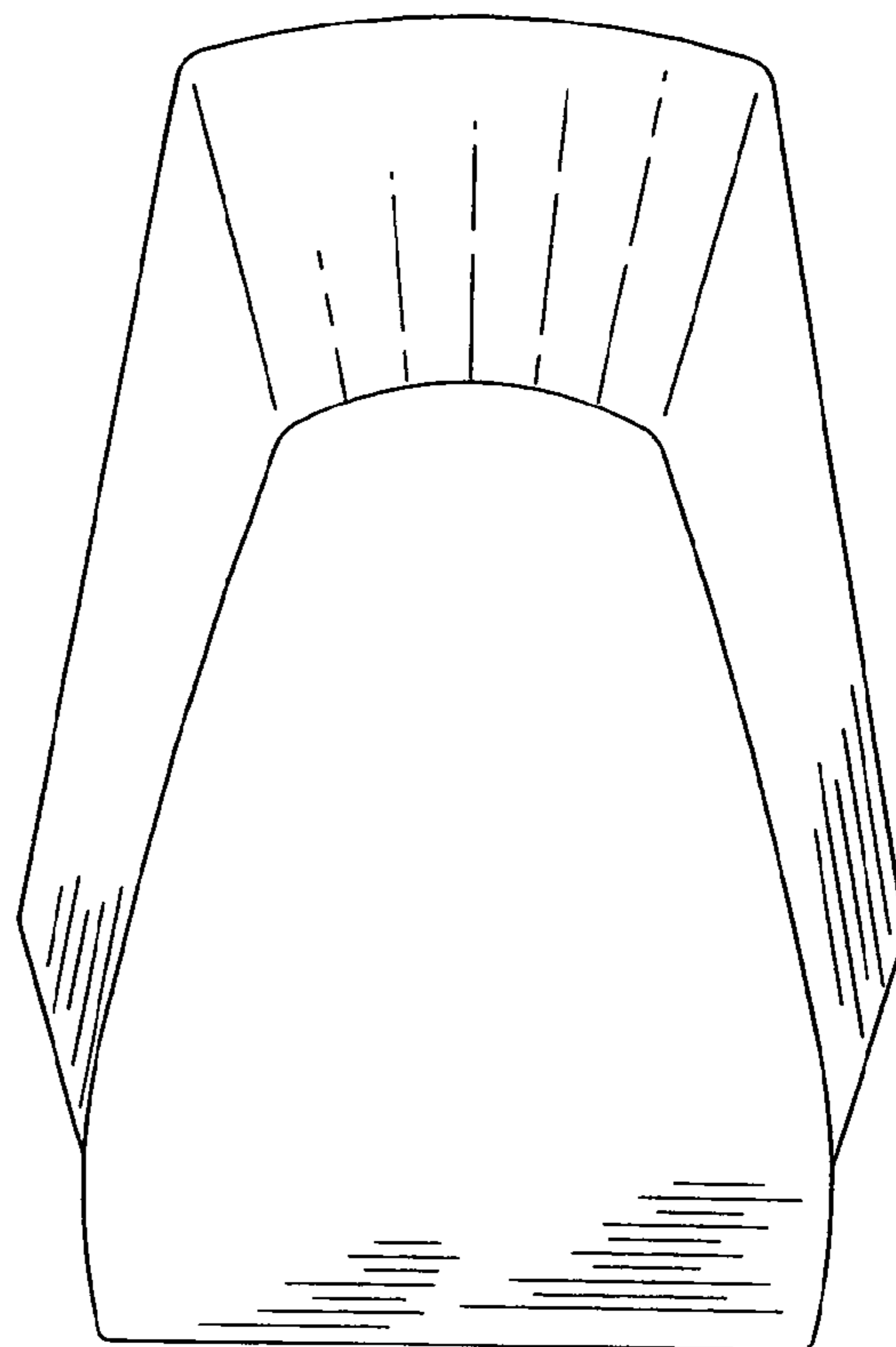


FIG. 7