



US00D559353S

(12) **United States Design Patent**
Chih

(10) **Patent No.:** **US D559,353 S**

(45) **Date of Patent:** **** Jan. 8, 2008**

(54) **SPRINKLING GUN**

6,945,474 B1 * 9/2005 Chen 239/526

(76) Inventor: **Gordon Chih**, No. 33, Tien-Yang Lane., Chao-An Li, Lu-Kang Chen, Changhua Hsien (TW)

* cited by examiner

Primary Examiner—Robin V Webster
(74) *Attorney, Agent, or Firm*—Troxell Law Office, PLLC

(**) Term: **14 Years**

(57) **CLAIM**

(21) Appl. No.: **29/264,214**

The ornamental design for a sprinkling gun, as shown and described.

(22) Filed: **Aug. 7, 2006**

(51) **LOC (8) Cl.** **23-01**

(52) **U.S. Cl.** **D23/226**

(58) **Field of Classification Search** D23/213,
D23/223, 226; 239/525-7, 459

See application file for complete search history.

DESCRIPTION

(56) **References Cited**

U.S. PATENT DOCUMENTS

D370,713 S *	6/1996	Guo	D23/223
D387,128 S *	12/1997	Wang	D23/223
D447,790 S *	9/2001	Heren et al.	D23/226
D458,984 S *	6/2002	Chen	D23/226
D459,440 S *	6/2002	Chen	D23/226

FIG. 1 is a perspective view of a sprinkling gun showing my design;

FIG. 2 is a front view thereof;

FIG. 3 is a rear view thereof;

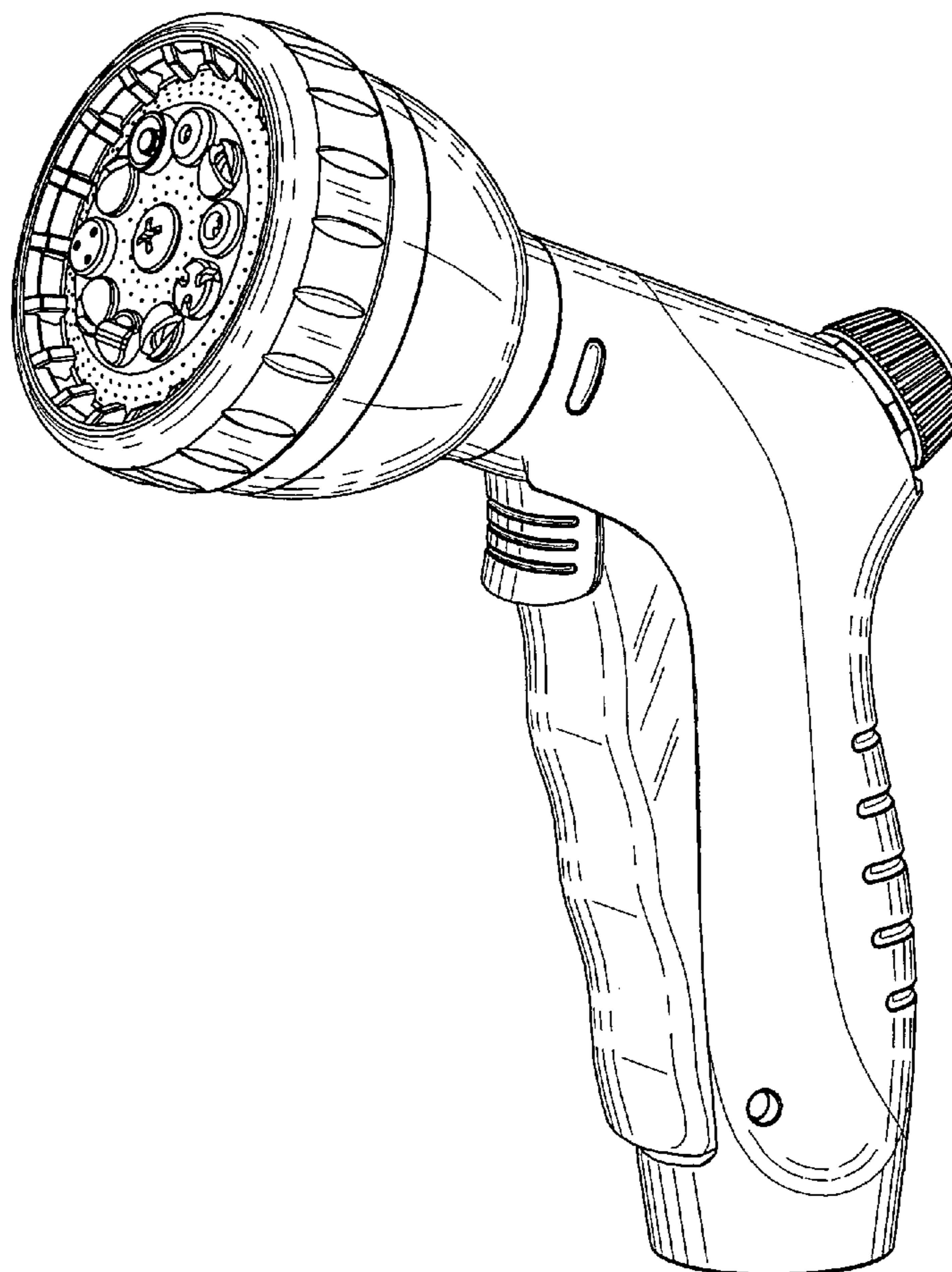
FIG. 4 is a left side view thereof;

FIG. 5 is a right side view thereof;

FIG. 6 is a top view thereof; and,

FIG. 7 is a bottom view thereof.

1 Claim, 5 Drawing Sheets



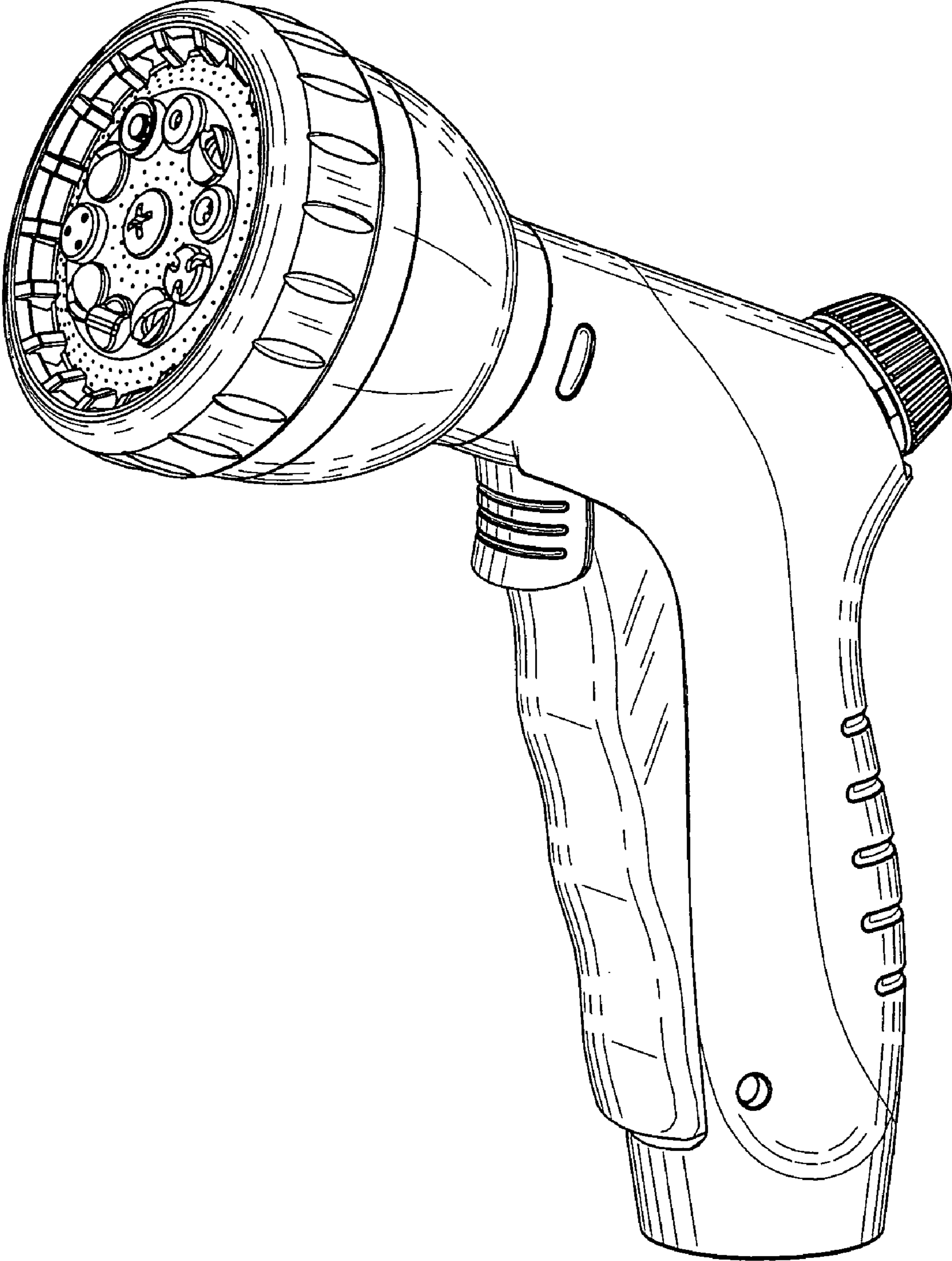


Fig. 1

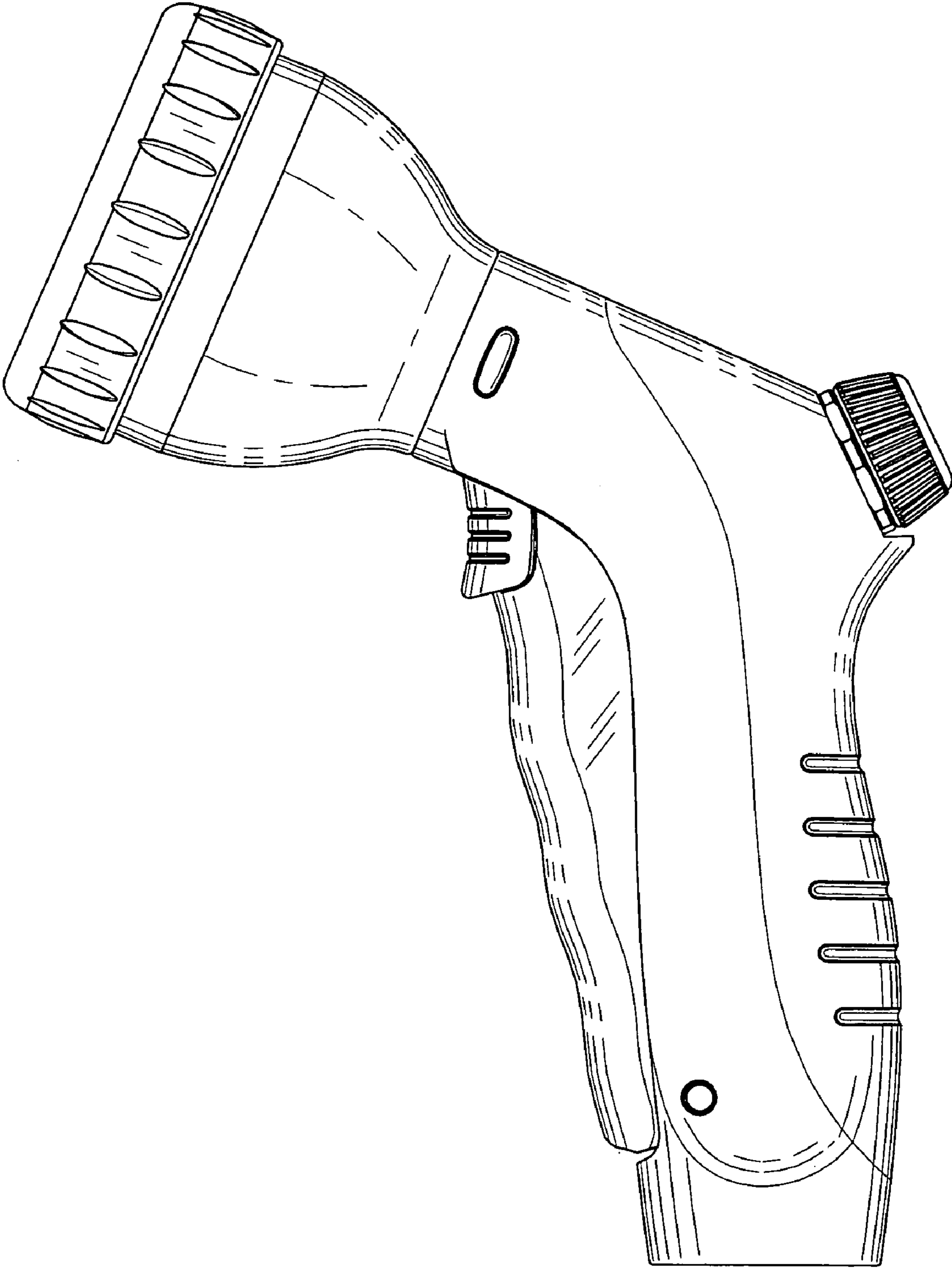


Fig. 2

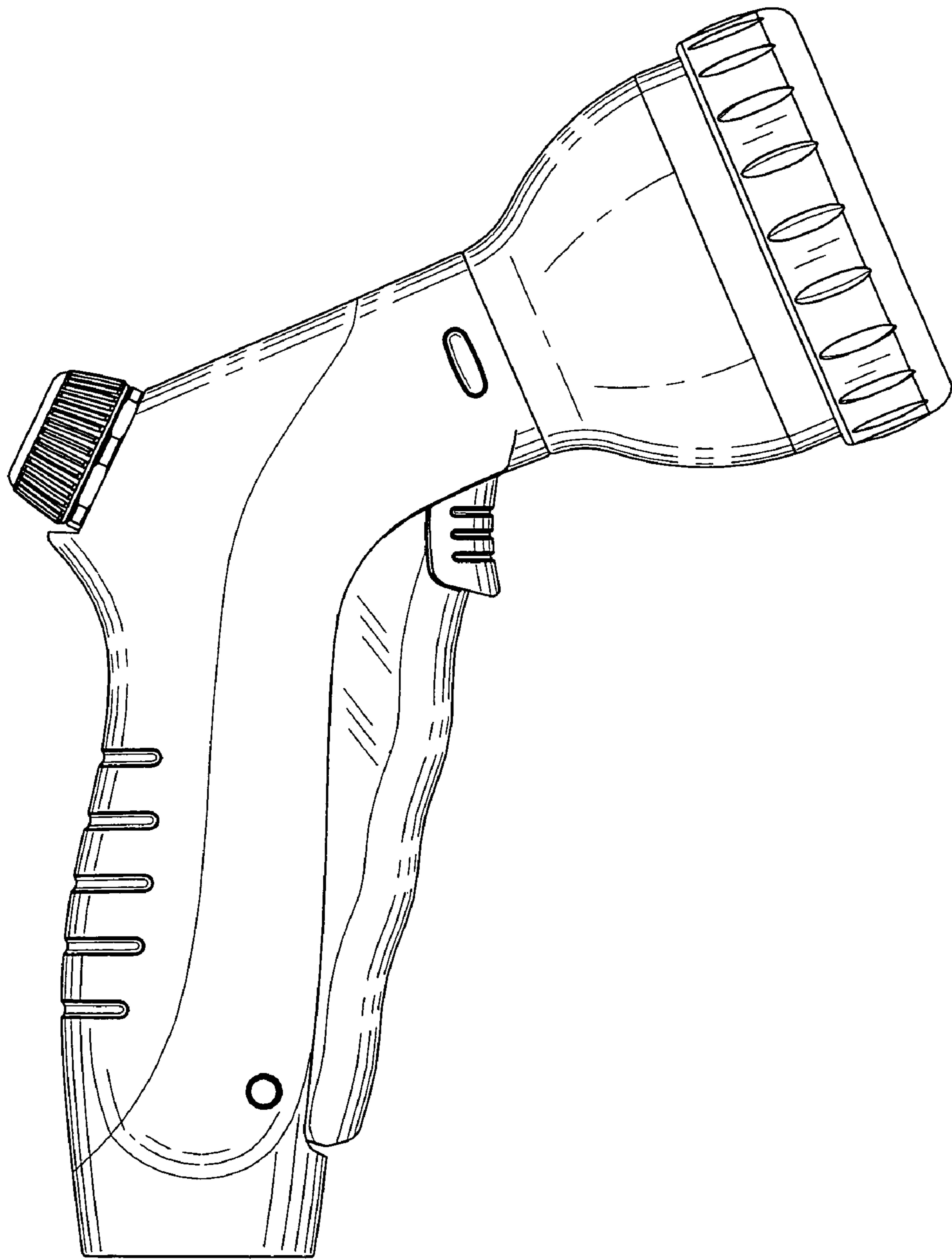


Fig. 3

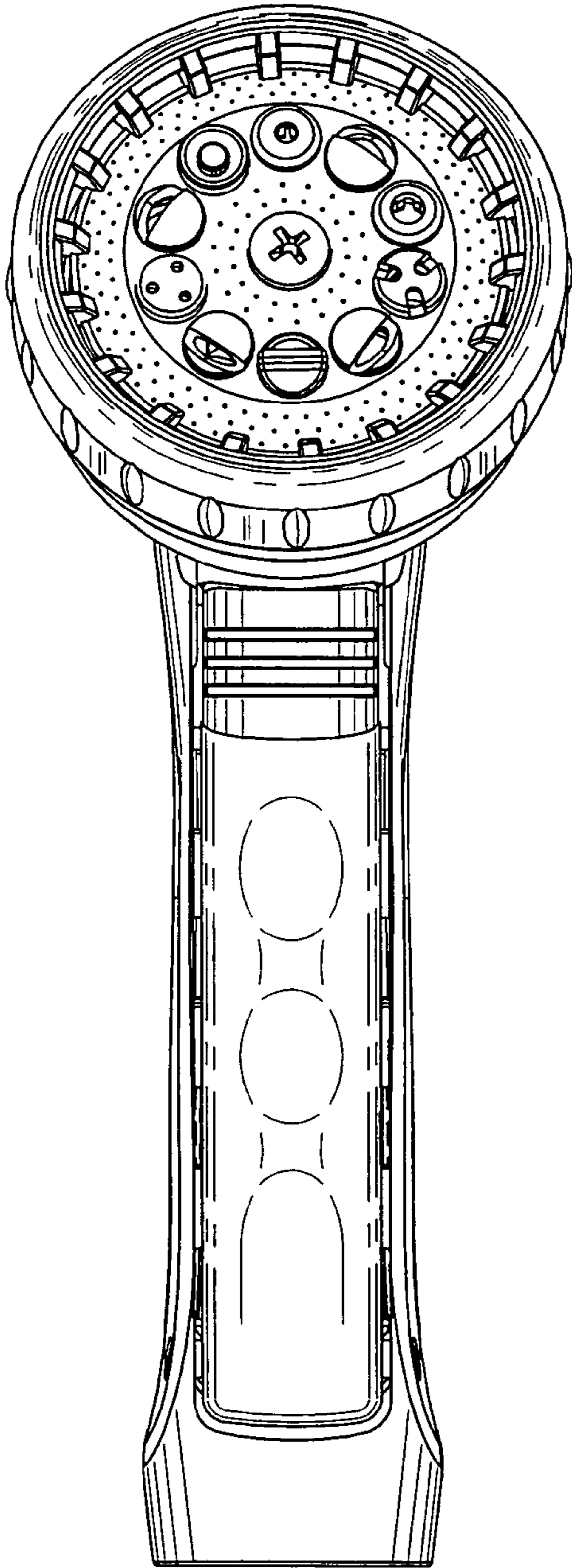


Fig. 4

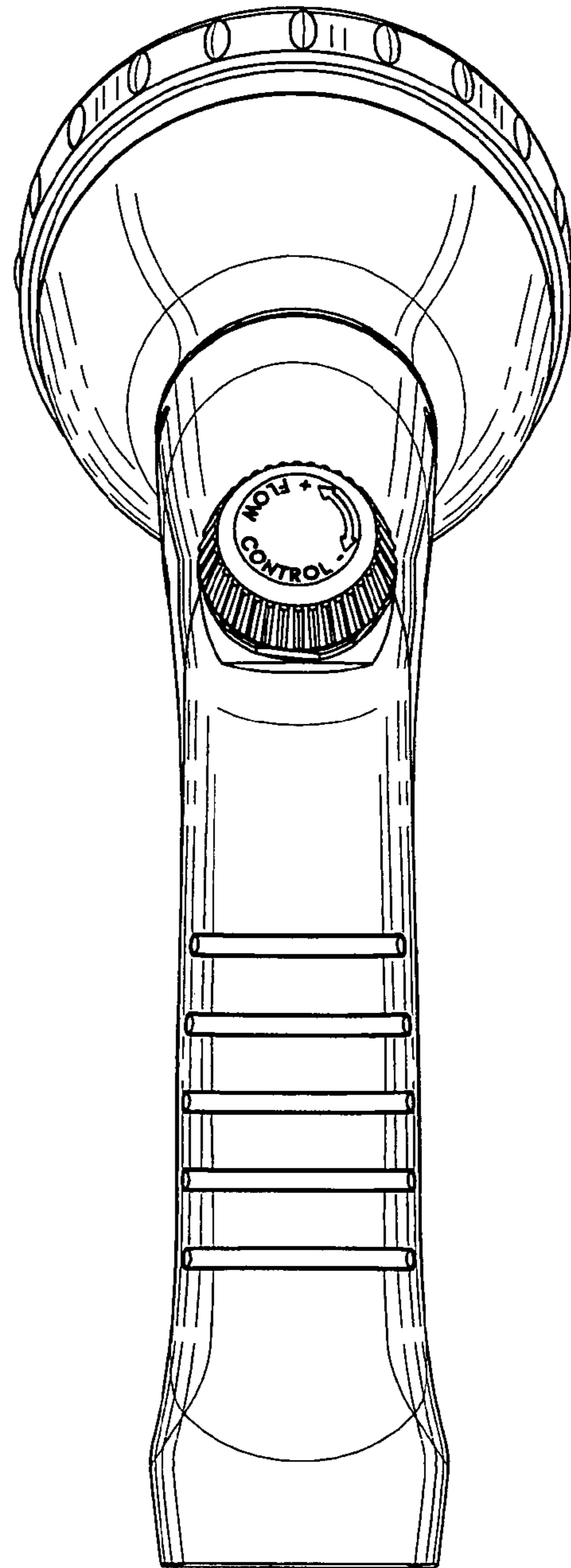


Fig. 5

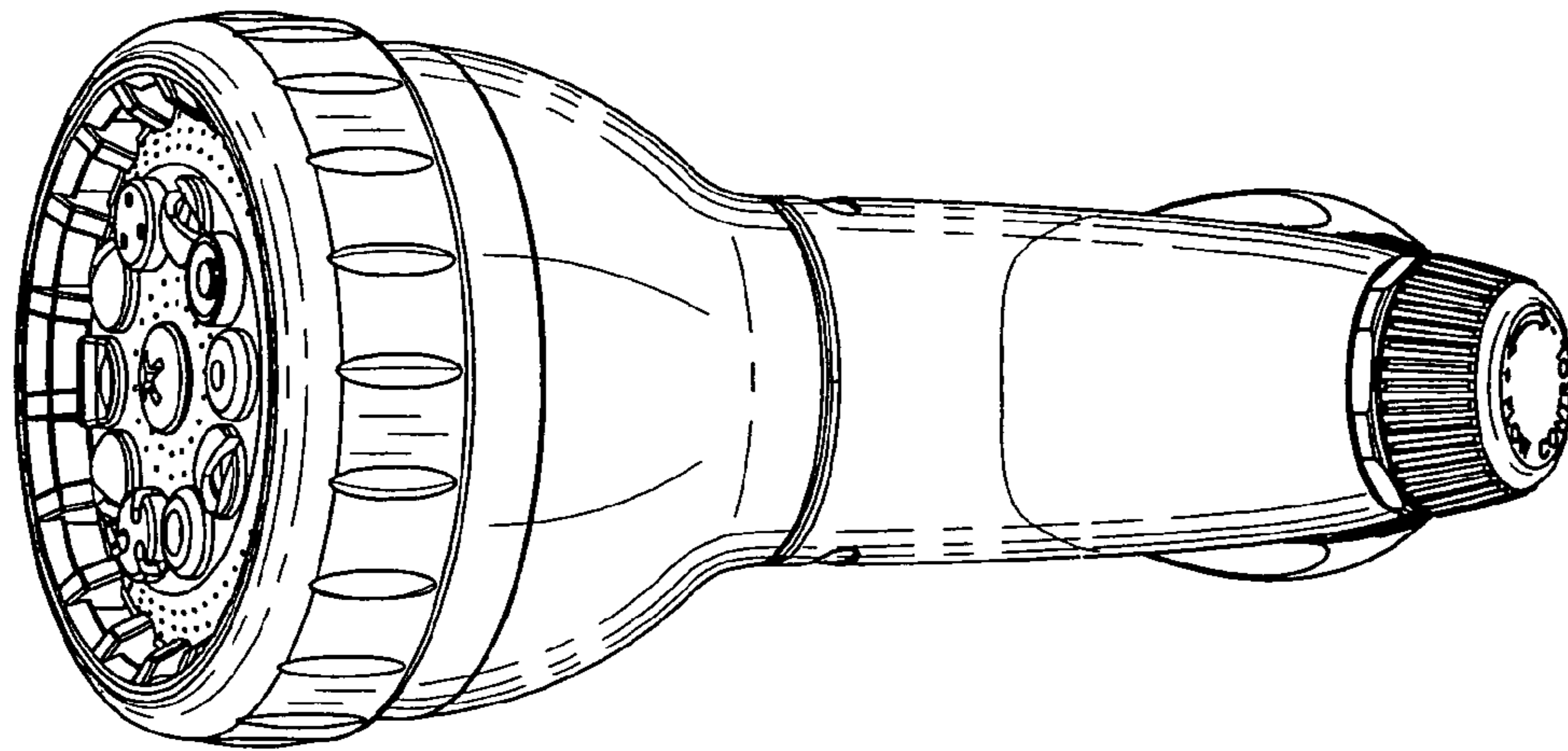


Fig. 6

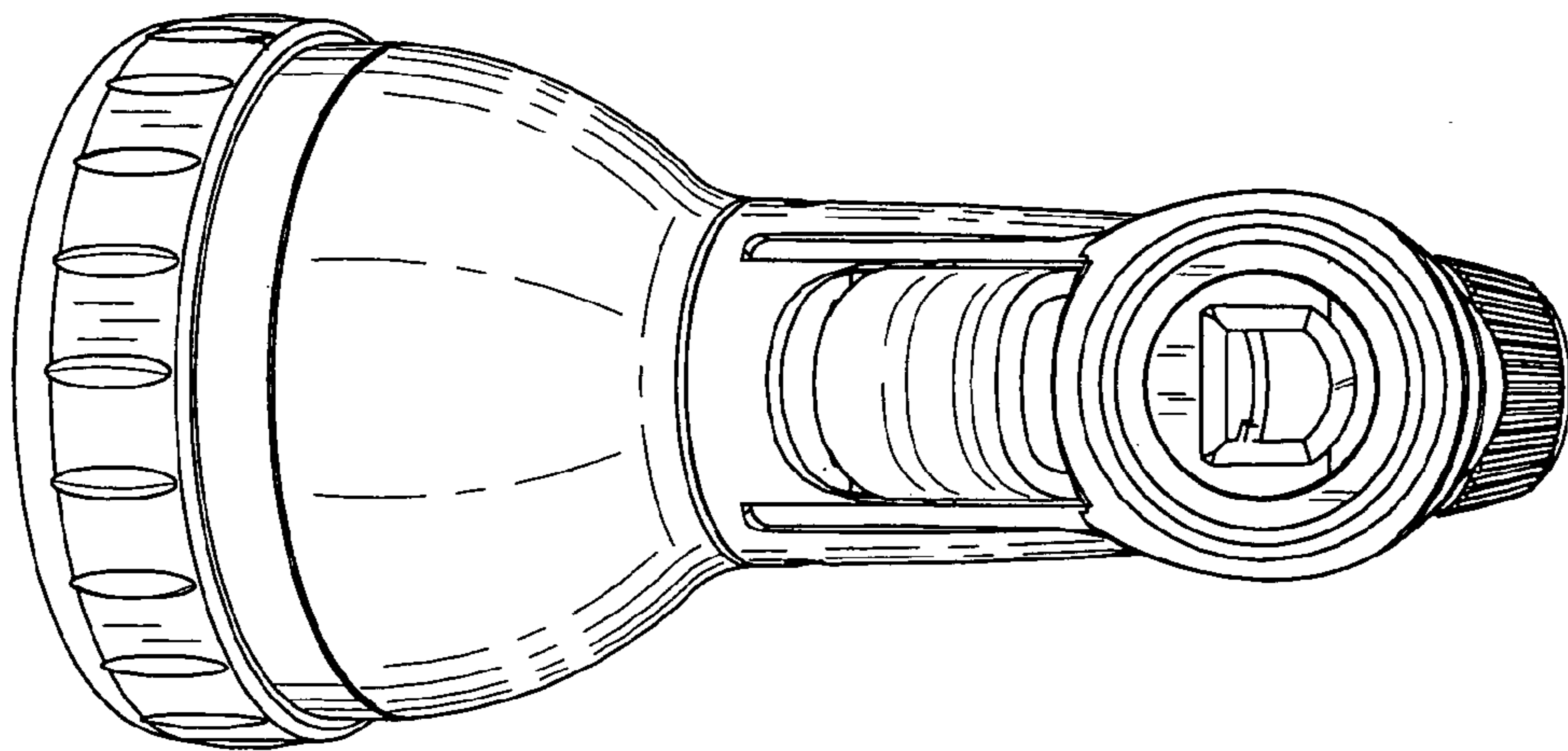


Fig. 7