



US00D559351S

(12) **United States Design Patent**
Lo

(10) **Patent No.:** **US D559,351 S**
(45) **Date of Patent:** **** Jan. 8, 2008**

(54) **SPRINKLER BASE**

D501,535 S * 2/2005 Wang D23/214
D510,405 S * 10/2005 Sener et al. D23/221

(75) Inventor: **Shun Nan Lo**, Changhua Hsien (TW)

* cited by examiner

(73) Assignee: **Yuan Mei Corp.**, Changhua Hsien (TW)

Primary Examiner—Robin V. Webster
(74) *Attorney, Agent, or Firm*—Troxell Law Office, PLLC

(**) Term: **14 Years**

(57) **CLAIM**

(21) Appl. No.: **29/268,968**

The ornamental design for the “sprinkler base,” as shown and described.

(22) Filed: **Nov. 17, 2006**

(51) **LOC (8) Cl.** **23-01**

(52) **U.S. Cl.** **D23/221**

(58) **Field of Classification Search** D23/214,
D23/216, 221; 239/273–275, 276, 242
See application file for complete search history.

DESCRIPTION

(56) **References Cited**

U.S. PATENT DOCUMENTS

1,938,837 A * 12/1933 Ittner 239/222.17
2,011,320 A * 8/1935 Keys 239/262
D358,449 S * 5/1995 Ford D23/214
D421,640 S * 3/2000 Chih D23/221
D432,207 S * 10/2000 Hsin-Fa D23/221

FIG. 1 is a perspective view of a sprinkler base showing my new design;

FIG. 2 is a front view thereof;

FIG. 3 is a rear view thereof;

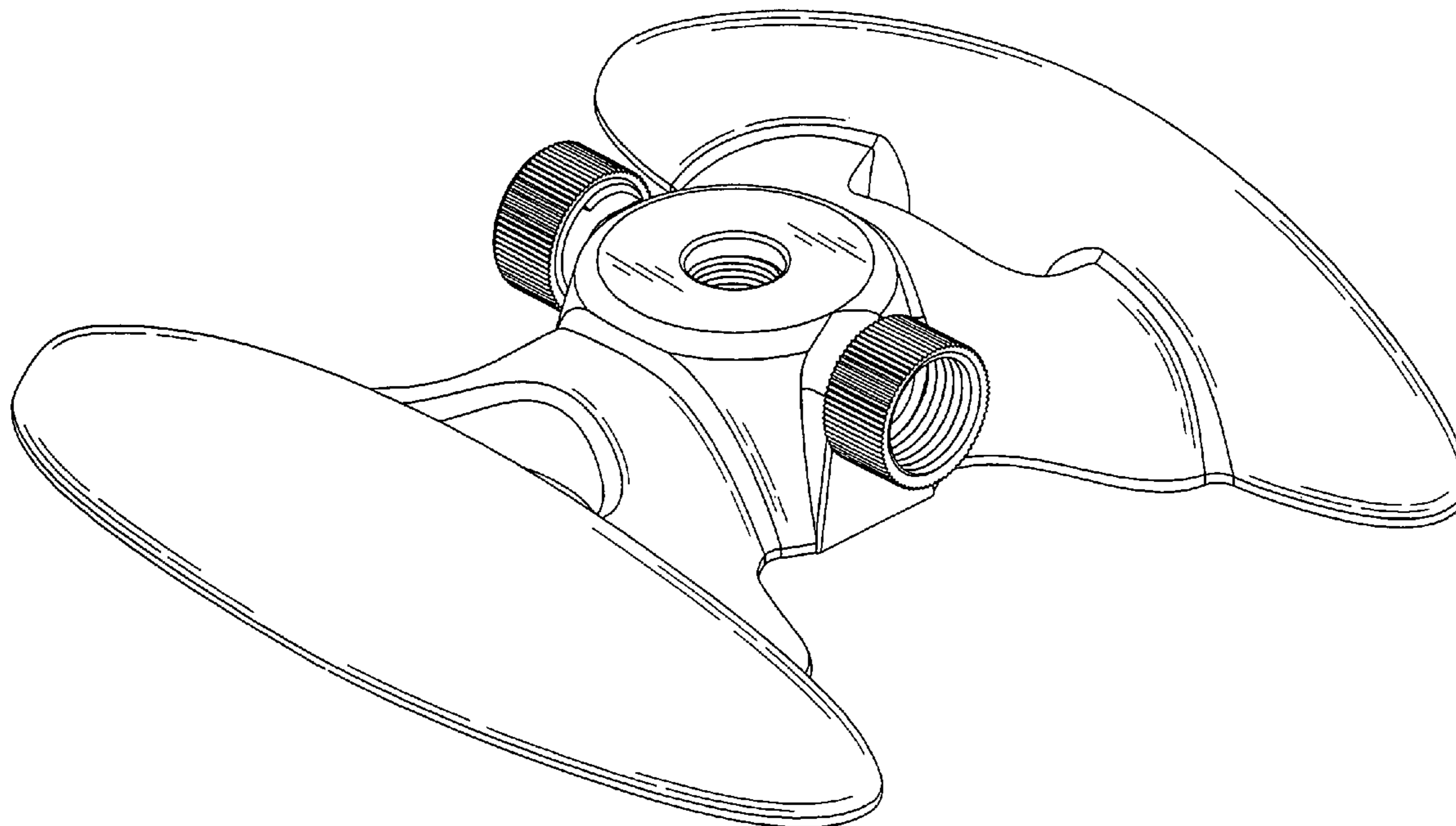
FIG. 4 is a left side view thereof;

FIG. 5 is a right side view thereof;

FIG. 6 is a top view thereof; and,

FIG. 7 is a bottom view thereof.

1 Claim, 7 Drawing Sheets



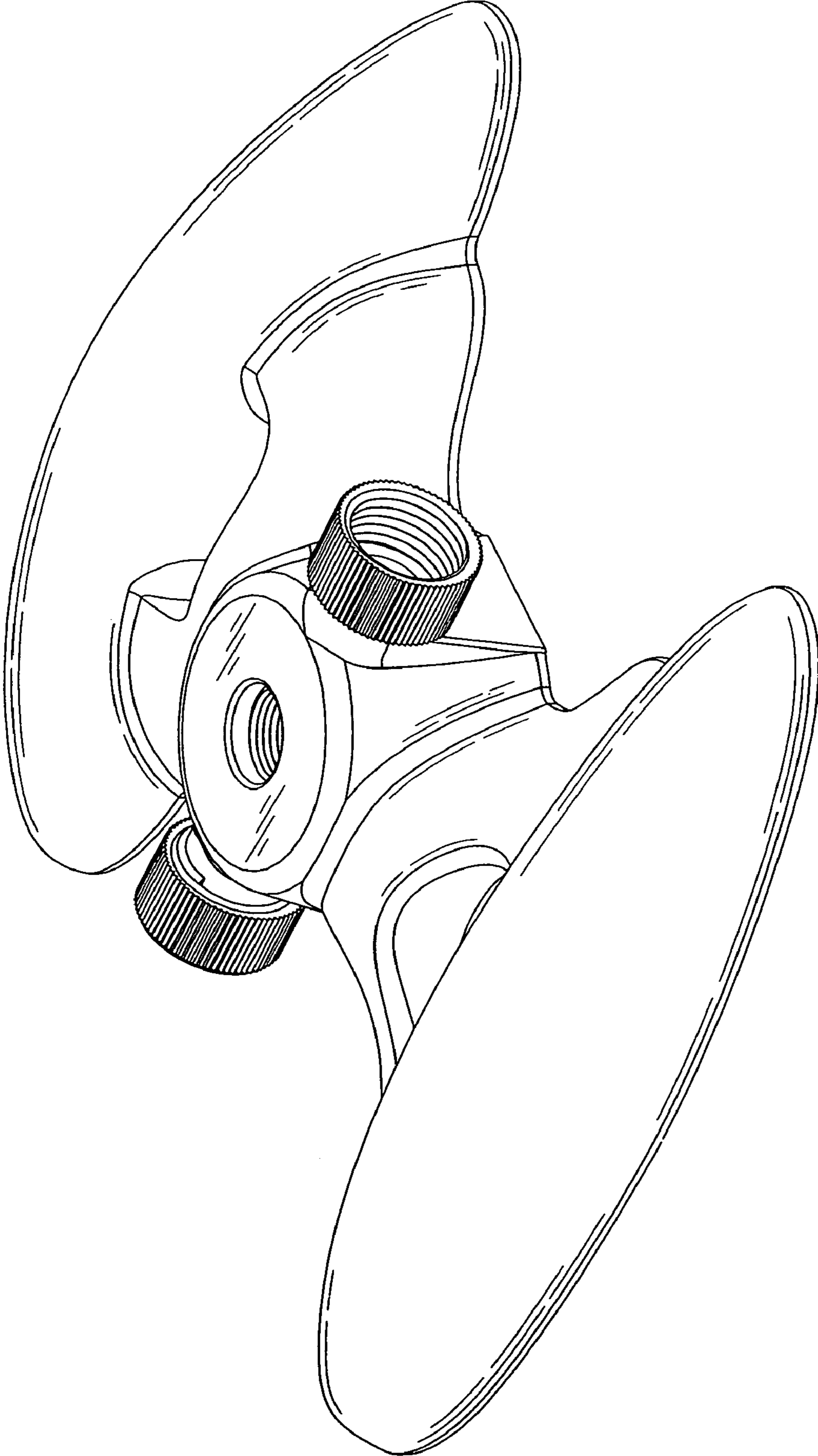


FIG. 1

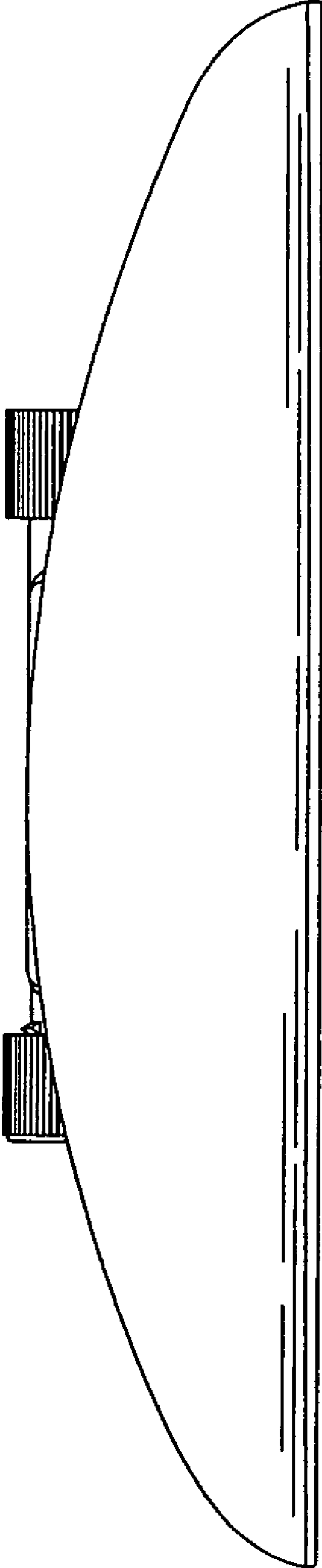


FIG. 2

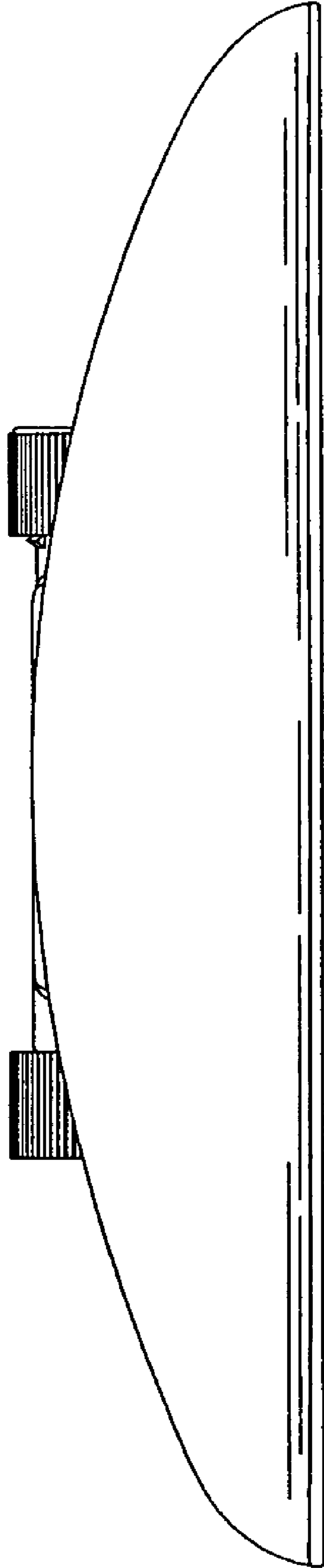


FIG. 3

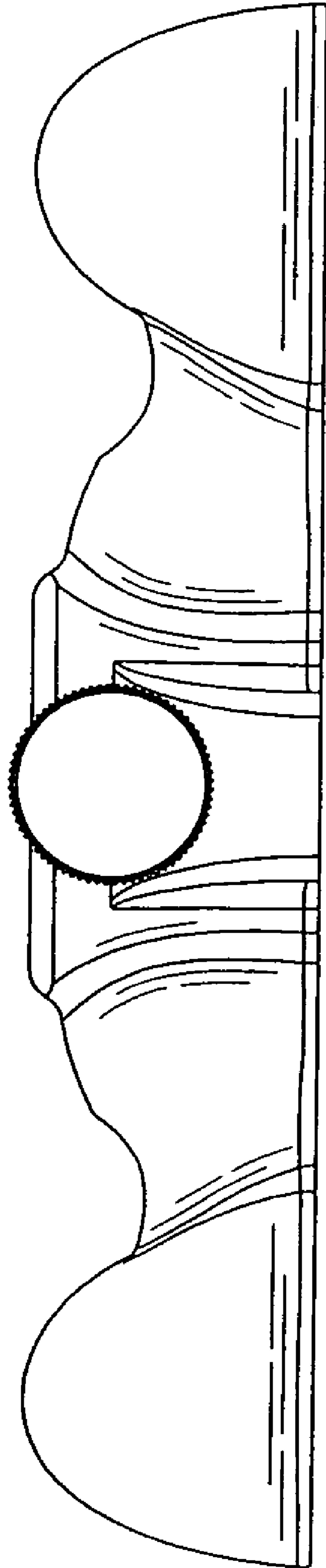


FIG. 4

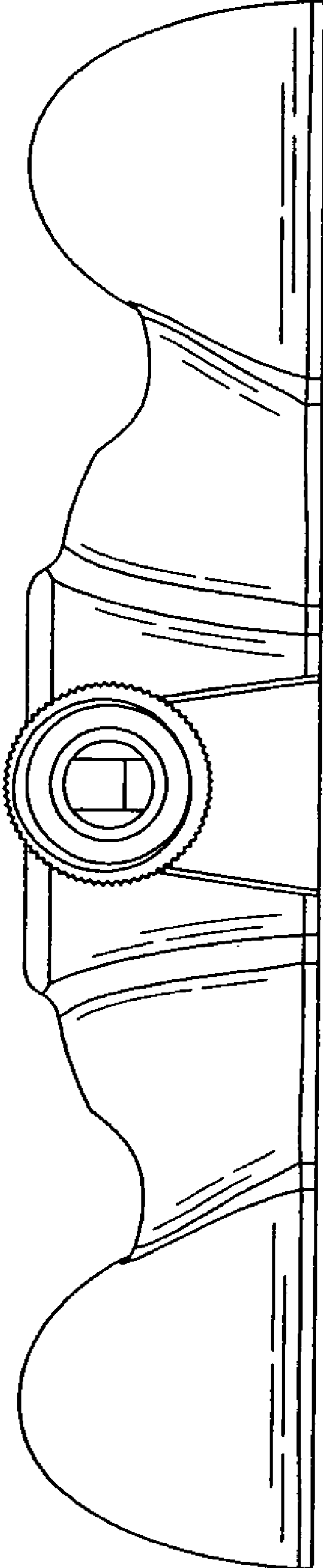


FIG. 5

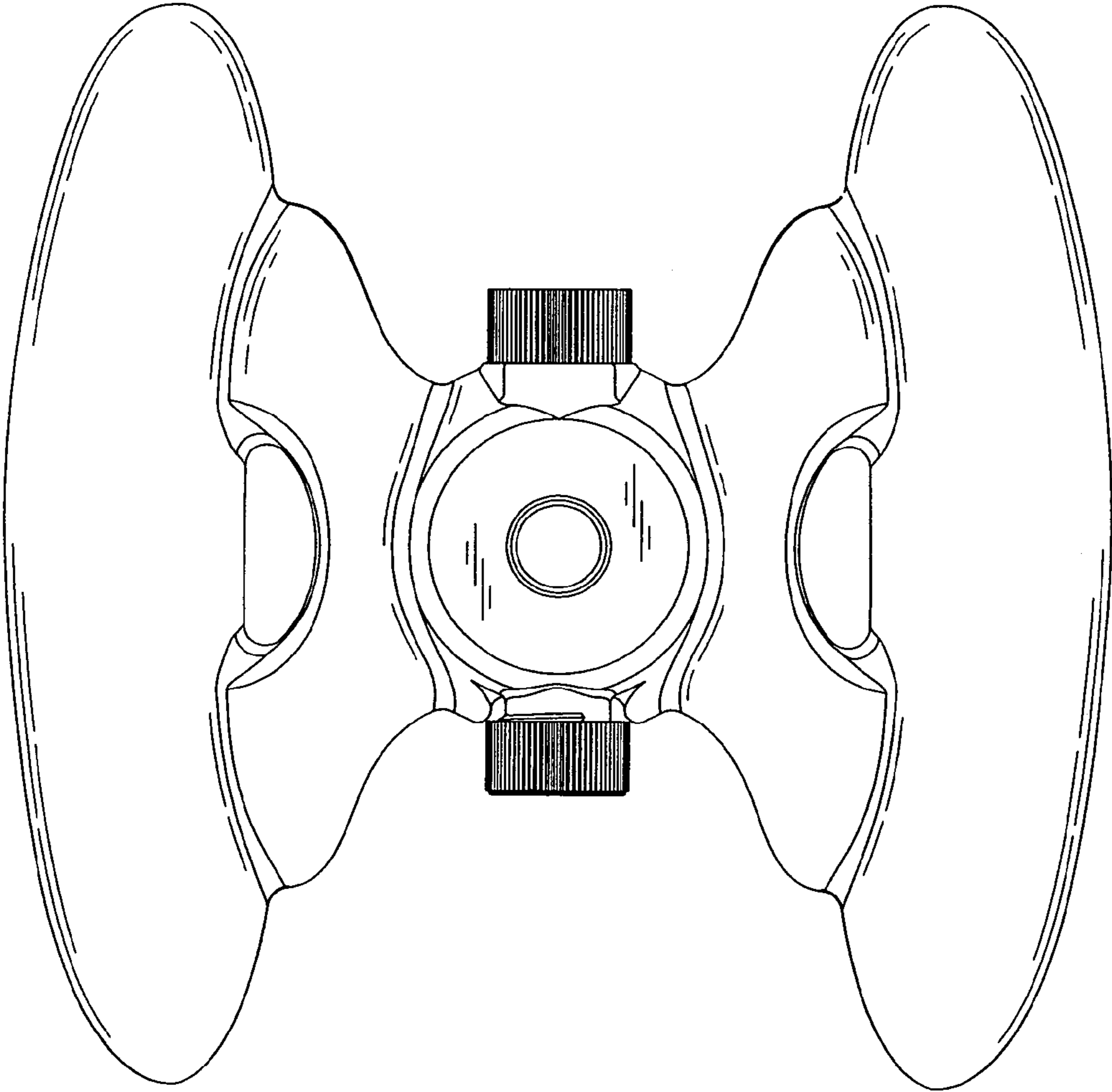


FIG. 6

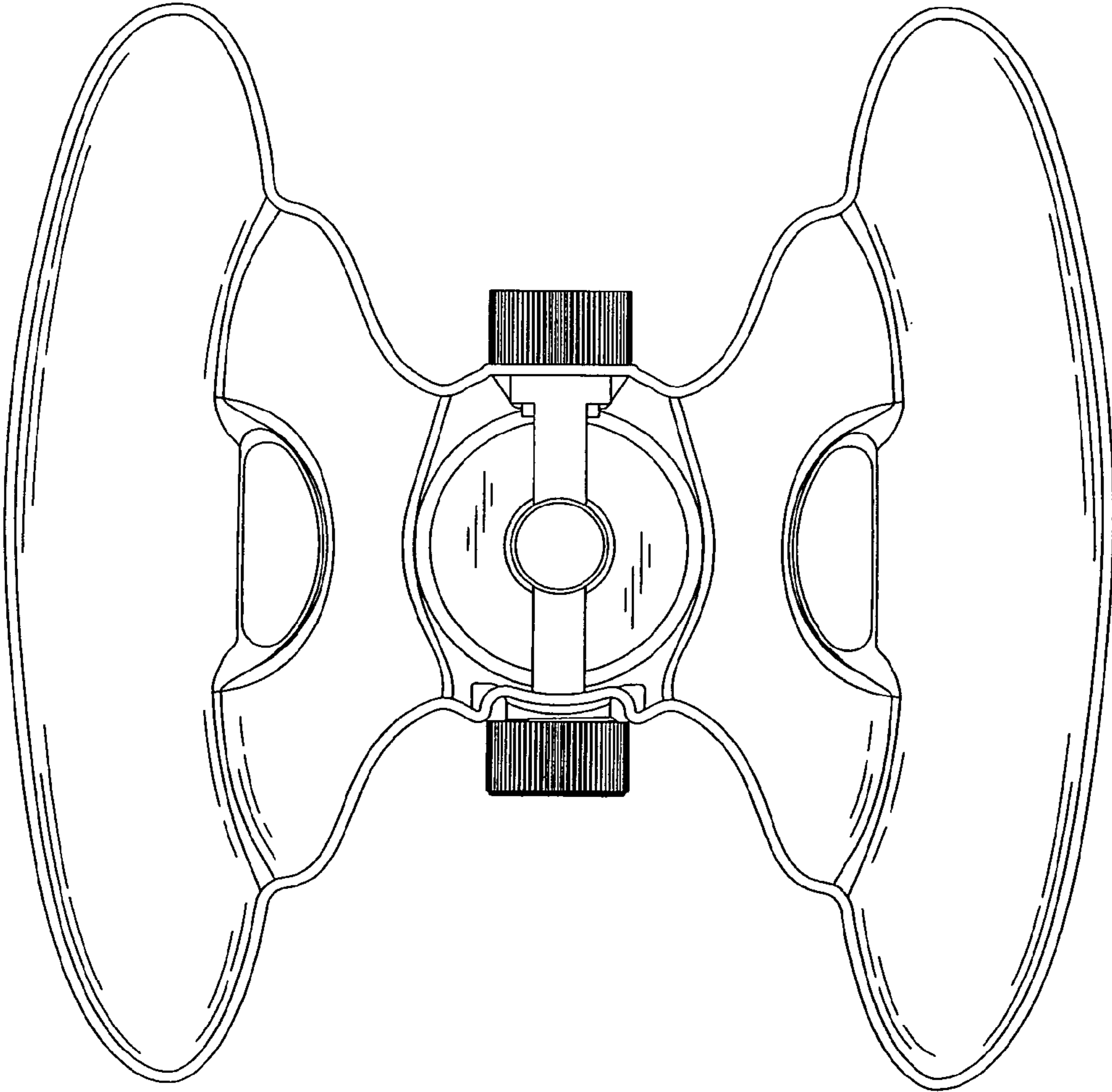


FIG. 7