



US00D559349S

(12) **United States Design Patent**
Brown

(10) **Patent No.:** **US D559,349 S**
(45) **Date of Patent:** **** Jan. 8, 2008**

(54) **PORTABLE FILTER**

(75) Inventor: **Dennis Brown**, Logan, UT (US)

(73) Assignee: **Aquamira Technologies, Inc.**, Logan, UT (US)

(**) Term: **14 Years**

(21) Appl. No.: **29/248,326**

(22) Filed: **Aug. 9, 2006**

(51) **LOC (8) Cl.** **23-01**

(52) **U.S. Cl.** **D23/209**

(58) **Field of Classification Search** D23/207,
D23/209, 210, 365; 210/282, 232, 445-6
See application file for complete search history.

(56) **References Cited**

U.S. PATENT DOCUMENTS

6,048,456	A	*	4/2000	Palmer	210/282
D448,448	S	*	9/2001	Hughes et al.	D23/209
D493,207	S	*	7/2004	Ueda et al.	D23/209
D496,986	S	*	10/2004	King	D23/209
D497,406	S	*	10/2004	King	D23/209

* cited by examiner

Primary Examiner—Robin V. Webster

(74) *Attorney, Agent, or Firm*—Holme Roberts & Owen LLP

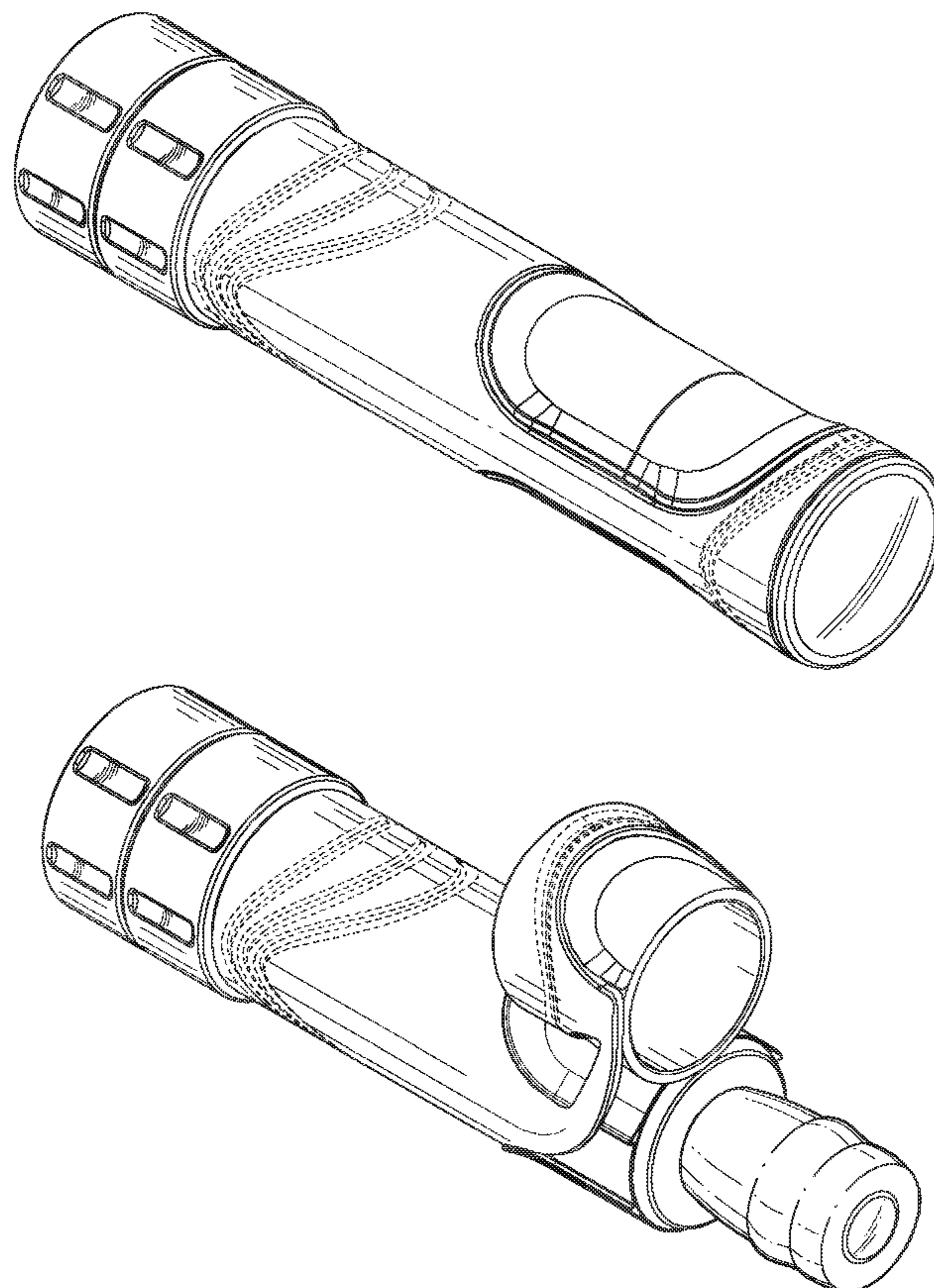
(57) **CLAIM**

The ornamental design for a portable filter, as shown.

DESCRIPTION

FIG. 1 is a front perspective view of the portable filter.
 FIG. 2 is a rear perspective view of the portable filter.
 FIG. 3 is a right side view of the portable filter.
 FIG. 4 is a top side view of the portable filter.
 FIG. 5 is a front view of the portable filter.
 FIG. 6 is a rear view of the portable filter.
 FIG. 7 is another front perspective view of the portable filter, shown with the cap in an alternate position;
 FIG. 8 is another rear perspective view of the portable filter.
 FIG. 9 is another right side view of the portable filter.
 FIG. 10 is another front view of the portable filter.
 FIG. 11 is another top side view of the portable filter.
 FIG. 12 is a bottom side view of the portable filter; and,
 FIG. 13 is another rear view of the portable filter.

1 Claim, 5 Drawing Sheets



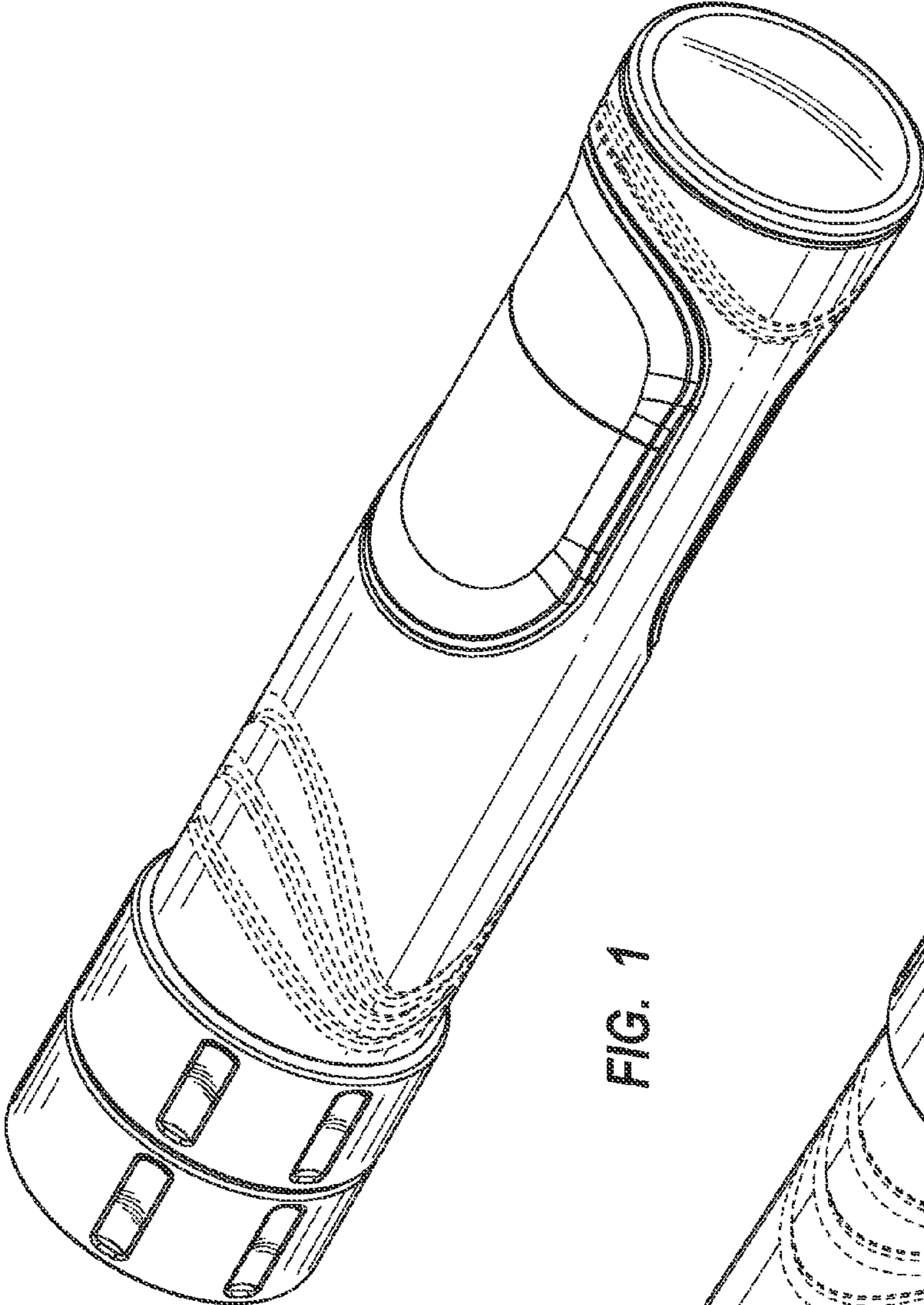


FIG. 1

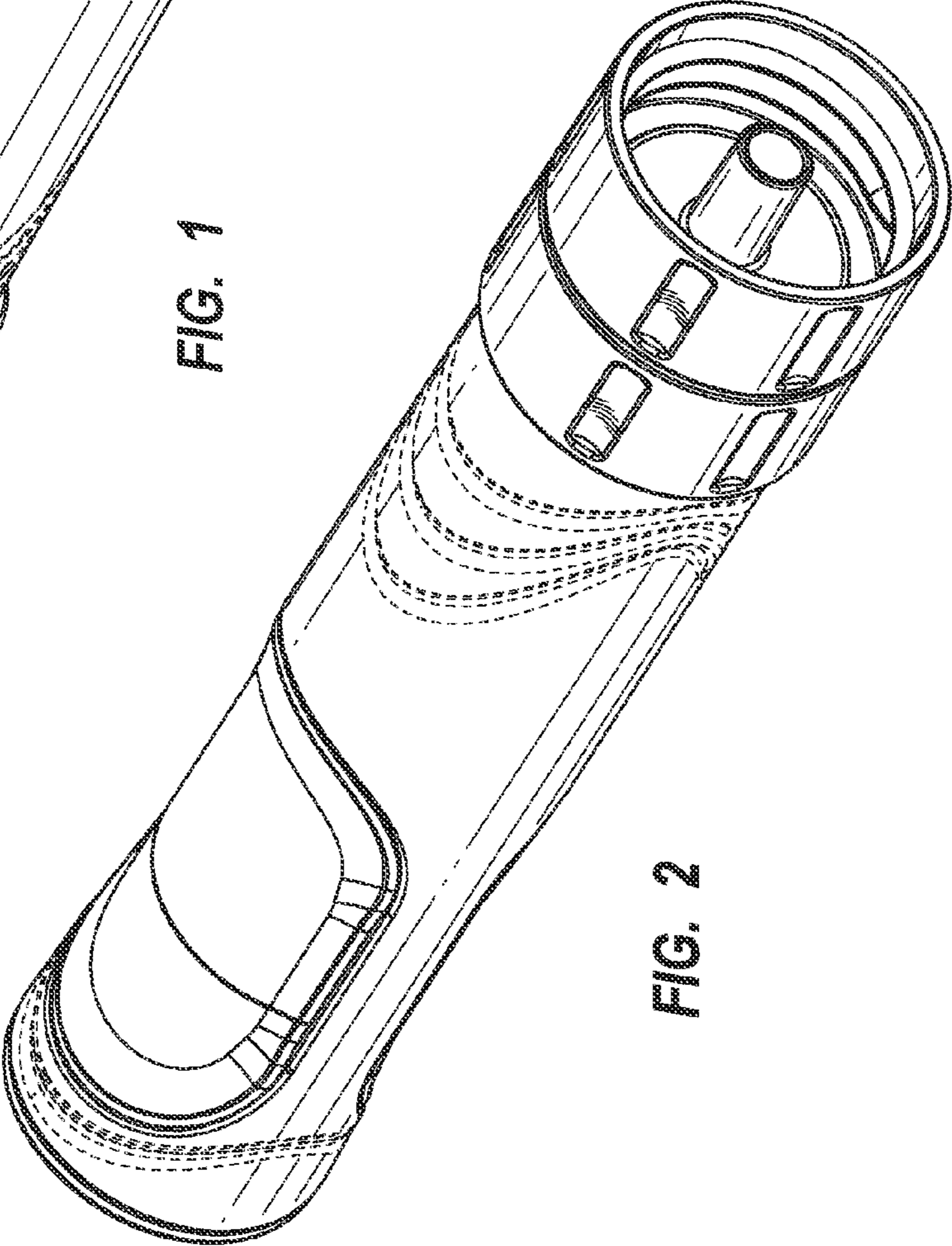


FIG. 2

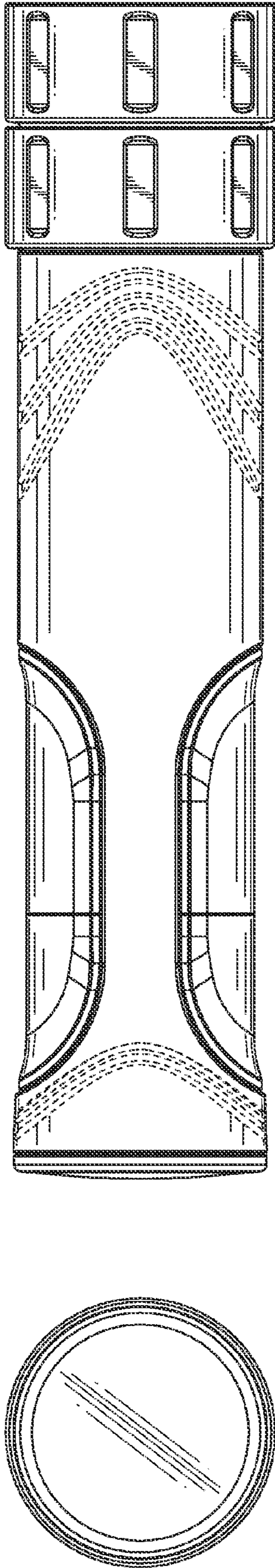


FIG. 3

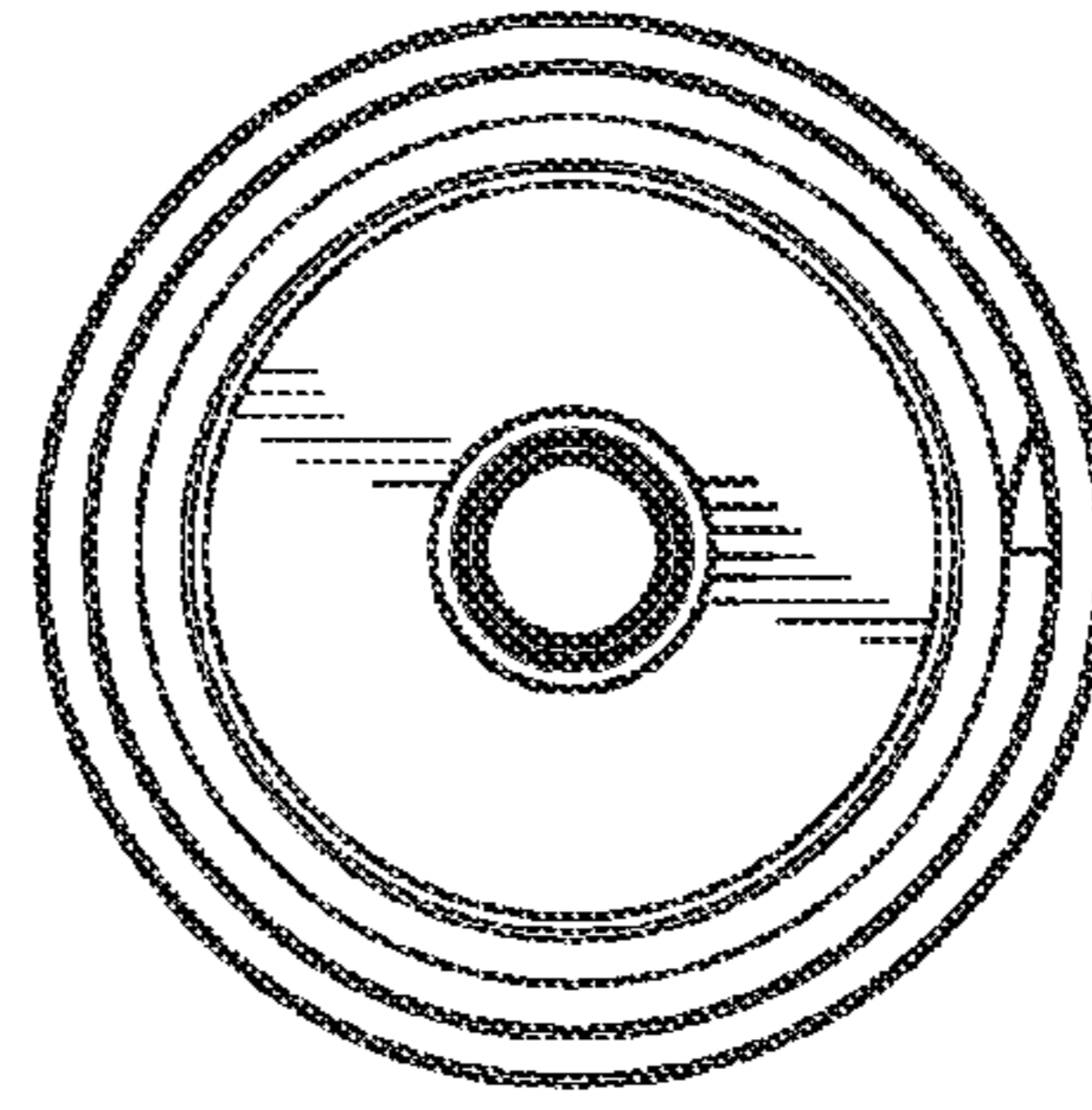


FIG. 6

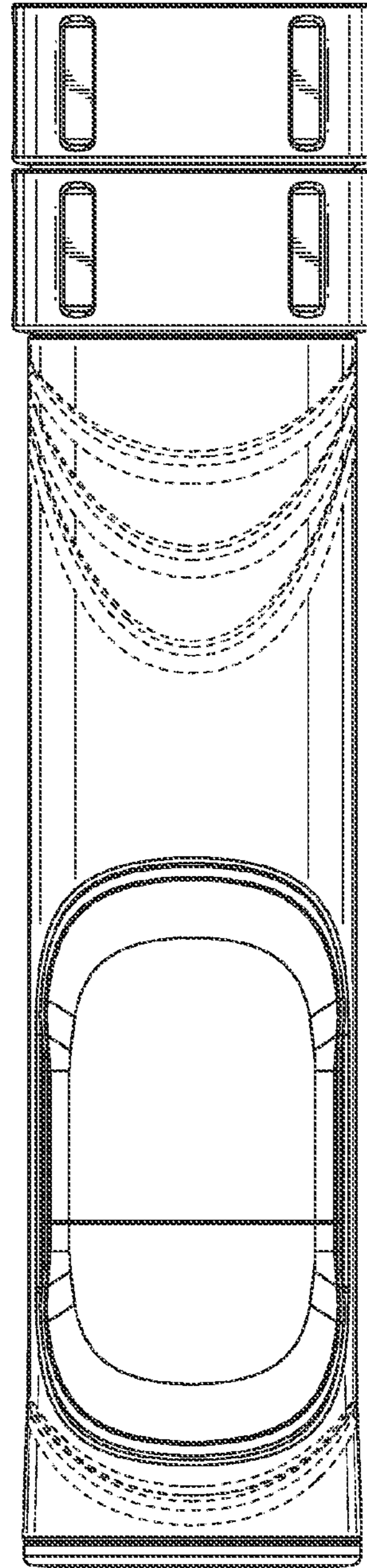


FIG. 4

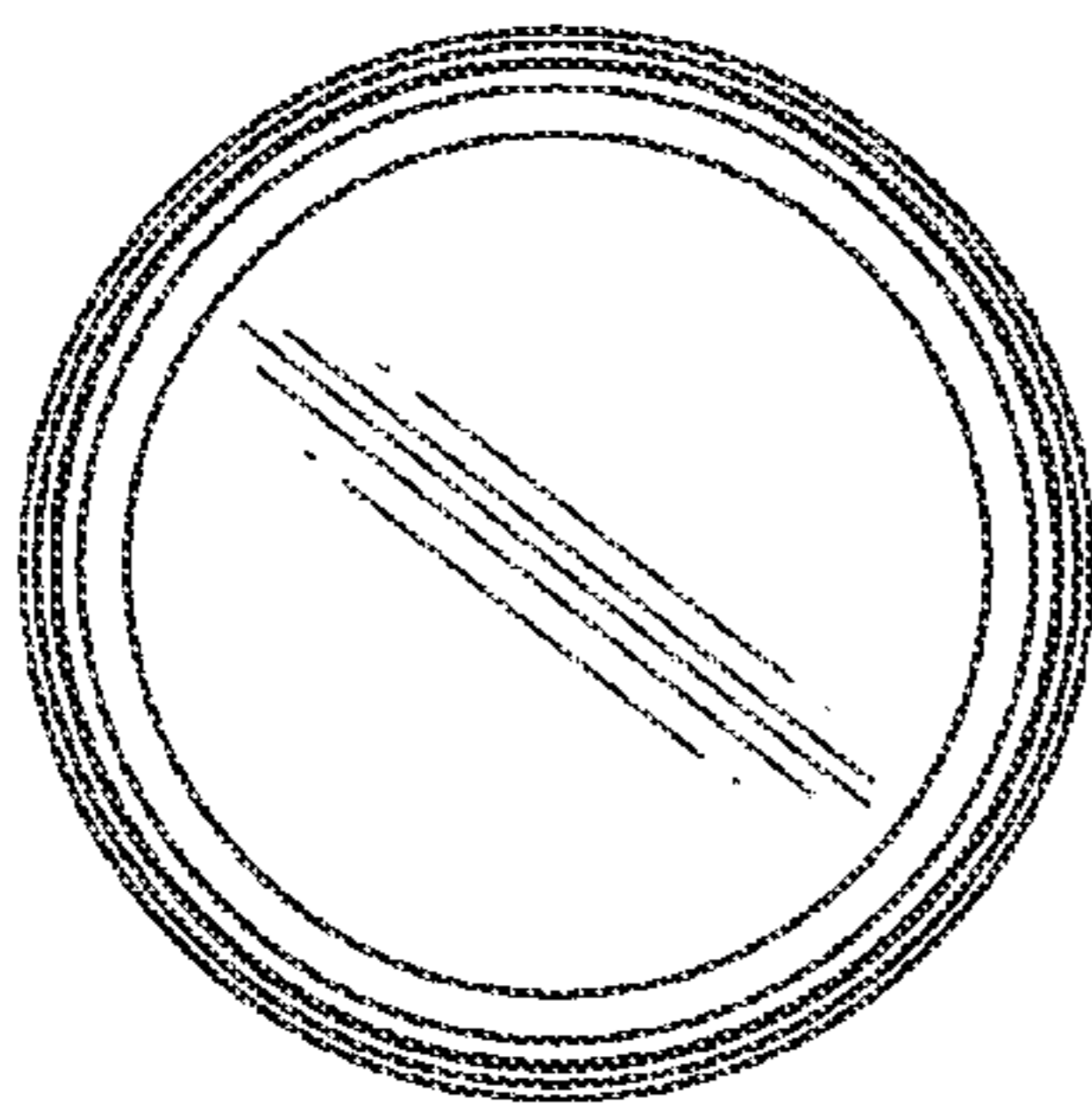


FIG. 5

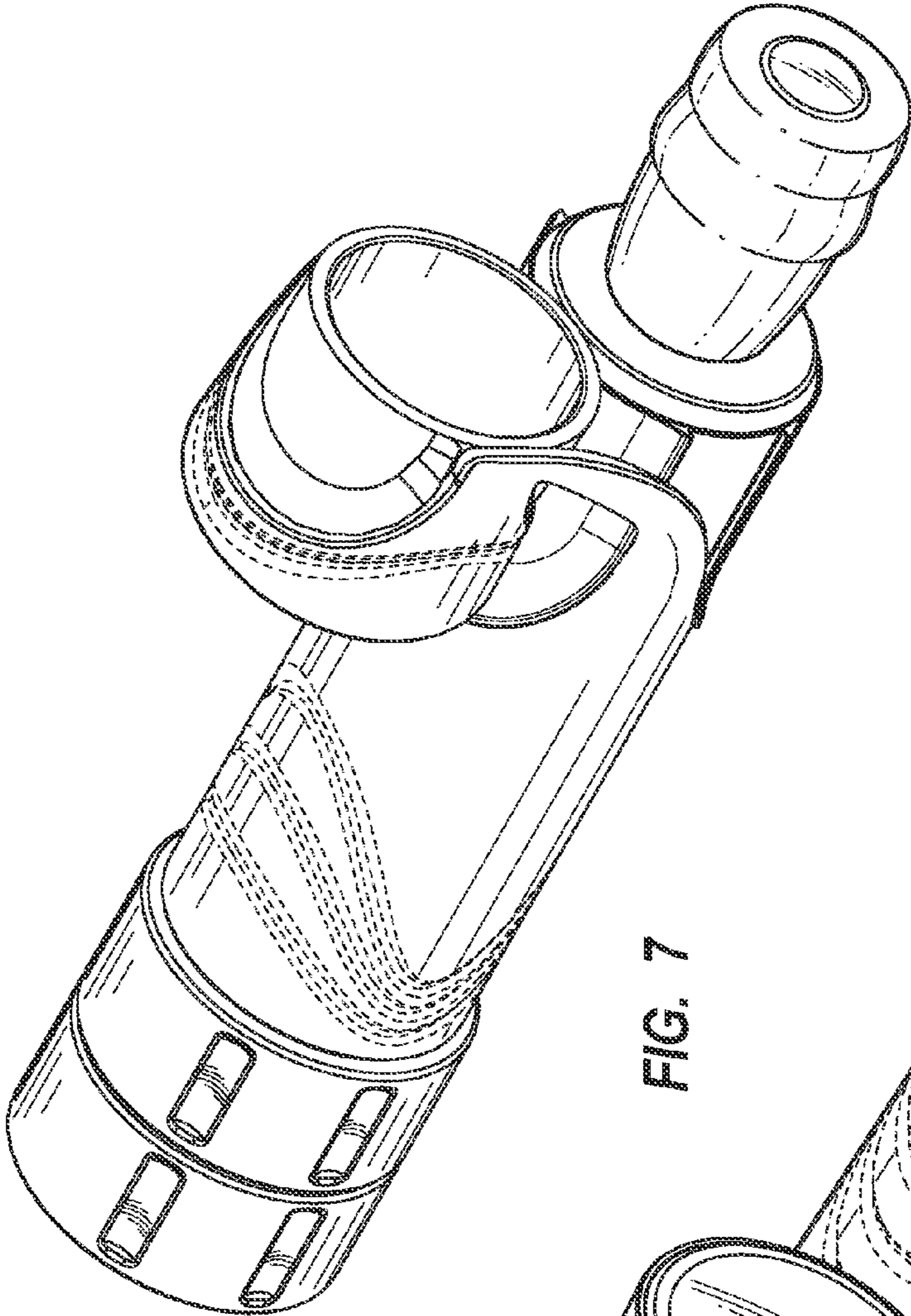


FIG. 7

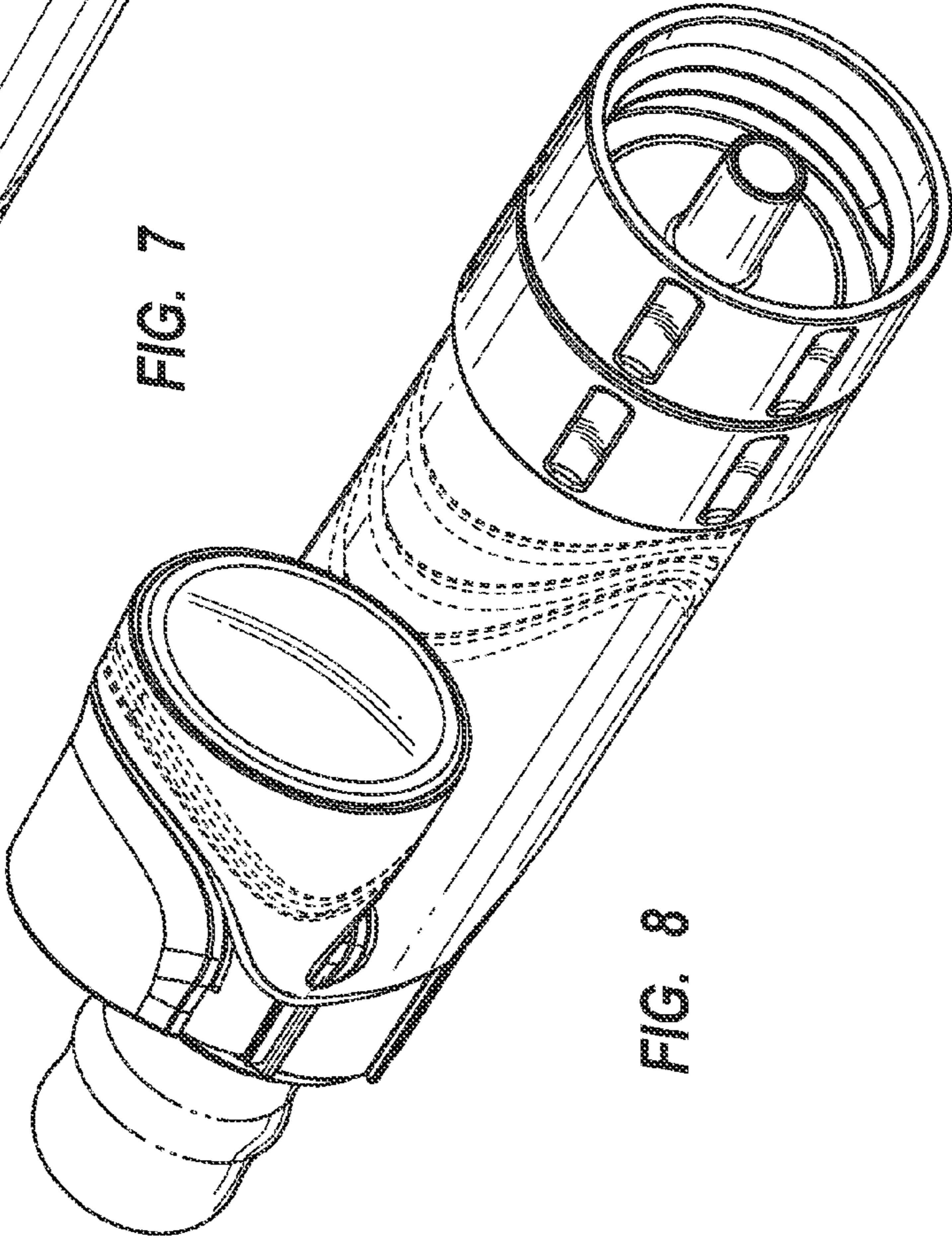


FIG. 8

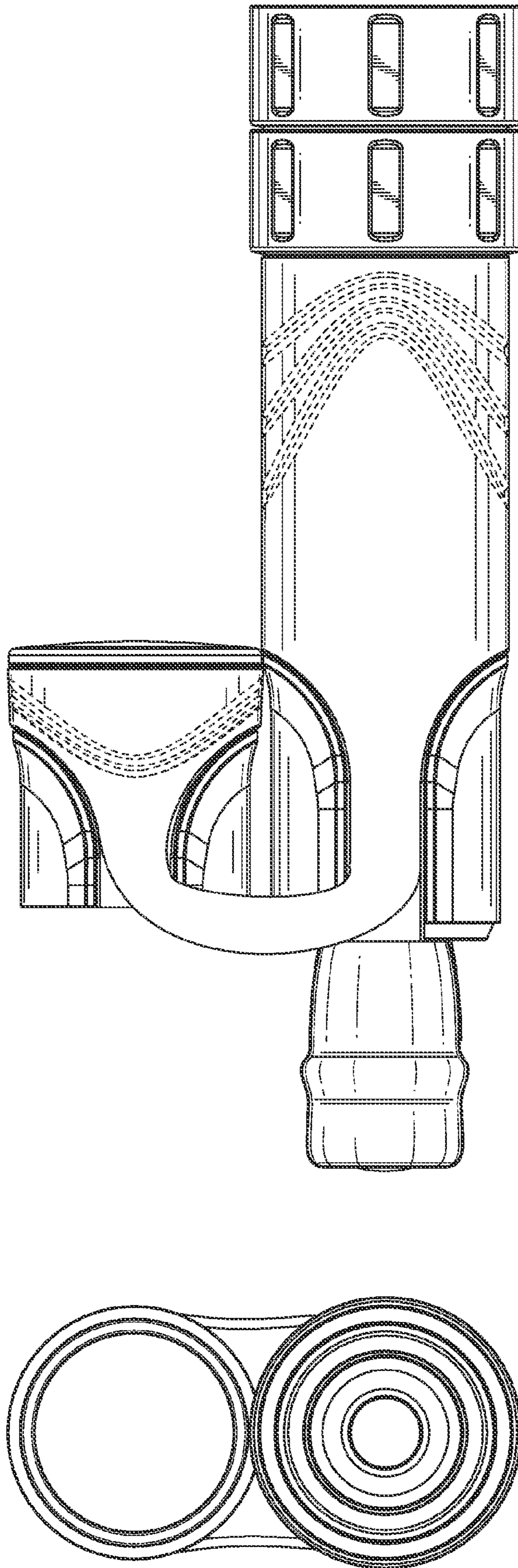


FIG. 9

FIG. 10

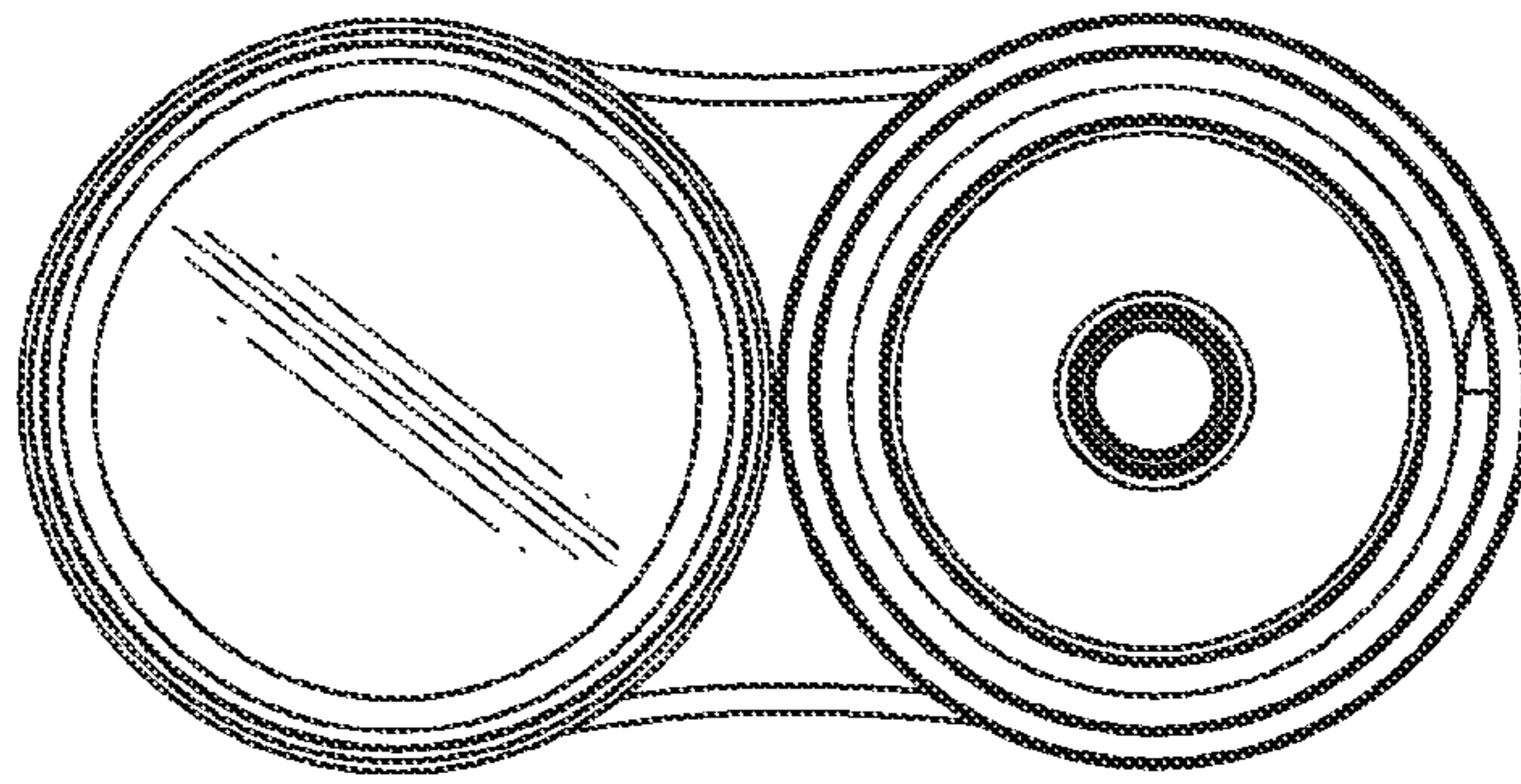


FIG. 13

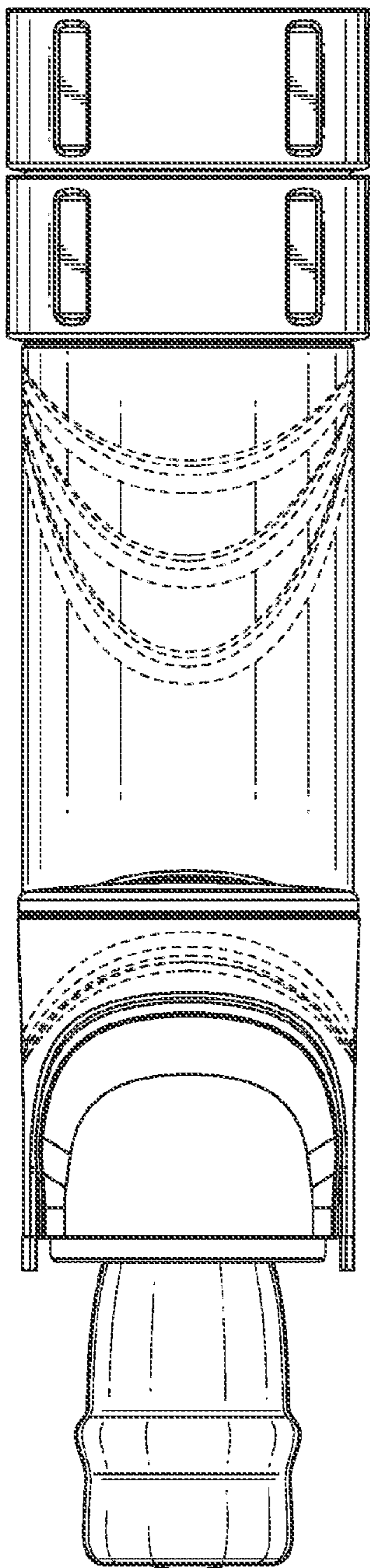


FIG. 11

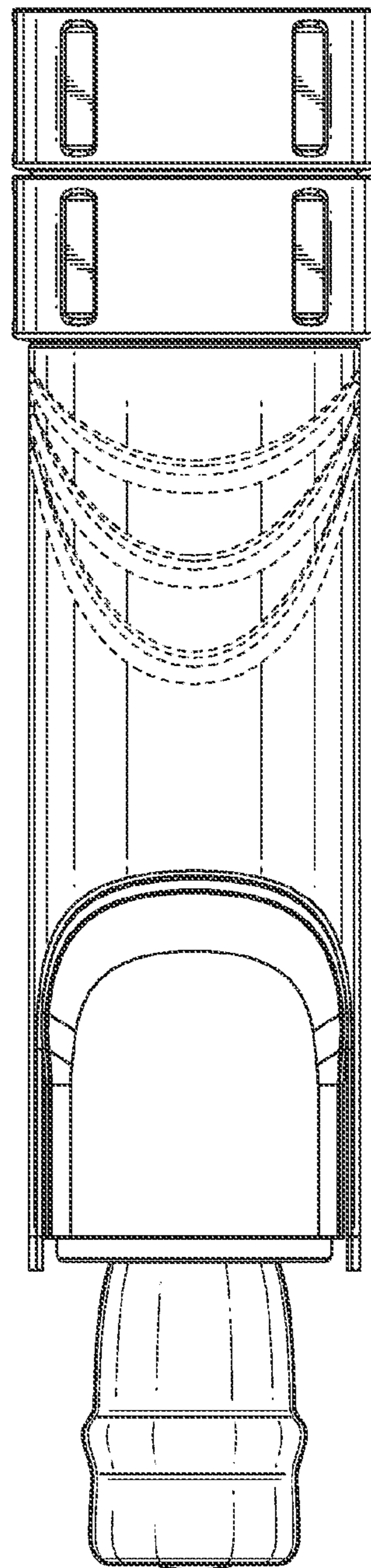


FIG. 12