



US00D559348S

(12) **United States Design Patent**  
**Dias et al.**

(10) **Patent No.:** **US D559,348 S**  
(45) **Date of Patent:** **\*\* Jan. 8, 2008**

(54) **HANDLE FOR A PORTABLE GAS CYLINDER**

(75) Inventors: **José Luis Veiga Dias**, Porto (PT);  
**Tiago Oliveira**, Porto (PT)

(73) Assignee: **Amtrol, Inc.**, West Warwick, RI (US)

(\*\*) Term: **14 Years**

(21) Appl. No.: **29/264,174**

(22) Filed: **Aug. 4, 2006**

(51) **LOC (8) Cl.** ..... **23-01**

(52) **U.S. Cl.** ..... **D23/206; D8/303**

(58) **Field of Classification Search** ..... **D23/205,**  
**D23/206; 220/581; 206/0.6; D8/303, 313,**  
**D8/107, DIG. 7**

See application file for complete search history.

(56) **References Cited**

**U.S. PATENT DOCUMENTS**

D201,962 S *	8/1965	Hammesfahr	.....	D23/206
D210,374 S *	3/1968	Schaefer	.....	D23/206
D356,021 S *	3/1995	Hull et al.	.....	D8/107
6,386,384 B1 *	5/2002	Chohfi et al.	.....	220/23.91
D460,519 S	7/2002	Chohfi et al.		
D514,422 S *	2/2006	Lai	.....	D8/300

\* cited by examiner

*Primary Examiner*—Robin V Webster

(74) *Attorney, Agent, or Firm*—Scott D. Wofsy; Edwards  
Angell Palmer & Dodge LLP; Joshua L. Jones

(57) **CLAIM**

The ornamental design for a handle for a portable gas cylinder, as shown and described.

**DESCRIPTION**

FIG. 1 is a front perspective view of a handle for a portable gas cylinder showing our new design shown in its intended use;

FIG. 2 is a front view thereof;

FIG. 3 is a rear view thereof;

FIG. 4 is a top view thereof;

FIG. 5 is a bottom view thereof;

FIG. 6 is a rear perspective view thereof;

FIG. 7 is a front perspective view of another embodiment of the handle shown in its intended use;

FIG. 8 is a front view thereof;

FIG. 9 is a rear view thereof;

FIG. 10 is a top view thereof;

FIG. 11 is a bottom view thereof;

FIG. 12 is a rear perspective view thereof;

FIG. 13 is a front perspective view of yet another embodiment of the handle shown in its intended use;

FIG. 14 is a front view thereof;

FIG. 15 is a rear view thereof;

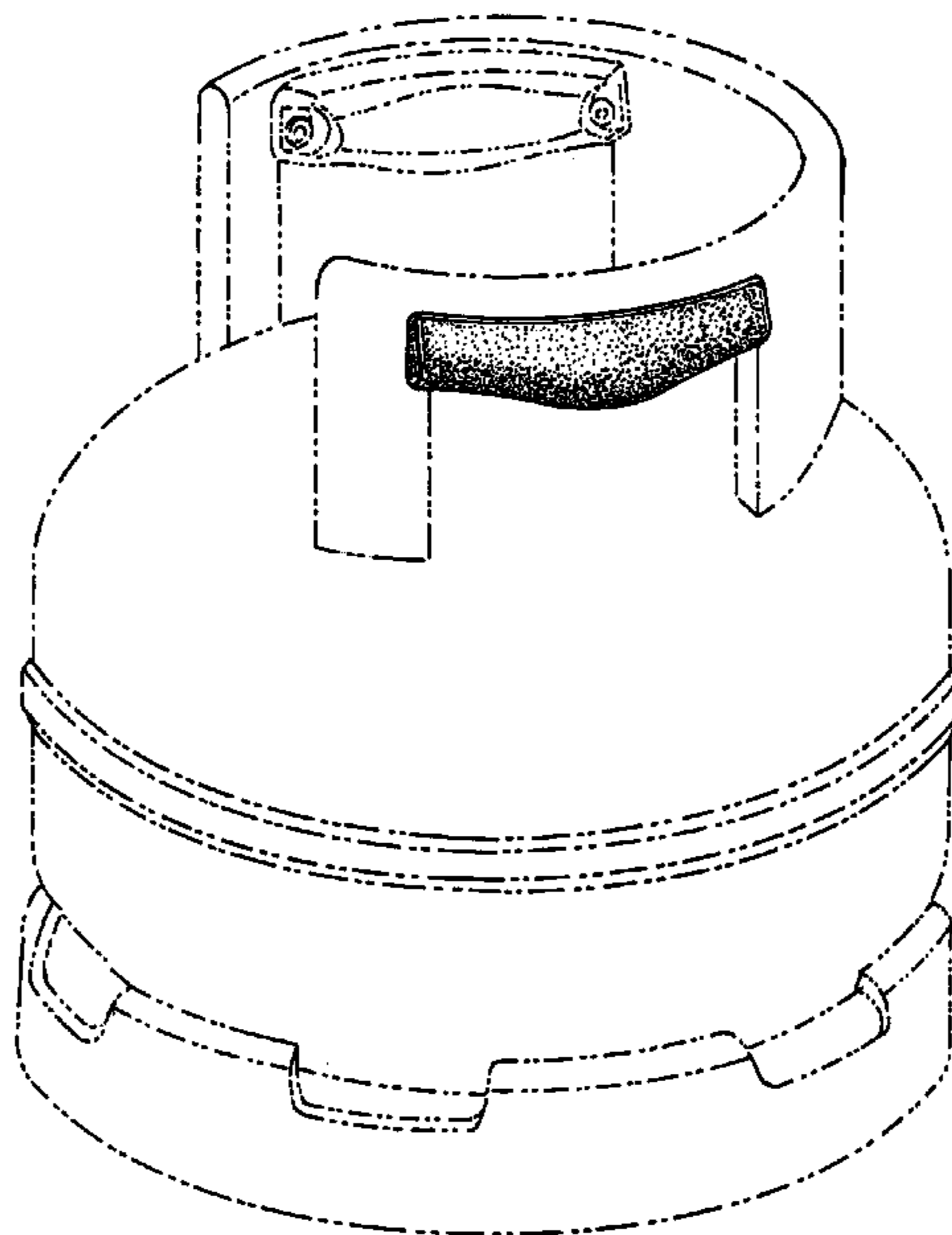
FIG. 16 is a top view thereof;

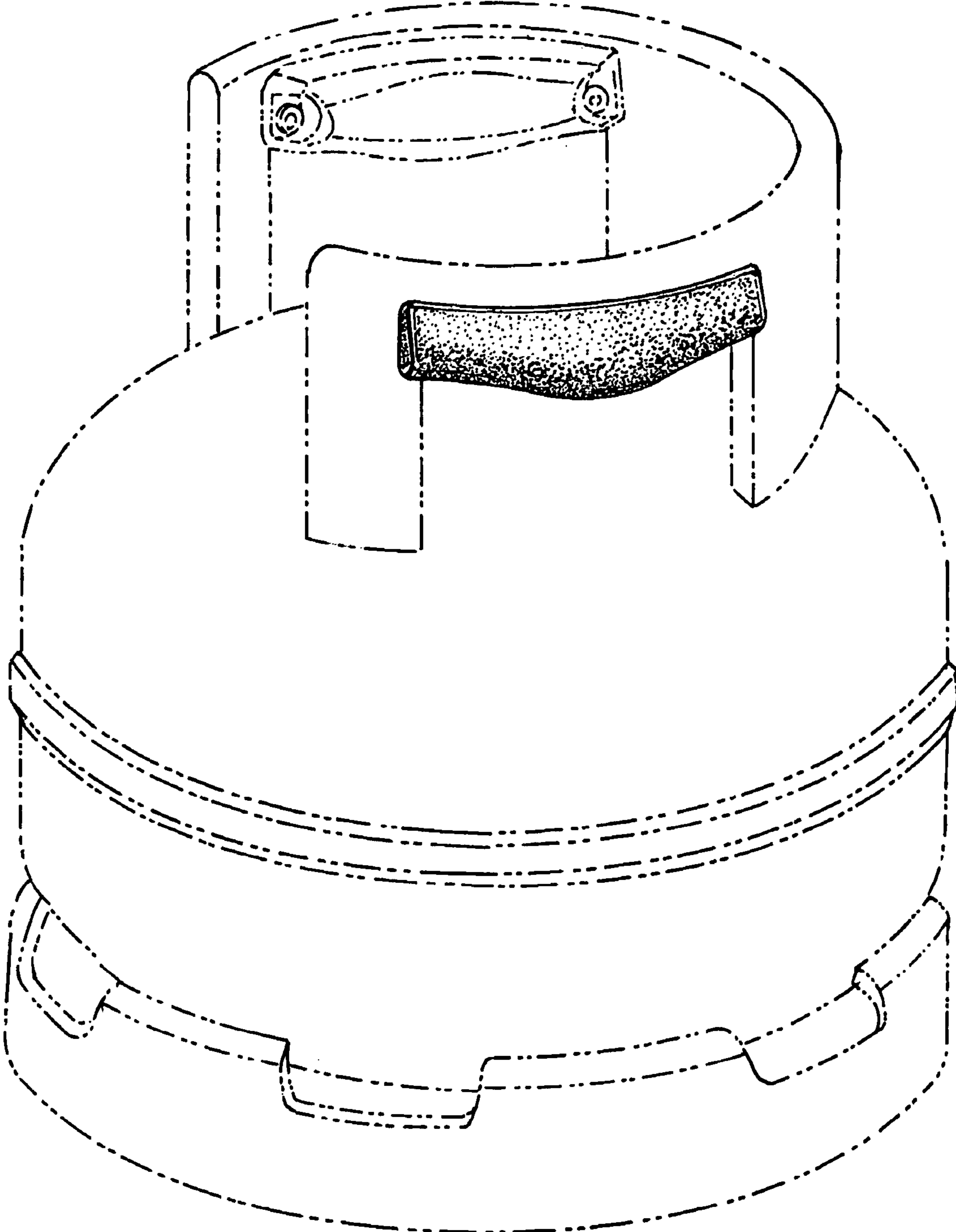
FIG. 17 is a bottom view thereof; and,

FIG. 18 is a rear perspective view thereof.

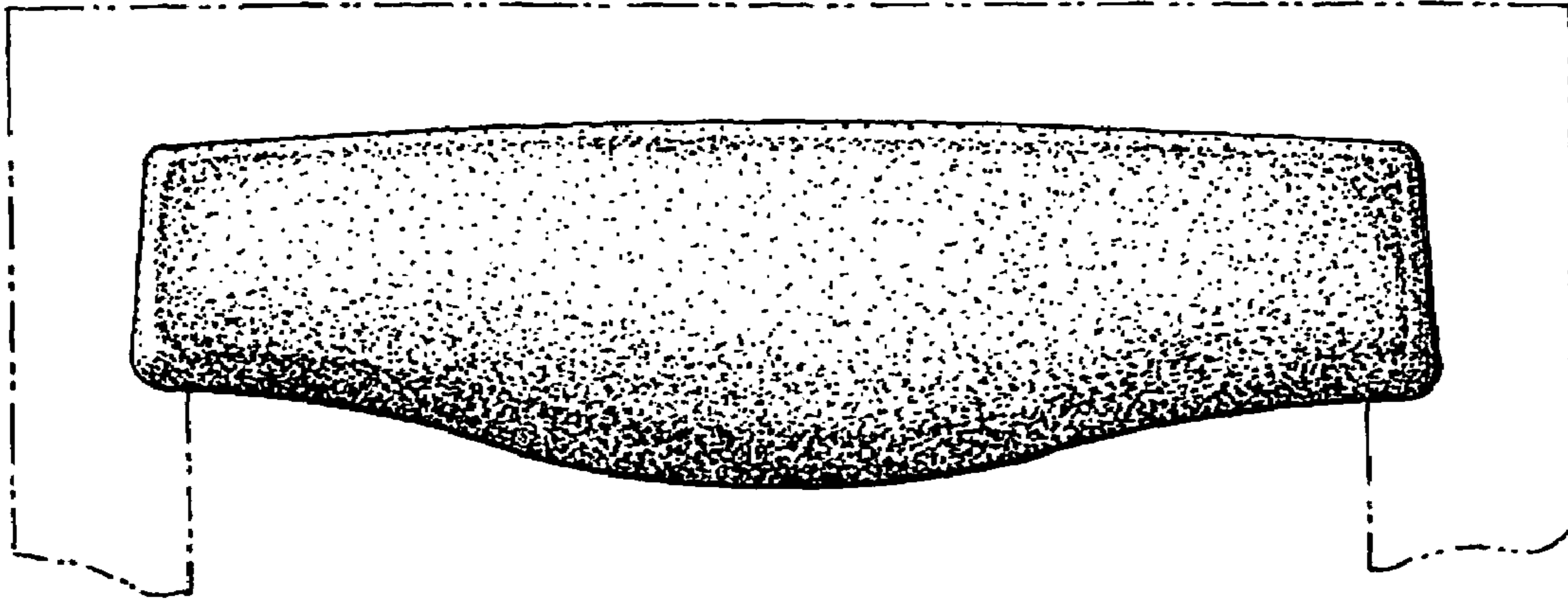
The broken line showing is included for the purpose of illustrating and forms no part of the claimed design.

**1 Claim, 9 Drawing Sheets**

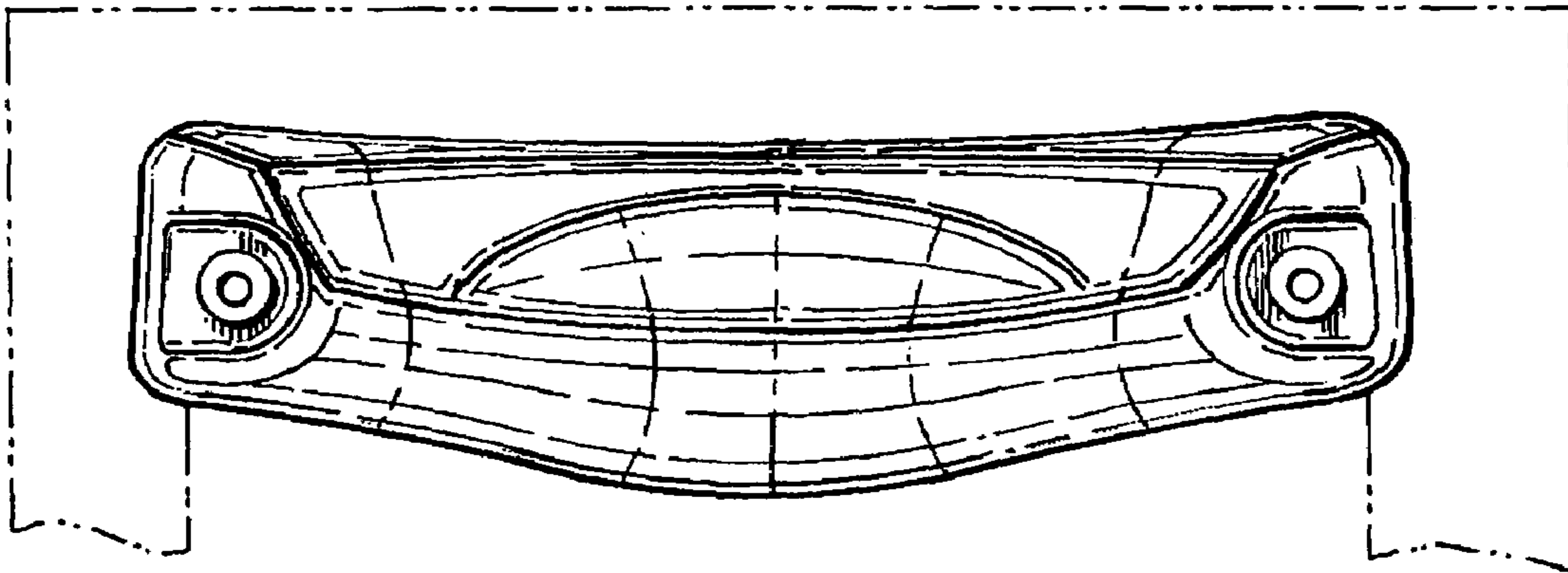




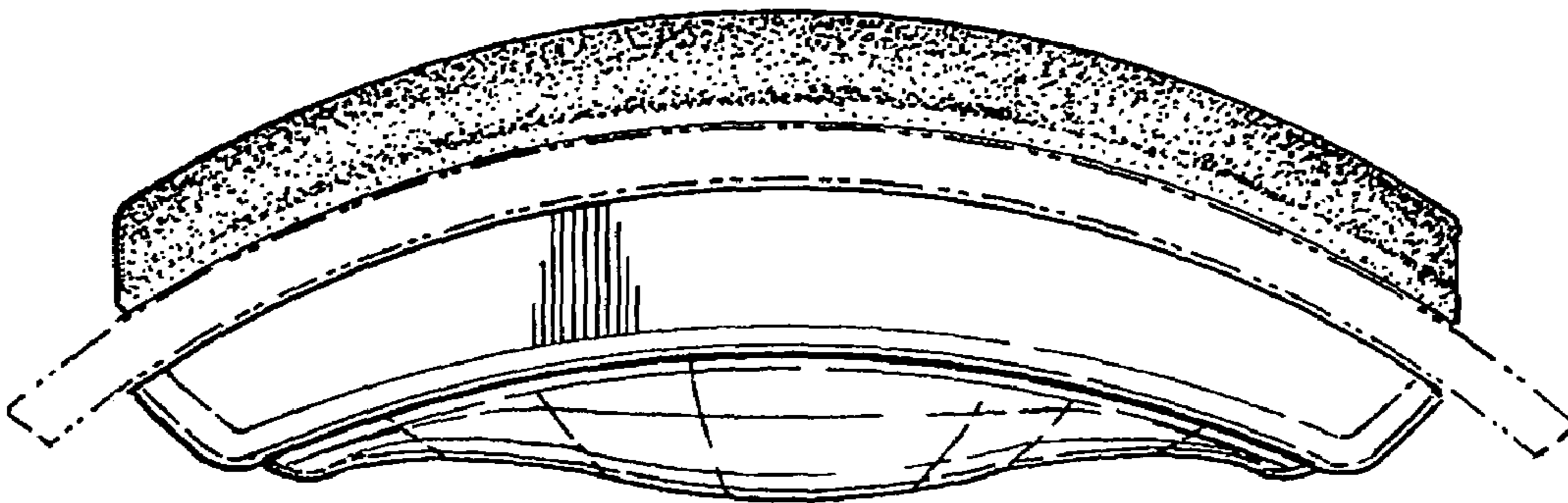
**Fig. 1**



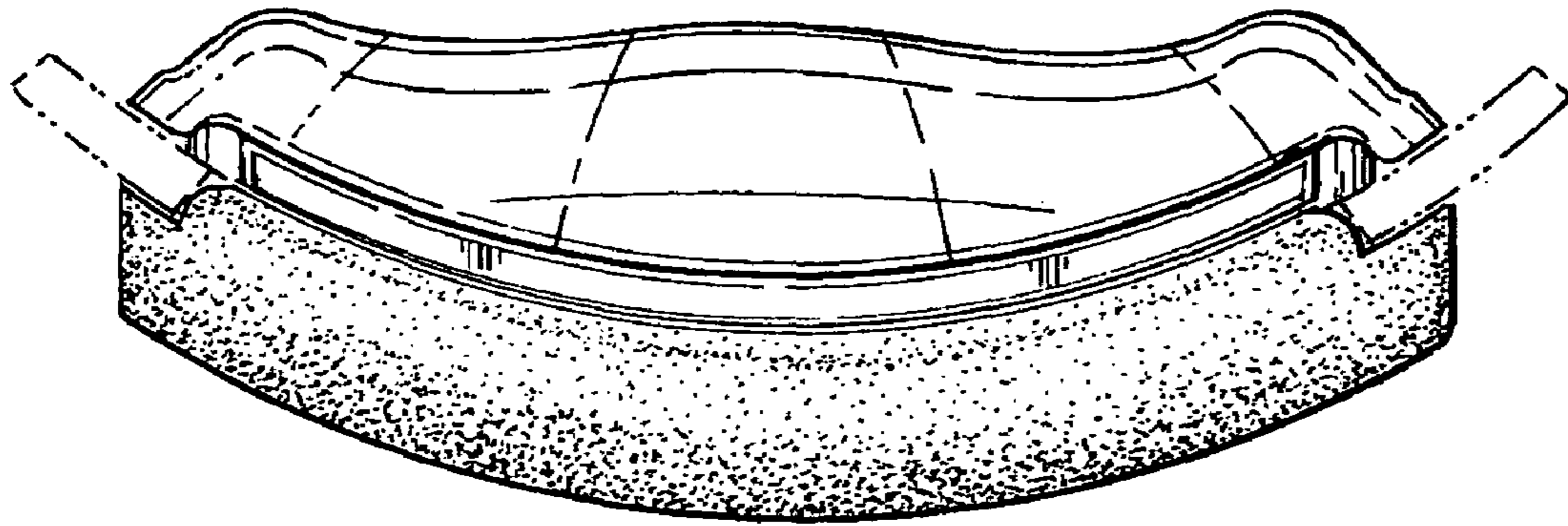
**Fig. 2**



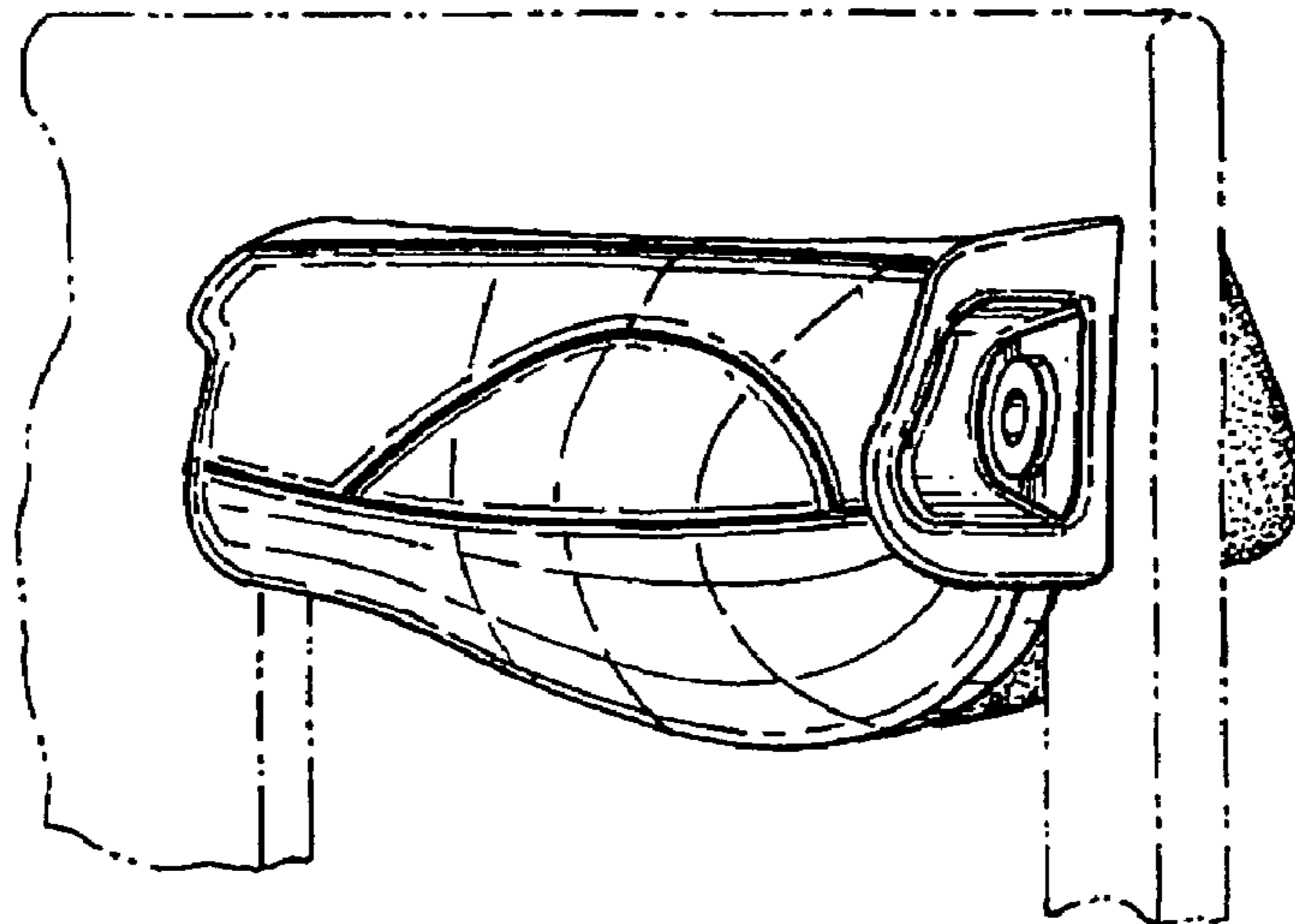
**Fig. 3**



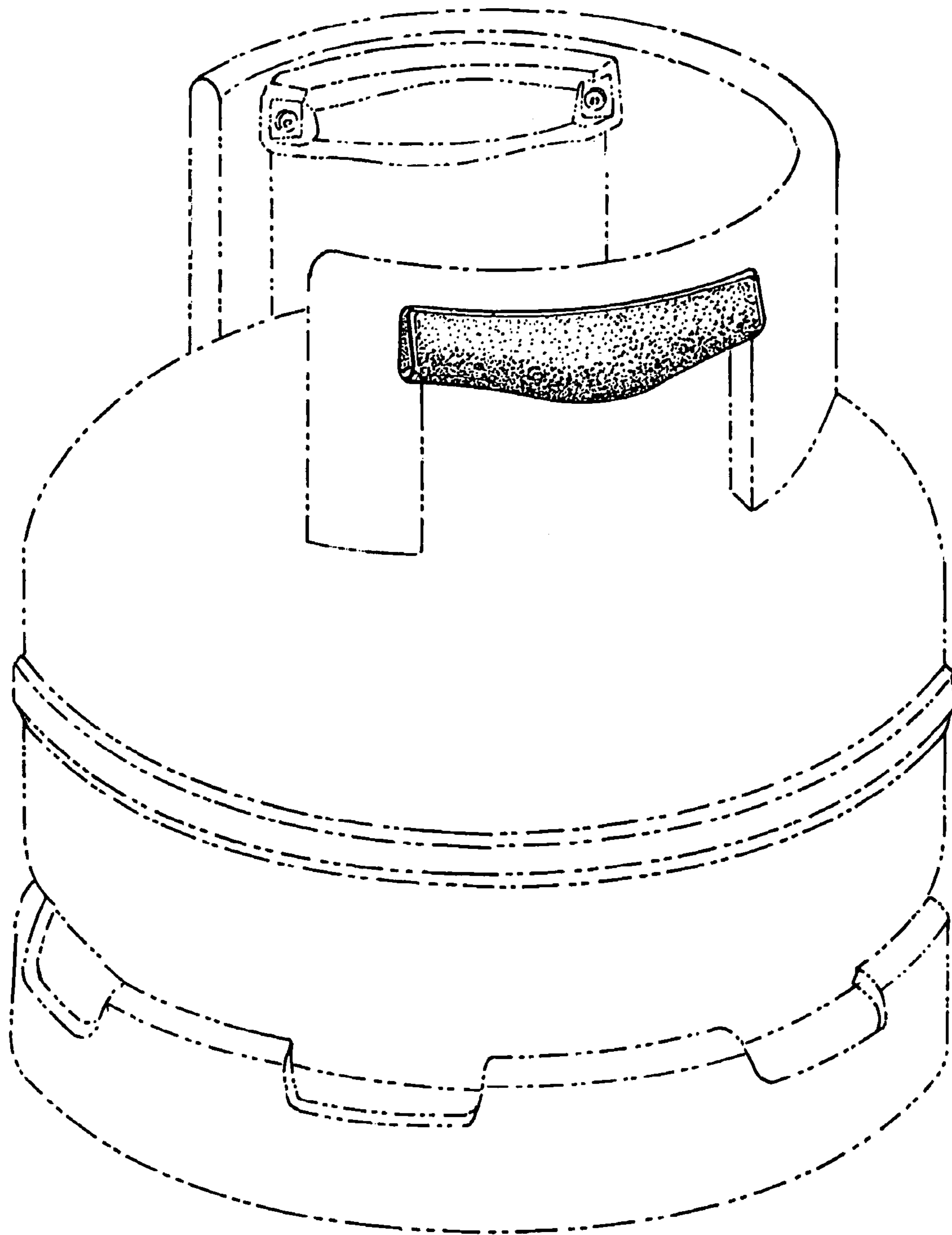
**Fig. 4**



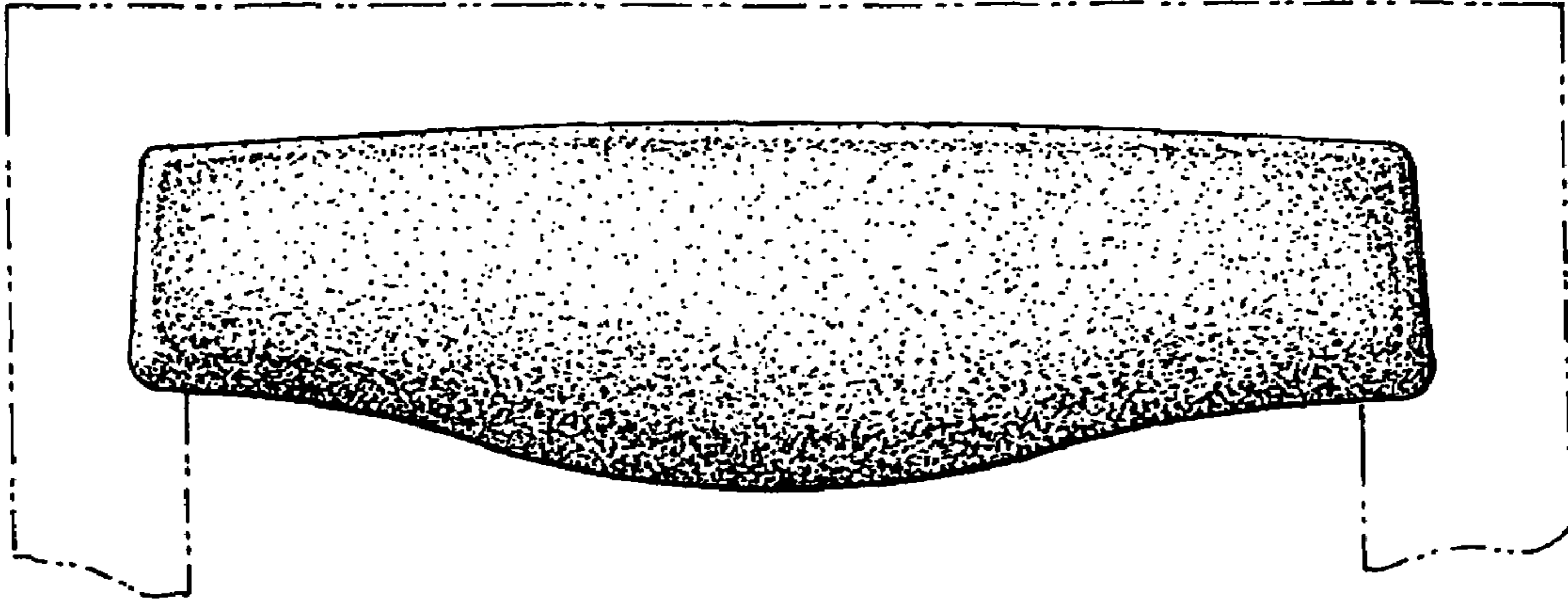
**Fig. 5**



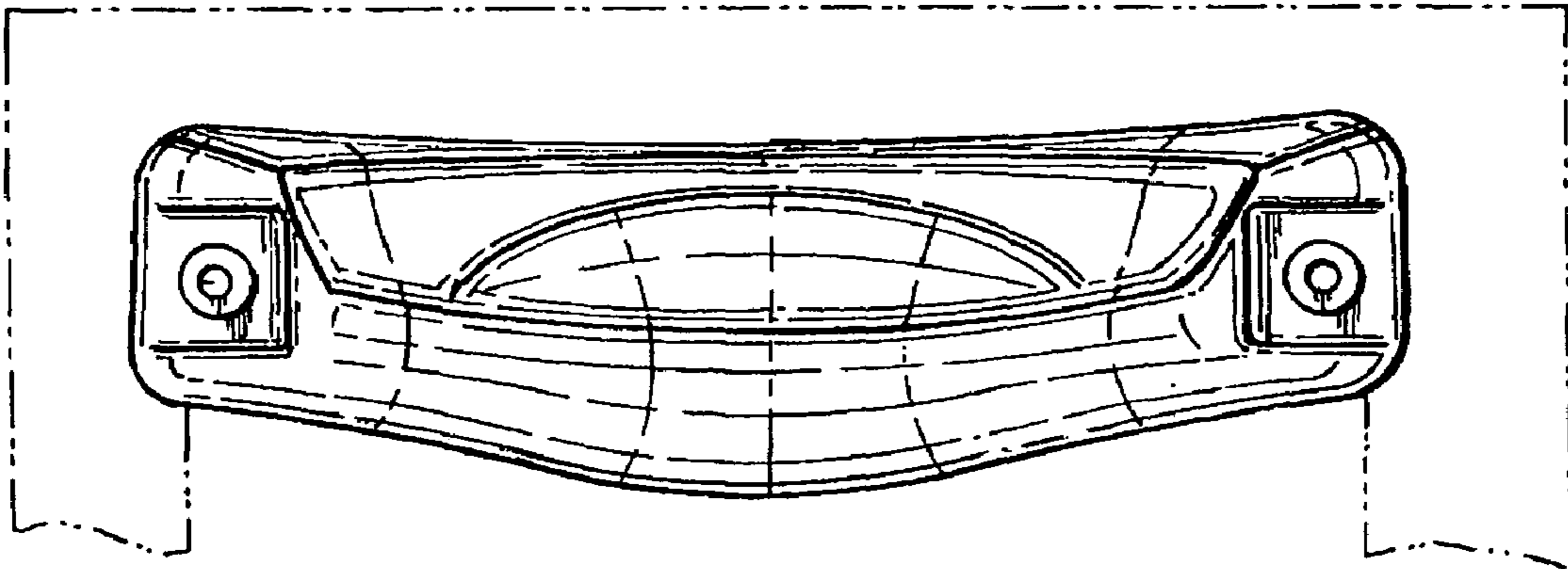
**Fig. 6**



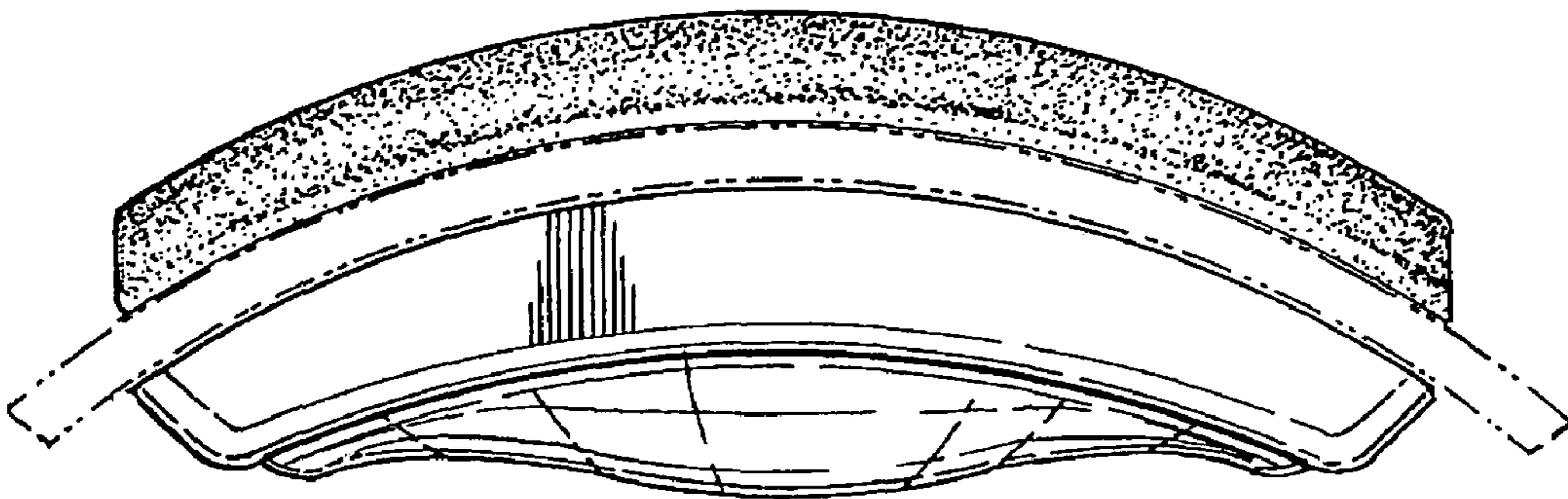
**Fig. 7**



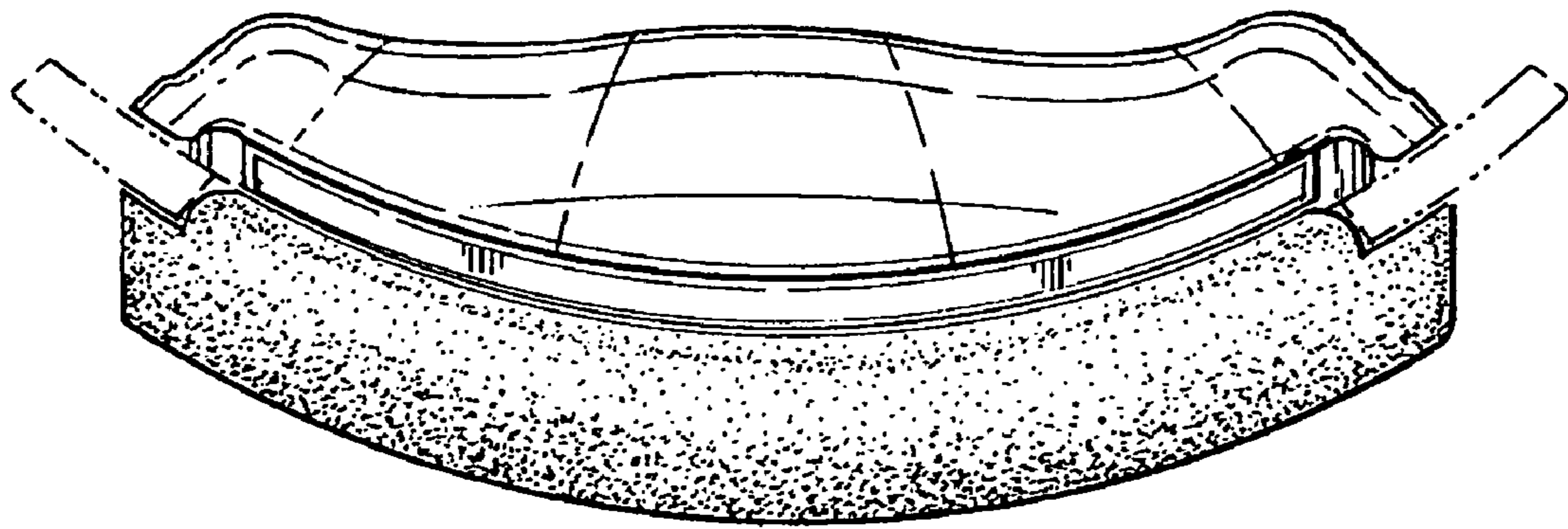
**Fig. 8**



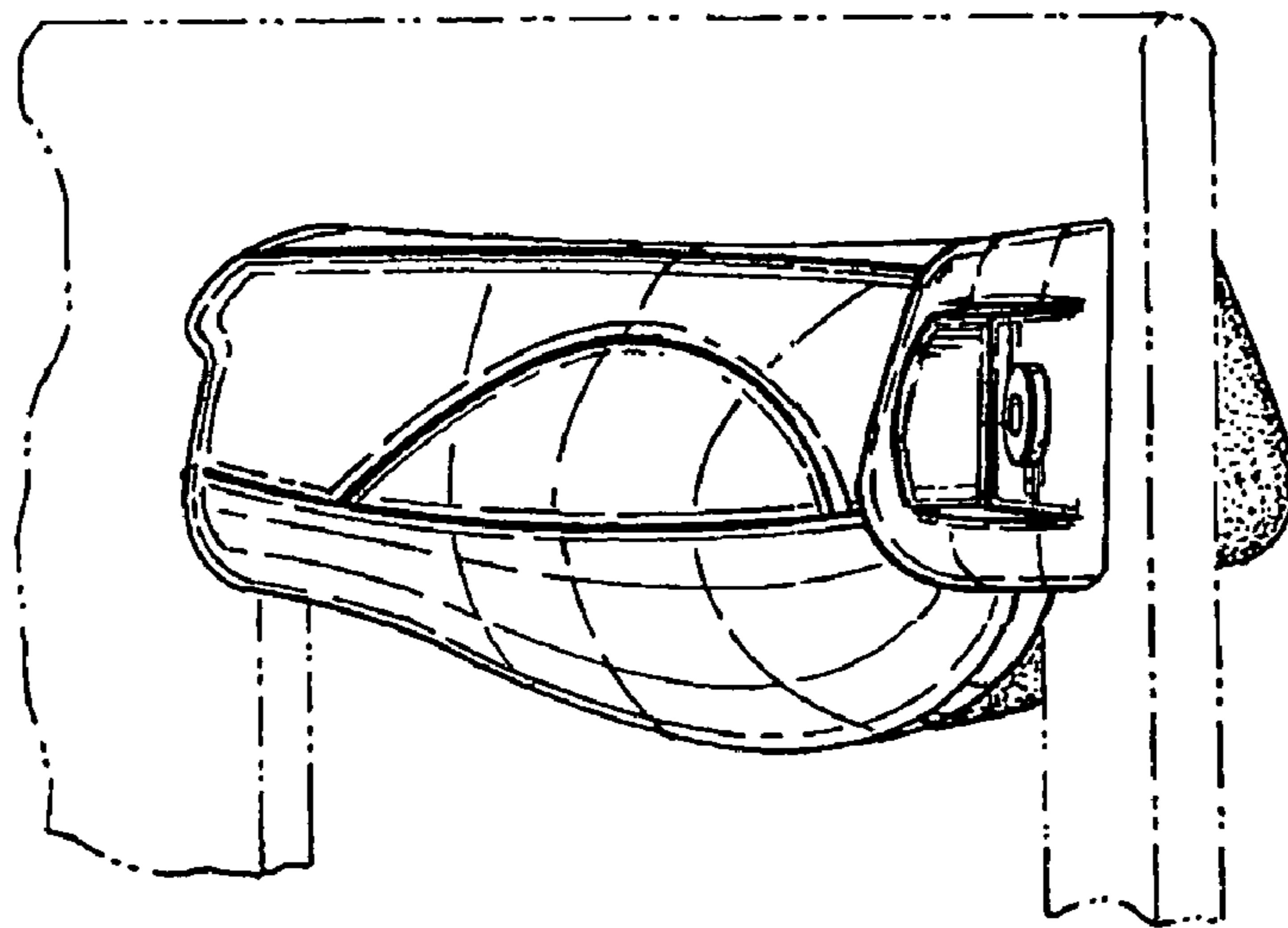
**Fig. 9**



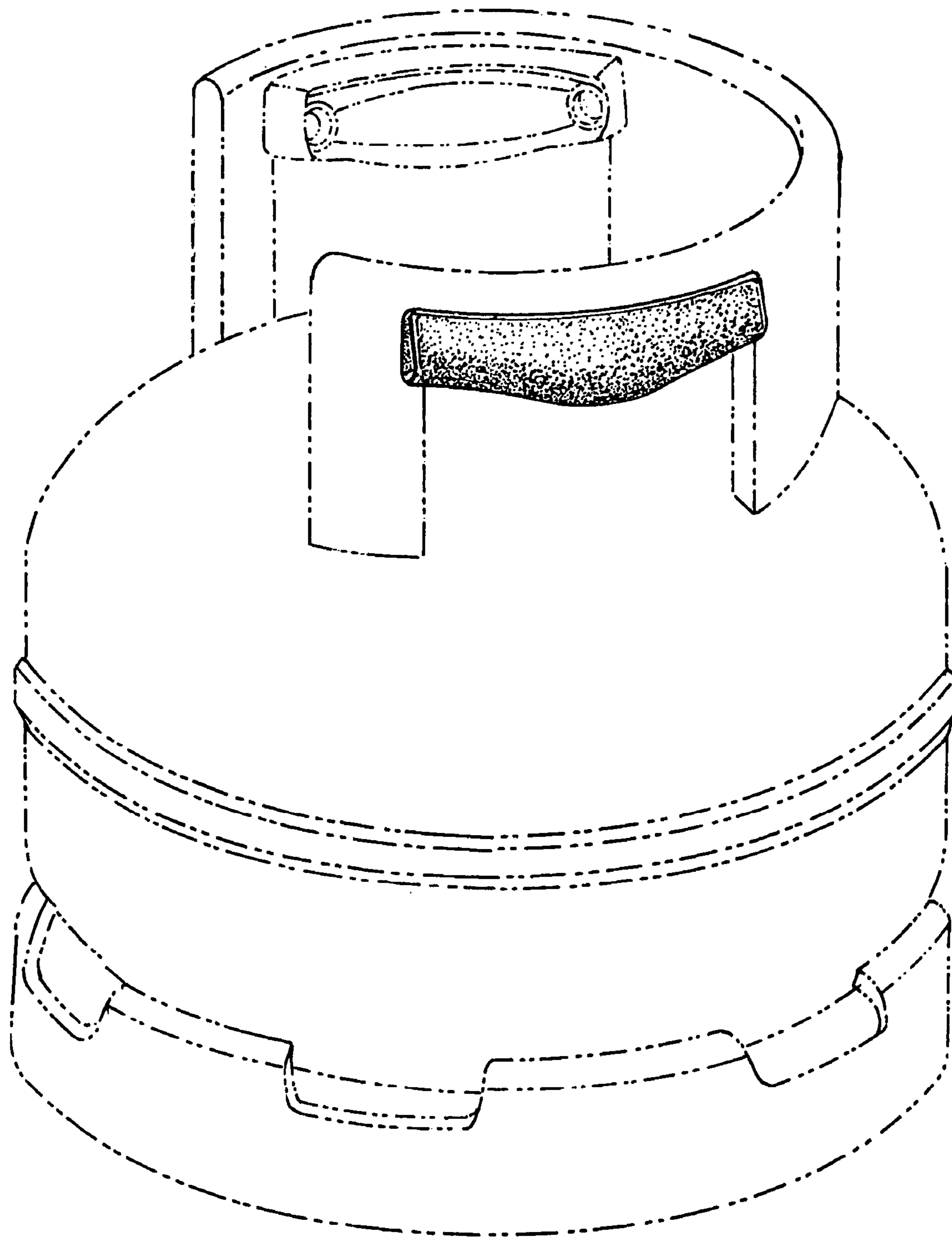
**Fig. 10**



**Fig. 11**

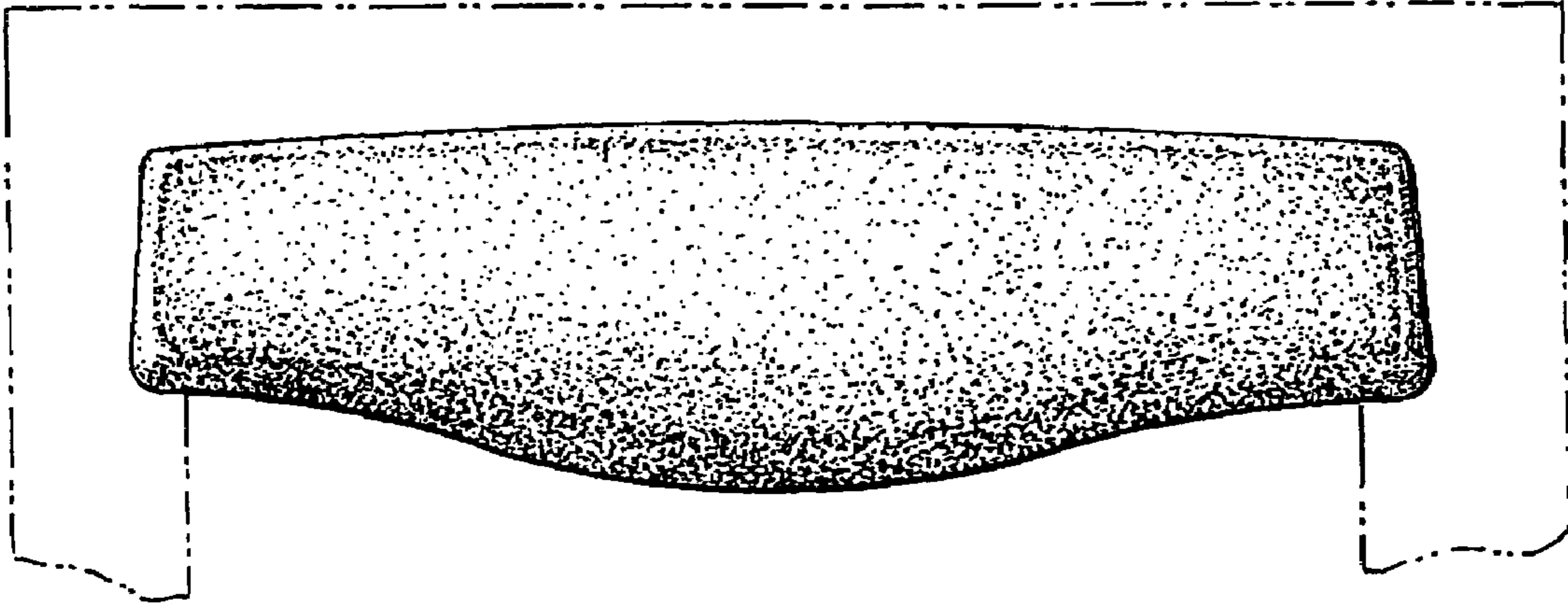


**Fig. 12**

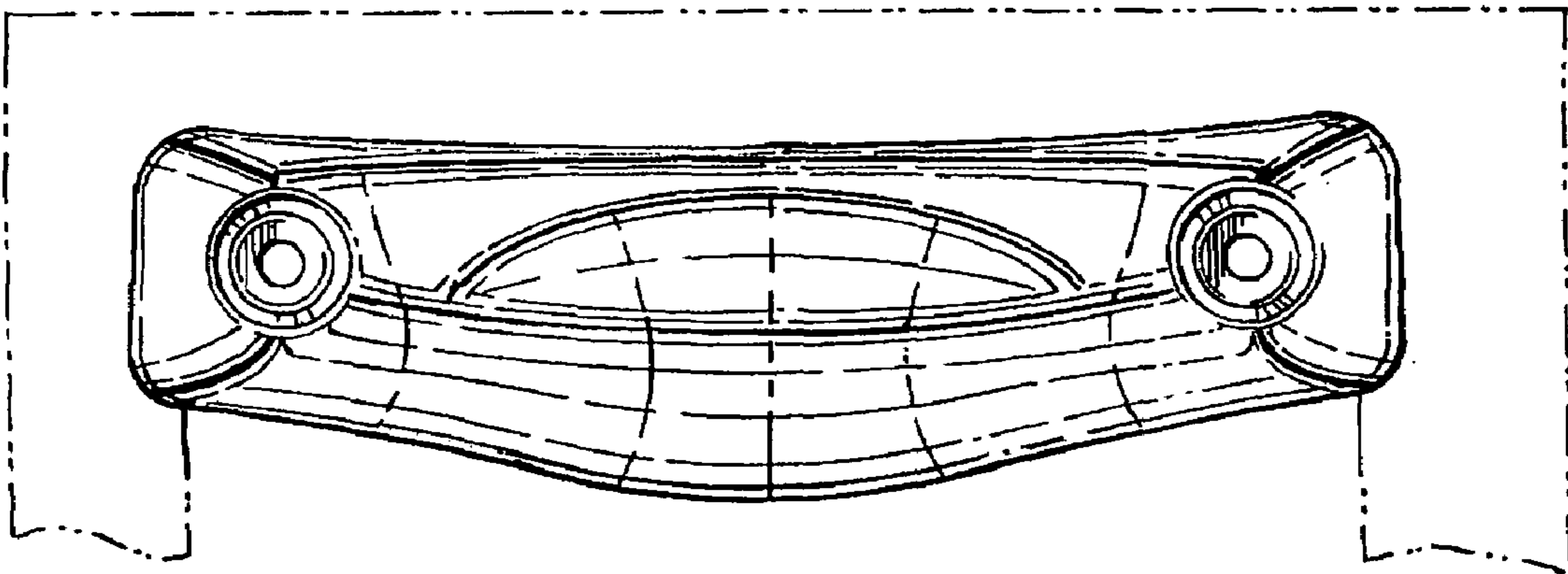


**Fig. 13**

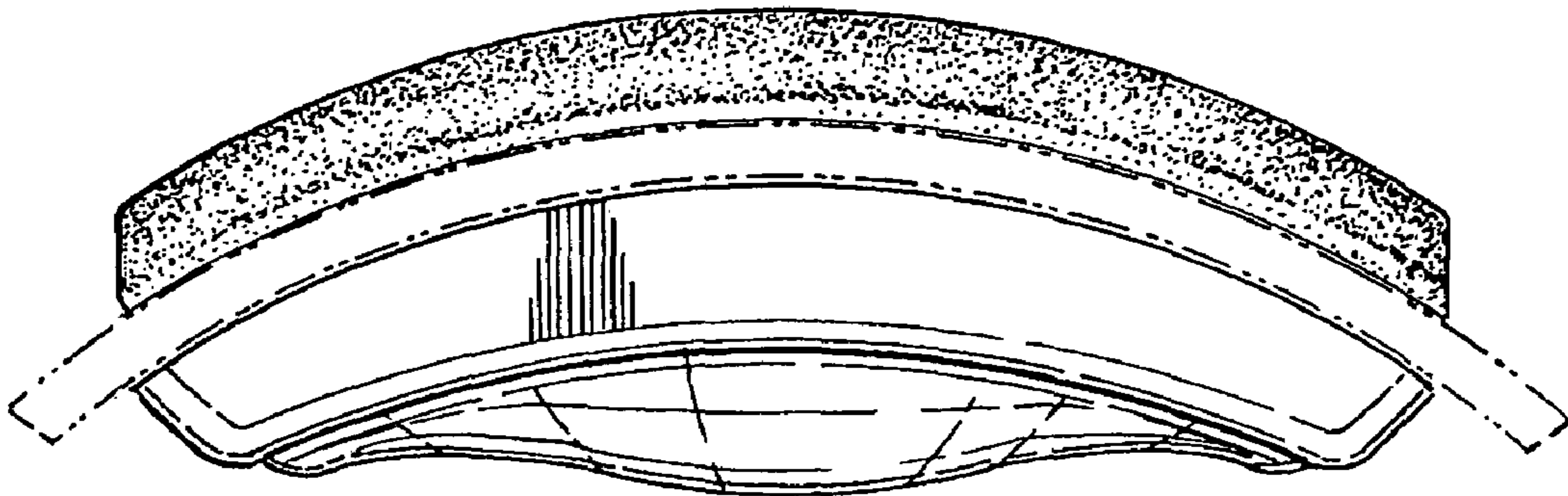




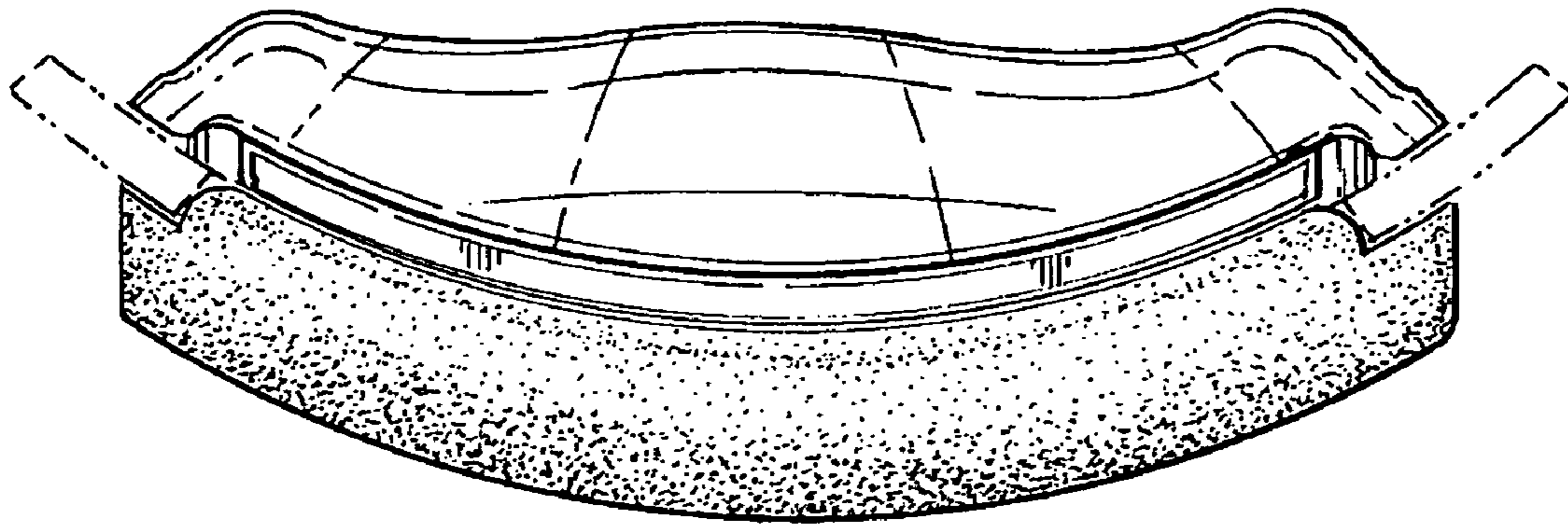
**Fig. 14**



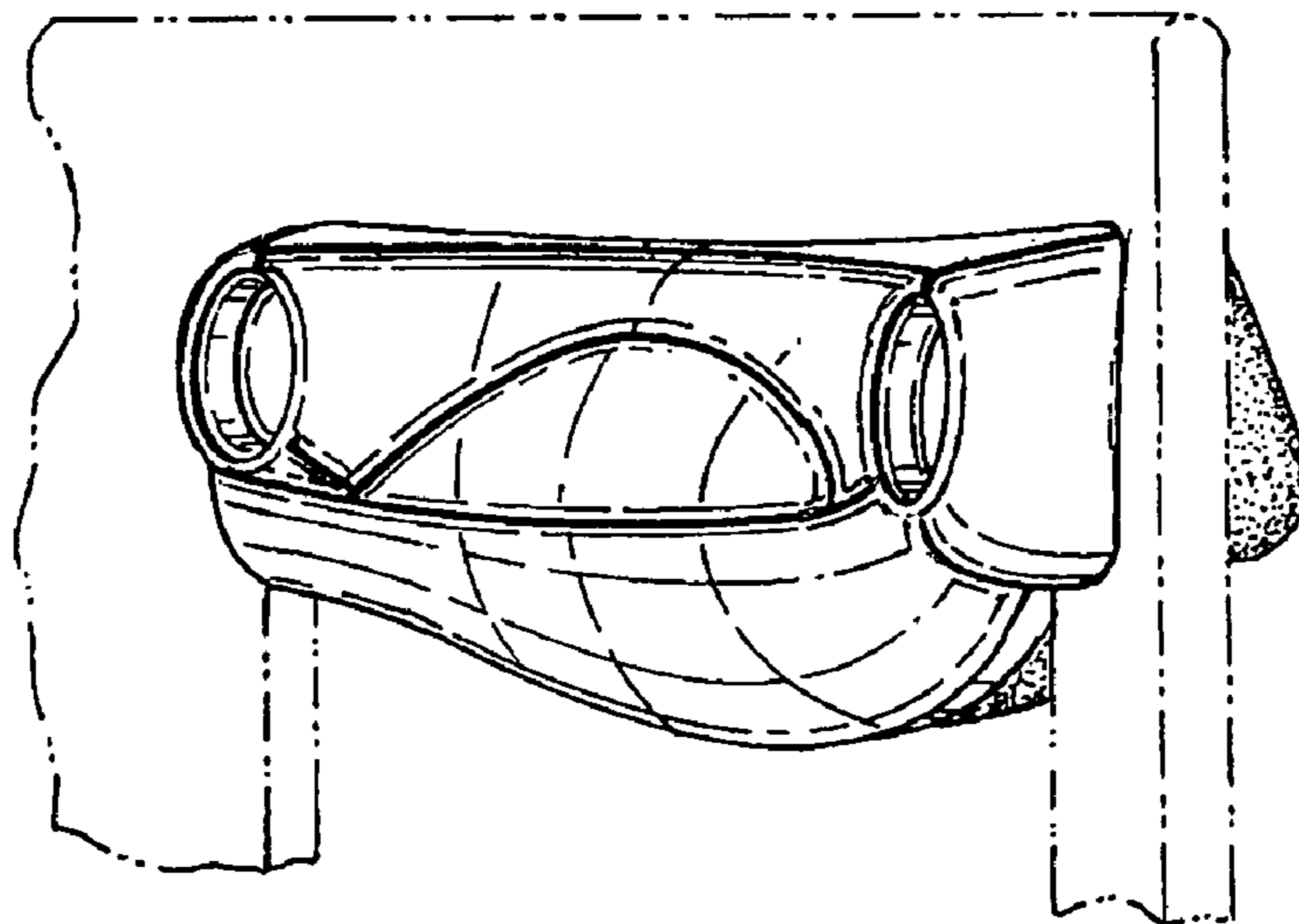
**Fig. 15**



**Fig. 16**



**Fig. 17**



**Fig. 18**