



US00D559345S

(12) **United States Design Patent**  
**Wayne**

(10) **Patent No.:** **US D559,345 S**  
(45) **Date of Patent:** **\*\* Jan. 8, 2008**

(54) **FIREARM GRIP**

(76) Inventor: **Clinton James Wayne**, 1230 N. Myers St., Burbank, CA (US) 91506

(\*\*) Term: **14 Years**

(21) Appl. No.: **29/273,545**

(22) Filed: **Mar. 8, 2007**

(51) **LOC (8) Cl.** ..... **22-01**

(52) **U.S. Cl.** ..... **D22/108**

(58) **Field of Classification Search** ..... D22/100,  
D22/104, 105, 108, 199; 124/22, 37, 40;  
42/1.02, 7, 50, 65, 66, 70.11, 71.01, 71.02,  
42/74, 75.03, 117; D21/575, 574

See application file for complete search history.

(56) **References Cited**

**U.S. PATENT DOCUMENTS**

D257,166 S	9/1980	Hogue	
D302,289 S *	7/1989	Lambert	..... D22/108
D341,761 S	11/1993	Weimann	
D349,938 S	8/1994	Hogue et al.	
5,483,766 A *	1/1996	Hochstrate et al.	..... 42/71.02
5,768,817 A	6/1998	Simons	
D410,988 S	6/1999	Hines	
6,082,468 A	7/2000	Pusateri et al.	
6,155,354 A	12/2000	Pusateri et al.	
6,161,256 A	12/2000	Quiring et al.	
6,298,594 B1 *	10/2001	Strayer	..... D22/108

D462,470 S	9/2002	Krieger et al.	
D479,571 S	9/2003	Benini	
D487,298 S *	3/2004	Clare et al.	..... D22/108
6,981,344 B2 *	1/2006	Cahill et al.	..... 42/71.01

\* cited by examiner

*Primary Examiner*—Ian Simmons  
*Assistant Examiner*—Melanie Levy  
(74) *Attorney, Agent, or Firm*—Patel & Alumit, P.C.; Edwin Tarver; Ty Ung

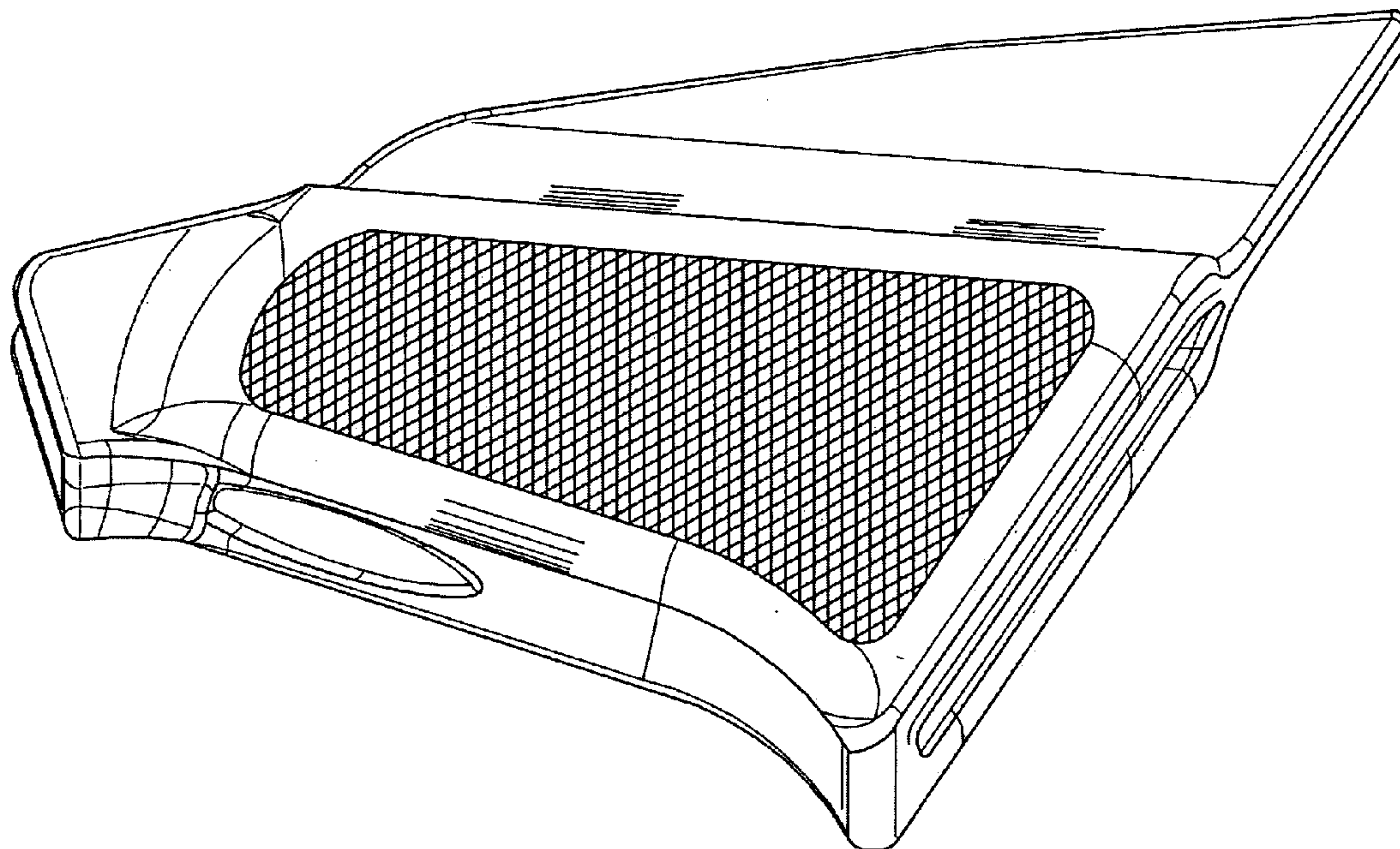
(57) **CLAIM**

We claim the ornamental design for a firearm grip, as shown and described.

**DESCRIPTION**

FIG. 1 is a side view of the firearm grip according to the new design, the other side being a mirror image.  
FIG. 2 is a bottom view thereof.  
FIG. 3 is a top view thereof.  
FIG. 4 is a right side view thereof.  
FIG. 5 is a left side view thereof.  
FIG. 6 is a left side perspective thereof.  
FIG. 7 is a right side perspective thereof.  
FIG. 8 is a bottom perspective thereof; and,  
FIG. 9 is a top perspective thereof.

**1 Claim, 9 Drawing Sheets**



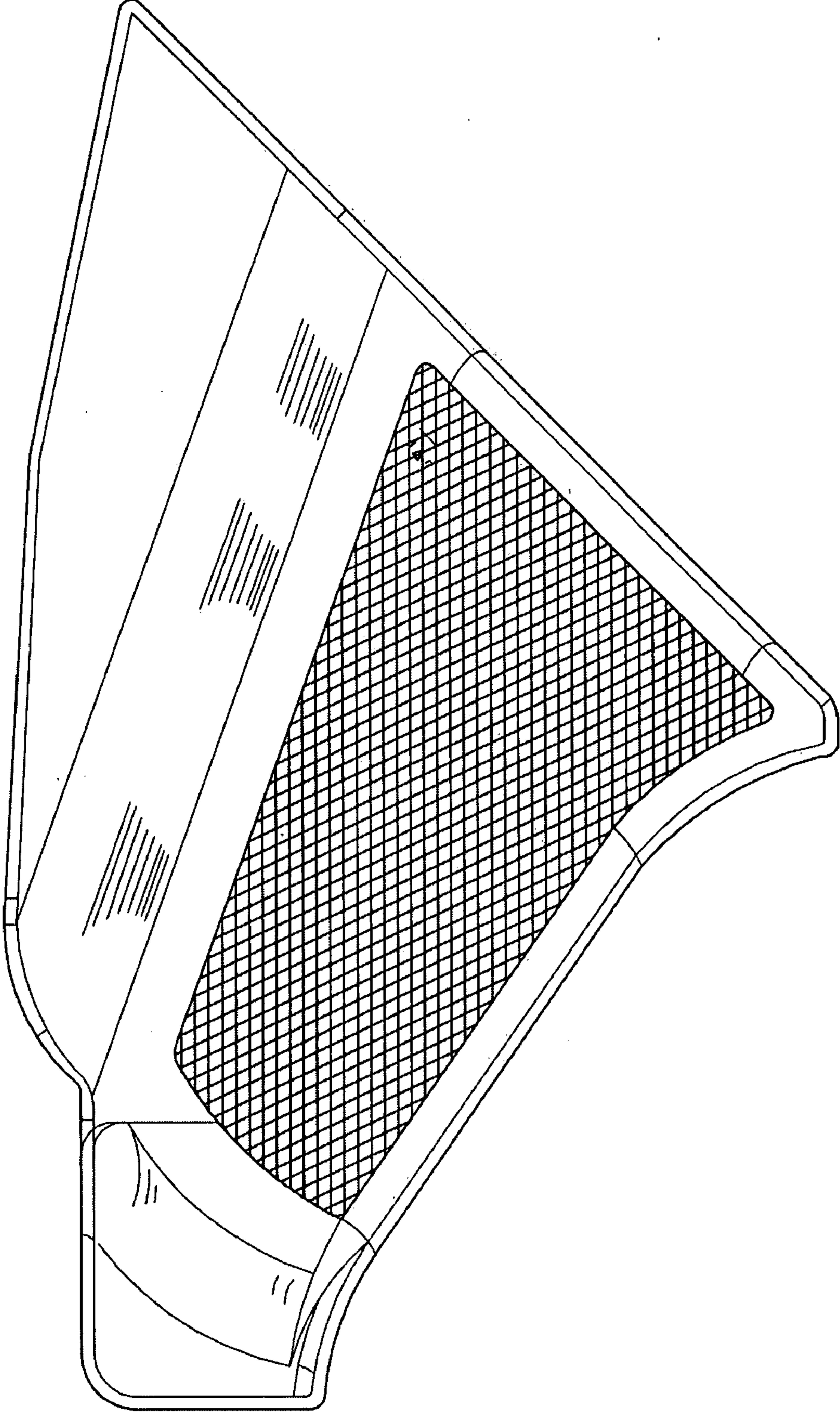


FIG. 1

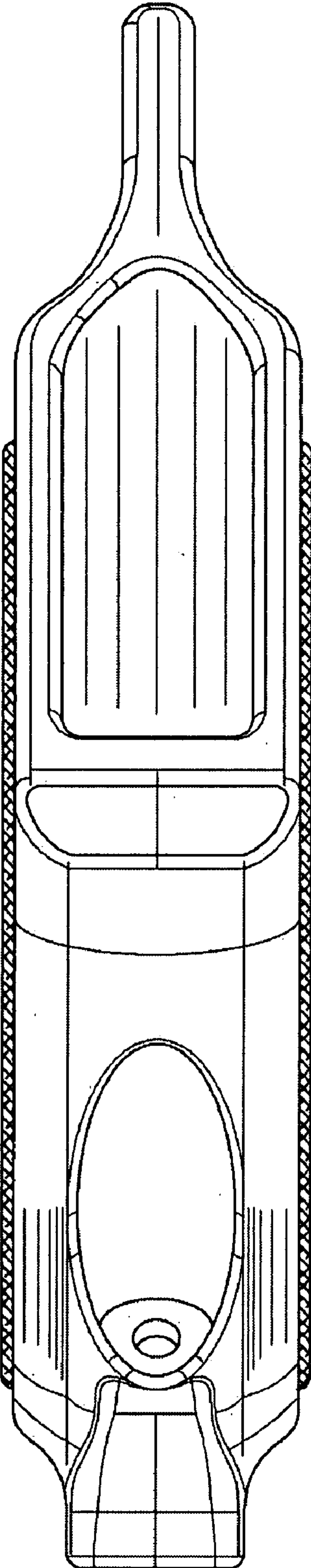


FIG. 2

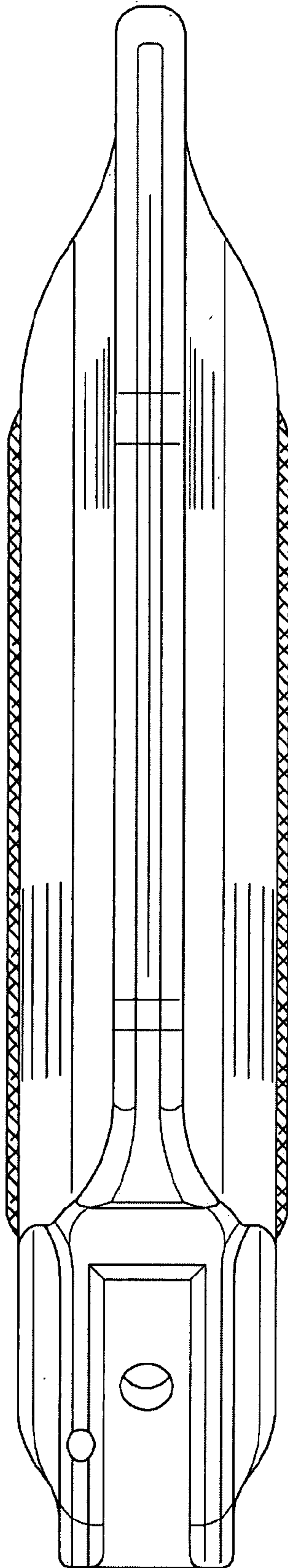


FIG. 3



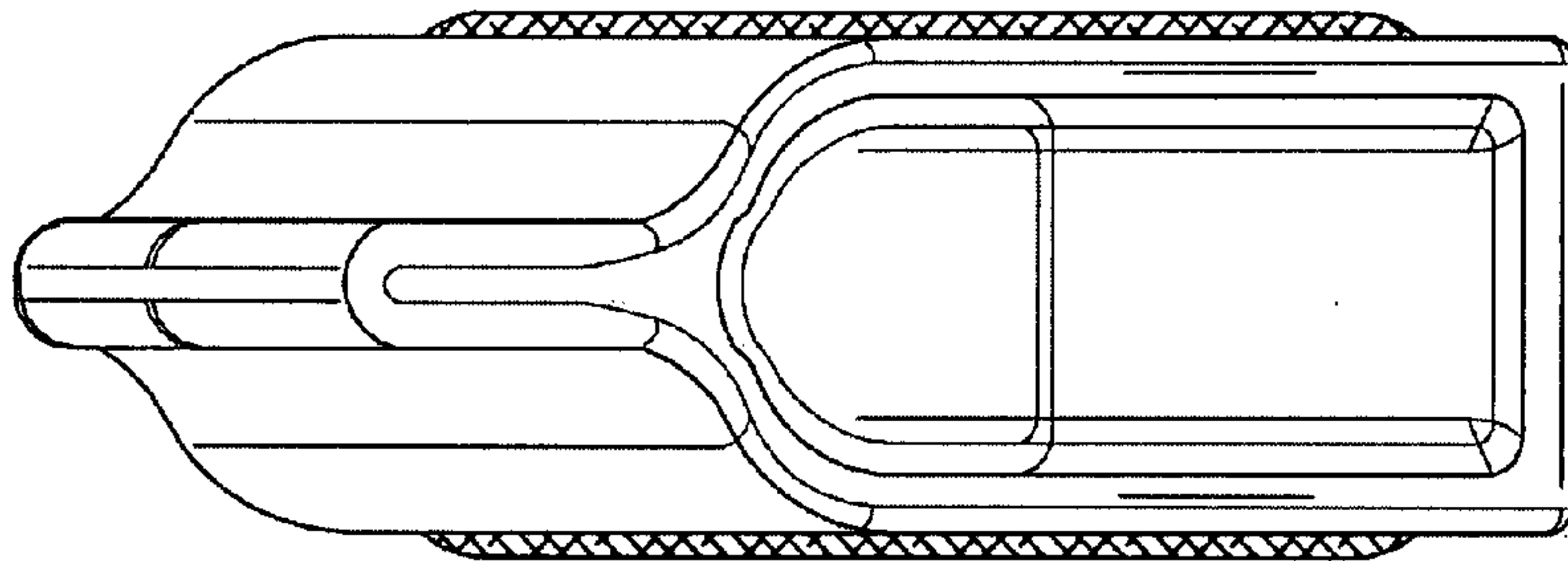


FIG. 4

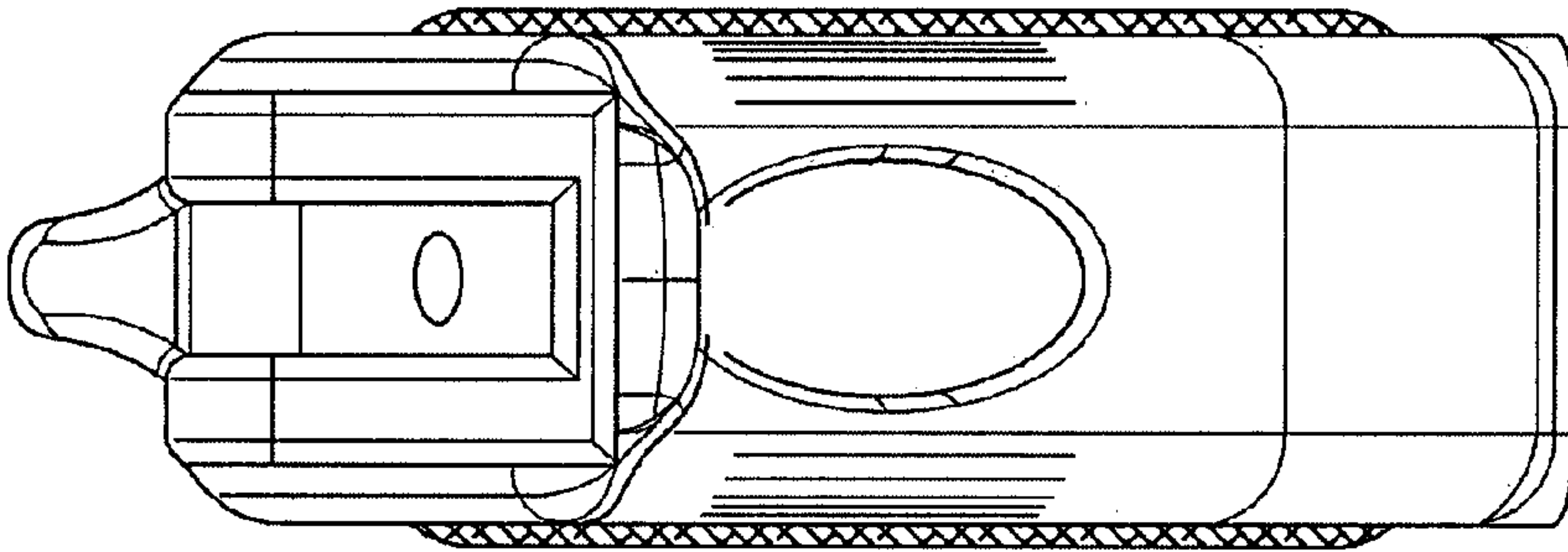


FIG. 5

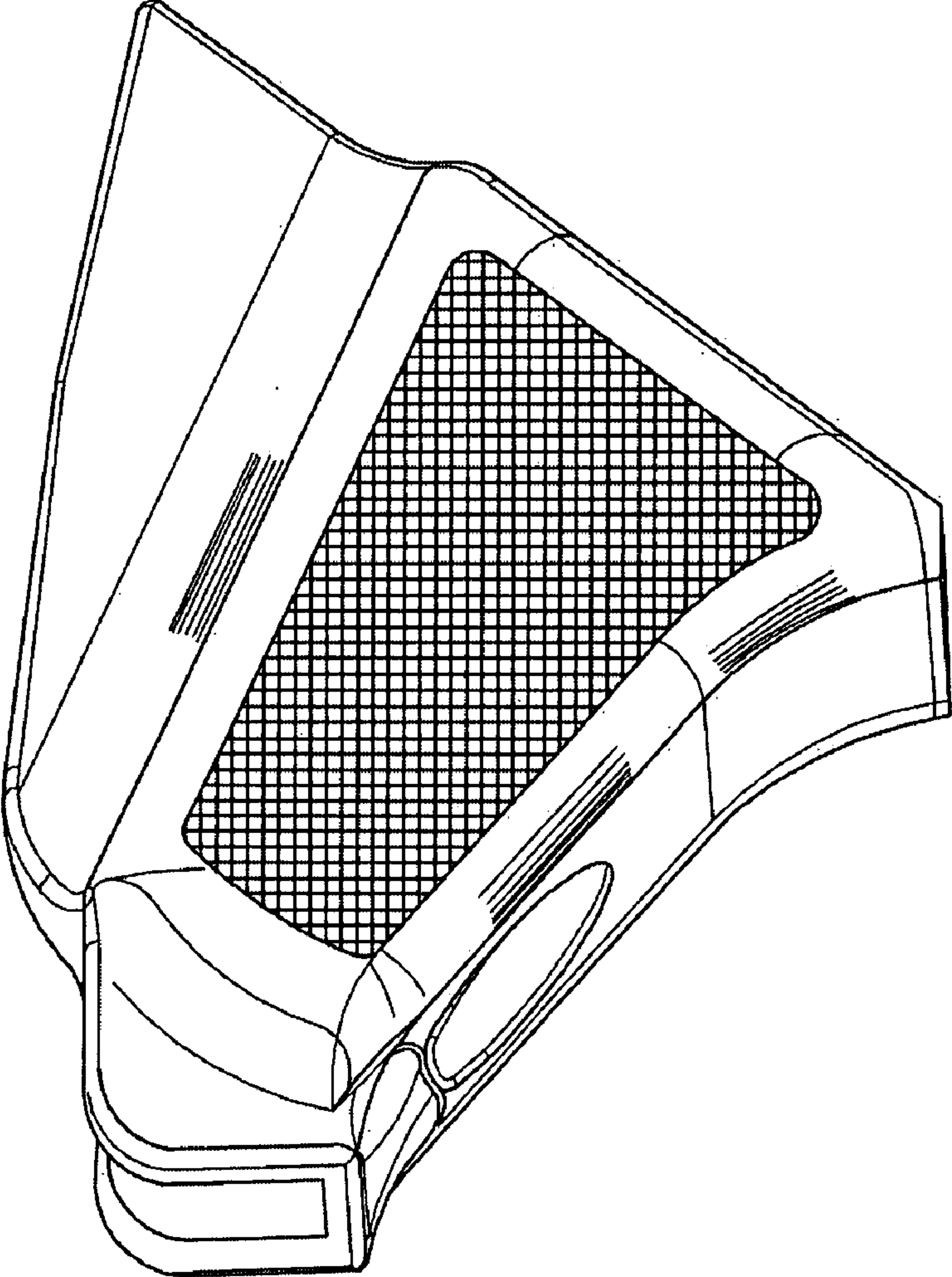


FIG. 6

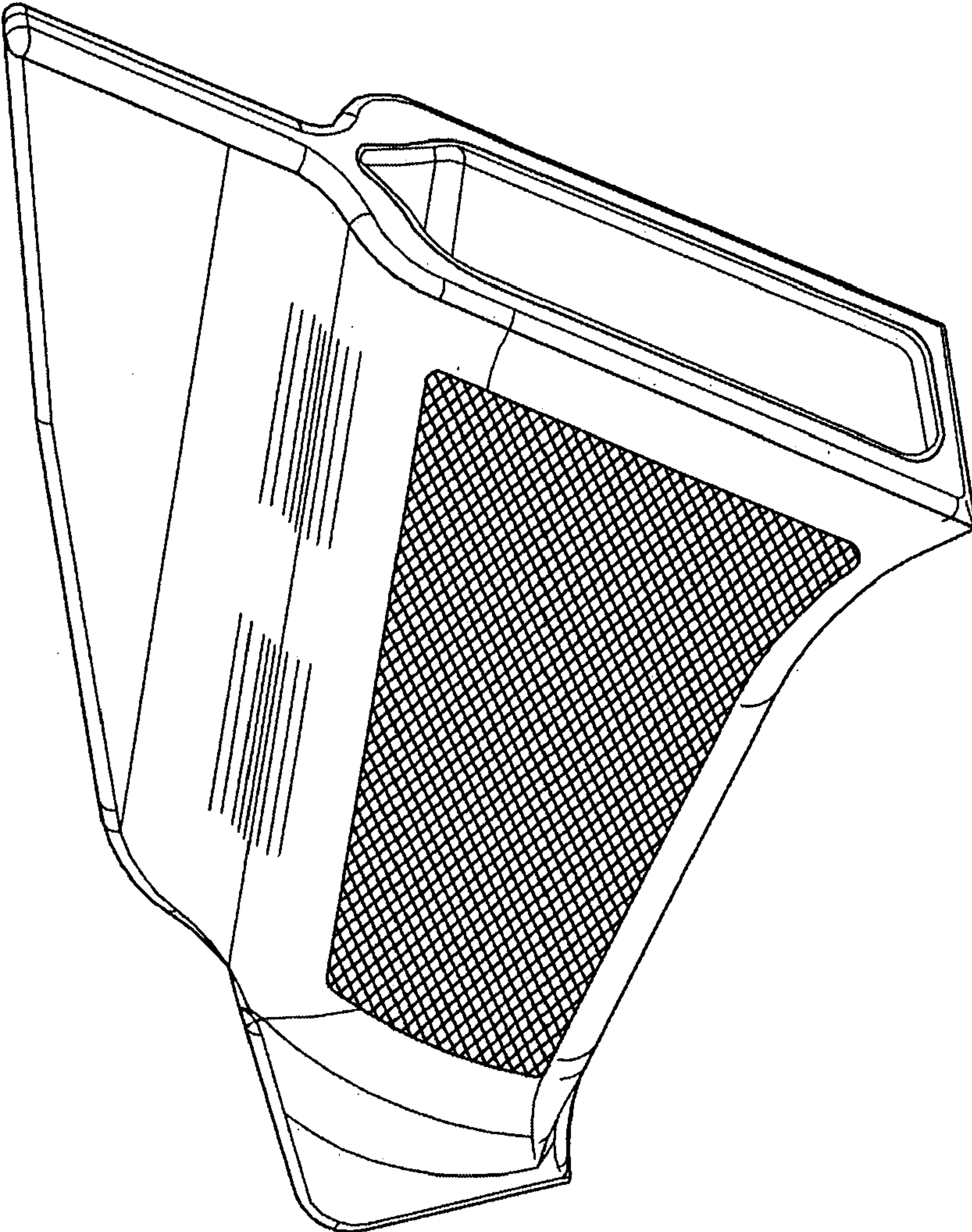


FIG. 7



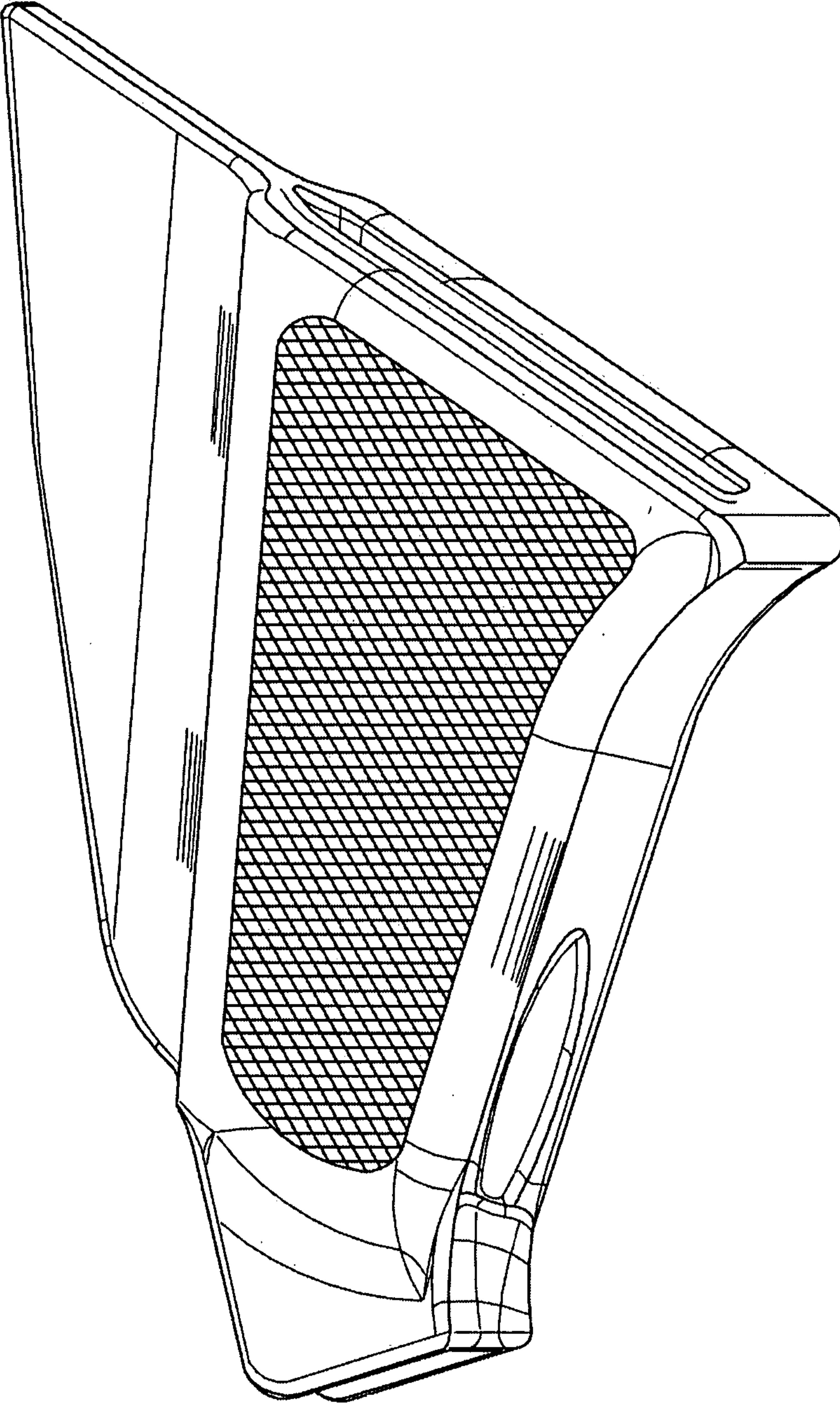


FIG. 8

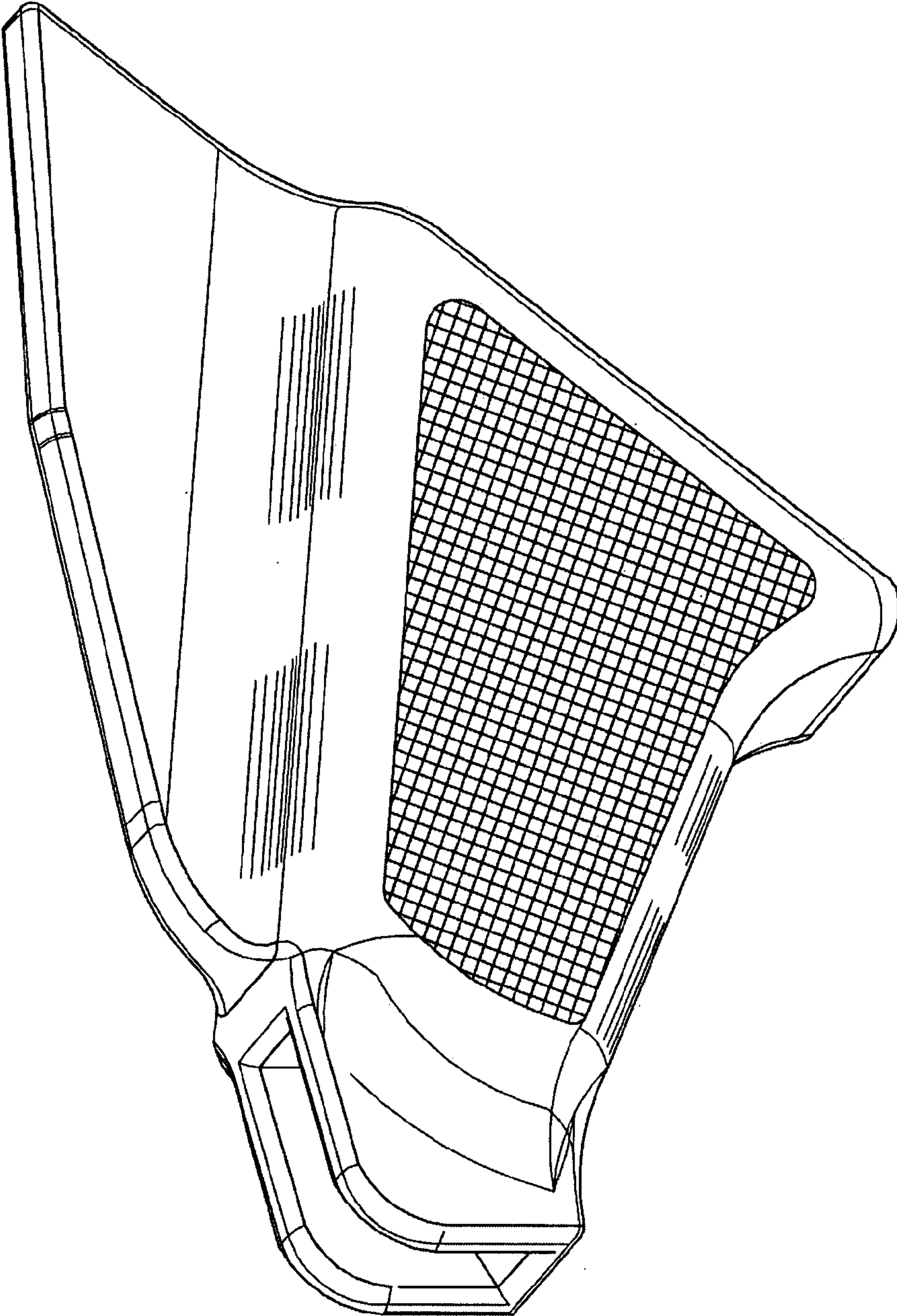


FIG. 9